



US00D939447S

(12) **United States Design Patent**
Young

(10) **Patent No.:** **US D939,447 S**

(45) **Date of Patent:** **** Dec. 28, 2021**

(54) **ELECTRICAL PLUG ADAPTER**

(71) Applicant: **Paul Zeng Universal Supplies, LLC**,
Cheyenne, WY (US)

(72) Inventor: **Michael Young**, Cheyenne, WY (US)

(73) Assignee: **Paul Zeng Universal Supplies, LLC**,
Cheyenne, WY (US)

(**) Term: **15 Years**

(21) Appl. No.: **29/708,790**

(22) Filed: **Oct. 9, 2019**

(51) **LOC (13) Cl.** **13-03**

(52) **U.S. Cl.**
USPC **D13/139.8; D13/137.2**

(58) **Field of Classification Search**
USPC D13/137.1-137.4, 138.1, 138.2,
D13/139.1-139.8, 146, 147, 154, 158,
(Continued)

(56) **References Cited**

U.S. PATENT DOCUMENTS

D281,417 S 11/1985 Guichard
D311,726 S 10/1990 Brown, Jr. et al.
(Continued)

OTHER PUBLICATIONS

Travel Power Strip (World Power Strip w/ USB) by Ceptics.
Amazon. Oldest review date: May 10, 2019. Retrieval date: Mar. 12,
2021. Retrieved from internet: <https://www.amazon.com/Travel-Power-Strip-Ceptics-Protector/dp/B07QY4V7NK> (Year: 2019).*
(Continued)

Primary Examiner — Eric L Goodman

Assistant Examiner — Lee D. Starr

(74) *Attorney, Agent, or Firm* — Schiff Hardin LLP

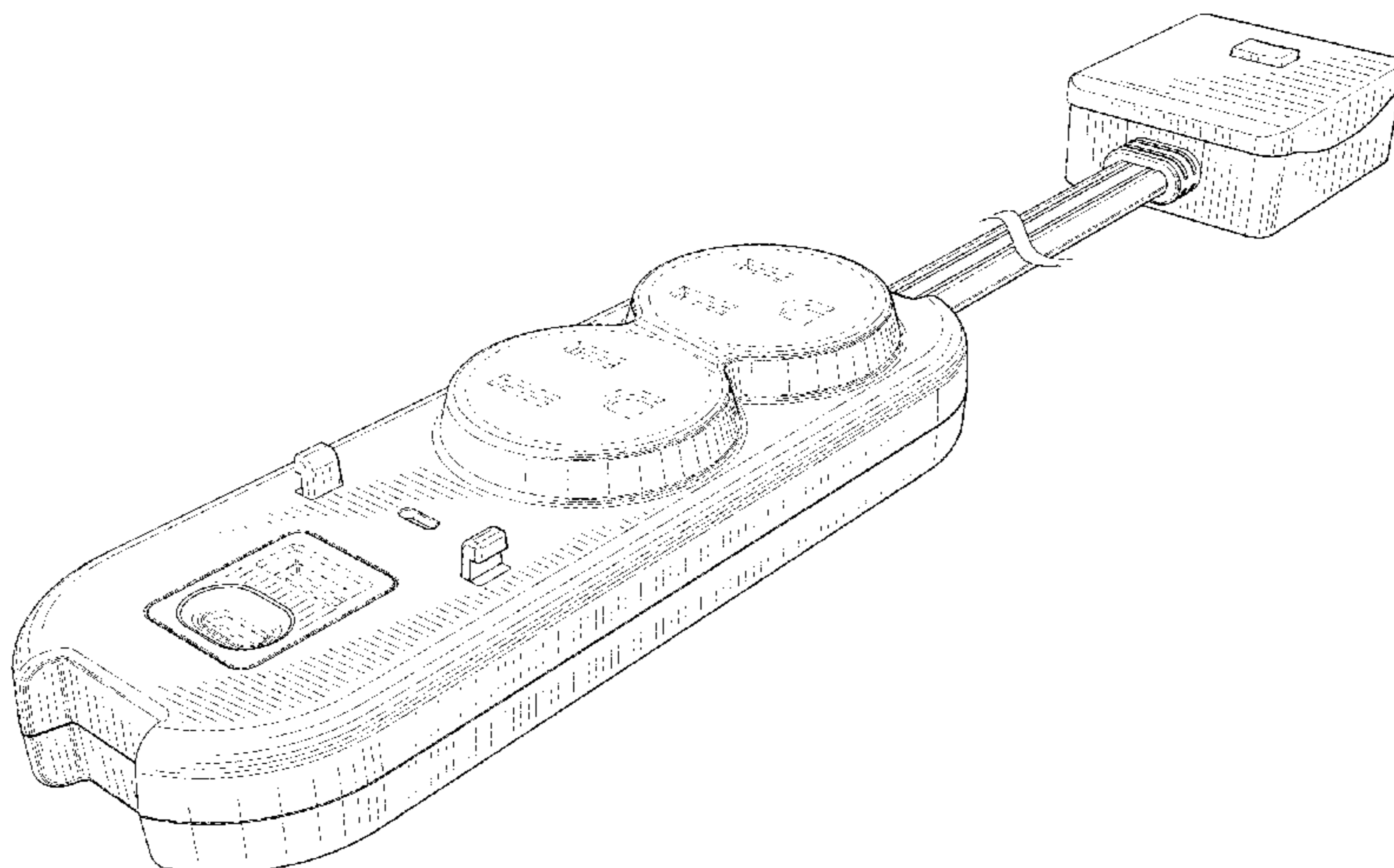
(57) **CLAIM**

The ornamental design for an electrical plug adapter, as shown and described.

DESCRIPTION

FIG. 1 is a front, bottom, right perspective view of an electrical plug adapter showing my new design;
FIG. 2 is a back, top, right perspective view thereof;
FIG. 3 is a front, top, right perspective view thereof;
FIG. 4 is a front elevational view thereof;
FIG. 5 is a back elevational view thereof;
FIG. 6 is a right side elevational view thereof;
FIG. 7 is a left side elevational view thereof;
FIG. 8 is a bottom plan view thereof;
FIG. 9 is a top plan view thereof;
FIG. 10 is a front, top, right perspective view thereof, shown with the receptacle module secured to the base and the cord wrapped along the back of the electrical plug adapter;
FIG. 11 is a back, top, left perspective view thereof, shown with the receptacle module secured to the base and the cord wrapped along the back of the electrical plug adapter;
FIG. 12 is an exploded back, top, right perspective view thereof, shown with an insertable plug;
FIG. 13 is an exploded front, top, right perspective view thereof, shown with an insertable plug;
FIG. 14 is a back, top, right perspective view thereof, shown with an insertable plug in an inserted state;
FIG. 15 is a front, top, right perspective view thereof, shown with an insertable plug in an inserted state;
FIG. 16 is an exploded back, bottom, left perspective view thereof, shown with an insertable plug and an insertable extension cord;
FIG. 17 is an exploded front, top, right perspective view thereof, shown with an insertable plug and an insertable extension cord;
FIG. 18 is a back, bottom, left perspective view thereof, shown with an insertable plug and an insertable extension cord, both in an inserted state; and,
FIG. 19 is a front, top, right perspective view thereof, shown with an insertable plug and an insertable extension cord, both in an inserted state.
The broken lines showing the insertable plug in FIGS. 12-19 and the insertable extension cord in FIGS. 16-19 depict

(Continued)



environmental subject matter that forms no part of the claimed design. All other broken lines depict portions of the electrical plug adapter that form no part of the claimed design.

In FIGS. 1-7 and 12-15, the cord connecting the receptacle module to the base of the electrical plug adapter is shown broken away for illustration purposes. The full length of cord is shown in FIGS. 10, 11, and 16-19.

1 Claim, 16 Drawing Sheets

(58) **Field of Classification Search**

USPC D13/171, 173, 174, 184, 107, 108, 110;
D14/432, 433
CPC .. H01R 13/639; H01R 13/6392; H01R 13/64;
H01R 13/642; H01R 13/648; H01R
13/652; H01R 13/6666; H01R 13/6683;
H01R 13/68; H01R 13/713; H01R 24/20;
H01R 24/22; H01R 24/28; H01R 24/30;
H01R 2103/00; H01R 25/00; H01R
25/003; H01R 25/006; H01R 25/164-167;
H01R 31/06; H01H 2207/22; H05K 5/02;
H05K 5/0247

See application file for complete search history.

(56) **References Cited**

U.S. PATENT DOCUMENTS

5,071,367 A 12/1991 Luu
5,566,053 A 10/1996 Chou
6,574,120 B1 6/2003 Chou
6,589,069 B1 7/2003 Liao
6,722,917 B2 4/2004 Huang
6,848,937 B1 2/2005 Hsiao
7,232,349 B1 6/2007 Chen
D556,689 S * 12/2007 Lee D13/139.1
D568,817 S * 5/2008 Yu D13/139.7
7,911,757 B2 3/2011 Hsu et al.
D680,953 S 4/2013 Kuo

D682,214 S 5/2013 Miller
8,471,718 B1 6/2013 Miller et al.
D735,138 S 7/2015 Miniger et al.
D796,444 S * 9/2017 Xu D13/139.6
D818,446 S 5/2018 Brakeley et al.
10,468,842 B2 11/2019 Sun et al.
D872,021 S 1/2020 Xu
D895,554 S 9/2020 Jianting
10,797,425 B1 * 10/2020 Young H01R 13/35
D910,573 S * 2/2021 Miller D13/139.8
2005/0025574 A1 2/2005 Lazes
2008/0009043 A1 1/2008 Yoo et al.
2008/0090434 A1 * 4/2008 Lin H01R 13/72
439/131
2010/0027951 A1 2/2010 Bookbinder et al.
2014/0009406 A1 1/2014 Guard et al.
2020/0007611 A1 1/2020 Levinson et al.
2020/0009174 A1 1/2020 Li et al.

OTHER PUBLICATIONS

Ultra Compact World Travel Strip by Ceptics. Youtube. Posting date: May 13, 2019. Retrieval date: Mar. 12, 2021. Retrieved from internet: <https://www.youtube.com/watch?v=F9-tBhYOIRo> (Year: 2019).*

Compact Travel Power Strip by JSVER. Amazon. Oldest review date: Oct. 1, 2016. Retrieval date: Mar. 17, 2021. Retrieved from internet: <https://www.amazon.com/JSVER-Compact-Travel-Charging-Station/dp/B01IQUPRP8> (Year: 2016).

World Travel Plug Adapter M8 Max by OREI. Amazon. Oldest review date: Jul. 20, 2019. Retrieval date: Mar. 17, 2021. Retrieved from internet: <https://www.amazon.com/World-Travel-Plug-Adapter-Orei/dp/B07R3FD5RH> (Year 2019).

World Travel Plug Adapter M8 Max by OREI. Youtube. Posting date: Jun. 4, 2019. Retrieval date: Mar. 17, 2021. Retrieved from internet: <https://www.youtube.com/watch?v=e8j3bkPTffs> (Year: 2019).

Mini 2 Outlets 5 USB Charger Ports Travel Power Strip by Zettaguard. Ebay. Posting date: Dec. 6, 2016. Retrieval date: Mar. 17, 2021. Retrieved from internet: <https://www.ebay.com/itm/Zettaguard-Mini-2-Outlets-5-USB-Charger-Ports-Travel-Power-Strip-Surge-Protector-/112228631886> (Year: 2016).

* cited by examiner

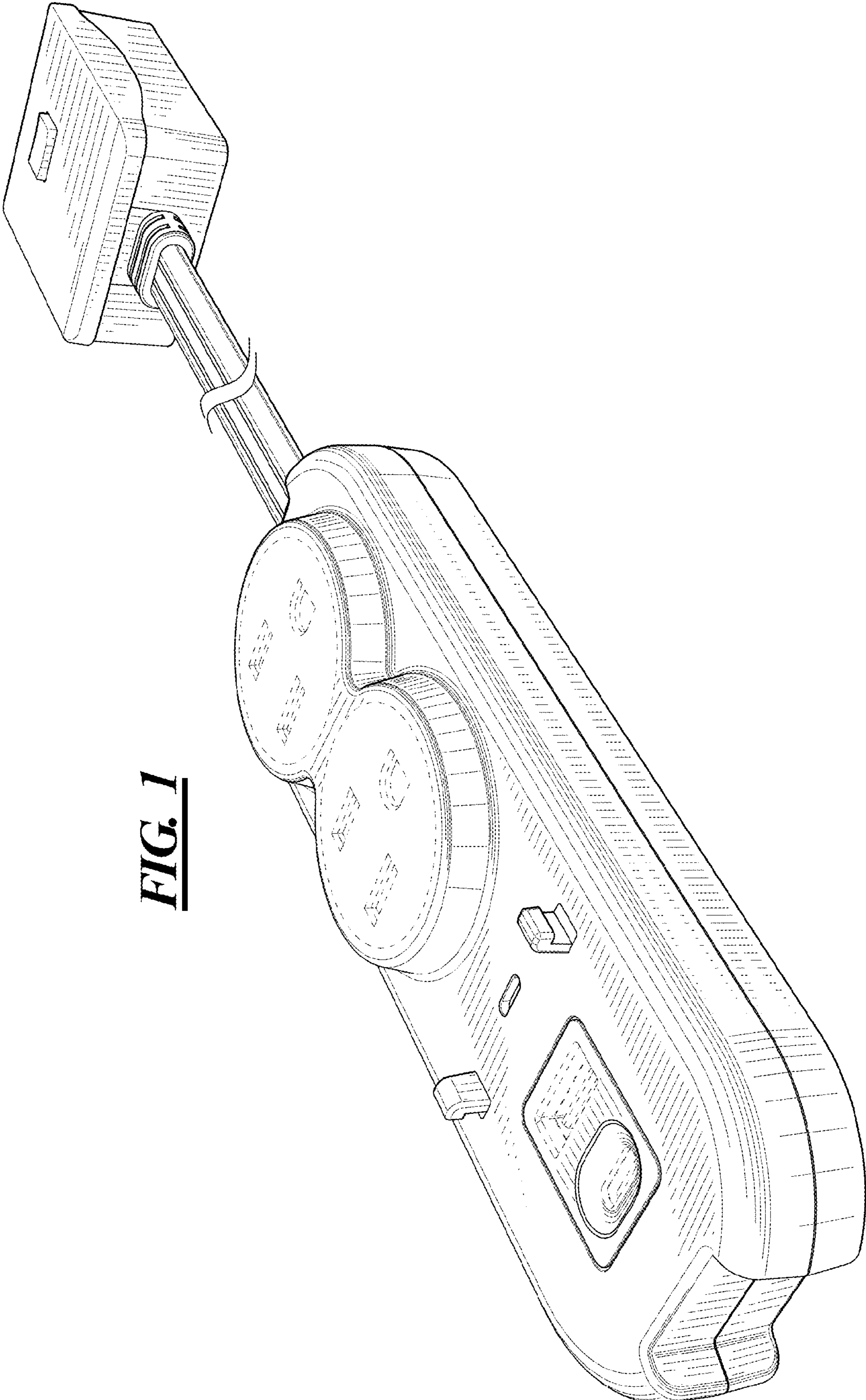


FIG. 1

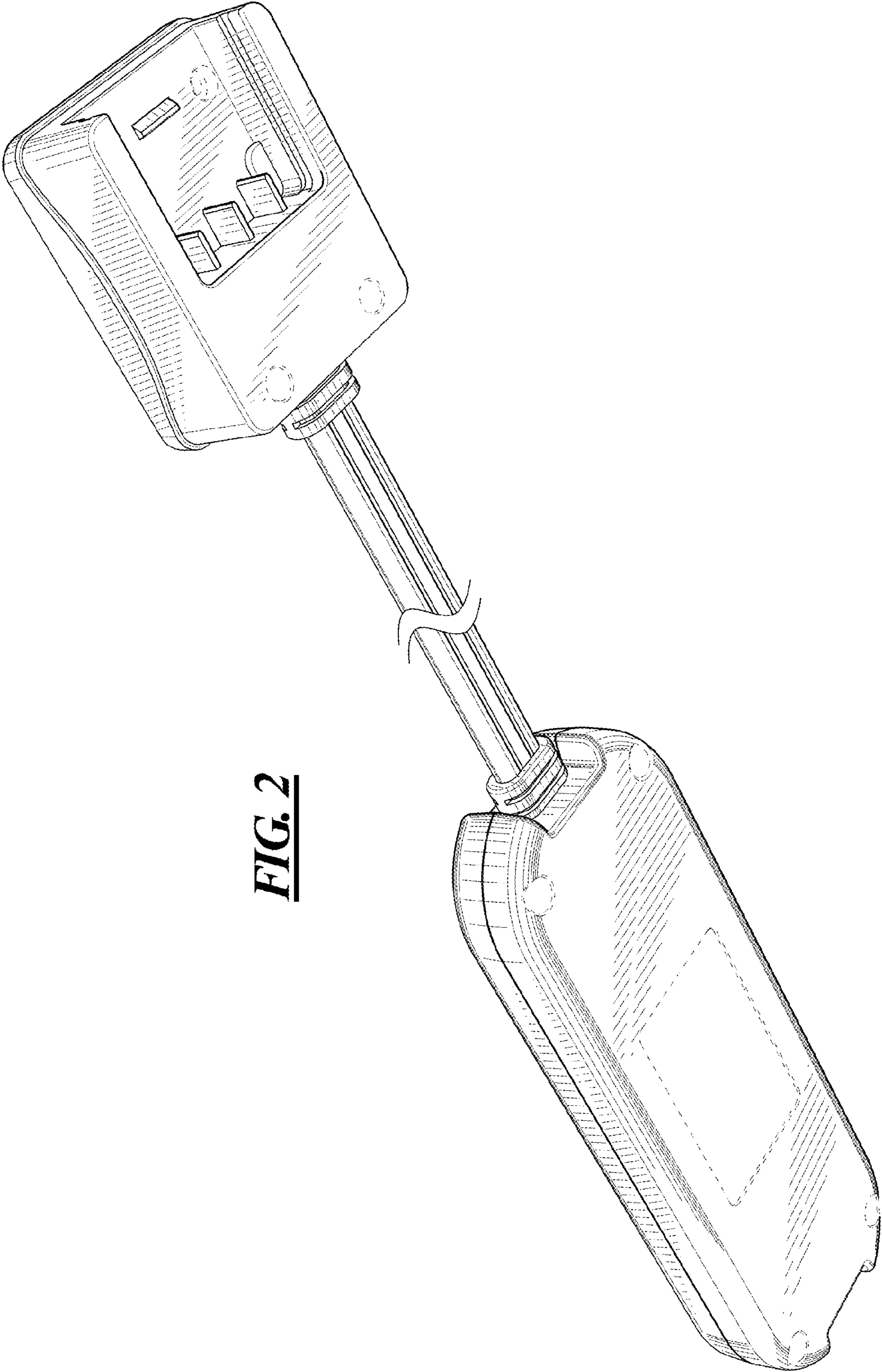


FIG. 2

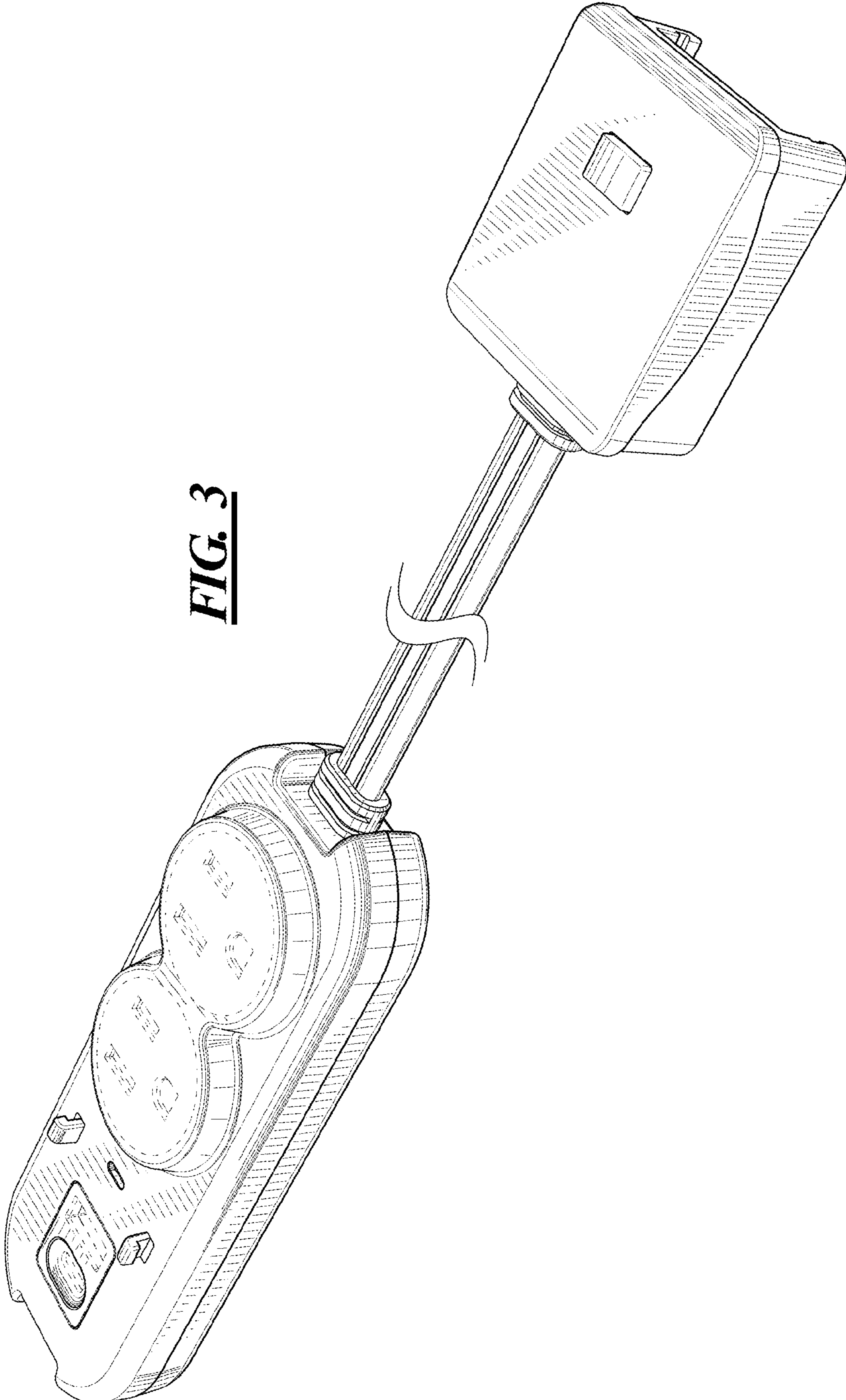


FIG. 3

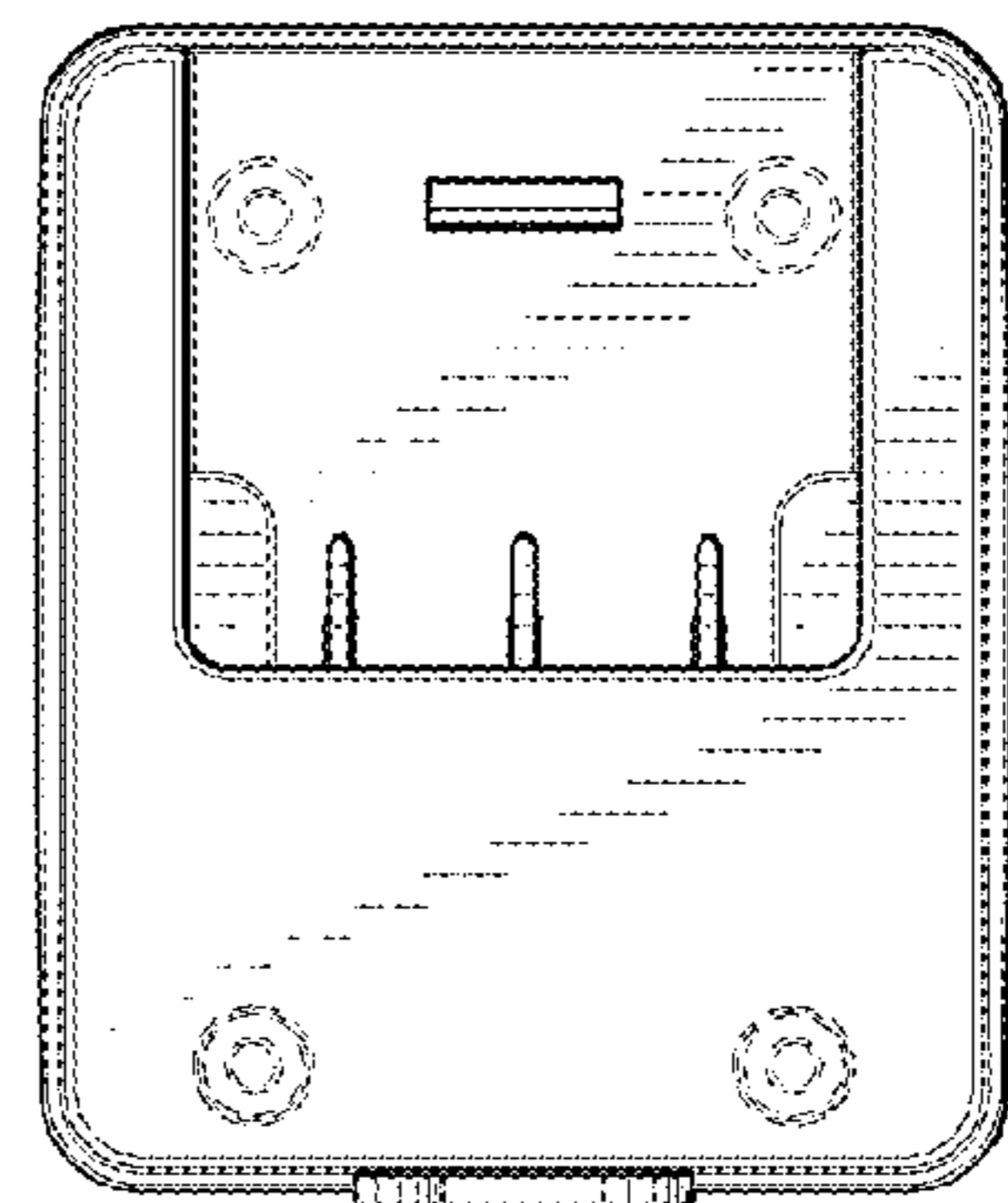
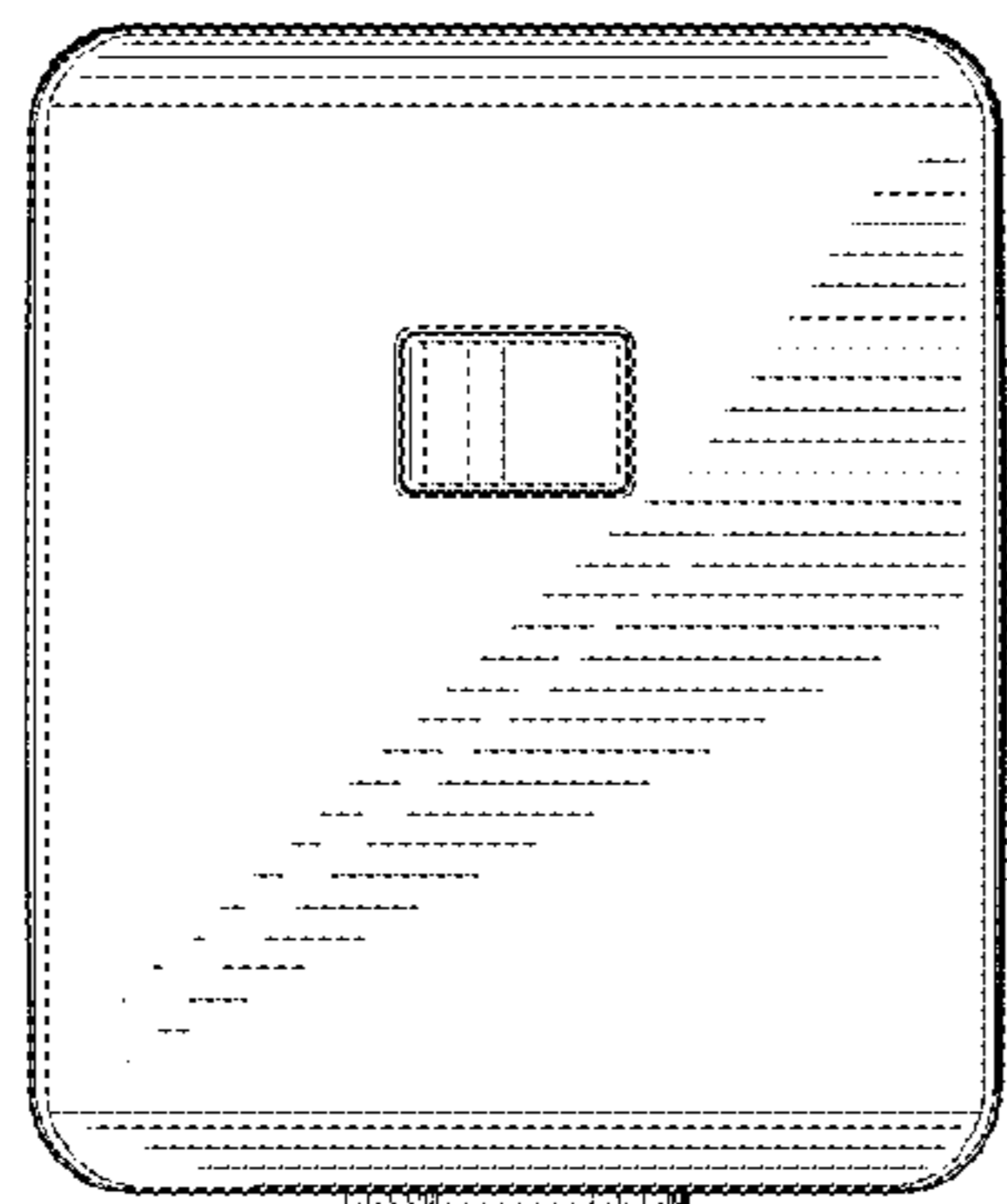


FIG. 4

FIG. 5

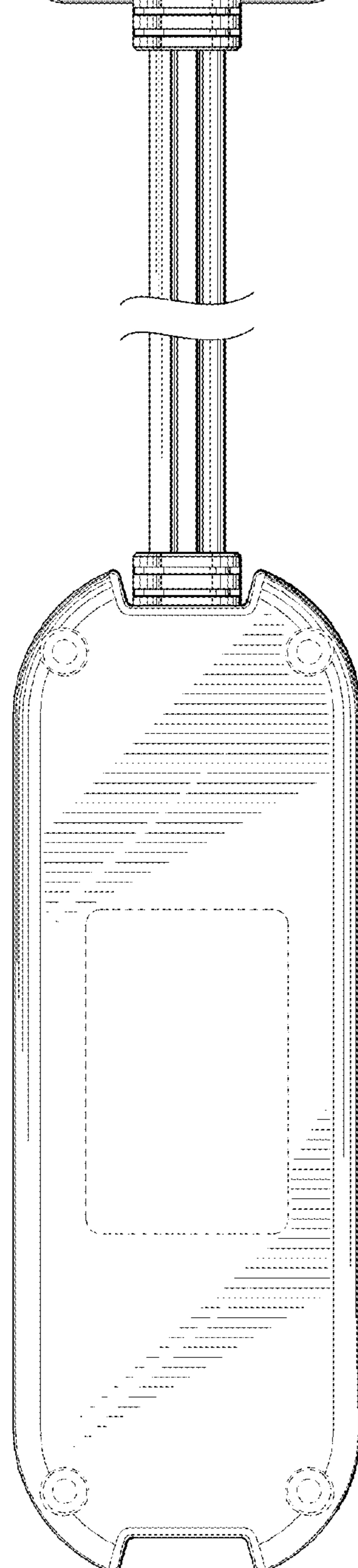
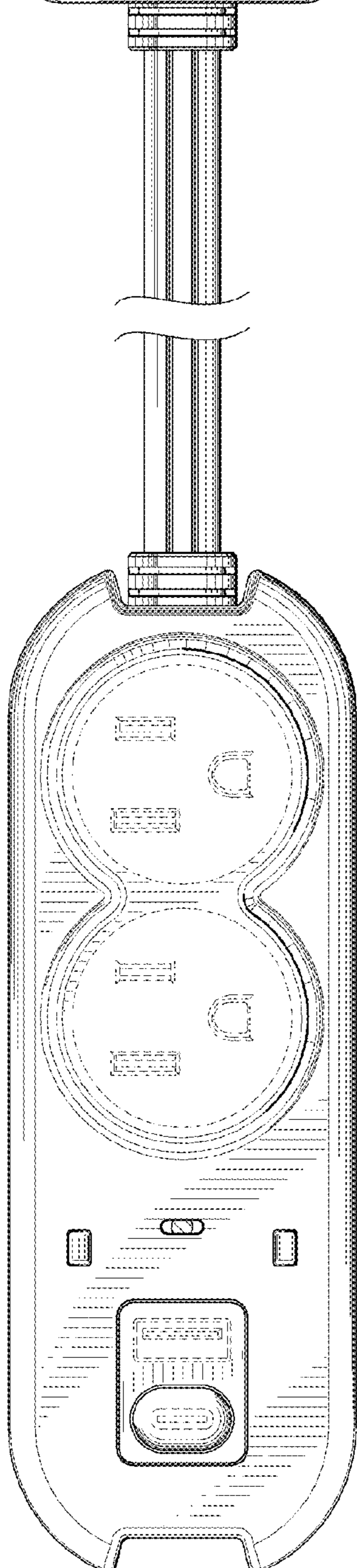


FIG. 6

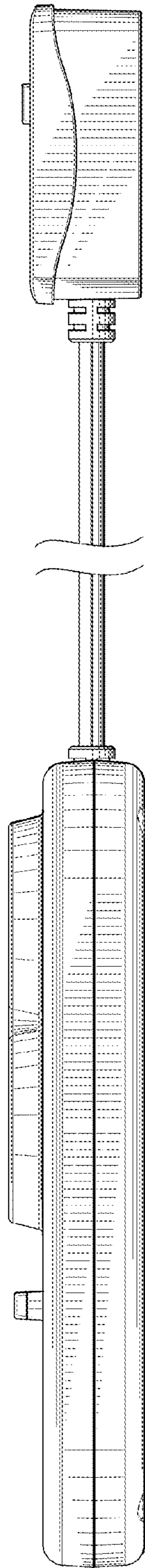


FIG. 7

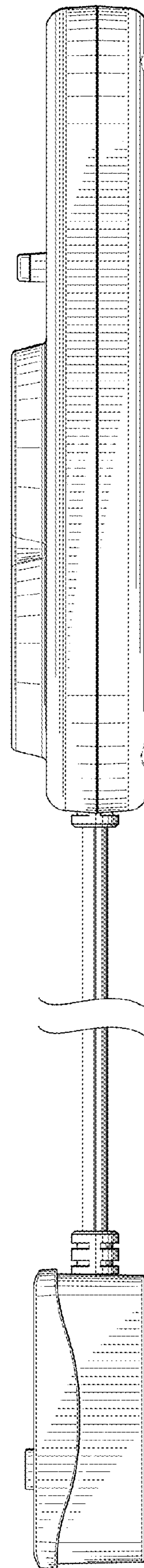


FIG. 9

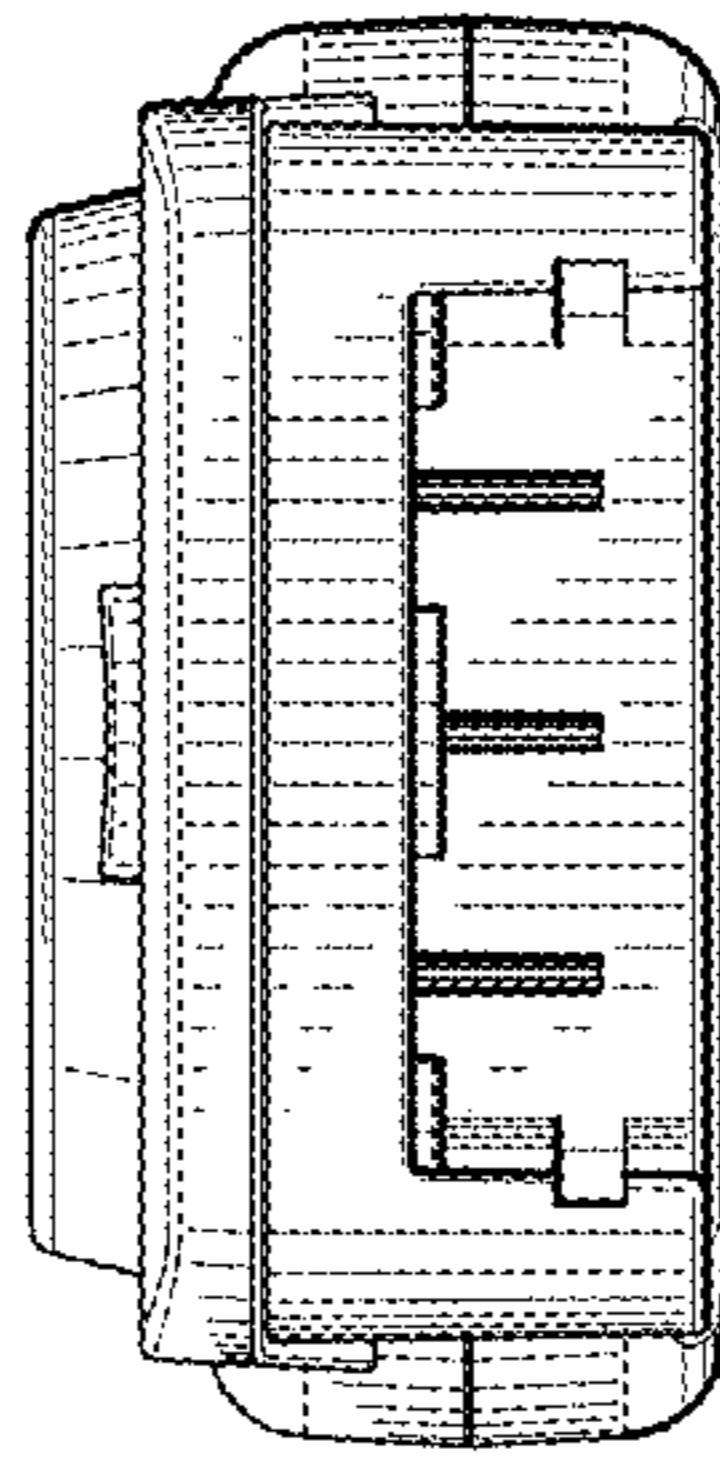


FIG. 8

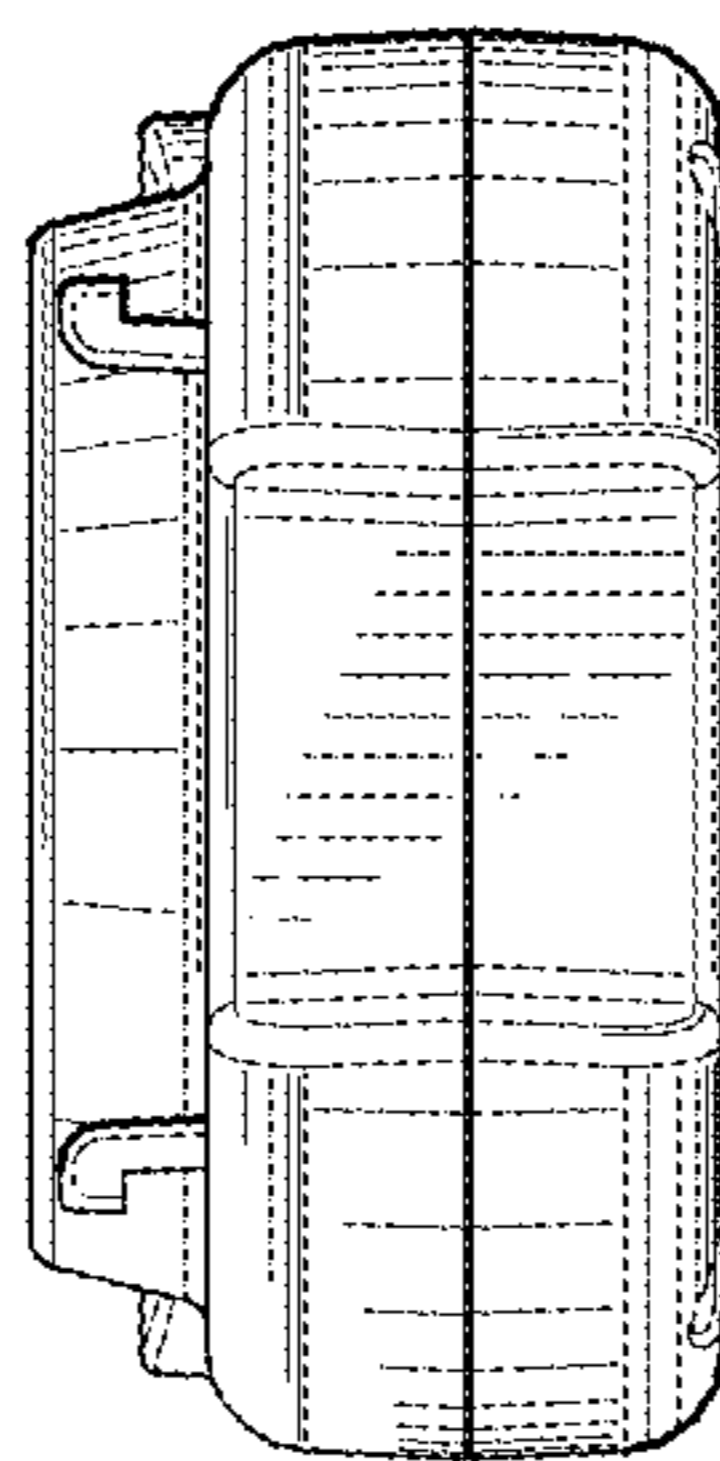


FIG. 10

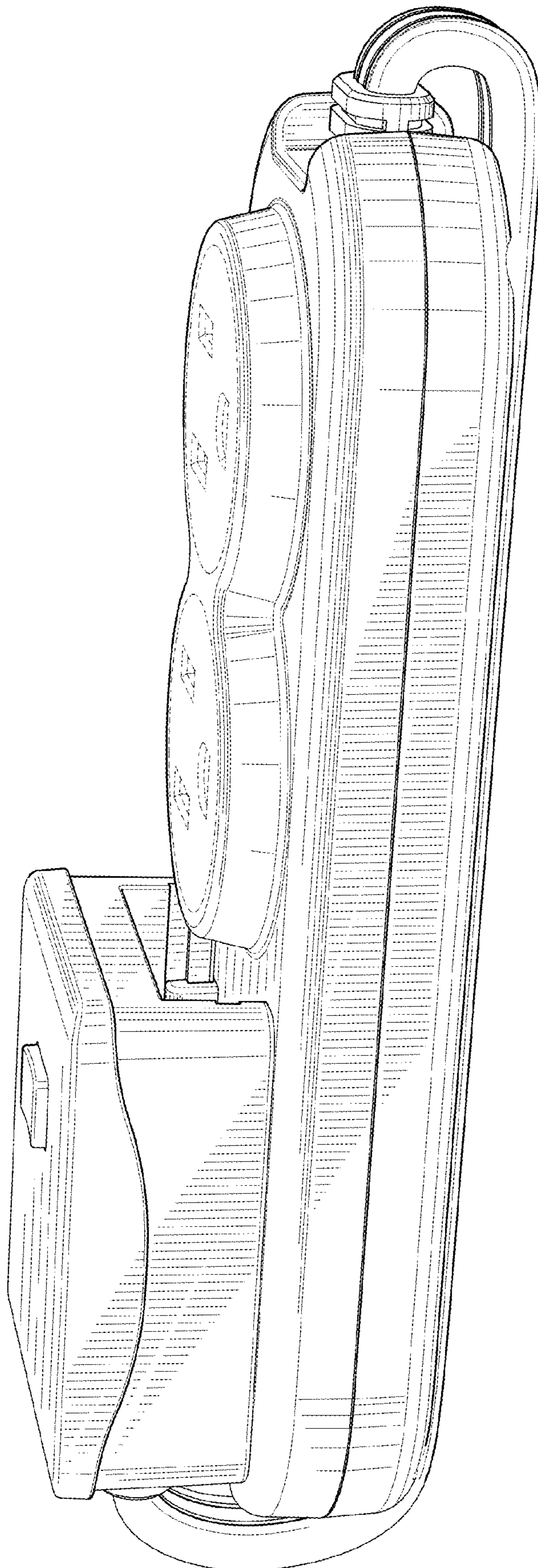
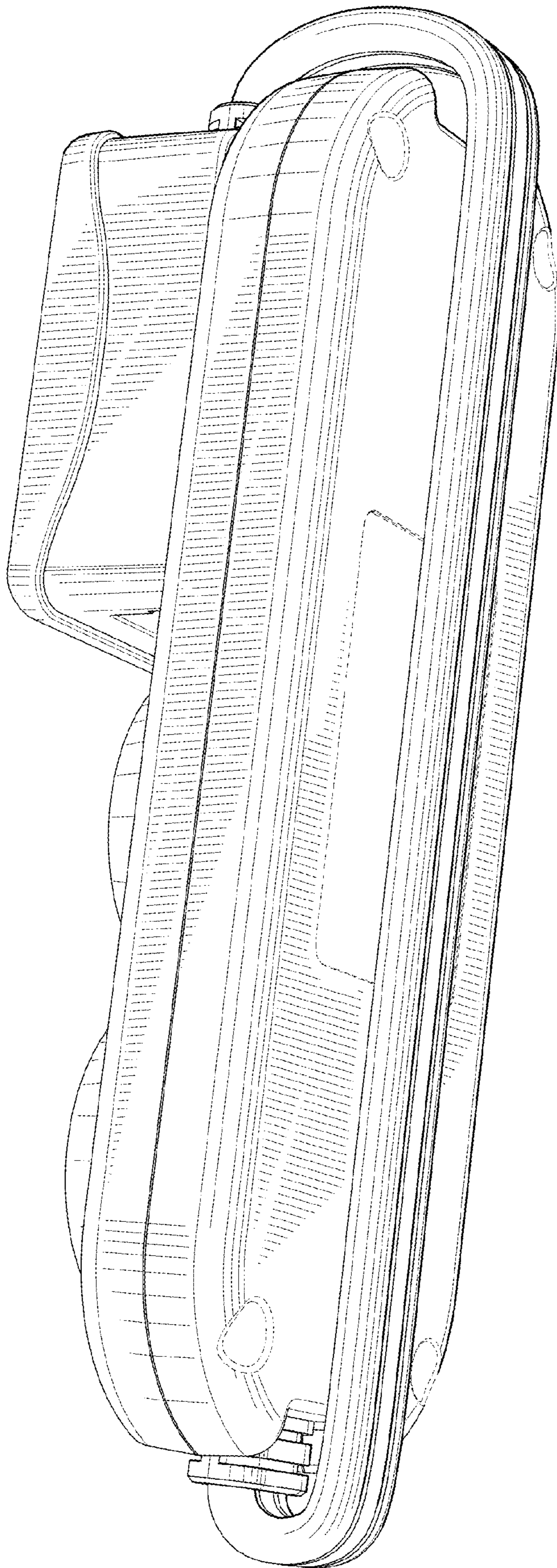


FIG. 11



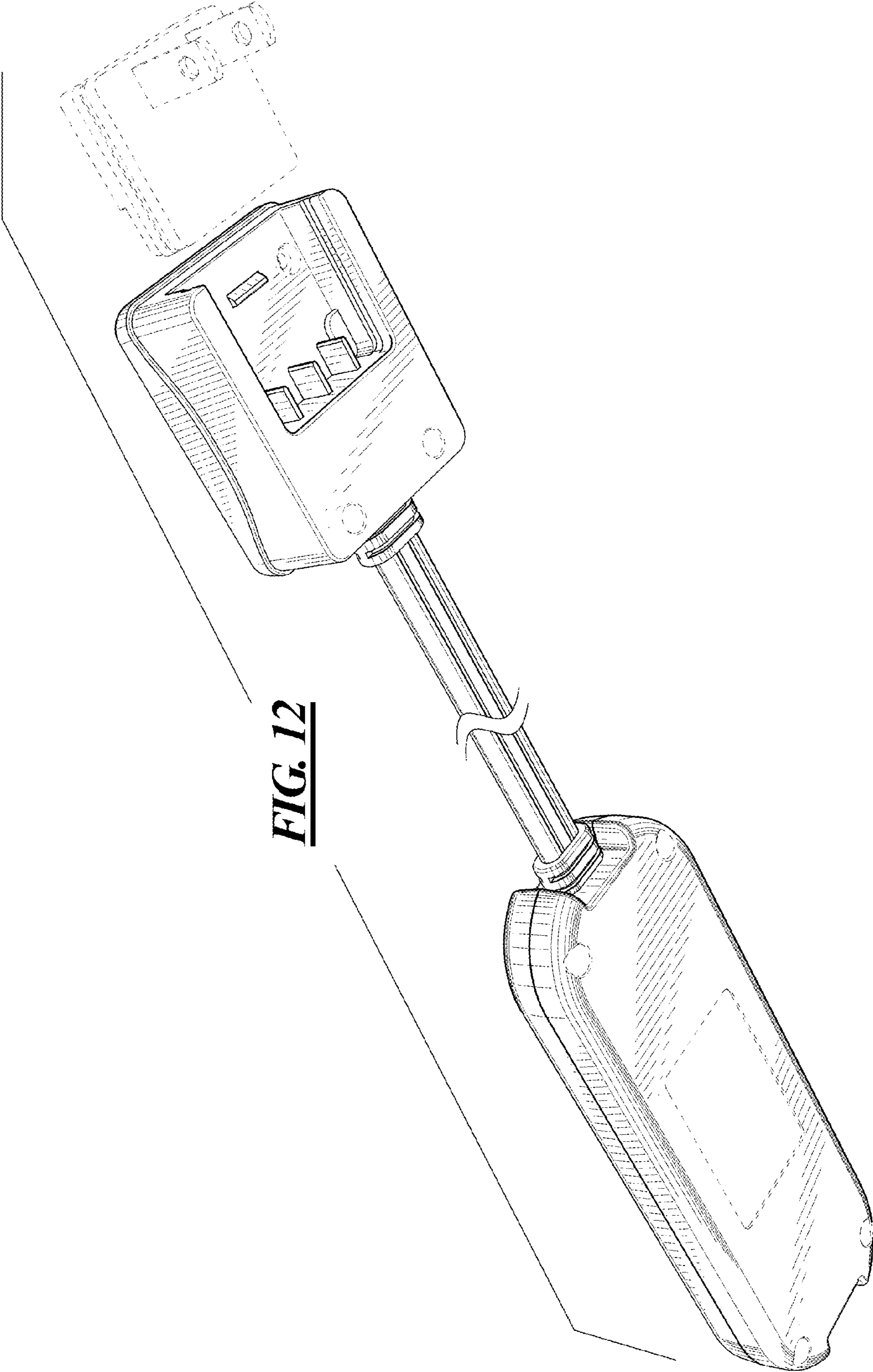


FIG. 12

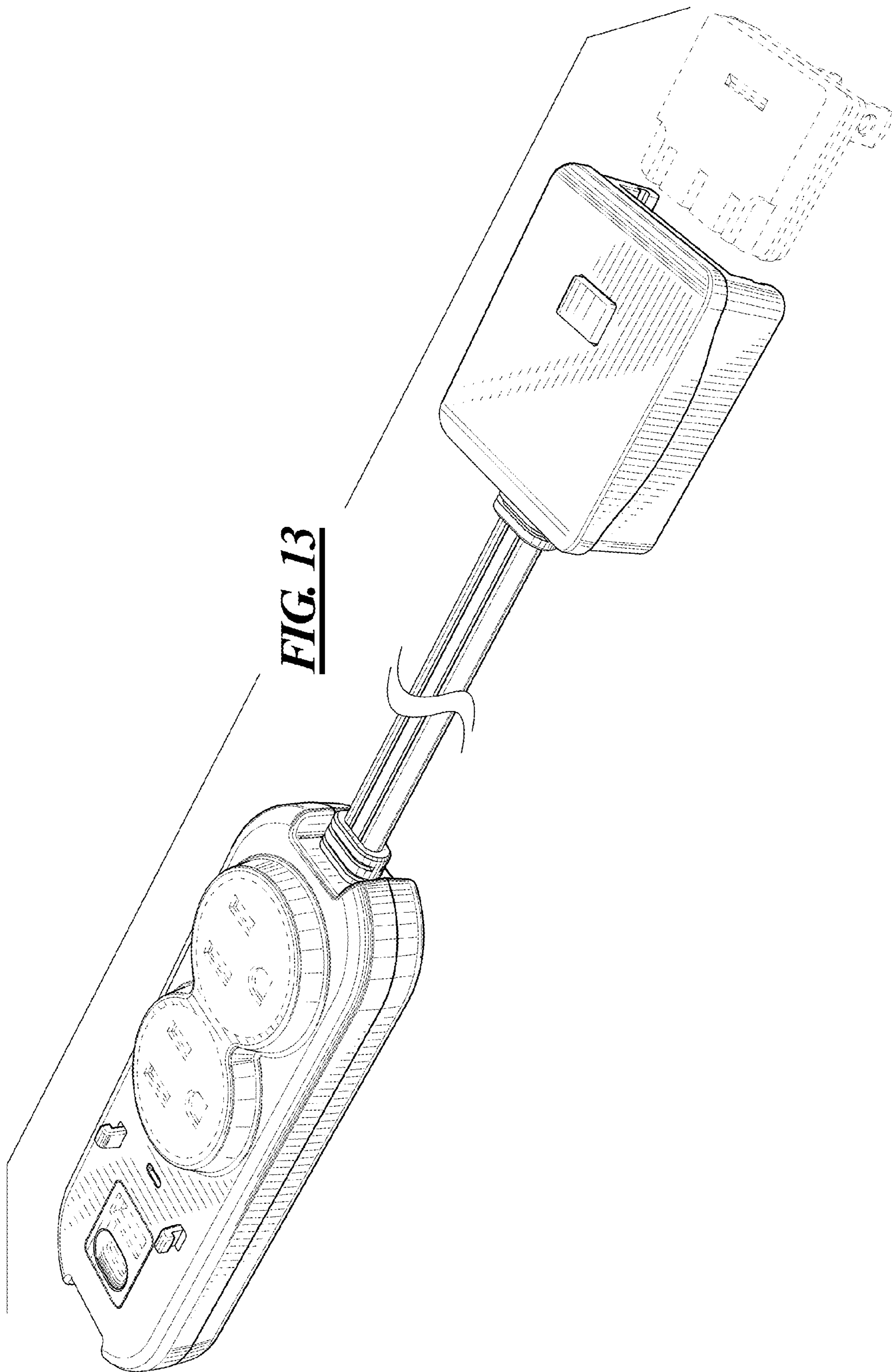


FIG. 13

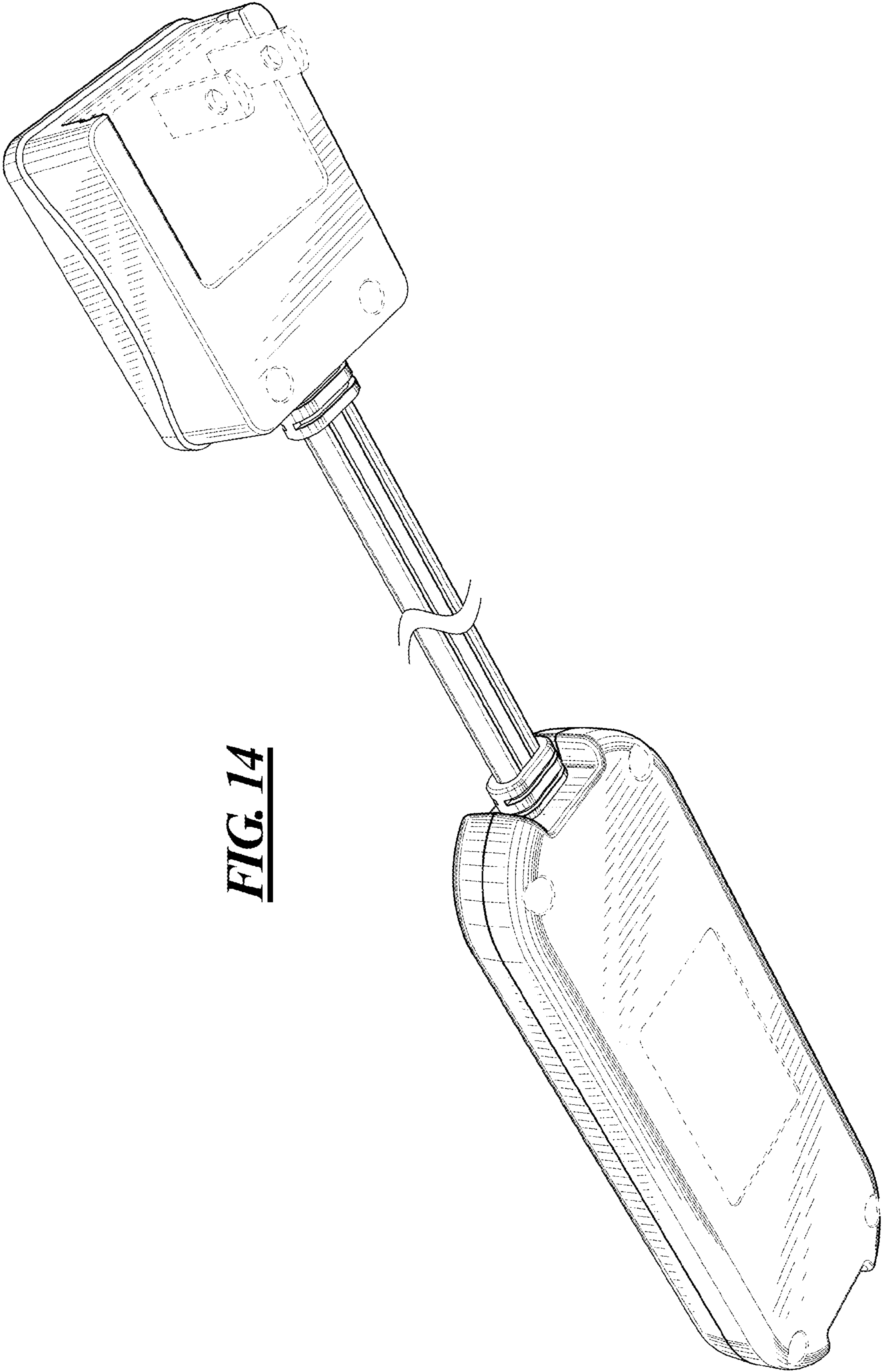


FIG. 14

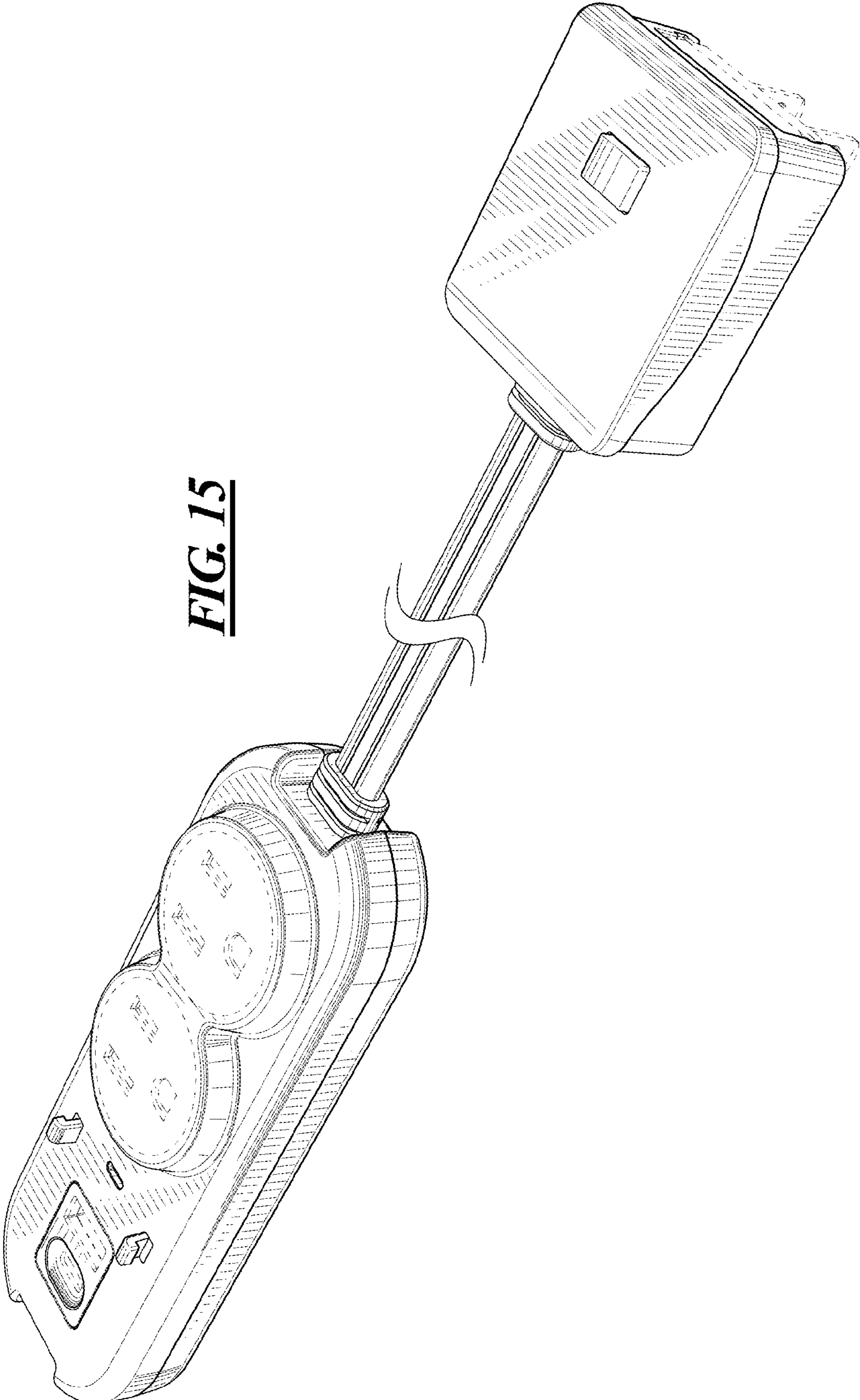


FIG. 15

FIG. 16

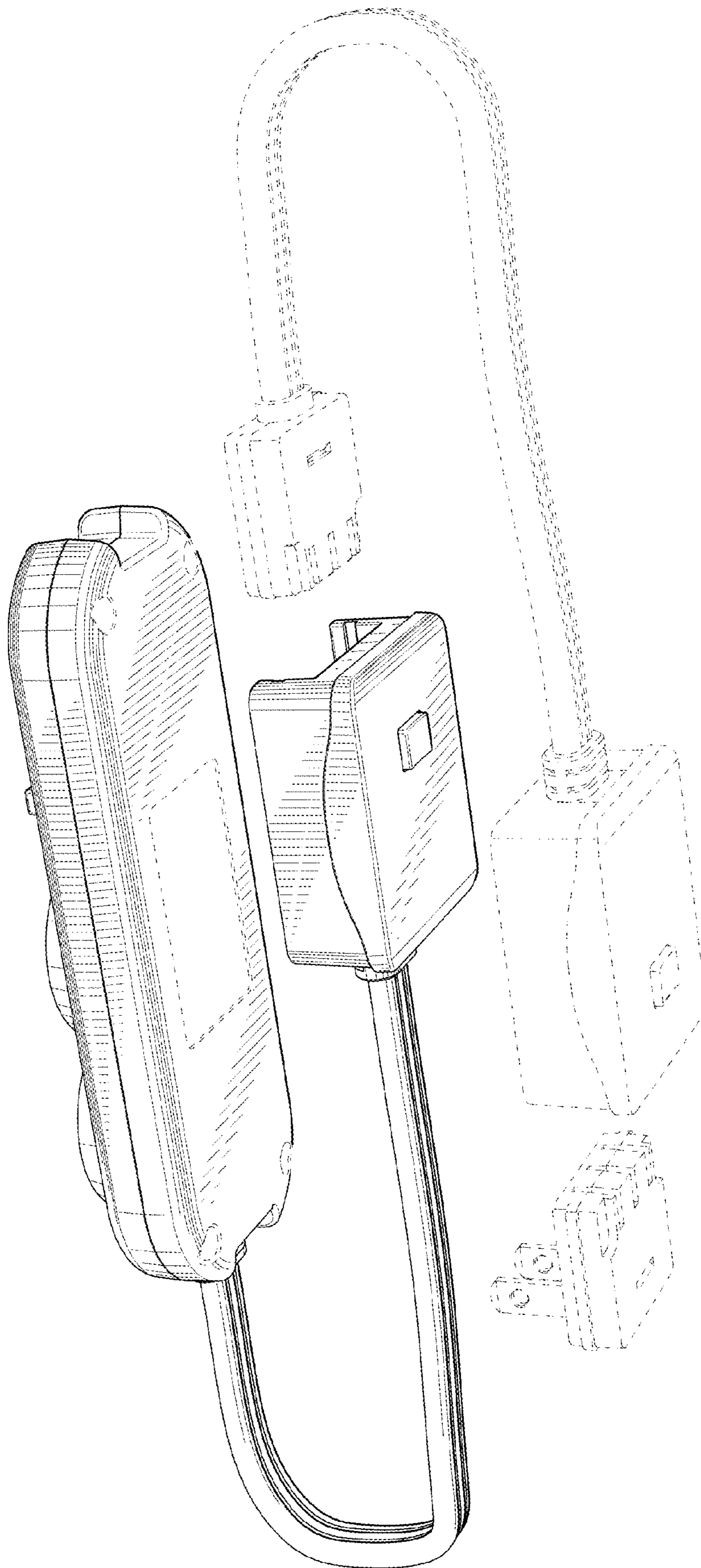


FIG. 17

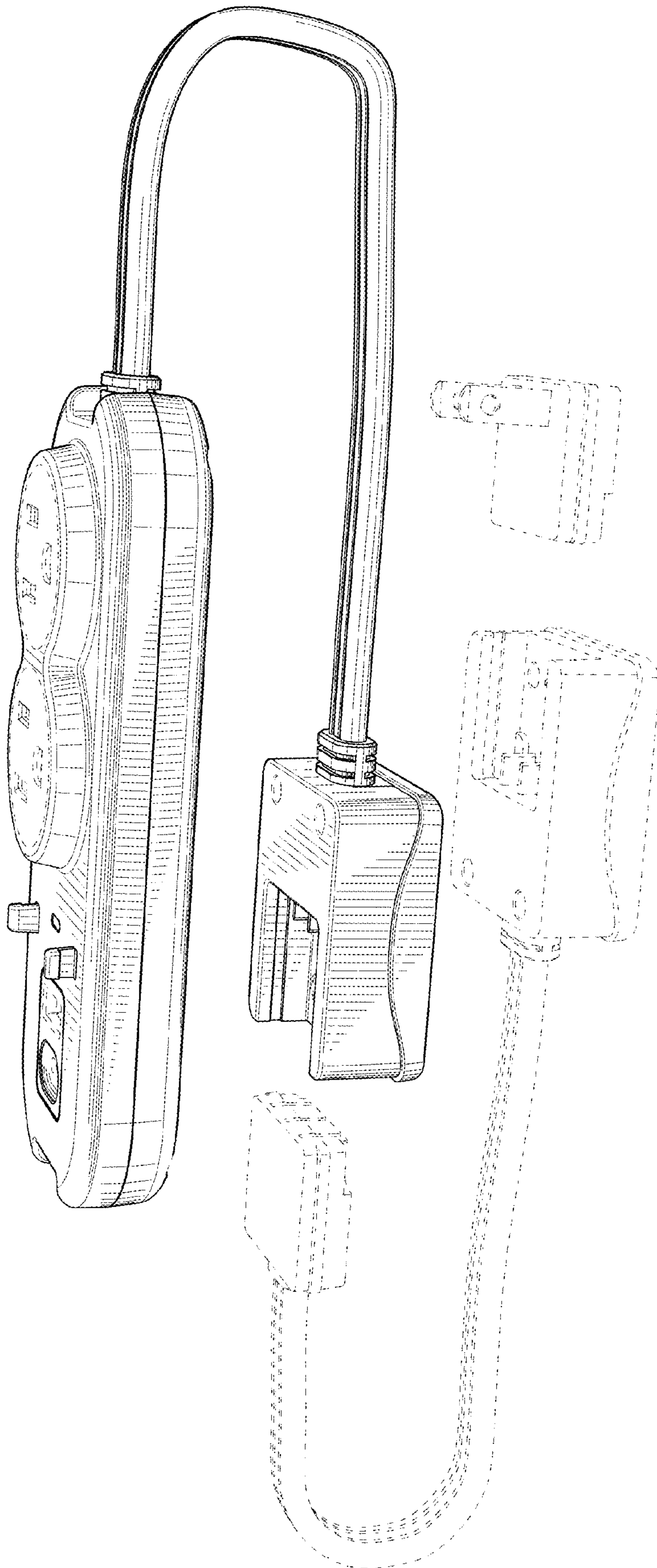


FIG. 18

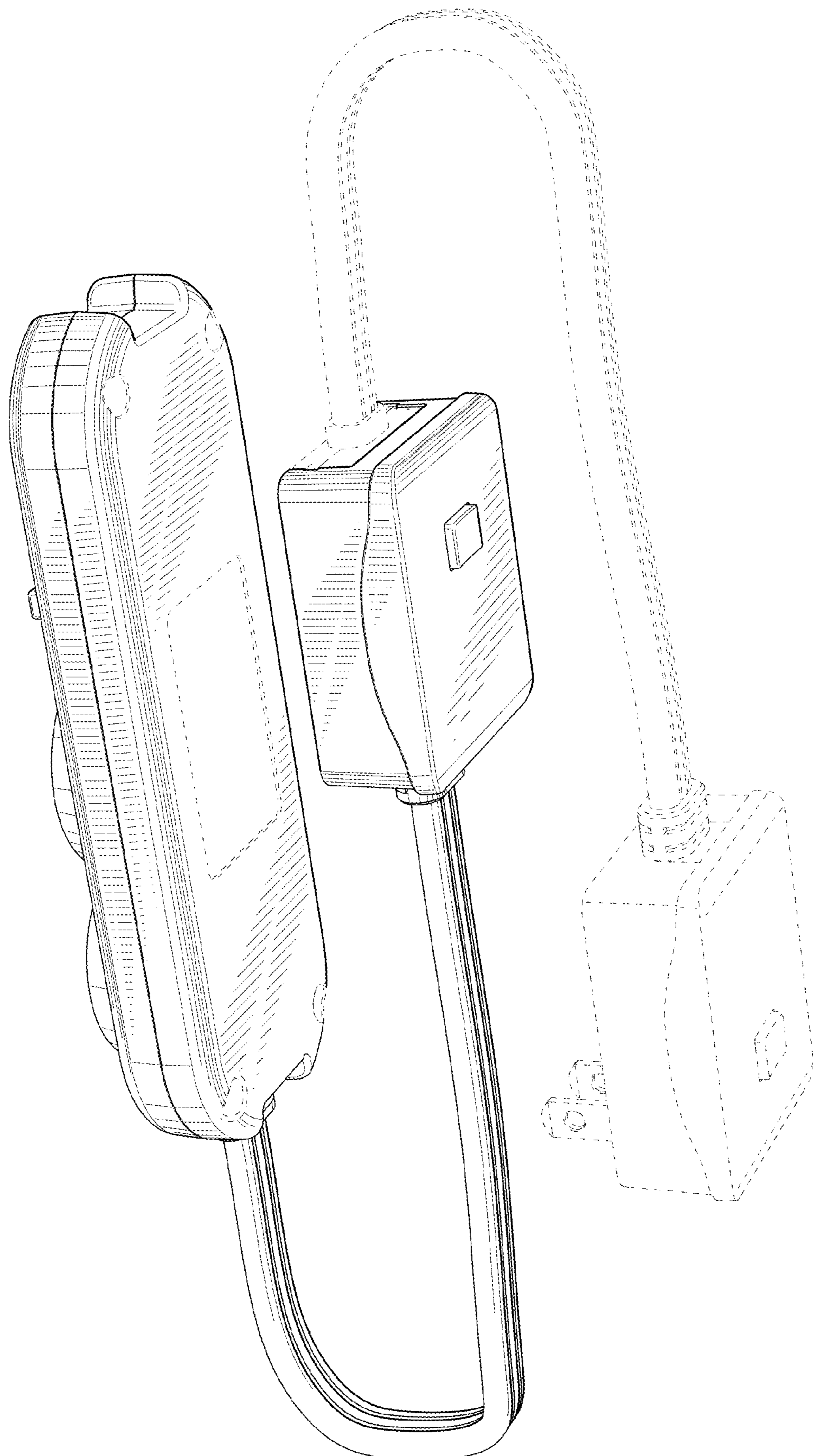


FIG. 19

