



US00D939446S

(12) **United States Design Patent** (10) **Patent No.:** **US D939,446 S**  
**Molaie Shargh** (45) **Date of Patent:** **\*\* Dec. 28, 2021**

(54) **SMART PLUG**  
(71) Applicant: **Hampton Products International Corporation**, Foothill Ranch, CA (US)

D861,613 S \* 10/2019 Dai ..... D13/137.2  
D867,996 S \* 11/2019 Chen ..... D13/137.2  
D869,398 S \* 12/2019 Wang ..... D13/137.3

(Continued)

(72) Inventor: **Hossein Molaie Shargh**, Foothill Ranch, CA (US)

FOREIGN PATENT DOCUMENTS

CN 306541172 \* 5/2021  
CN 306541173 \* 5/2021

(73) Assignee: **HAMPTON PRODUCTS INTERNATIONAL CORPORATION**, Foothill Ranch, CA (US)

OTHER PUBLICATIONS

“Feit Electric Indoor Wi-Fi Smart Plug”, first accessed Oct. 26, 2021. Menards.com [https://www.menards.com/main/electrical/electrical-cords-surge-protectors/outlet-adapters/feit-electric-indoor-wi-fi-smart-plug/smartplug-ind/p-1560494221678-c-6483.htm] (Year: 2021).\*

(Continued)

(\*\*) Term: **15 Years**

*Primary Examiner* — Rosemary K Tarcza  
*Assistant Examiner* — Seth David Kumpf

(21) Appl. No.: **29/740,359**

(22) Filed: **Jul. 2, 2020**

(51) **LOC (13) Cl.** ..... **13-03**

(52) **U.S. Cl.**  
USPC ..... **D13/137.2**

(58) **Field of Classification Search**  
USPC ..... D13/137.1, 137.2, 137.3, 137.4, 138.1, D13/138.2, 139.1, 139.2, 139.7, 139.8, D13/184, 103, 107, 199, 108, 110, 119, D13/123, 133, 139.3, 139.5, 139.6, 152, D13/145, 153, 154, 156, 158, 160, 162, D13/177; D14/433, 434  
CPC ..... H01R 13/00; H01R 13/04; H01R 13/10; H01R 13/665; H01R 13/6666; H01R 13/6676; H01R 13/7135; H01R 25/00; H01R 25/006; H01R 9/00; H01R 11/00; H02H 3/33; H02H 3/162; H01H 2207/00; H01H 2207/022; H01H 2203/00; H05K 5/00; H05K 5/03

See application file for complete search history.

(57) **CLAIM**

The ornamental design for a smart plug, as shown and described.

**DESCRIPTION**

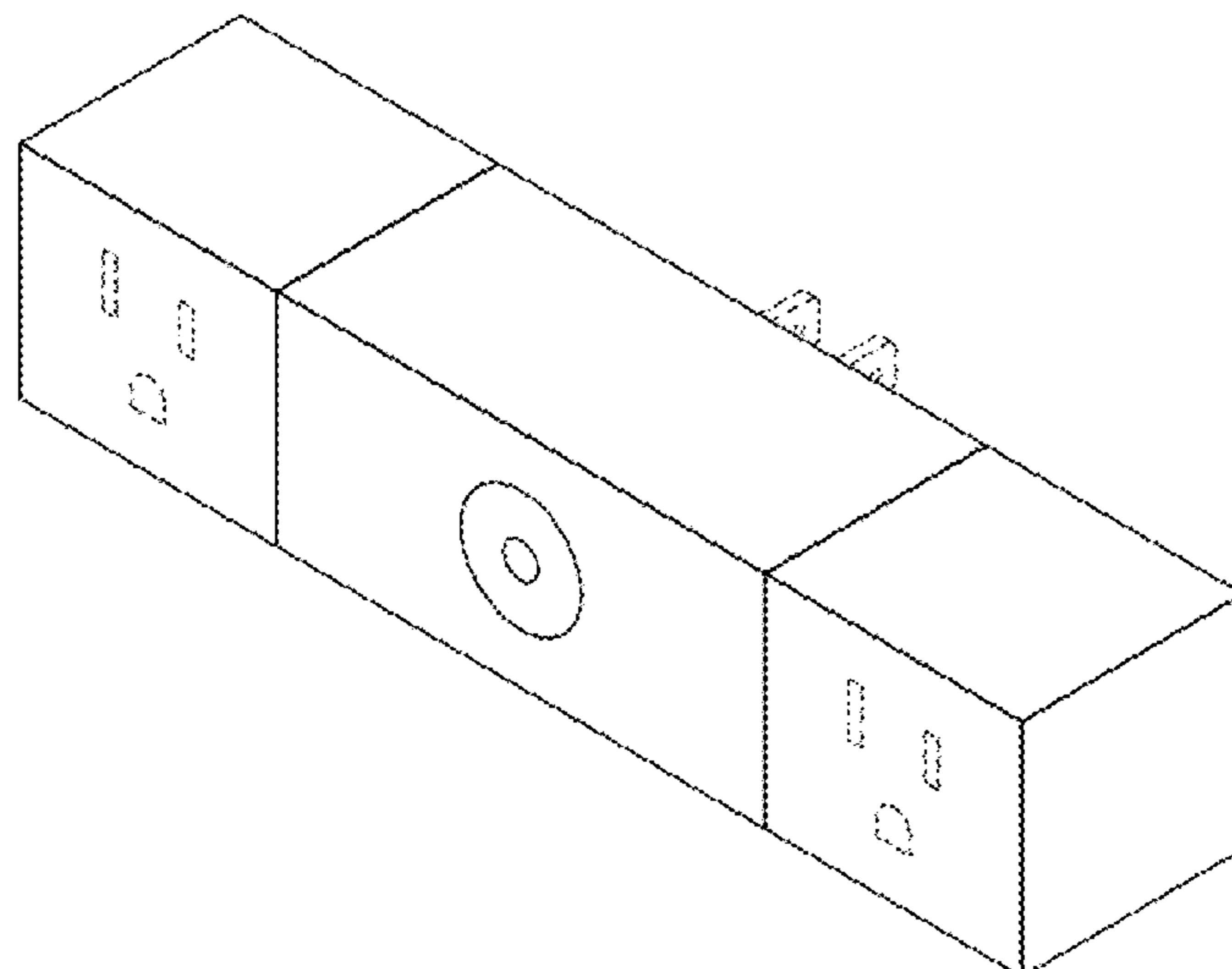
FIG. 1 is a perspective view of a smart plug showing my new design;  
FIG. 2 is a front elevational view thereof;  
FIG. 3 is a rear elevational view thereof;  
FIG. 4 is a left side elevational view thereof;  
FIG. 5 is a right side elevational view thereof;  
FIG. 6 is a top plan view thereof;  
FIG. 7 is a bottom plan view thereof; and,  
FIG. 8 is another perspective view thereof shown with a left-side receptacle of the smart plug rotated ninety degrees in one direction and a right-side receptacle of the smart plug rotated ninety degrees in another direction.  
The broken lines in the drawings depict portions of the smart plug that form no part of the claimed design.

(56) **References Cited**

U.S. PATENT DOCUMENTS

D442,550 S \* 5/2001 Tong ..... D13/137.2  
D845,900 S \* 4/2019 Liu ..... D13/137.2  
D851,597 S \* 6/2019 Ding ..... D13/137.2  
D852,140 S \* 6/2019 Chen ..... D13/137.2

**1 Claim, 5 Drawing Sheets**



(56)

**References Cited**

U.S. PATENT DOCUMENTS

D872,695 S \* 1/2020 Bo ..... D13/137.2  
D874,403 S \* 2/2020 Canizares ..... D13/137.2  
D902,864 S \* 11/2020 Turksu ..... D13/139.1  
2009/0291595 A1 \* 11/2009 Ruiz De Olano ..... H02G 3/105  
439/625

OTHER PUBLICATIONS

“GE 3-Outlet Extender Wall Tap, Grounded Adapter Plug, Indoor Rated, 3-Prong, Perfect for Travel, UL Listed, White, 52203”, first available Aug. 29, 2002. Amazon.com [<https://www.amazon.com/GE-Adapter-Grounded-Outlets-52203/dp/B00006IBFC>] (Year: 2002).\*

“HBN Smart Plug 15A, WiFi&Bluetooth Outlet Extender Dual Socket Plugs Works with Alexa, Google Home Assistant, Remote Control with Timer Function, No Hub Required, ETL Certified, 2.4G WiFi Only, 1-Pack”, first available Dec. 16, 2019. Amazon.com [<https://www.amazon.com/HBN-Individual-Grounded-Compatible-Assistant/dp/B082T4D8BC>] (Year: 2019).\*

\* cited by examiner

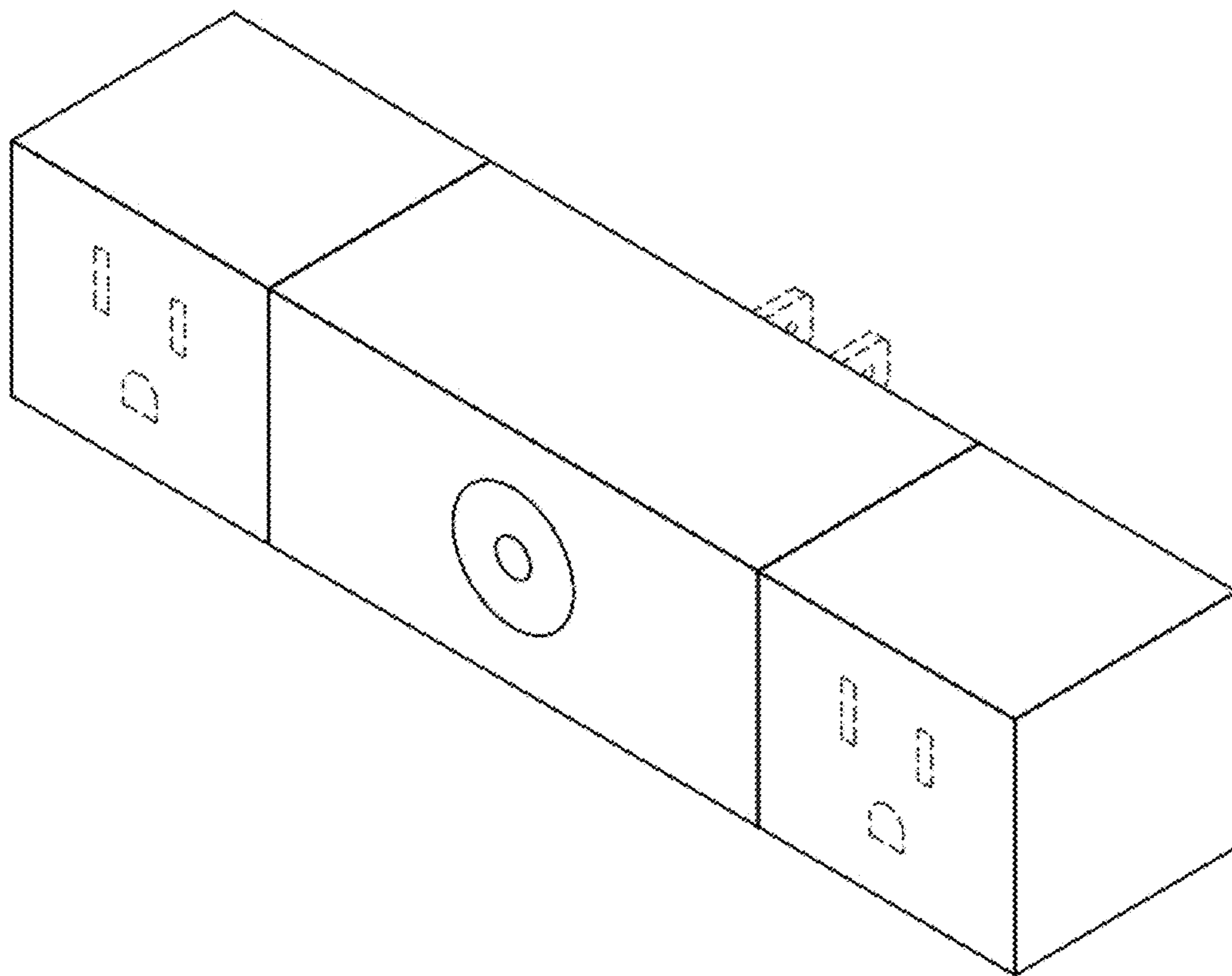


FIG. 1

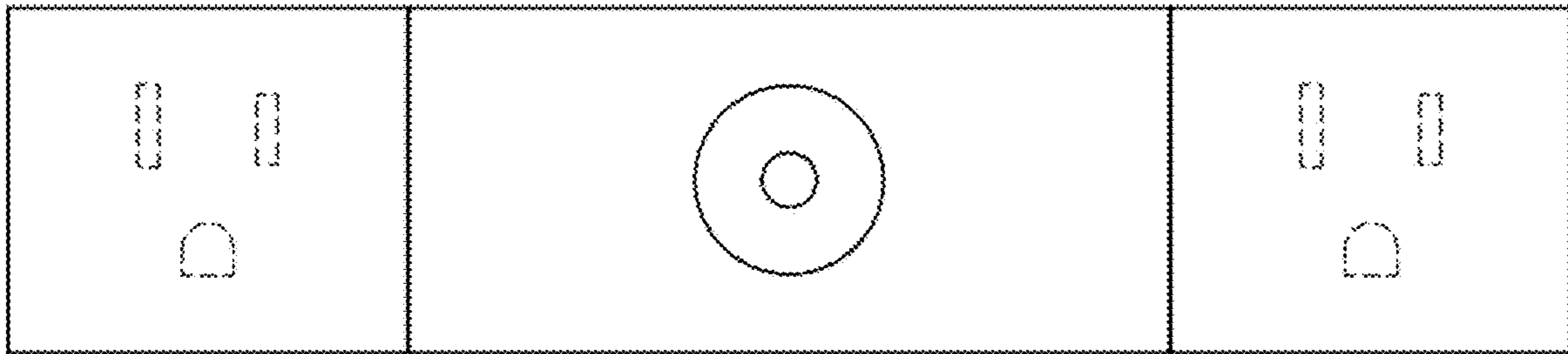


FIG. 2

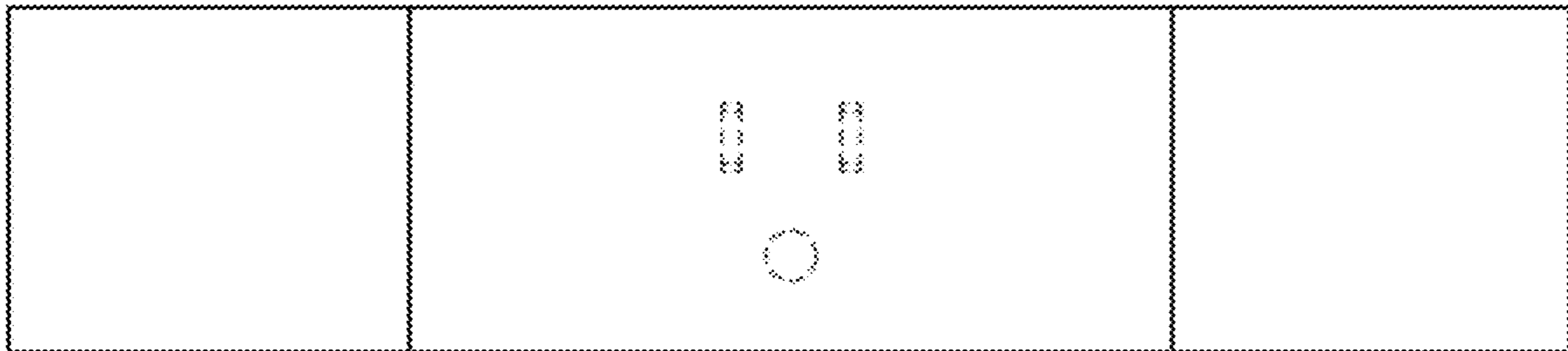


FIG. 3

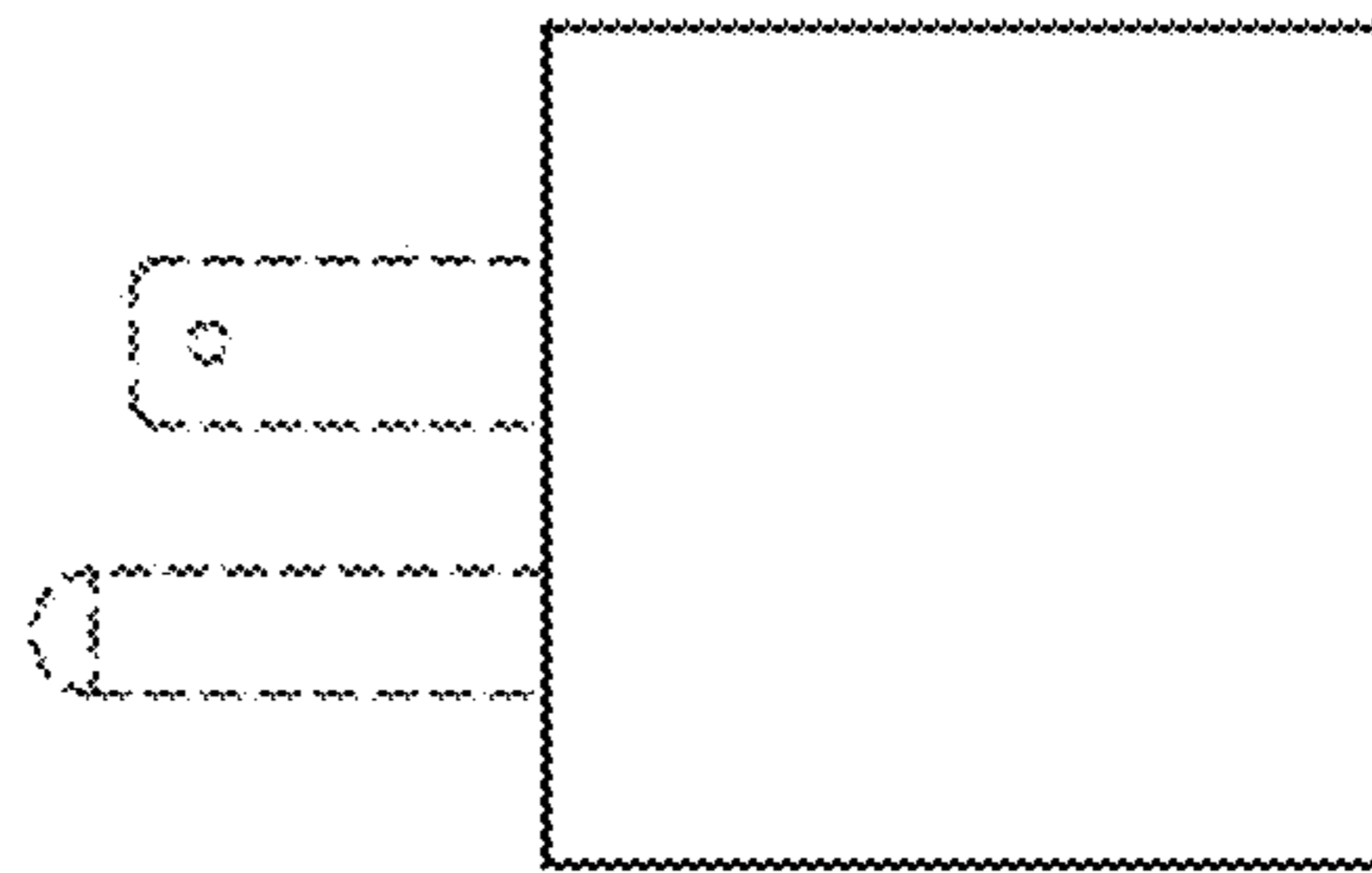


FIG. 4

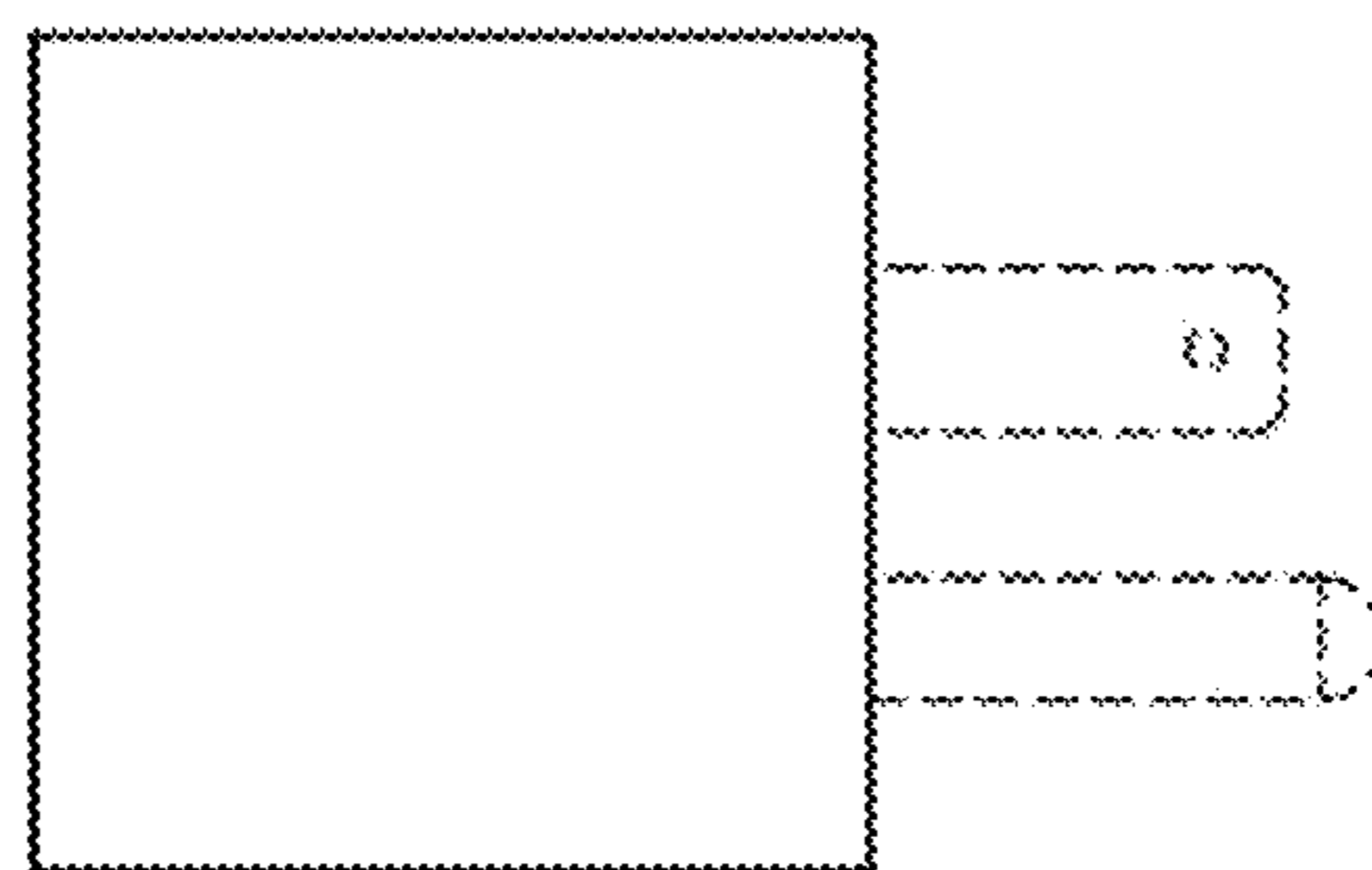


FIG. 5

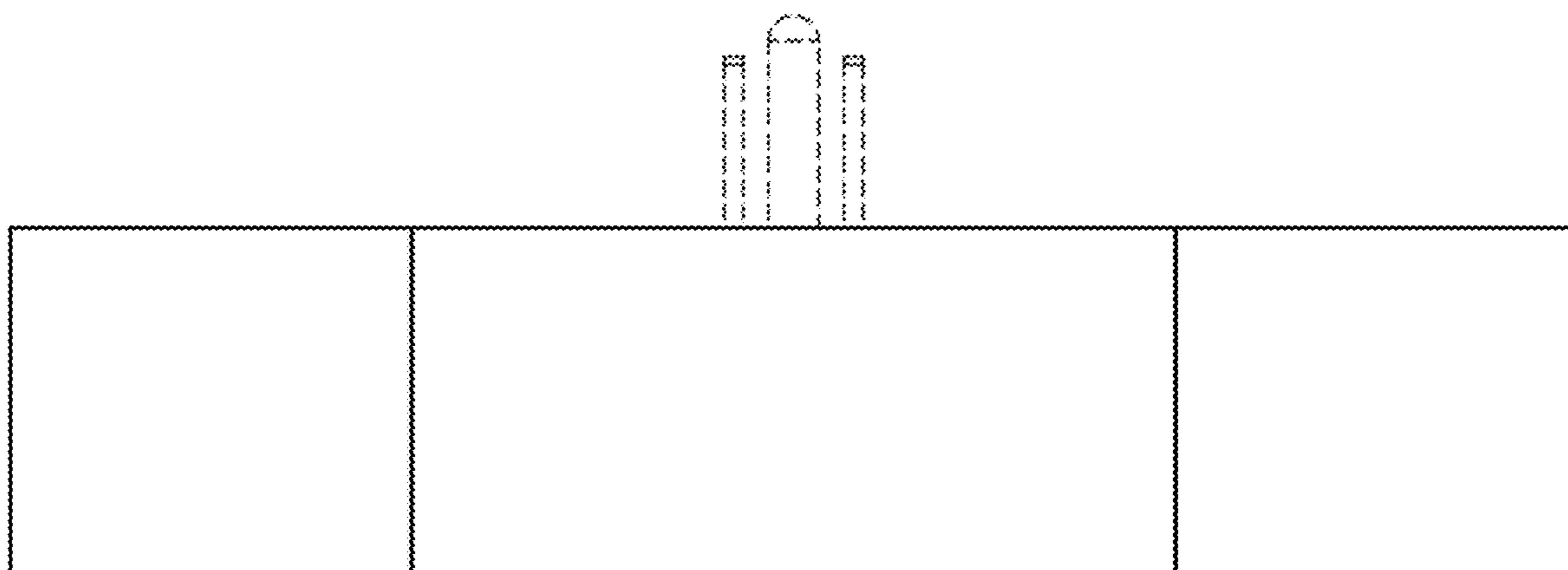


FIG. 6

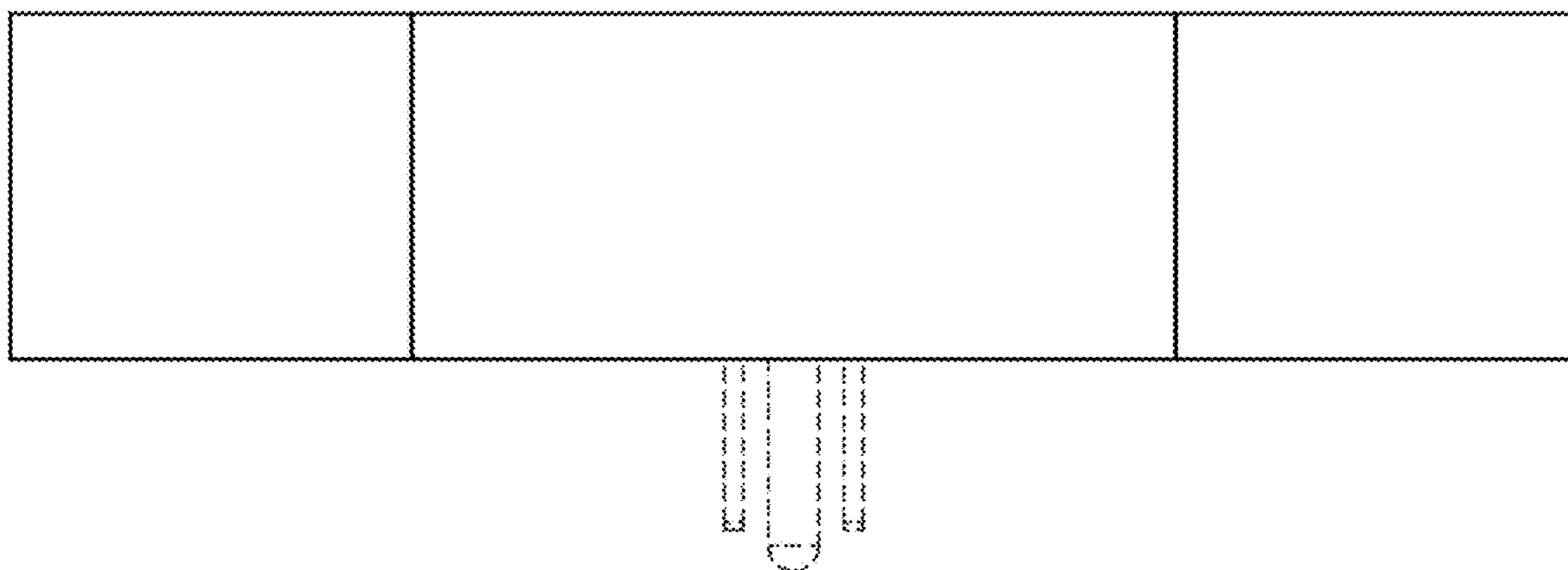


FIG. 7

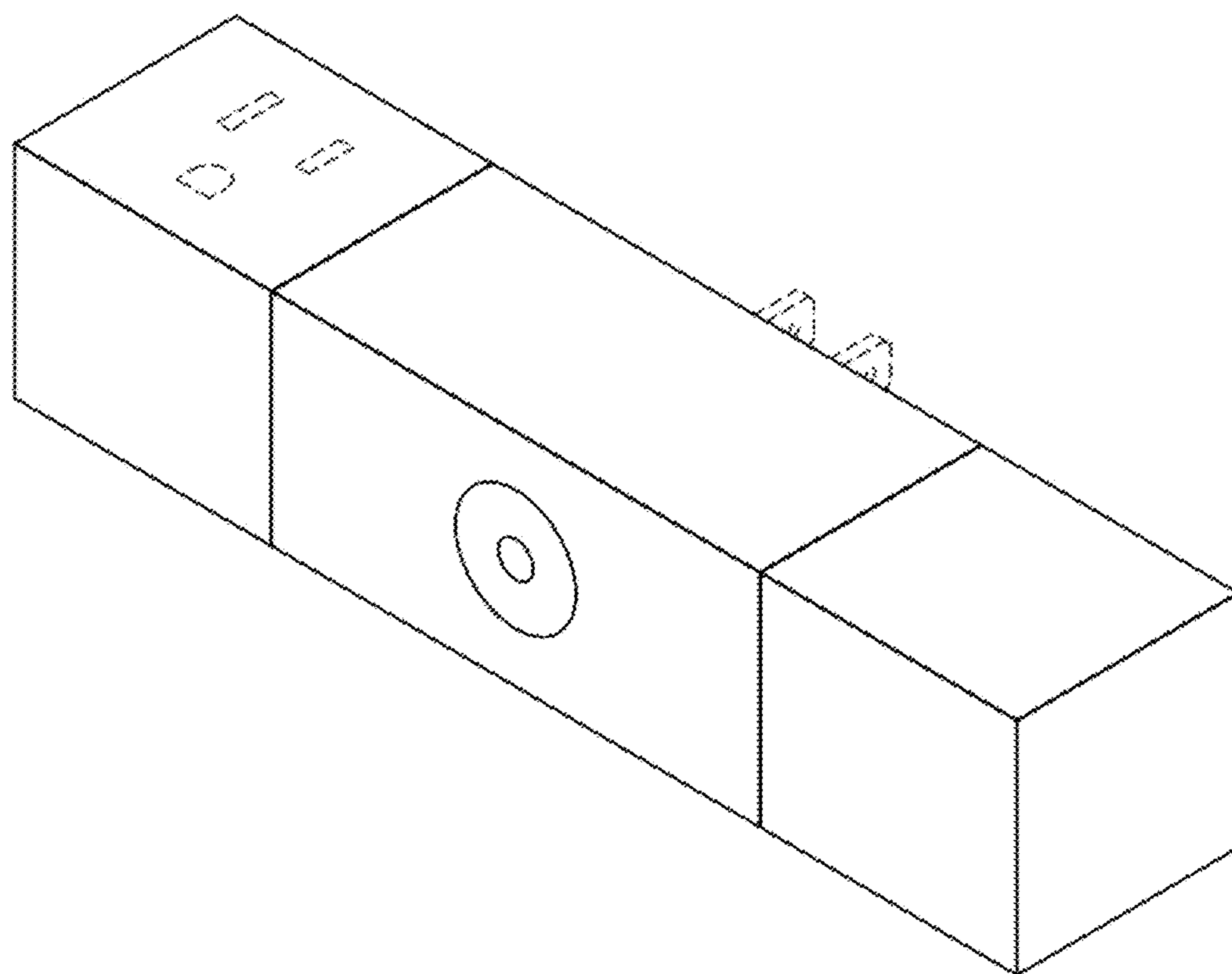


FIG. 8