



US00D939444S

(12) **United States Design Patent**  
**Kondo**

(10) **Patent No.:** **US D939,444 S**  
(45) **Date of Patent:** **\*\* Dec. 28, 2021**

(54) **ELECTRICAL CONNECTOR**

(71) Applicant: **SUMITOMO WIRING SYSTEMS, LTD.**, Mie-Ken (JP)

(72) Inventor: **Tomoyuki Kondo**, Yokkaichi (JP)

(73) Assignee: **SUMITOMO WIRING SYSTEMS, LTD.**, Mie-Ken (JP)

(\*\*) Term: **15 Years**

(21) Appl. No.: **29/717,229**

(22) Filed: **Dec. 16, 2019**

(30) **Foreign Application Priority Data**

Jun. 20, 2019 (JP) ..... 2019013632 U

(51) **LOC (13) Cl.** ..... **13-03**

(52) **U.S. Cl.**  
USPC ..... **D13/133**

(58) **Field of Classification Search**

USPC ..... D13/133, 146, 147, 123, 184, 199, 118,  
D13/120, 154, 155, 173, 103, 158, 112,  
D13/122

CPC .... H01R 13/52; H01R 13/74; H01R 13/5213;  
H01R 2201/00; H01R 2201/26; H01R  
9/223

See application file for complete search history.

(56) **References Cited**

**U.S. PATENT DOCUMENTS**

5,688,144 A	11/1997	Kosuge	
D765,030 S	8/2016	Tyler et al.	
9,997,858 B2 *	6/2018	Mogi	H01R 13/434
10,249,916 B2	4/2019	Tyler et al.	
D894,836 S *	9/2020	Obata	D13/133
D913,929 S *	3/2021	DeKeuster	D13/119
10,944,223 B2 *	3/2021	Takeuchi	H01R 13/748

(Continued)

**FOREIGN PATENT DOCUMENTS**

JP 1450562 S 9/2012

**OTHER PUBLICATIONS**

Electrical Connectors. (Design—© Questel) orbit.com. [Online PDF compilation of references] 29 pgs. Print Dates Range Jul. 18, 2012-May 11, 2020. [Retrieved Feb. 4, 2021] <https://www.orbit.com/export/UCZAH96B/pdf4/12bbbf92-1769-4778-9c54-dc7985d2eacf-191918.pdf> (Year: 2021).\*

*Primary Examiner* — Brett Miller

*Assistant Examiner* — Landon Thomas Cassell

(74) *Attorney, Agent, or Firm* — Grogan, Tuccillo & Vanderleeden LLP

(57) **CLAIM**

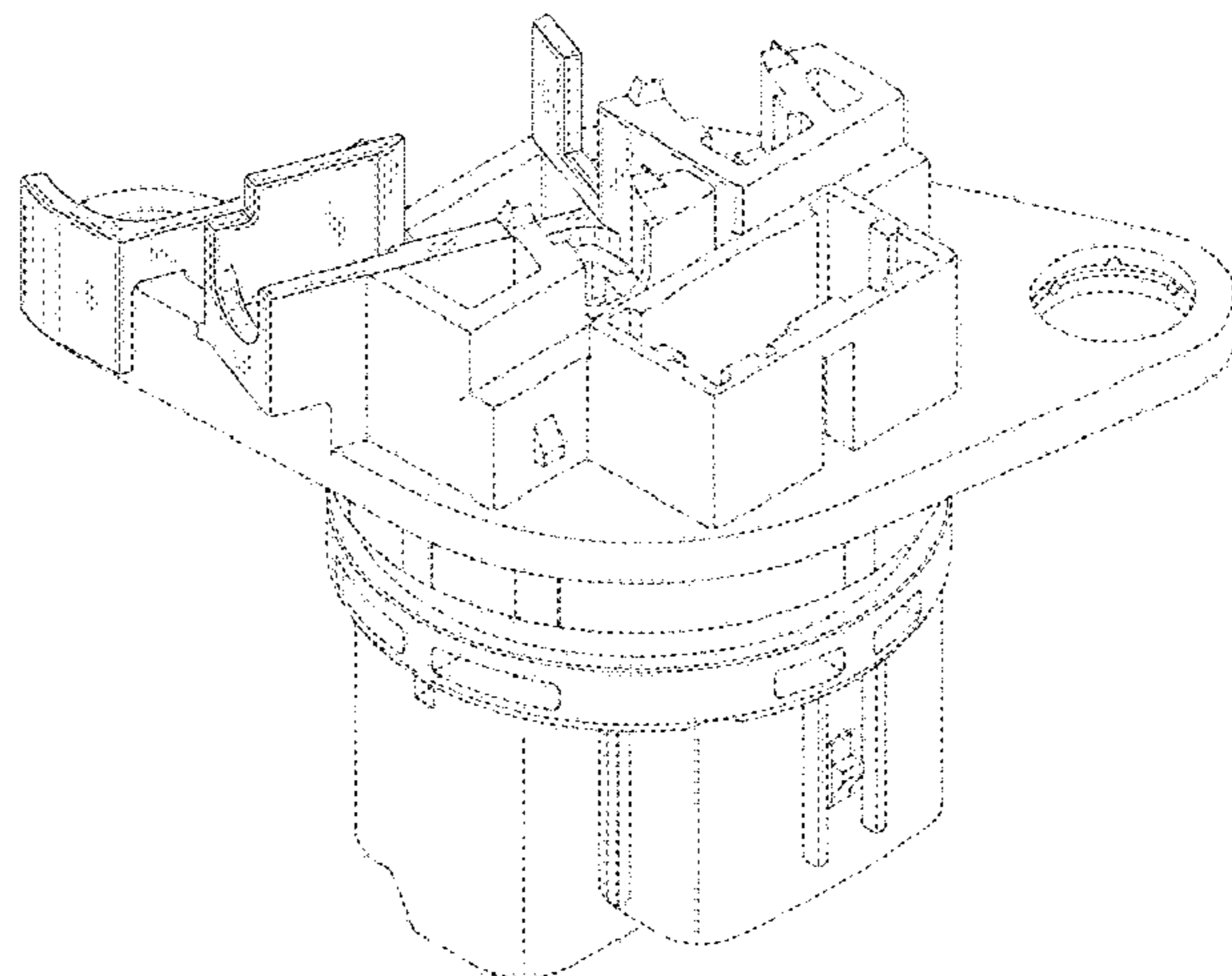
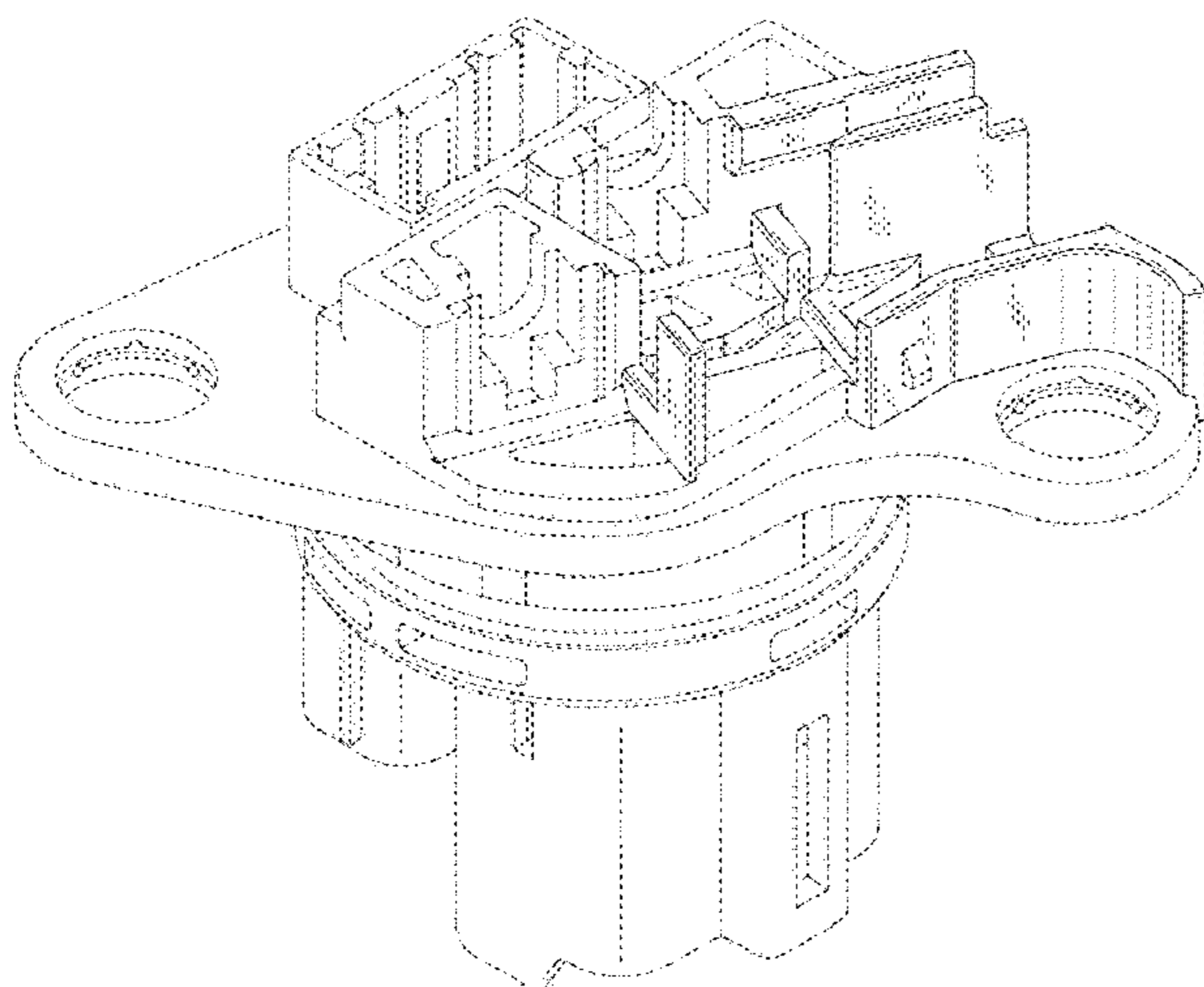
The ornamental design for an electrical connector, as shown and described.

**DESCRIPTION**

FIG. 1 is a front, top, and right side perspective view of an electrical connector showing my new design; FIG. 2 is a rear, top, and right side perspective view thereof; FIG. 3 is a rear, top, and left side perspective view thereof; FIG. 4 is a front, top, and left side perspective view thereof; FIG. 5 is a front view thereof; FIG. 6 is a rear view thereof; FIG. 7 is a top plan view thereof; FIG. 8 is a bottom plan view thereof; FIG. 9 is a right side view thereof; and, FIG. 10 is a left side view thereof.

The broken lines illustrate portions of the electrical connector that form no part of the claimed design. The dash-dotted lines in the Figures denote the boundary of the claim and form no part of the claimed design. FIGS. 1-7, 9, and 10 contain shading lines to clearly show the character and contour of all surfaces.

**1 Claim, 10 Drawing Sheets**



(56)

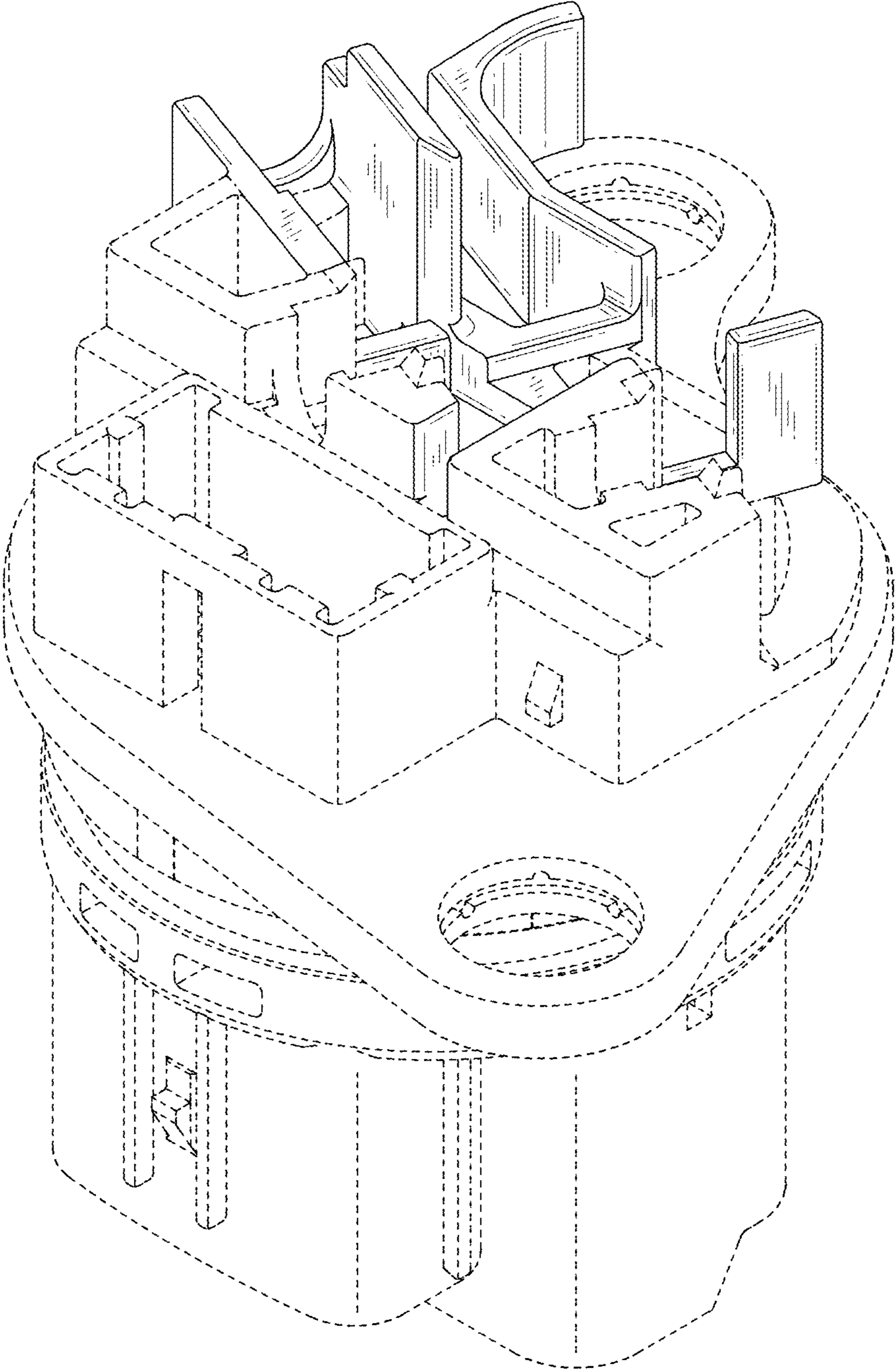
**References Cited**

U.S. PATENT DOCUMENTS

2016/0079706 A1\* 3/2016 Grudzewski ..... B60R 16/0215  
439/345  
2019/0052011 A1\* 2/2019 Kondo ..... H01R 13/512  
2019/0109408 A1 4/2019 Maddens et al.  
2019/0173224 A1\* 6/2019 Inoue ..... H01R 13/5219  
2019/0181627 A1\* 6/2019 Matsuura ..... H02G 3/14  
2020/0328554 A1\* 10/2020 Asano ..... H05K 5/061  
2020/0335919 A1\* 10/2020 Ohtaka ..... B60R 16/0222  
2020/0350723 A1\* 11/2020 Yamada ..... B29C 45/14639  
2020/0384875 A1\* 12/2020 Rhodes ..... B60L 53/302  
2021/0044057 A1\* 2/2021 Kondo ..... H01R 13/5213  
2021/0057834 A1\* 2/2021 Nagayama ..... H01R 9/24

\* cited by examiner

FIG.1



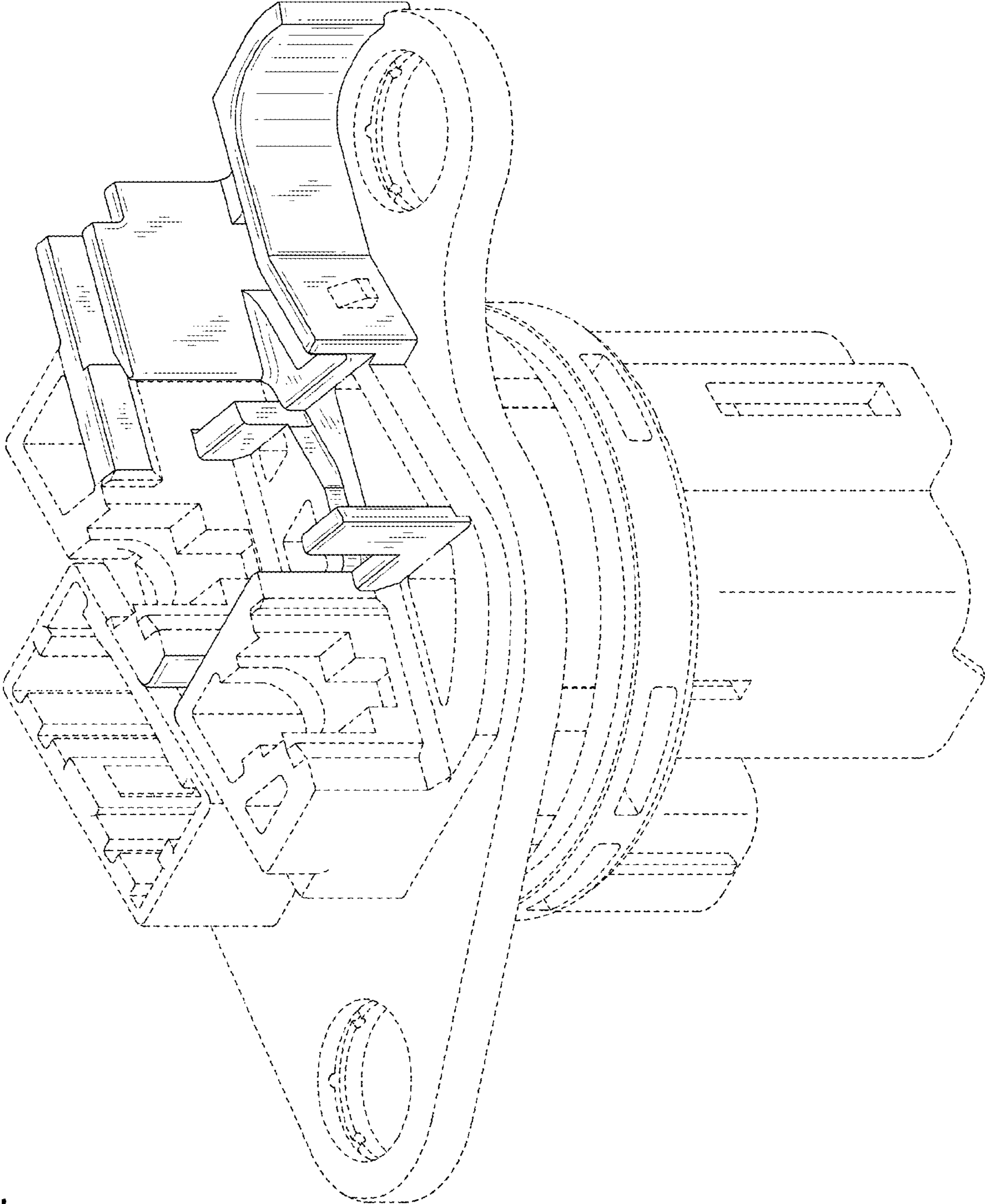
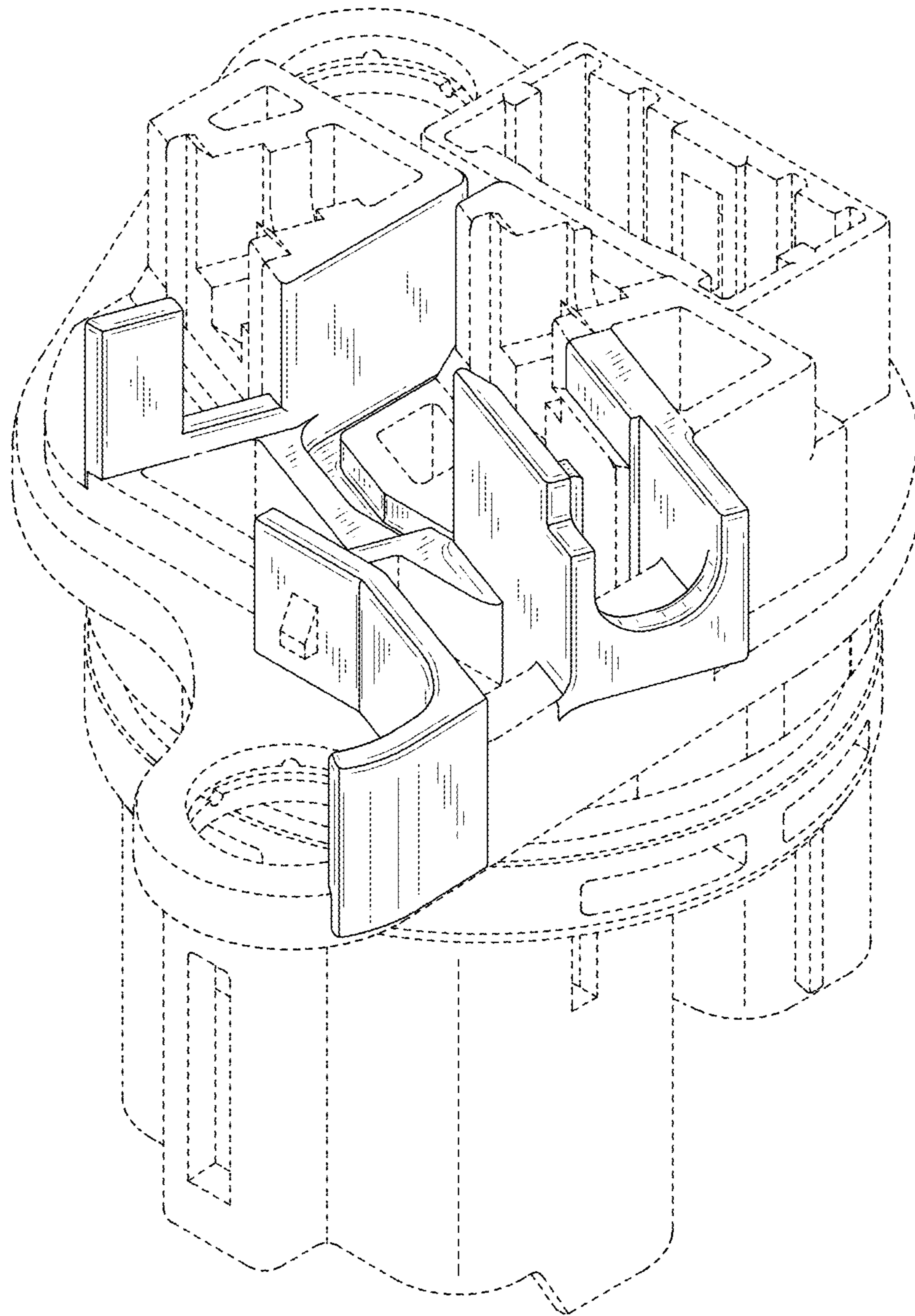


FIG.2

FIG.3



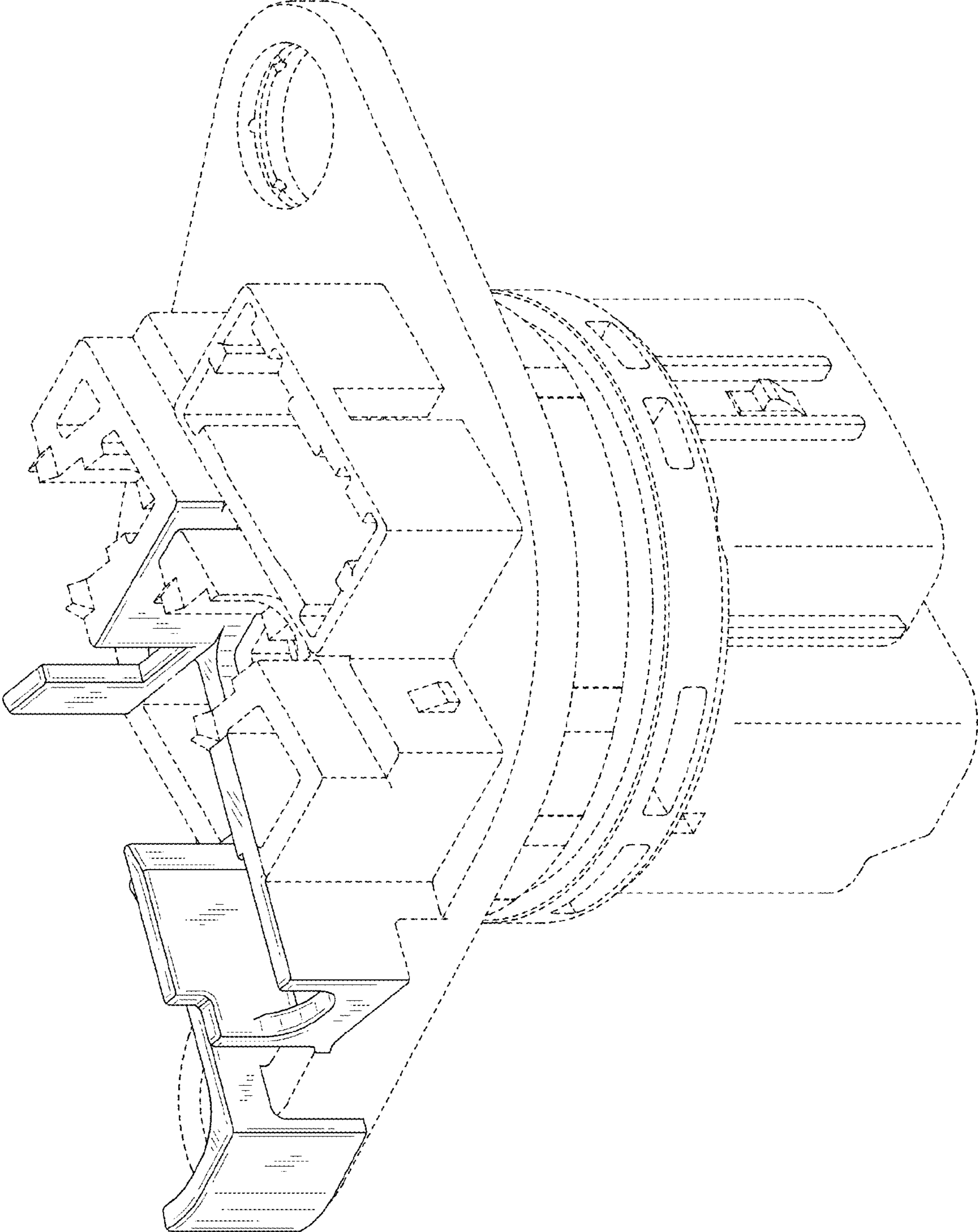


FIG.4

FIG.5

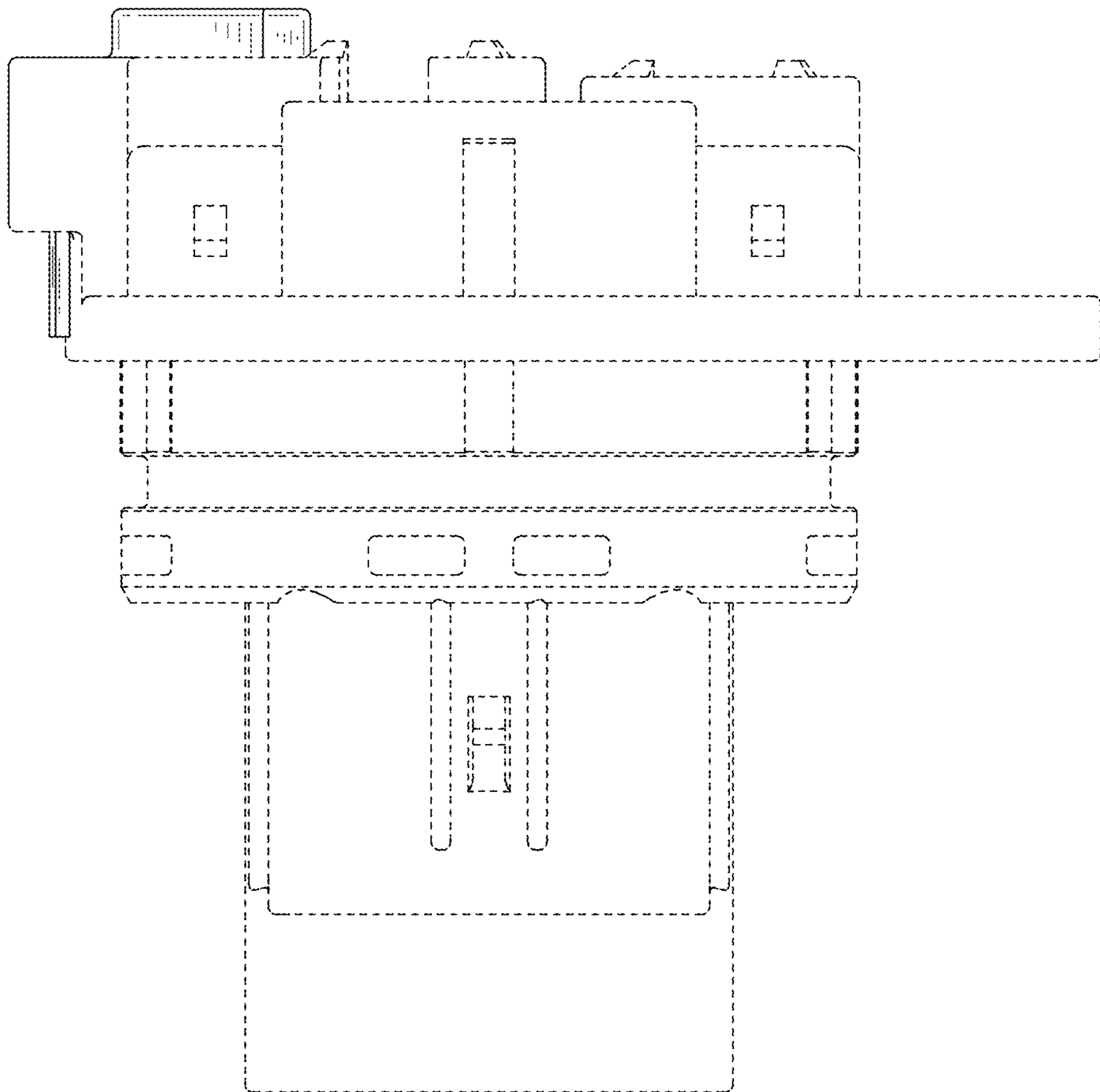


FIG.6

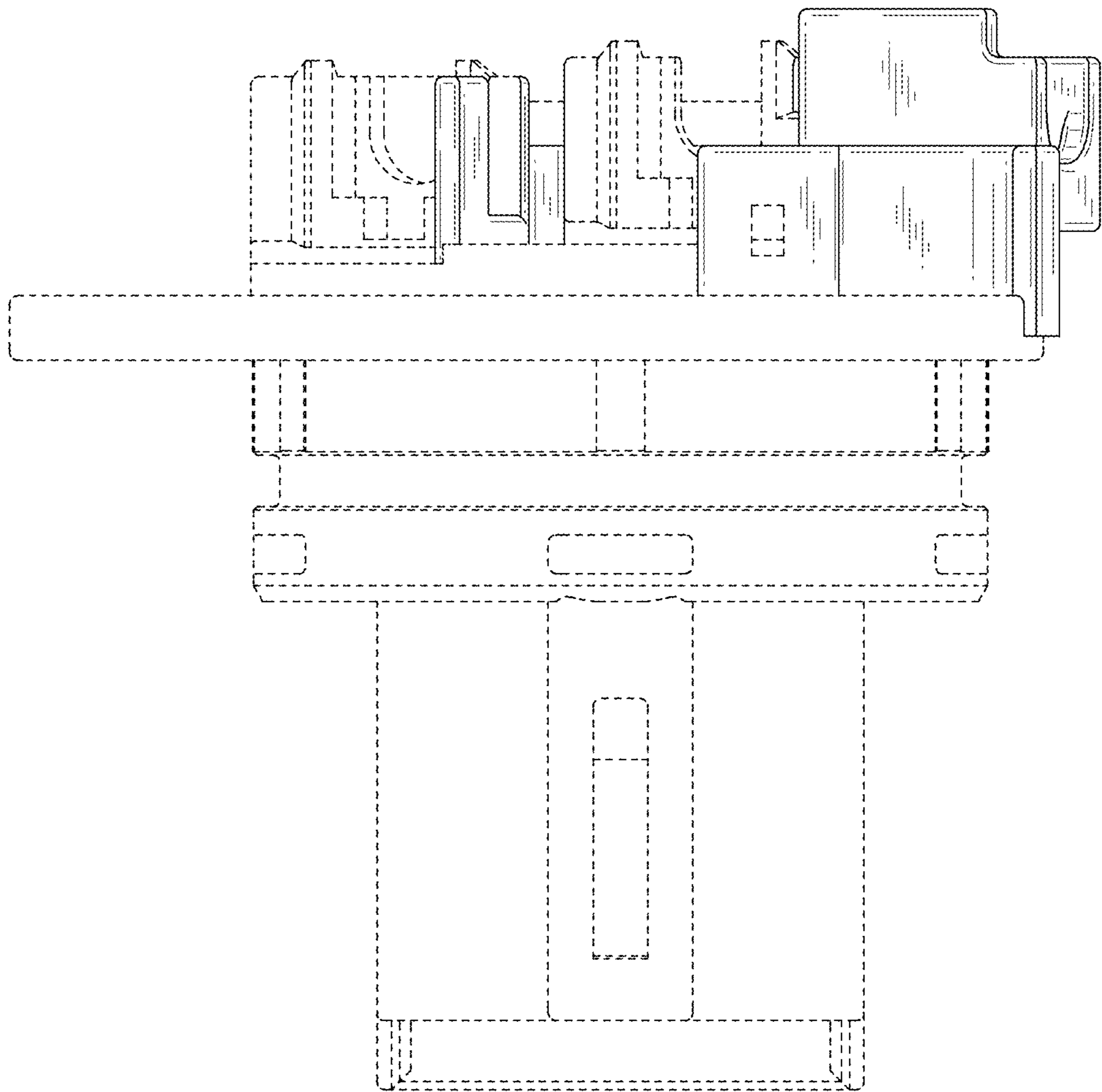




FIG.7

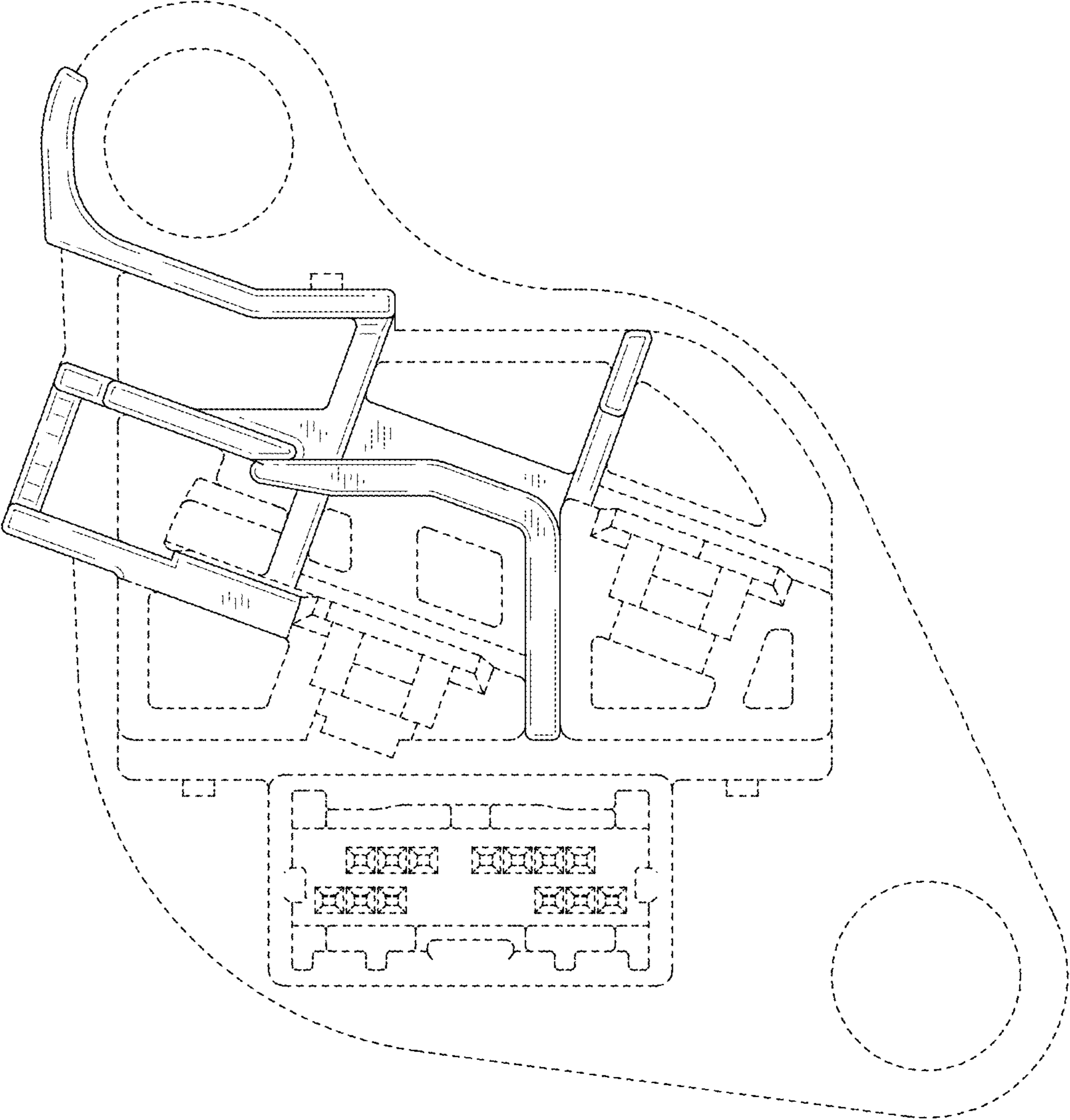


FIG.8

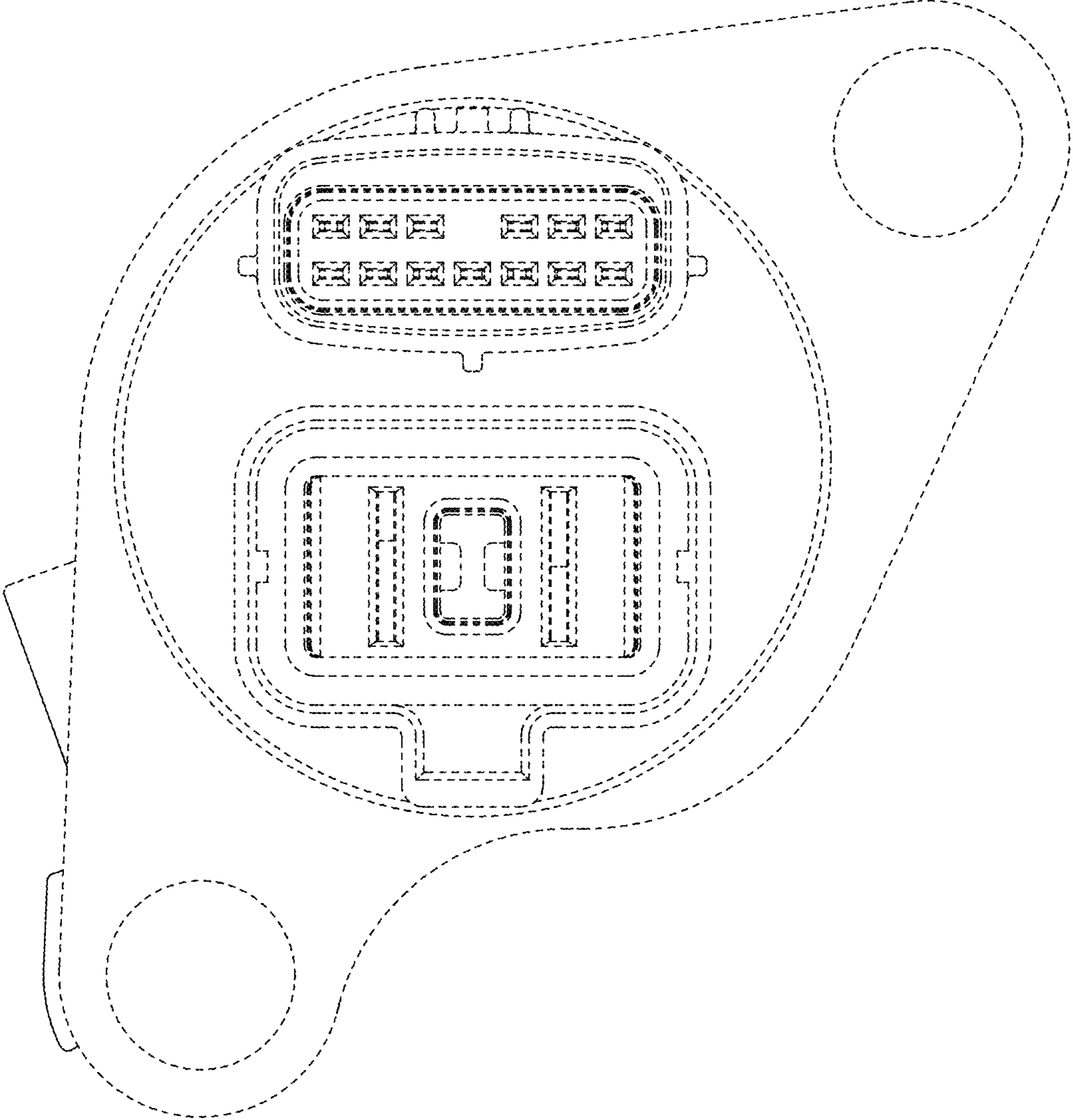


FIG.9

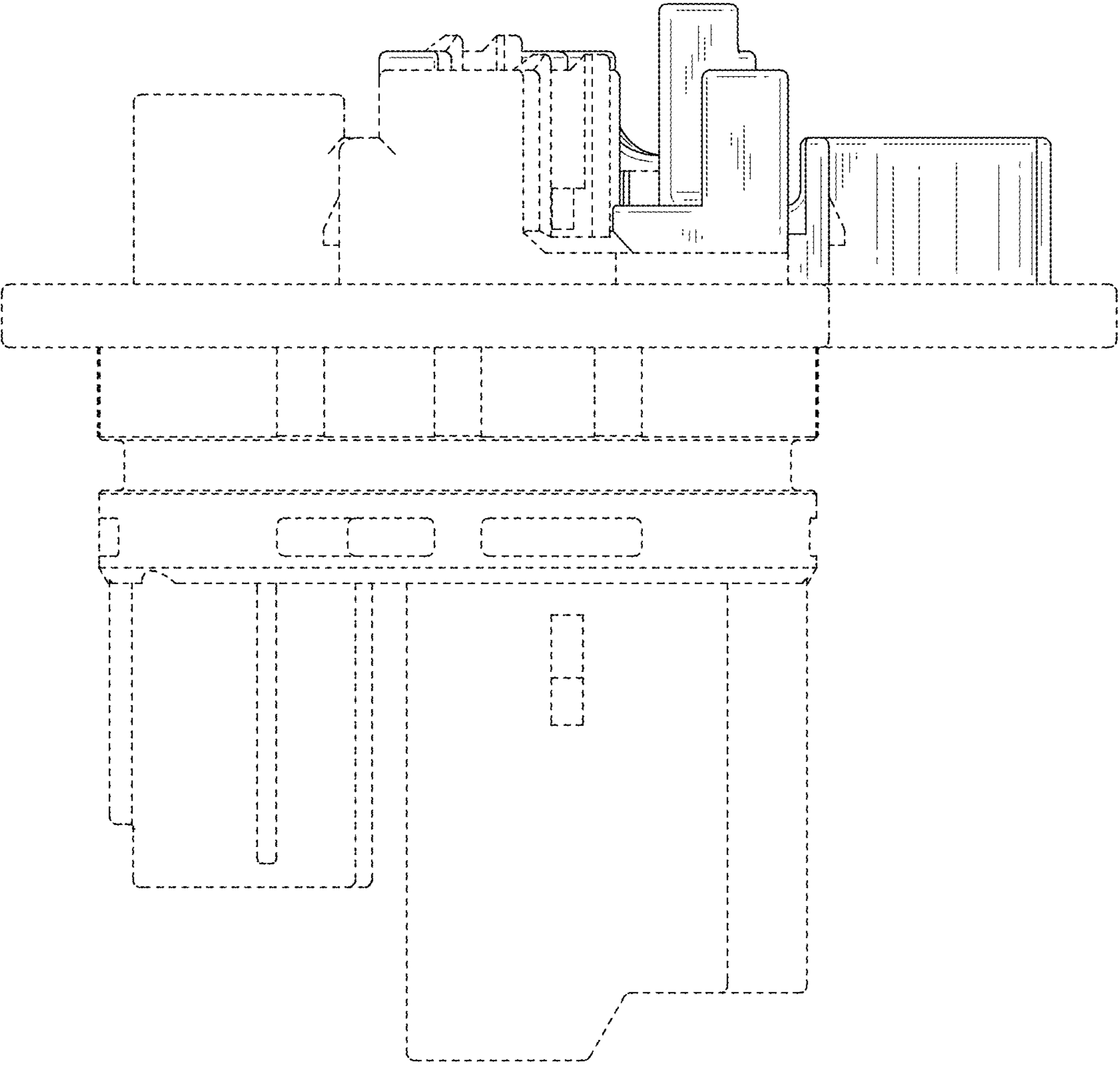


FIG.10

