



US00D939443S

(12) **United States Design Patent** (10) **Patent No.:** **US D939,443 S**
Tan (45) **Date of Patent:** **** Dec. 28, 2021**

(54) **CABLE**

(71) Applicant: **Dongguan Yuanchuang Electronic Technology Co., Ltd.**, Guangdong (CN)

(72) Inventor: **Hongping Tan**, Guangdong (CN)

(73) Assignee: **Dongguan Yuanchuang Electronic Technology Co., Ltd.**, Dongguan (CN)

(**) Term: **15 Years**

(21) Appl. No.: **29/716,047**

(22) Filed: **Dec. 6, 2019**

(30) **Foreign Application Priority Data**

Aug. 30, 2019 (CN) 201930477969.1

(51) **LOC (13) Cl.** **13-03**

(52) **U.S. Cl.**
USPC **D13/133**

(58) **Field of Classification Search**
USPC D13/101-106, 110, 112, 117, 118-121, D13/123, 124, 125, 133, 146-156, 158, D13/159, 160, 161, 162, 173, 182, 184, D13/199; D14/240, 242, 256, 432, 433, D14/434, 435.1, 438, 439, 480.1-480.7, D14/484.1

See application file for complete search history.

(56) **References Cited**

U.S. PATENT DOCUMENTS

D620,015 S * 7/2010 Nan D14/480.6
D749,600 S * 2/2016 Emami D14/480.6
D802,595 S * 11/2017 Bo D14/435.1

D803,843 S * 11/2017 Chang D14/480.6
D863,319 S * 10/2019 Roberts D14/480.6
D880,429 S * 4/2020 Wu D13/153
D882,524 S * 4/2020 Rong D13/153
D889,416 S * 7/2020 Zhao D13/153

OTHER PUBLICATIONS

YICHUMY 180 Degree Rotation. Date: Sep. 17, 2017, [online], [Site visited Dec. 30, 2020], Available from Internet URL: <https://www.amazon.com/dp/B08LZNFG5C/> (Year: 2017).*

Jasput Magnetic Charging Cable. Date: Sep. 26, 2019, [online], [Site visited Dec. 30, 2020], Available from Internet URL: <https://www.amazon.com/dp/B07TRMCYWS/> (Year: 2019).*

* cited by examiner

Primary Examiner — Susan Bennett Hattan

Assistant Examiner — Landon Thomas Cassell

(74) *Attorney, Agent, or Firm* — Minder Law Group; Willy H. Wong

(57) **CLAIM**

The ornamental design for a cable, as shown and described.

DESCRIPTION

FIG. 1 is a perspective view of a cable showing my new design;

FIG. 2 is a front view thereof;

FIG. 3 is a back view thereof;

FIG. 4 is a left side view thereof;

FIG. 5 is a right side view thereof;

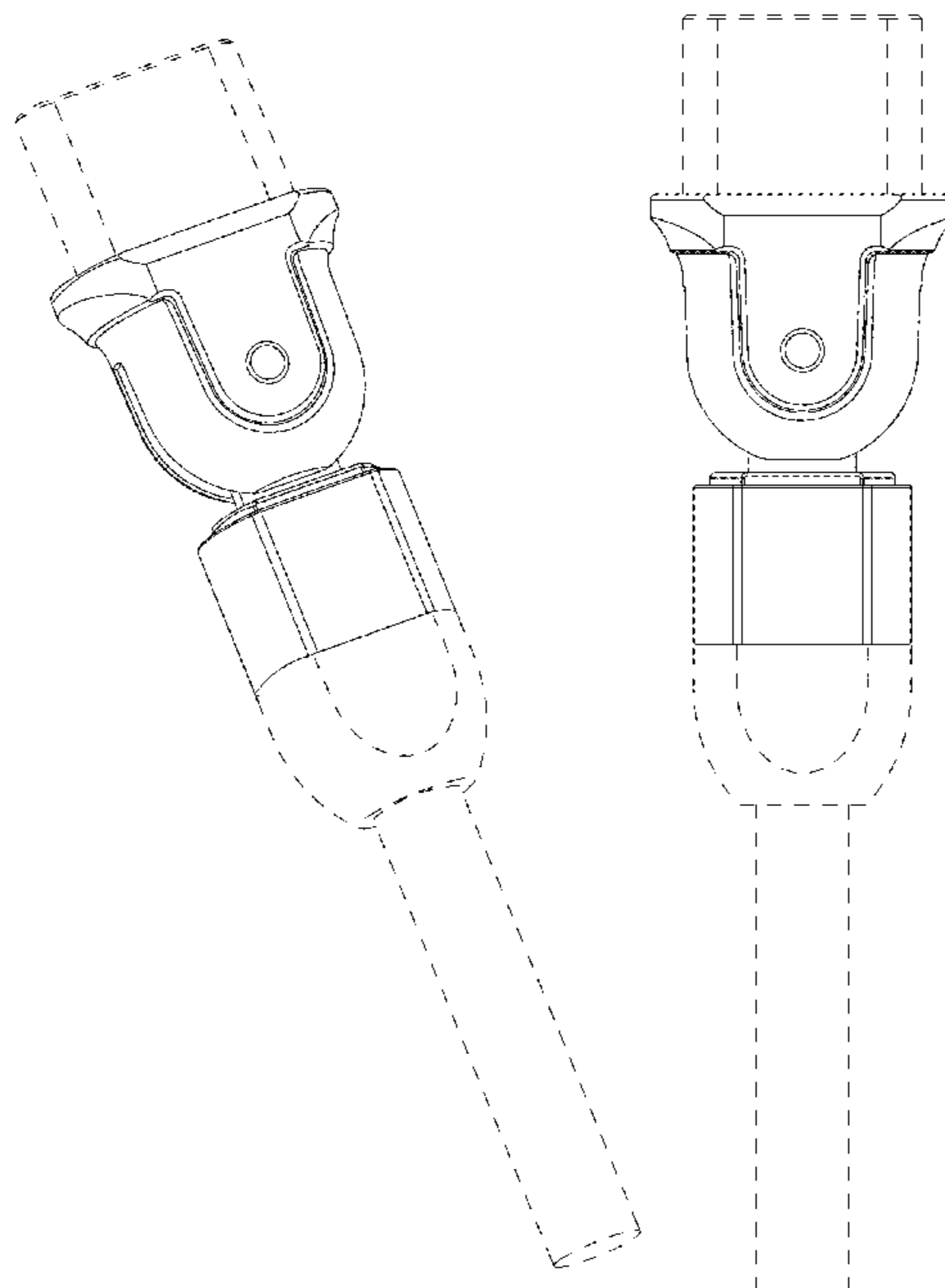
FIG. 6 is a top view thereof;

FIG. 7 is a bottom view thereof; and,

FIG. 8 is a perspective view in a rotated configuration thereof.

The broken lines in the figures depict portions of the cable that form no part of the claimed design.

1 Claim, 8 Drawing Sheets



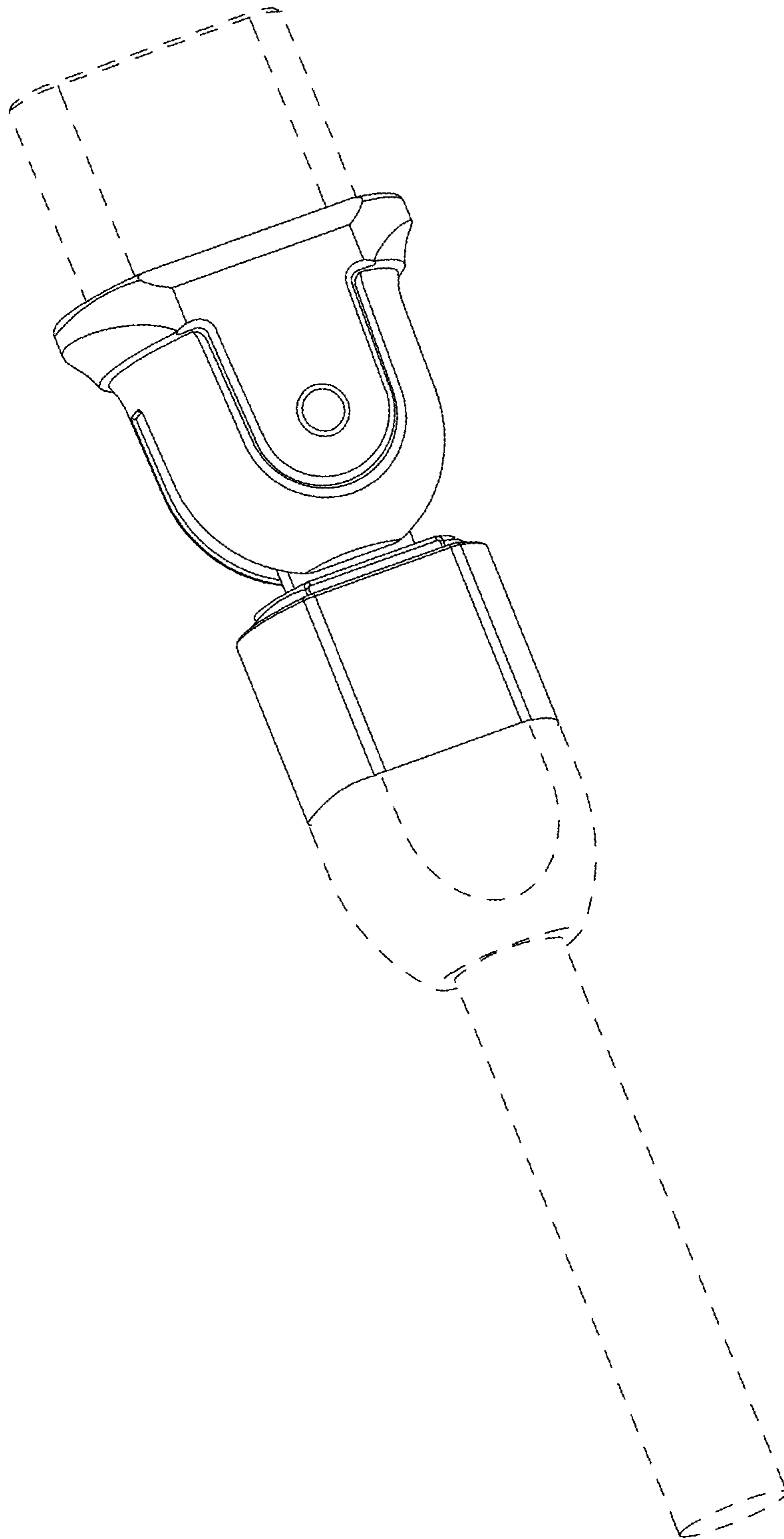


FIG. 1

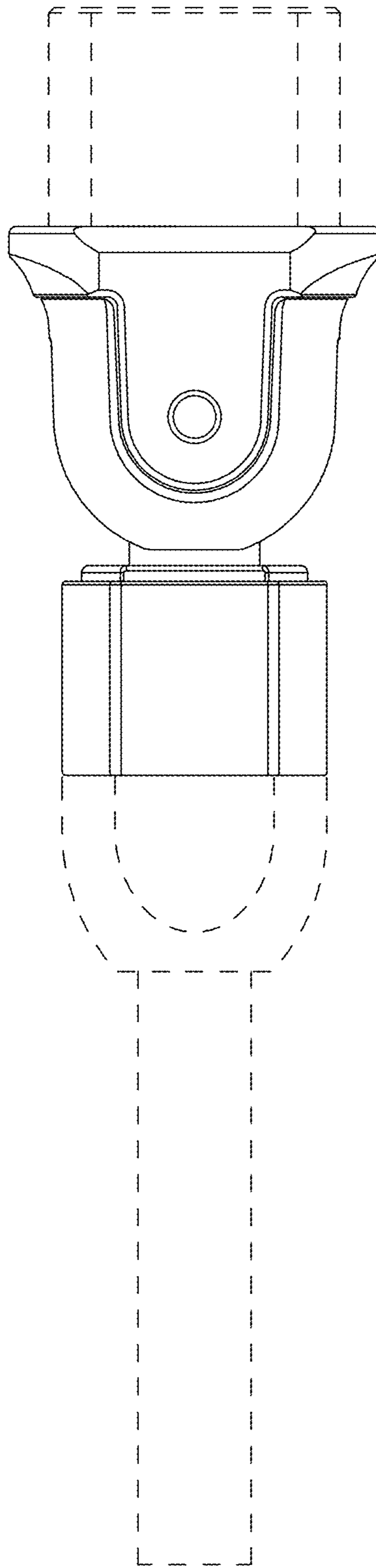


FIG. 2

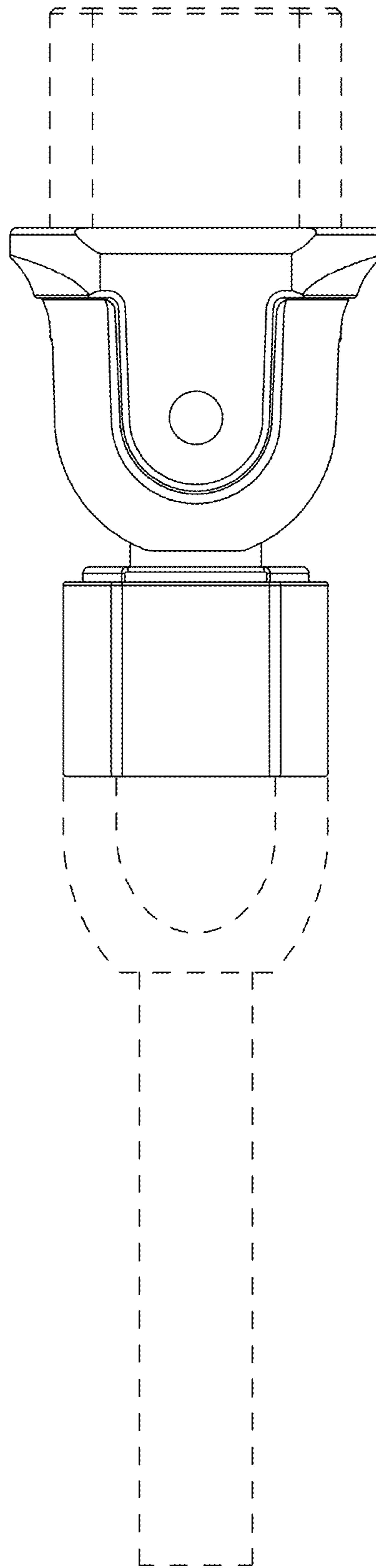


FIG. 3

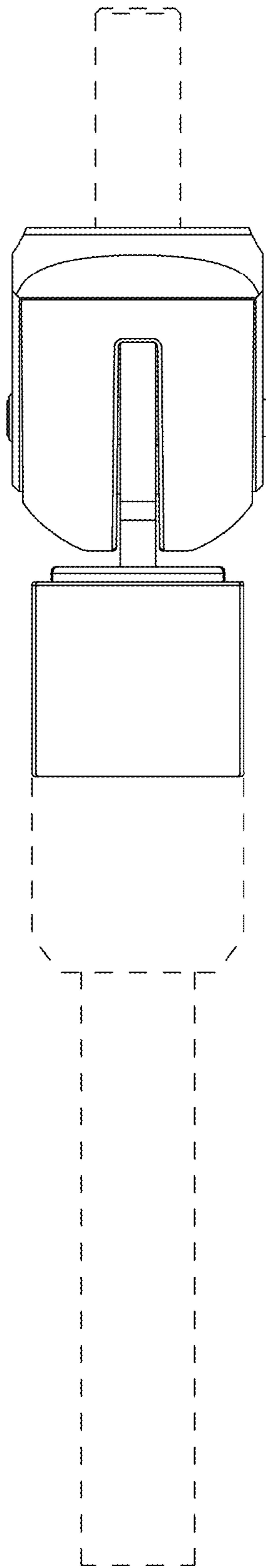


FIG. 4

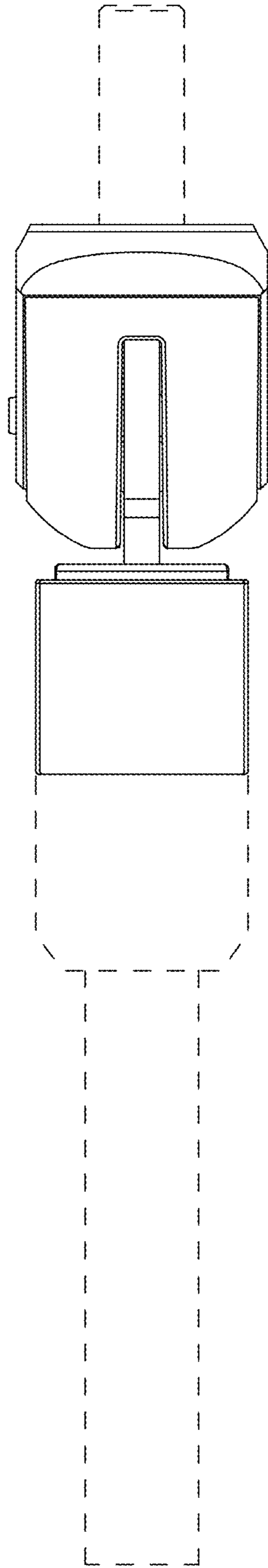


FIG. 5

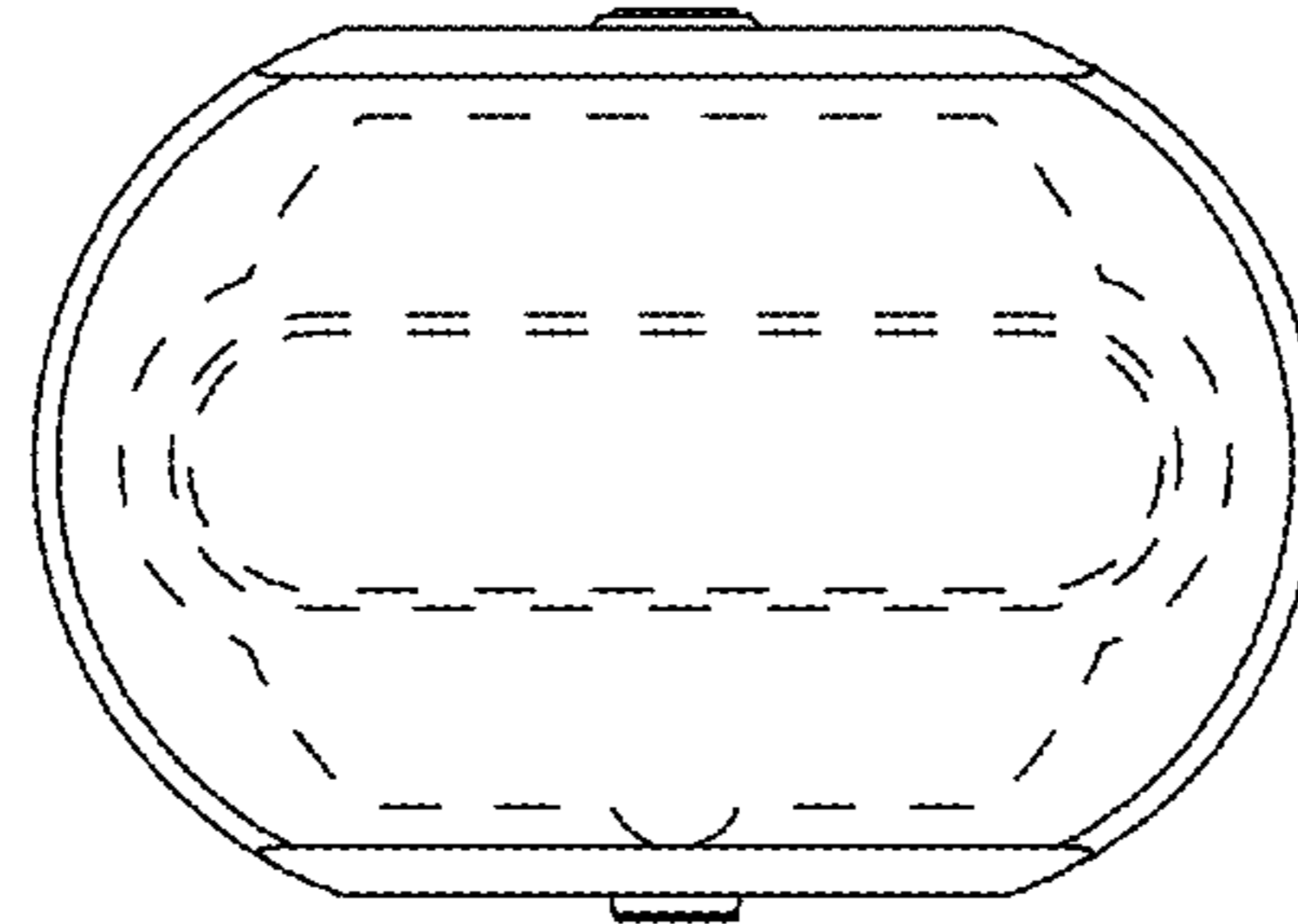


FIG. 6

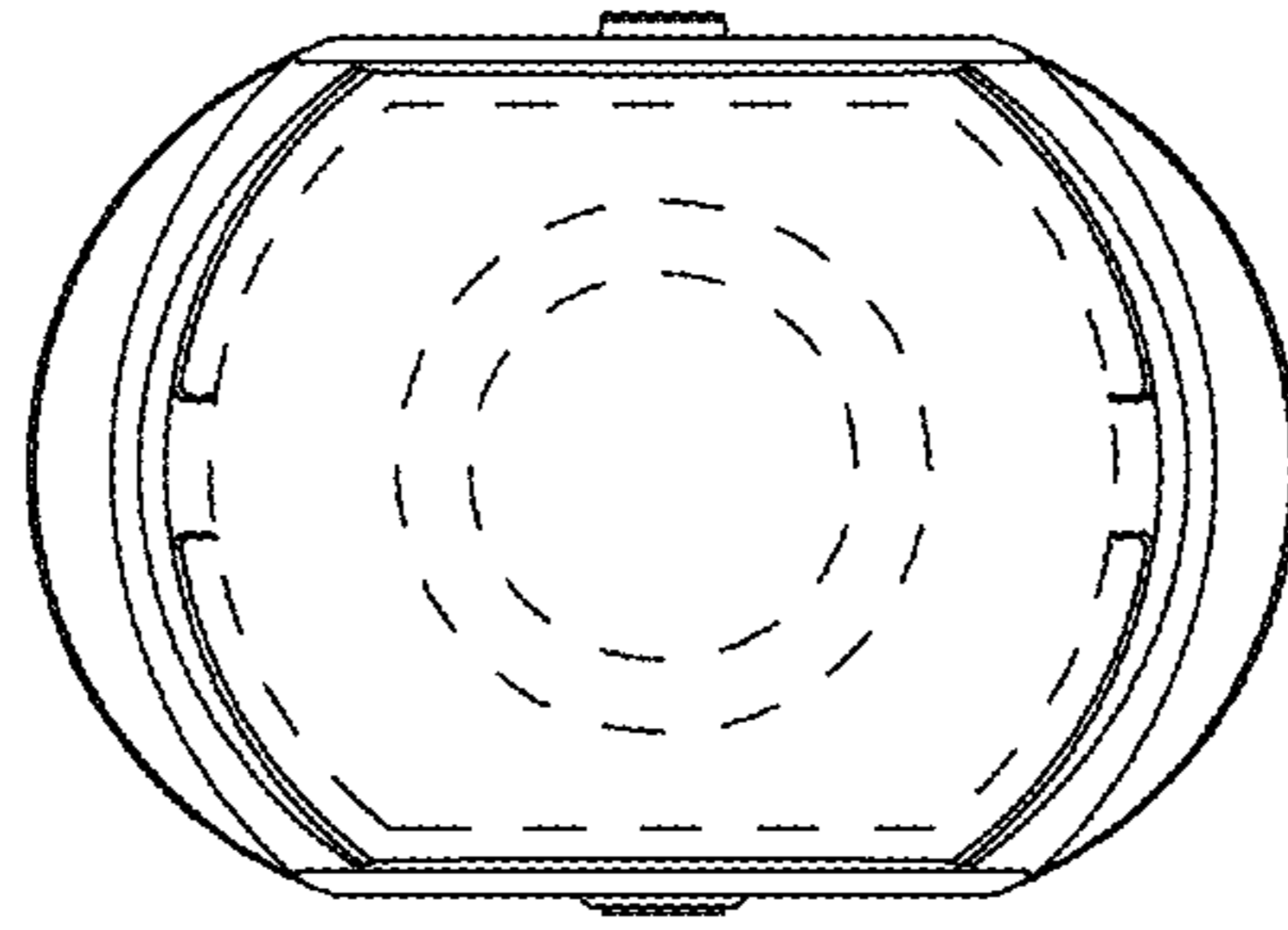


FIG. 7

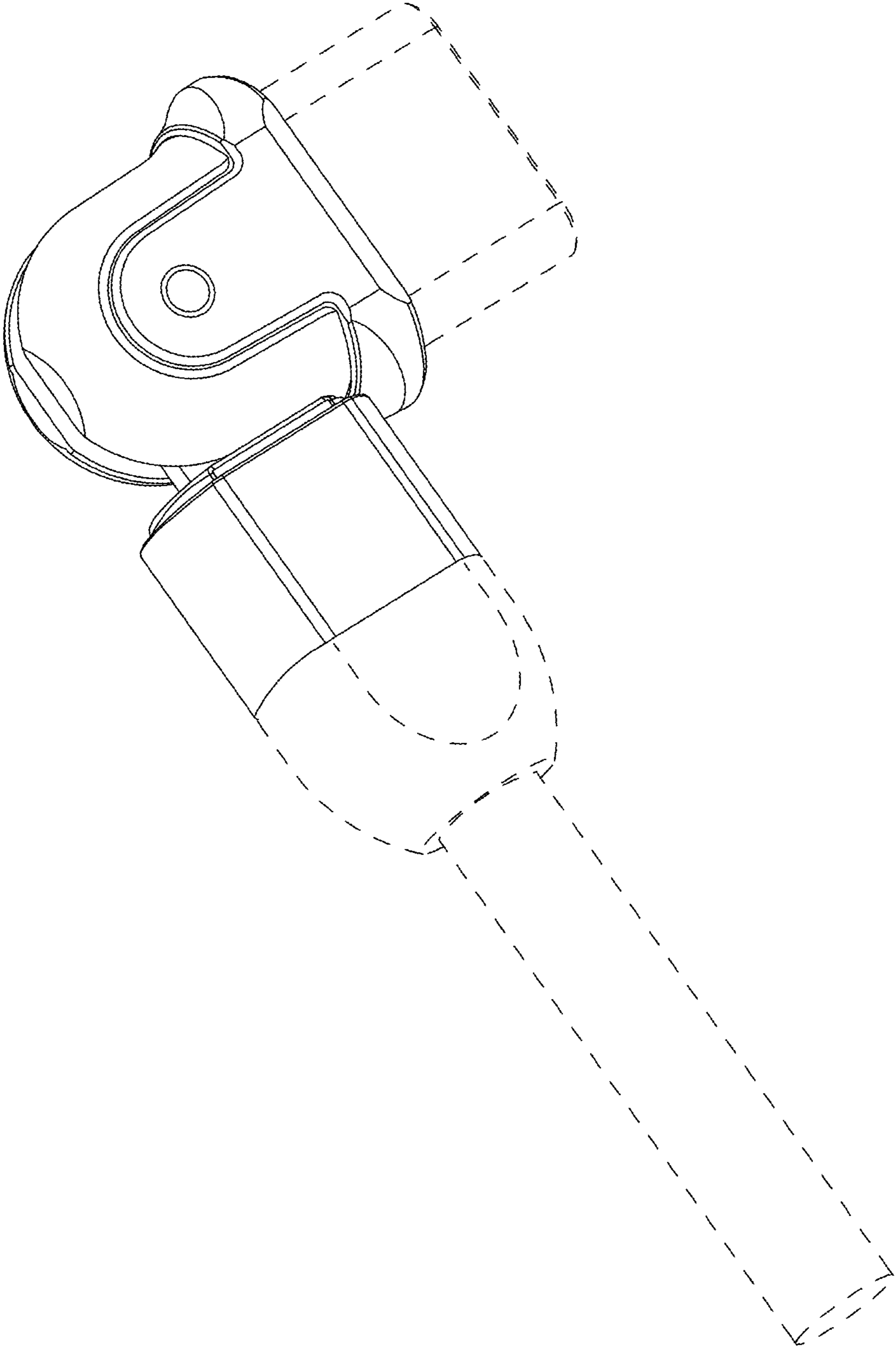


FIG. 8