



US00D939440S

(12) **United States Design Patent**  
**Guo**

(10) **Patent No.:** **US D939,440 S**

(45) **Date of Patent:** **\*\* Dec. 28, 2021**

(54) **CHARGER**

(71) Applicant: **Guangdong Mcdodo Industrial Company Limited**, Guangzhou (CN)

(72) Inventor: **Yuxin Guo**, Guangzhou (CN)

(\*\*) Term: **15 Years**

(21) Appl. No.: **29/760,337**

(22) Filed: **Dec. 1, 2020**

(51) **LOC (13) Cl.** ..... **13-02**

(52) **U.S. Cl.**  
USPC ..... **D13/108**

(58) **Field of Classification Search**  
USPC ..... D13/103, 107–110, 118–119, 184, 199,  
D13/137.1–137.4, 138.1–138.2; D14/251,  
D14/253, 432, 434, 433  
CPC ..... H02J 7/025; H02J 7/005; H02J 7/0026;  
H02J 7/0042; H02J 7/0044; H02J 7/0045;  
H02J 7/0013; H02J 7/0003

See application file for complete search history.

(56) **References Cited**

**U.S. PATENT DOCUMENTS**

D610,992 S *	3/2010	Fahrendorff	.....	D13/138.1
D611,415 S *	3/2010	Andre	.....	D13/138.1
D623,136 S *	9/2010	Andre	.....	D13/138.1
D627,729 S *	11/2010	Smith	.....	D13/138.1
D642,524 S *	8/2011	Fitch	.....	D13/110
D653,208 S *	1/2012	Au	.....	D13/108
D653,209 S *	1/2012	Lee	.....	D13/110
D653,614 S *	2/2012	Au	.....	D13/108
D653,615 S *	2/2012	Au	.....	D13/108
D655,243 S *	3/2012	Au	.....	D13/108
D663,687 S	7/2012	Liu		
D692,825 S	11/2013	Izen et al.		
D693,764 S *	11/2013	Hok Man	.....	D13/108
D702,631 S *	4/2014	Esses	.....	D13/108
D704,630 S *	5/2014	Liu	.....	D13/108
D729,160 S *	5/2015	Levy	.....	D13/110
D734,259 S *	7/2015	Cepress	.....	D13/110
D734,260 S *	7/2015	Cepress	.....	D13/110
D735,130 S *	7/2015	Huang	.....	D13/108

D834,516 S *	11/2018	Jin	.....	D13/108
D841,582 S	2/2019	Tian		
D860,952 S *	9/2019	Akana	.....	D13/147
D867,287 S *	11/2019	Akana	.....	D13/110
D879,044 S *	3/2020	Fan	.....	D13/137.2
D879,712 S *	3/2020	Fan	.....	D13/108
D885,336 S *	5/2020	Deng	.....	D13/108

(Continued)

**OTHER PUBLICATIONS**

“USB C Charger, Anker Nano Charger PIQ 3.0 Durable Compact Fast Charger, PowerPort III for iPhone 12/12 Mini/12 Pro/12 Pro Max/11, Galaxy, Pixel 4/3, iPad Pro (Cable Not Included)”, Amazon.com, first available Feb. 4, 2020. Accessed on the internet: <[https://www.amazon.com/Charger-Anker-Compact-PowerPort-Nintendo/dp/B084GTXTMD/ref=pd\\_vtp\\_3/146-9512464-5459255?pd\\_rd\\_w=QfDxS&pf\\_rd\\_p=016e3697-91be-4dc2-9533-ef9350e7e73d&pf\\_rd\\_r=7ZGDHK38CA776QWH054F&pd\\_rd\\_r=71345796-69b7-4cba-8f6b-d9b50891151c&pd\\_rd\\_wg=Bo16h&pd\\_rd\\_i=B084GTXTMD&th=1](https://www.amazon.com/Charger-Anker-Compact-PowerPort-Nintendo/dp/B084GTXTMD/ref=pd_vtp_3/146-9512464-5459255?pd_rd_w=QfDxS&pf_rd_p=016e3697-91be-4dc2-9533-ef9350e7e73d&pf_rd_r=7ZGDHK38CA776QWH054F&pd_rd_r=71345796-69b7-4cba-8f6b-d9b50891151c&pd_rd_wg=Bo16h&pd_rd_i=B084GTXTMD&th=1)> (Year: 2020).\*

*Primary Examiner* — Rosemary K Tarcza

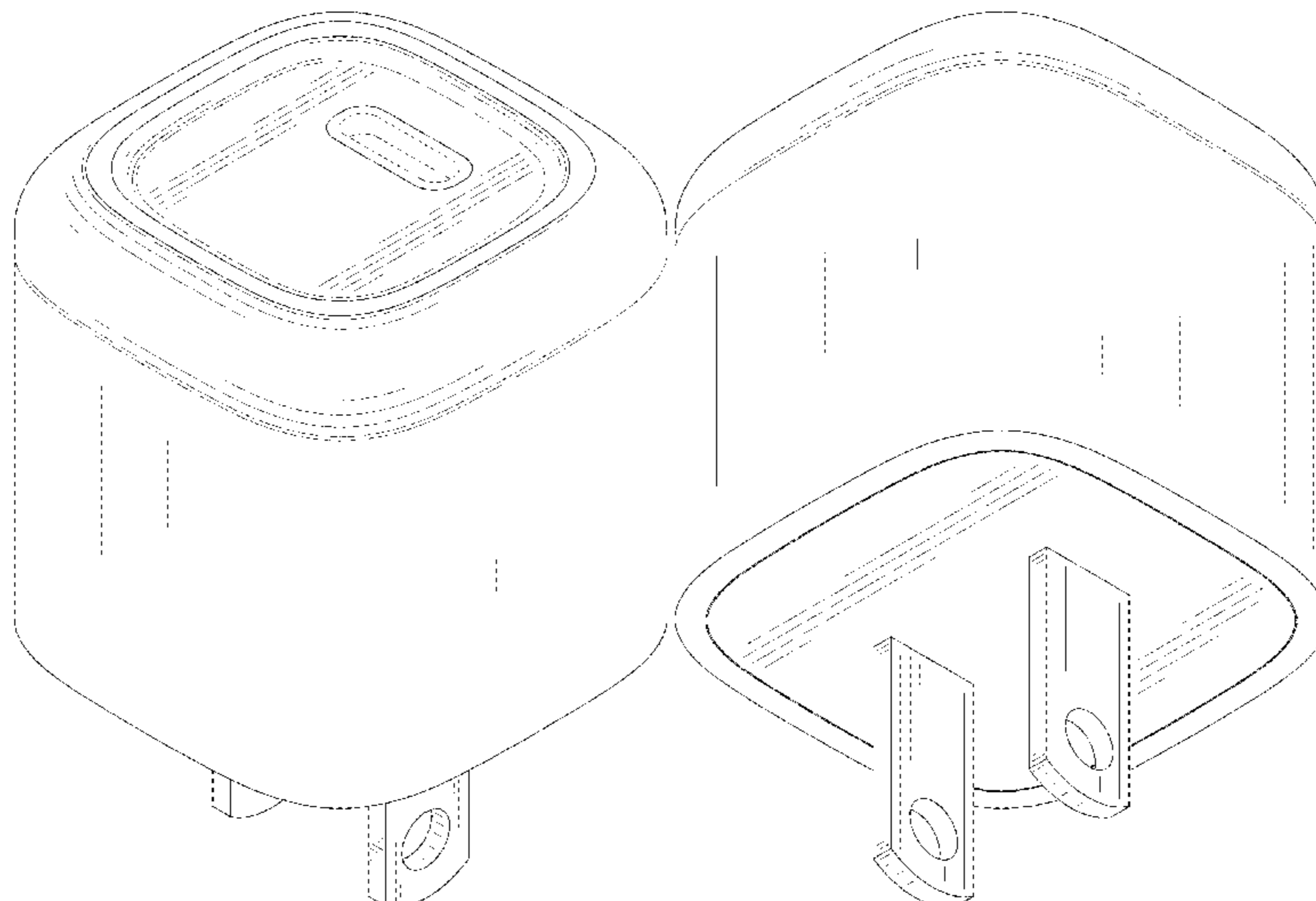
(57) **CLAIM**

The ornamental design for a charger, as shown and described.

**DESCRIPTION**

FIG. 1 is a first perspective view of a charger showing my new design;  
FIG. 2 is a second perspective view thereof;  
FIG. 3 is a front view thereof;  
FIG. 4 is a back view thereof;  
FIG. 5 is a left side view thereof;  
FIG. 6 is a right side view thereof;  
FIG. 7 is a top view thereof; and,  
FIG. 8 is a bottom view thereof.  
The broken lines shown in the drawings depict portions of the charger in which the design is embodied that form no part of the claimed design.

**1 Claim, 8 Drawing Sheets**



(56)

**References Cited**

U.S. PATENT DOCUMENTS

D892,736 S \* 8/2020 Jin ..... D13/108  
D892,737 S \* 8/2020 Yuan ..... D13/110  
D900,738 S \* 11/2020 Liu ..... D13/108  
D903,589 S \* 12/2020 Akana ..... D13/110  
2020/0381934 A1\* 12/2020 Kim ..... H05K 1/021  
2021/0007232 A1\* 1/2021 Kim ..... H01R 31/065

\* cited by examiner

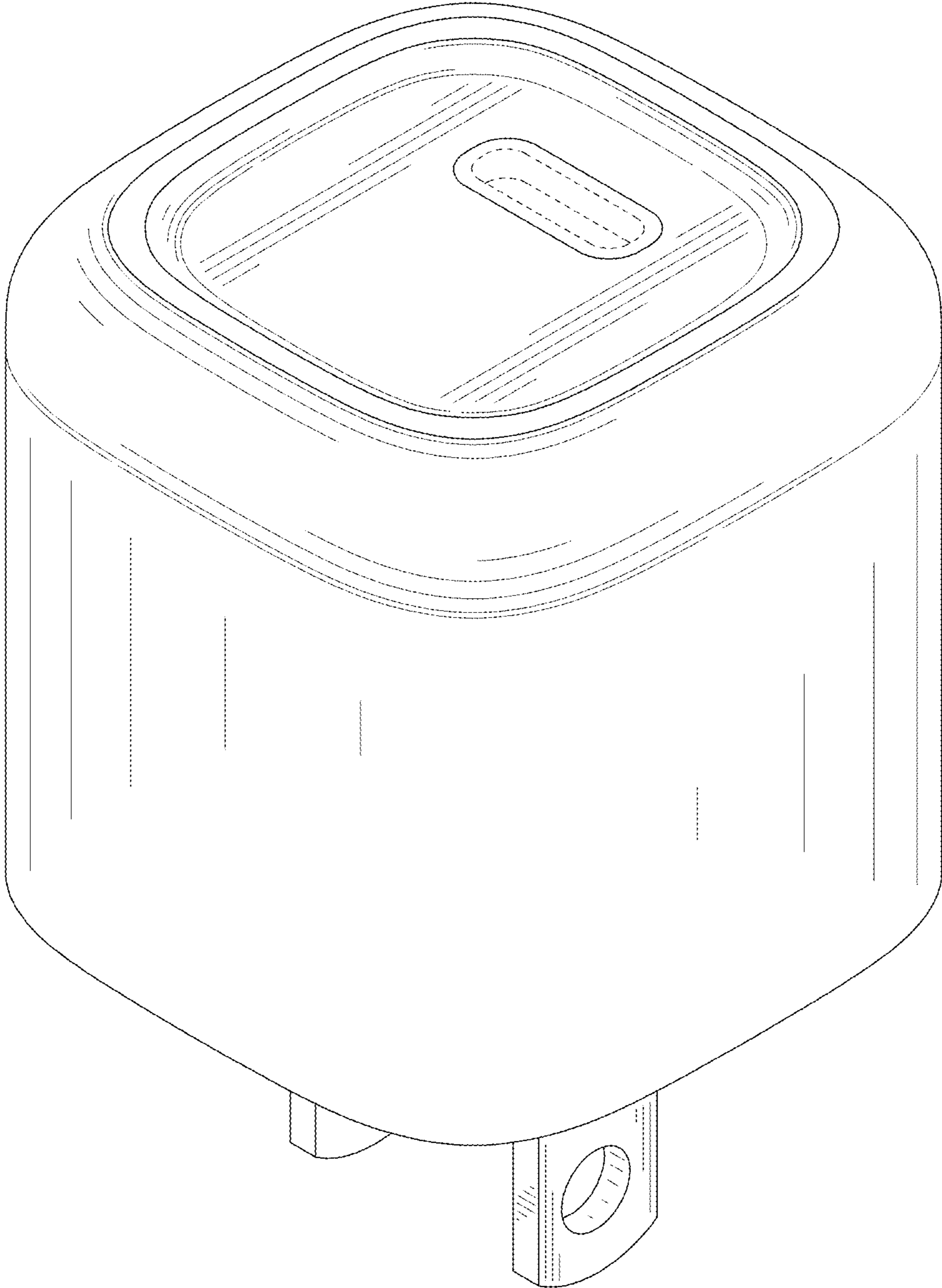


FIG. 1

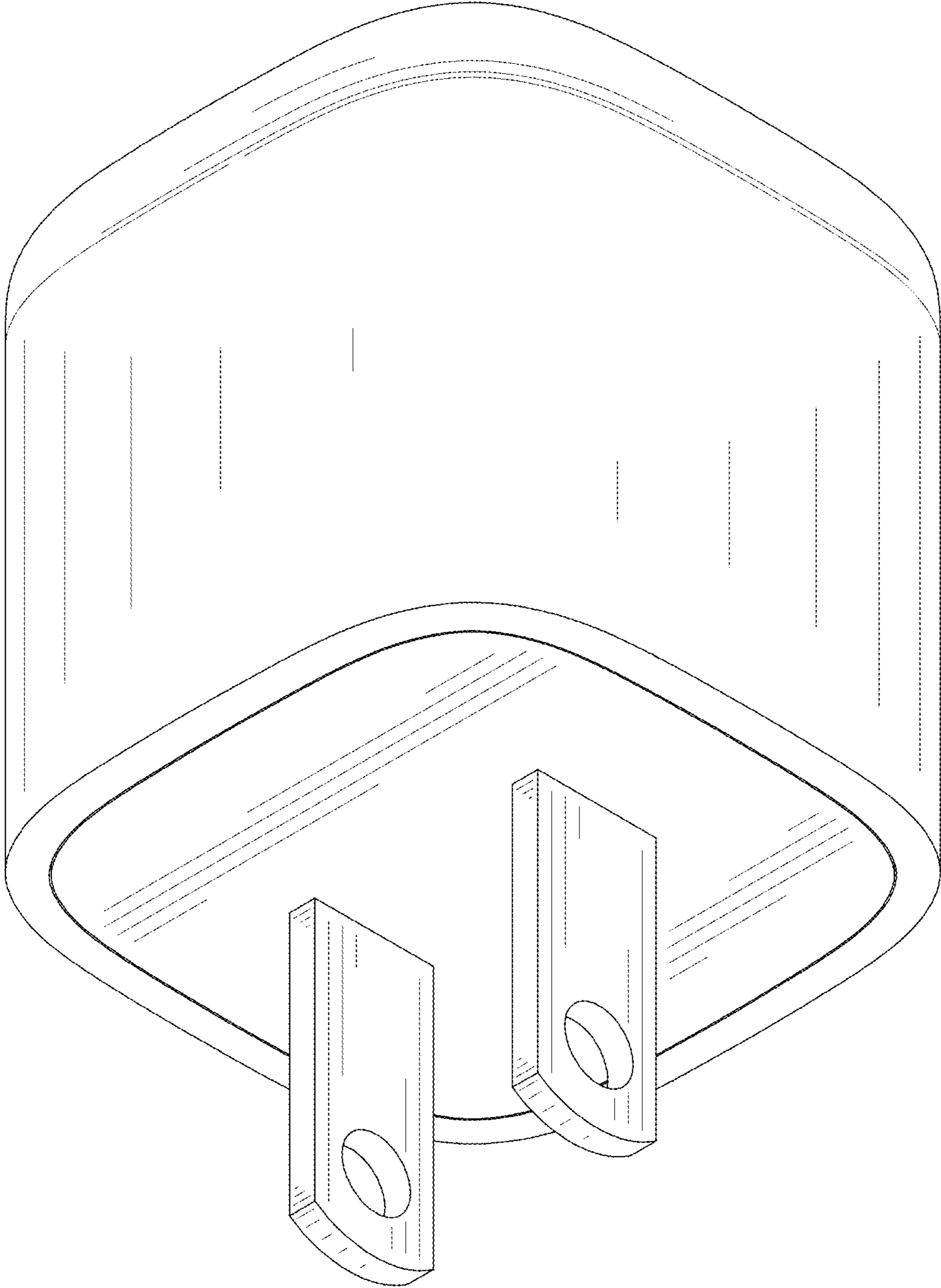


FIG. 2

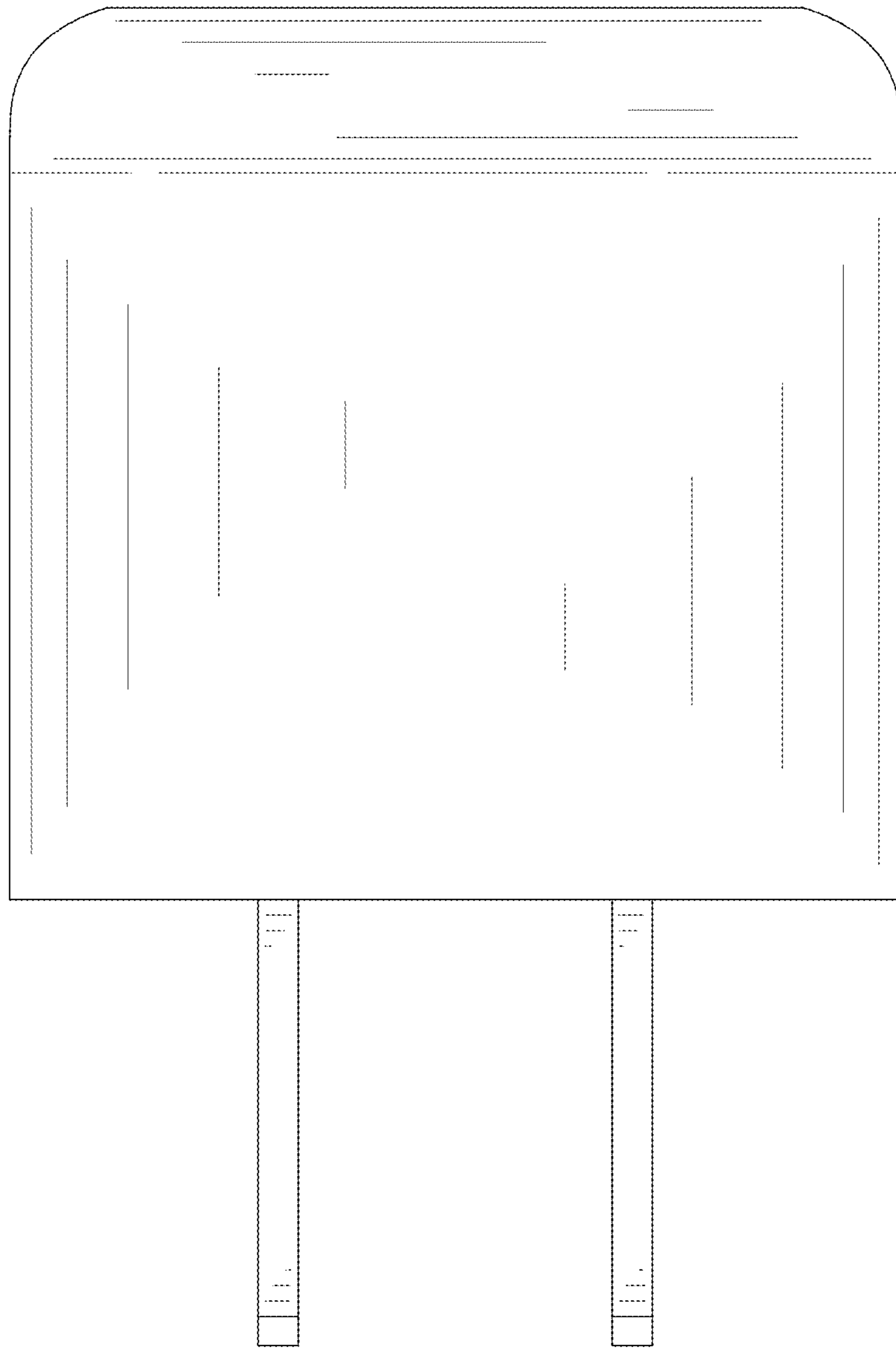


FIG. 3

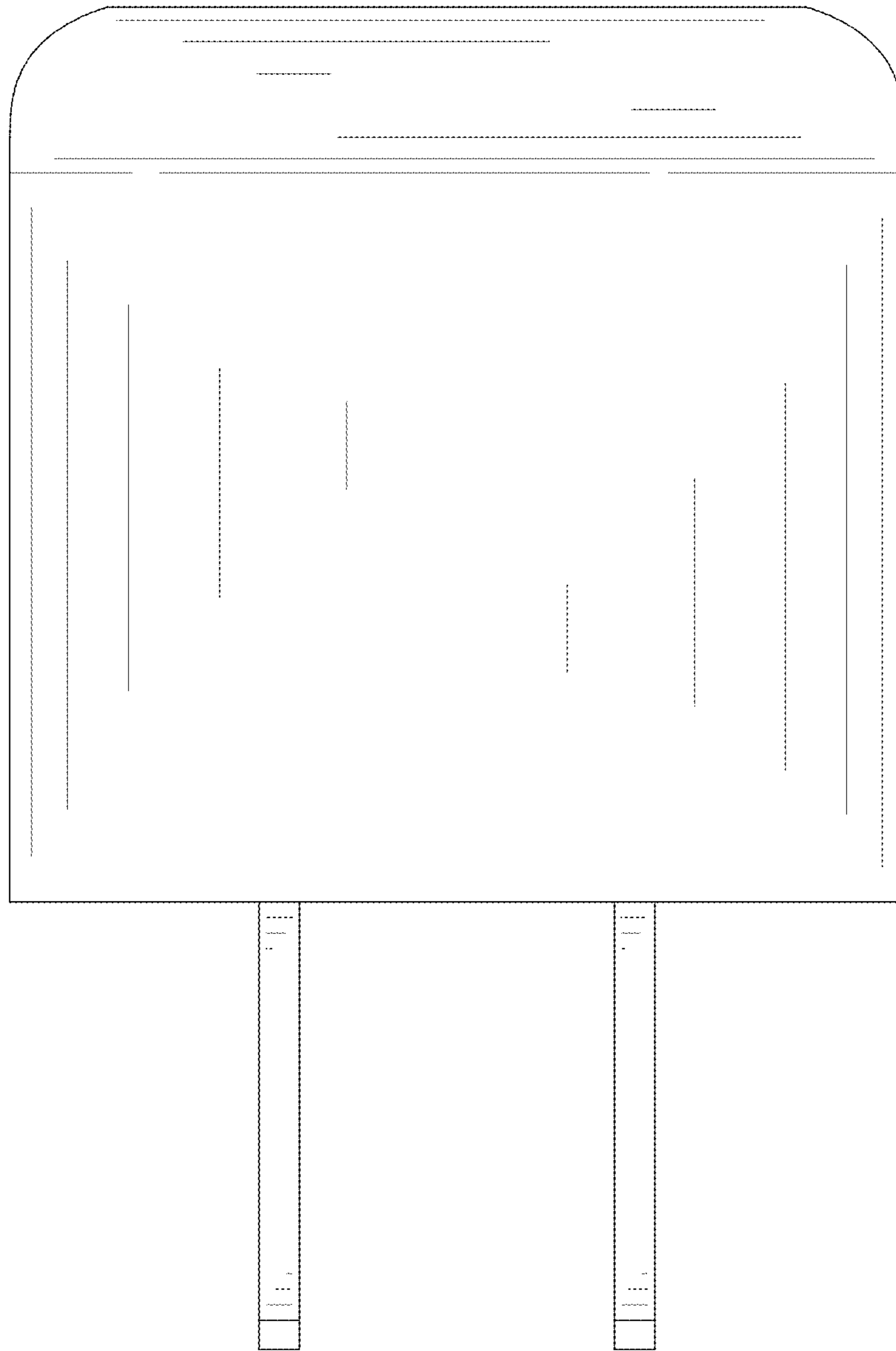


FIG. 4



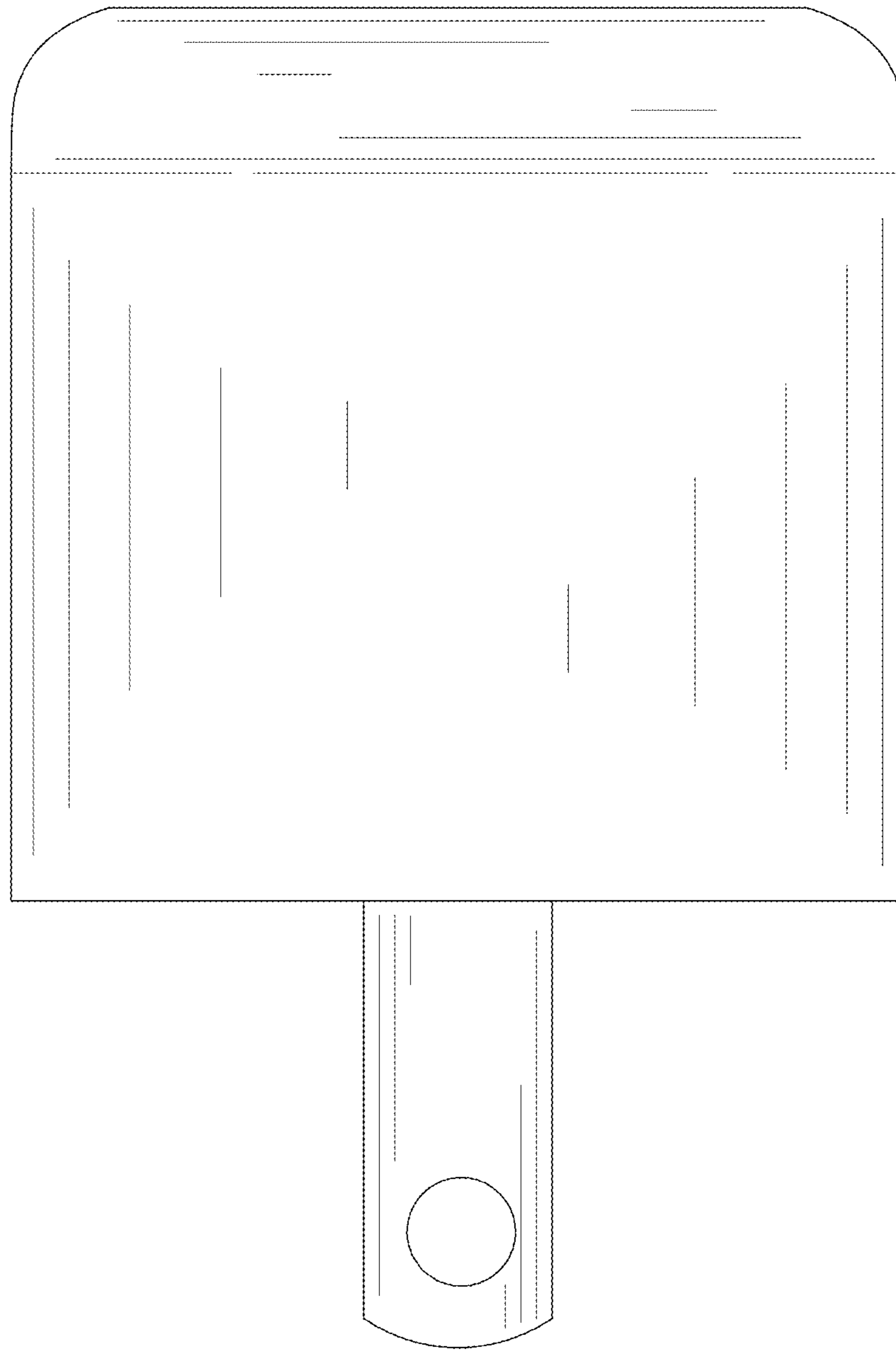


FIG. 5

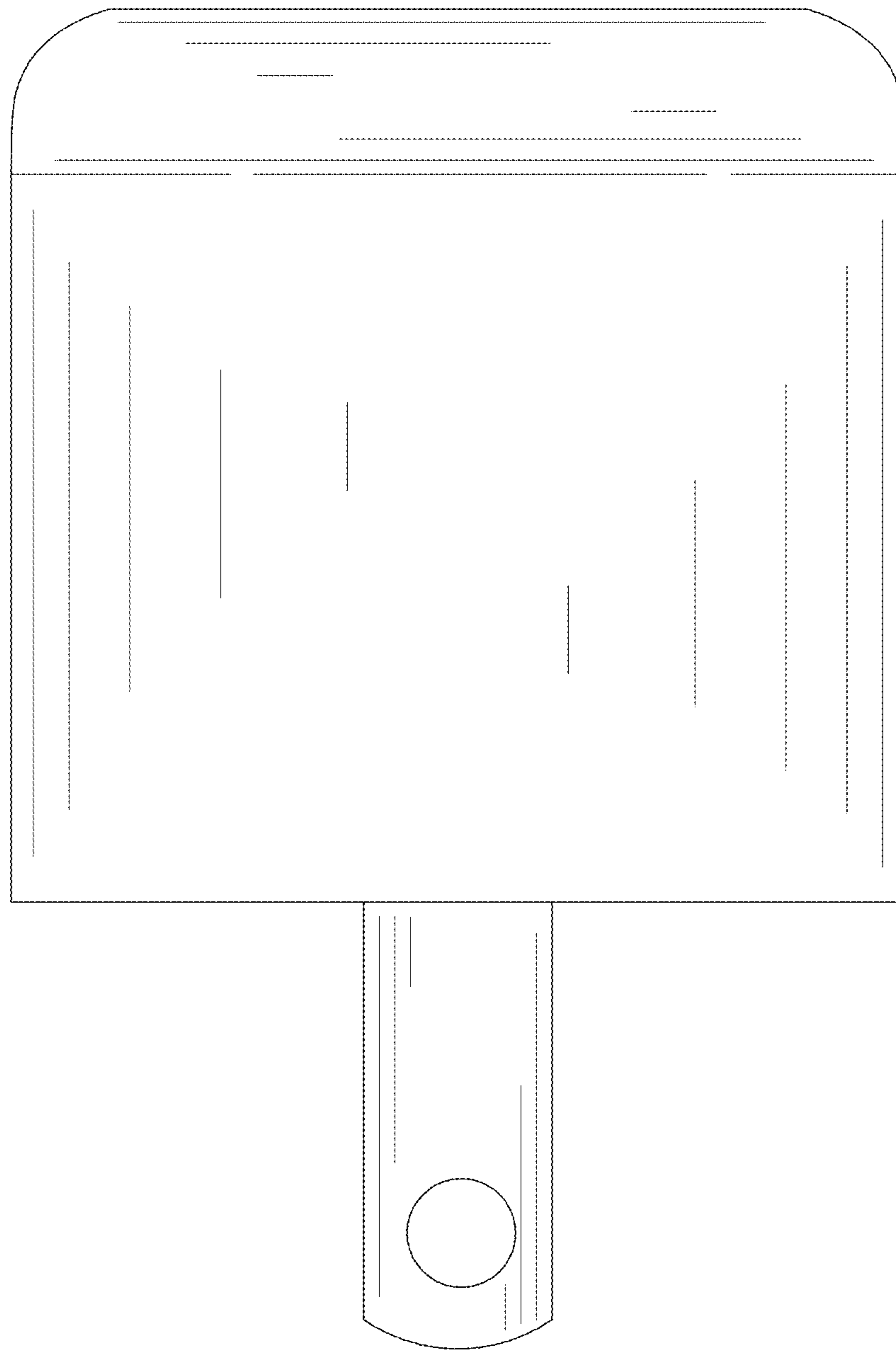


FIG. 6



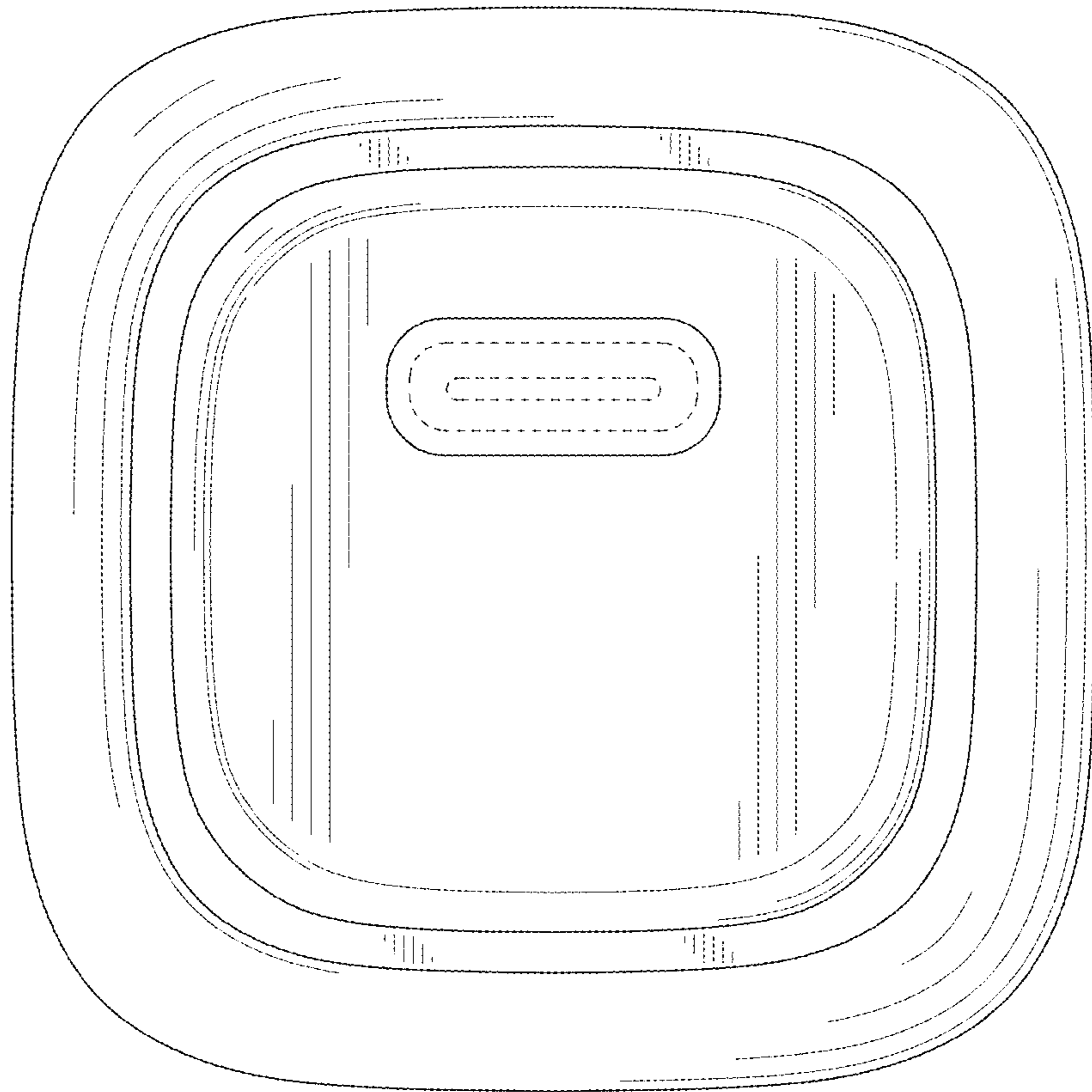


FIG. 7

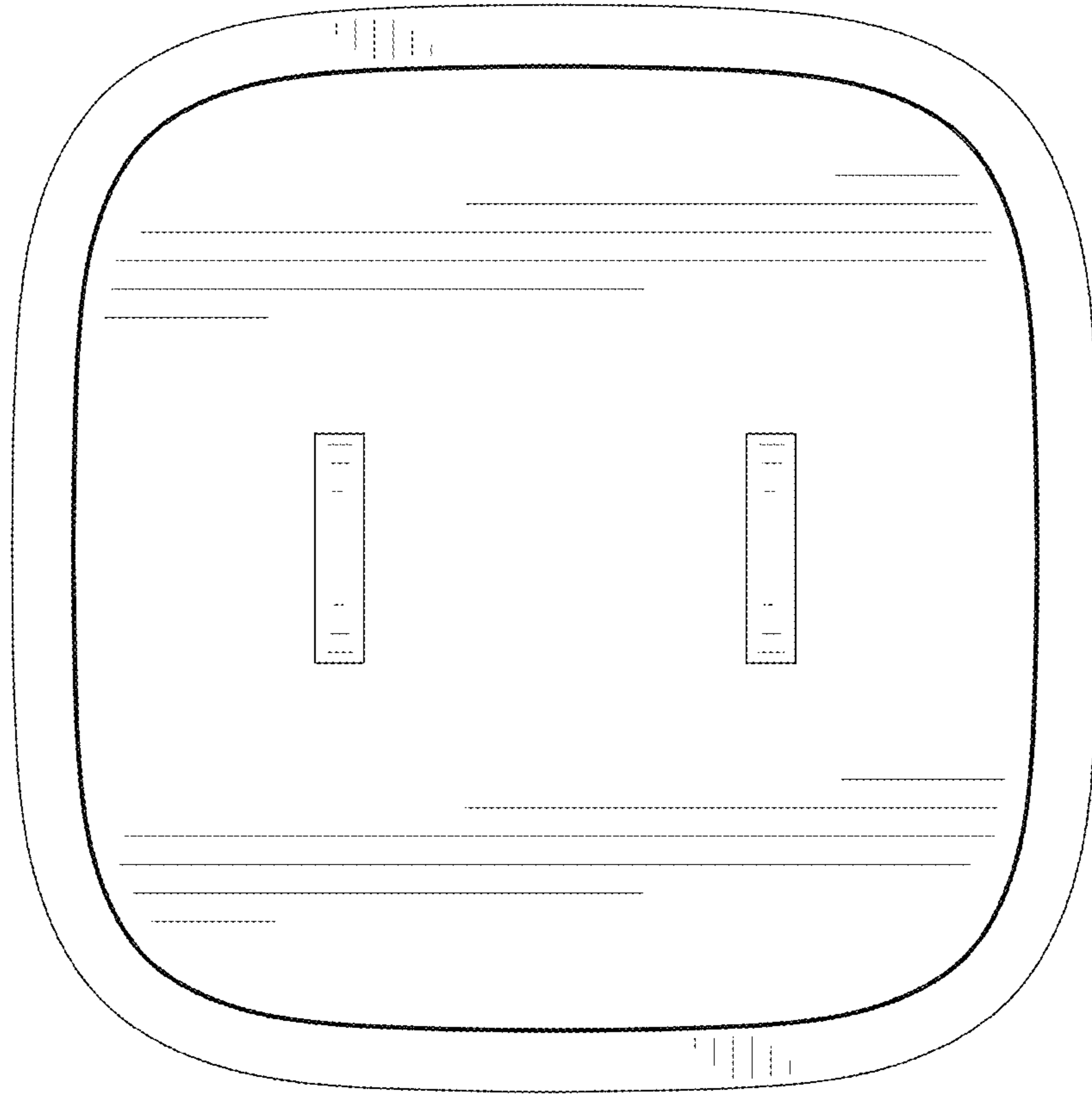


FIG. 8