



US00D939439S

(12) **United States Design Patent**
Wersland et al.

(10) **Patent No.: US D939,439 S**

(45) **Date of Patent: ** Dec. 28, 2021**

(54) **CHARGING STAND**

(71) Applicant: **Theragun, Inc.**, Beverly Hills, CA (US)

(72) Inventors: **Jason Wersland**, Manhattan Beach, CA (US); **Benjamin Nazarian**, Beverly Hills, CA (US); **Jaime Sanchez Solana**, Los Angeles, CA (US); **Eduardo Merino**, Beverly Hills, CA (US)

(73) Assignee: **THERABODY, INC.**, Beverly Hills, CA (US)

(**) Term: **15 Years**

(21) Appl. No.: **29/733,496**

(22) Filed: **May 4, 2020**

(51) **LOC (13) Cl.** **13-02**

(52) **U.S. Cl.**
USPC **D13/108**

(58) **Field of Classification Search**
USPC D13/103, 107, 108, 110, 118, 119, 122, D13/184, 199

CPC Y02E 60/12; Y02E 60/122; Y02E 60/124; Y02E 60/50; H02J 7/025; H02J 7/0042; H02J 7/0044; H02J 7/0045; H02J 7/0003; H01R 13/6675; H01M 2/1022; H01M 2/1055; H01M 10/44; H01M 10/46; H01M 10/425; B60L 11/182

See application file for complete search history.

(56) **References Cited**

U.S. PATENT DOCUMENTS

D673,113 S * 12/2012 Fowler D13/110
D893,421 S * 8/2020 Xiao D13/108
D897,282 S * 9/2020 Ye D13/107
D900,735 S * 11/2020 He D13/108

D901,379 S * 11/2020 Choi D13/108
D906,958 S * 1/2021 Fitzgerald D13/108
D906,959 S * 1/2021 Turksu D13/108
D908,615 S * 1/2021 Byrne D13/108
D911,955 S * 3/2021 Turksu D13/108
D918,137 S * 5/2021 Painter D13/108
2014/0129029 A1 * 5/2014 Wu G01S 7/487
700/258

OTHER PUBLICATIONS

All3sports.com: Theragun Multi Device Wireless Charging Stand. Publish date of Jun. 11, 2021. Retrieved from the internet at <<https://www.all3sports.com/products/theragun-multi-device-wireless-charging-stand>>, Jun. 11, 2021. 1 page. (Year: 2021).*

* cited by examiner

Primary Examiner — Christy Nemeth

(74) *Attorney, Agent, or Firm* — Jeffer Mangels; Butler & Mitchell LLP; Brennan C. Swain, Esq.

(57) **CLAIM**

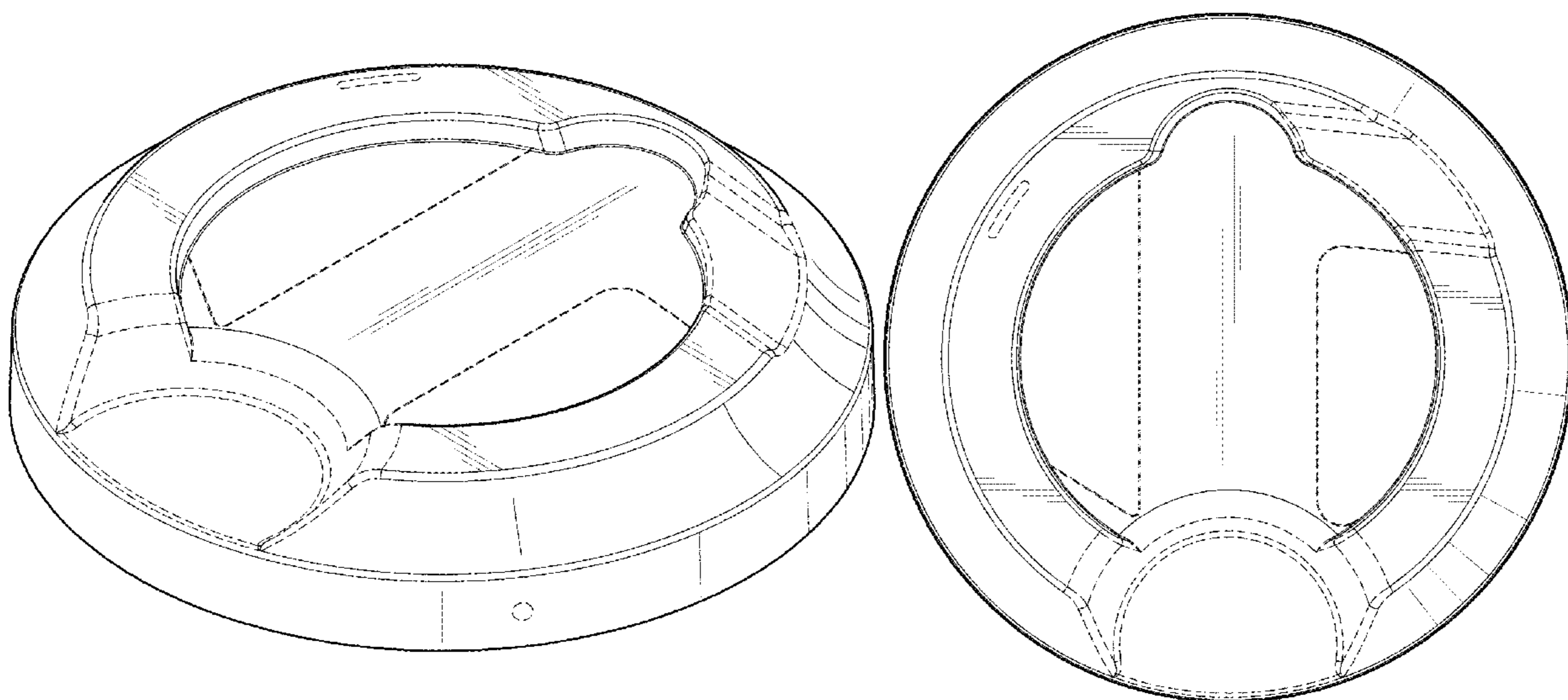
The ornamental design for a charging stand, as shown and described.

DESCRIPTION

FIG. 1 is a top perspective view of a charging stand, showing our new design;
FIG. 2 is a front elevational view thereof;
FIG. 3 is a rear elevational view thereof;
FIG. 4 is a left side elevational thereof;
FIG. 5 is a right side elevational view thereof;
FIG. 6 is a top plan view thereof; and,
FIG. 7 is a bottom plan view thereof.

The broken lines shown in the figures are for the purpose of illustrating portions of the charging stand that form no part of the claimed design.

1 Claim, 5 Drawing Sheets



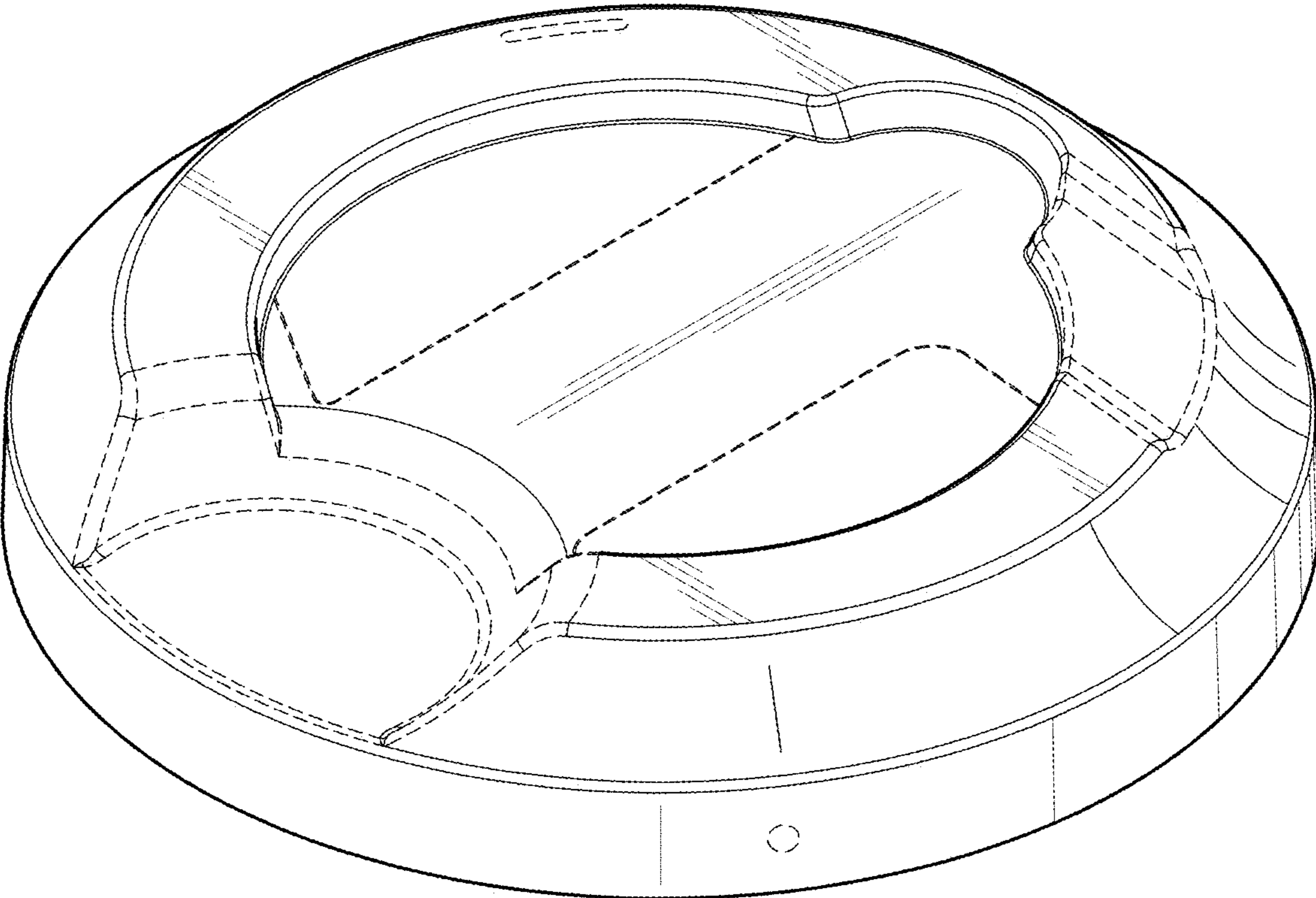


FIG. 1

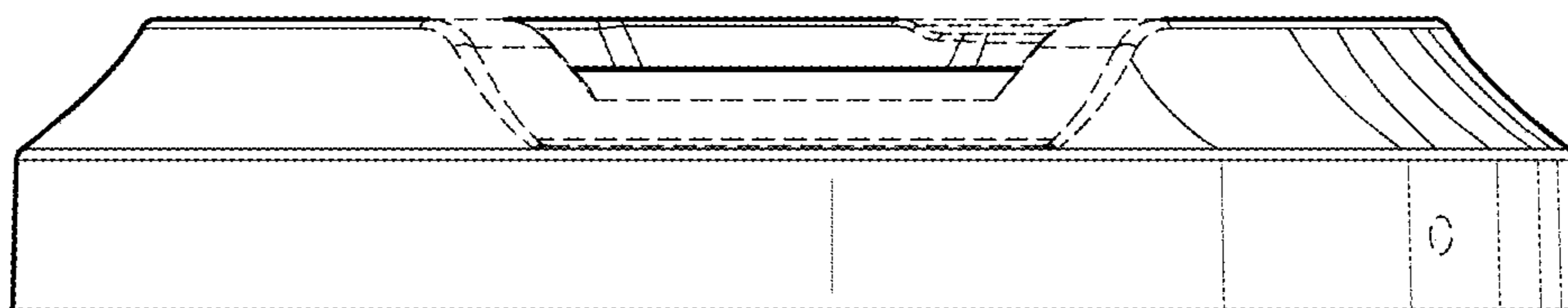


FIG. 2

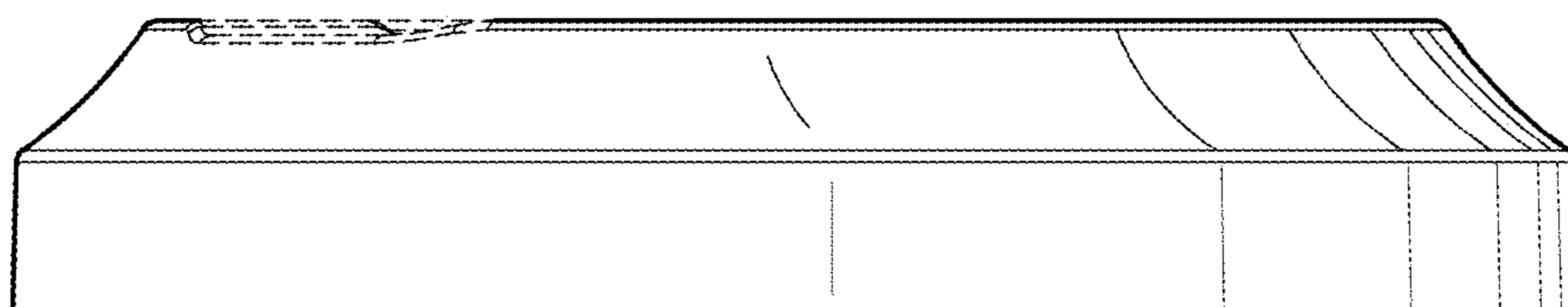


FIG. 3

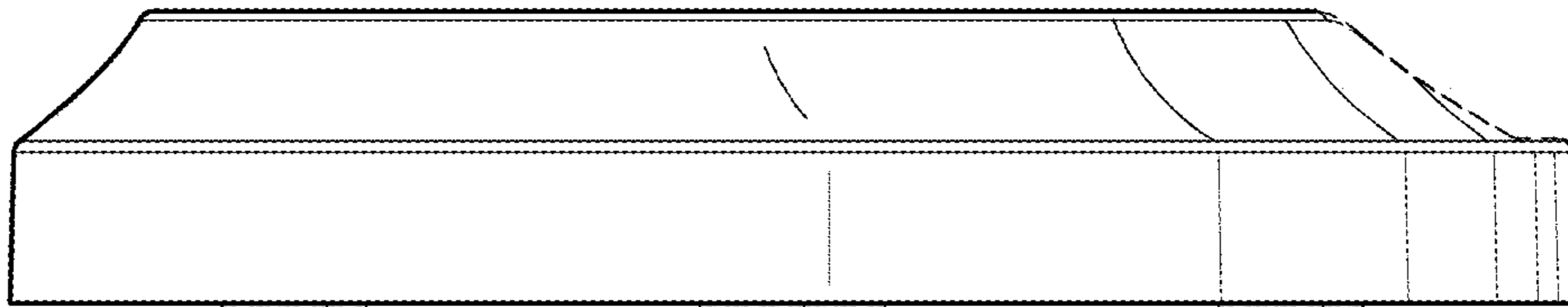


FIG. 4

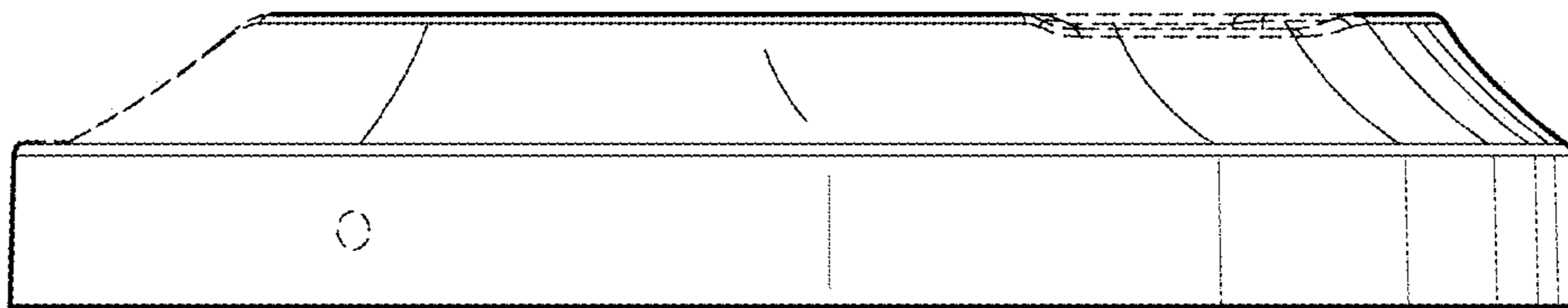


FIG. 5

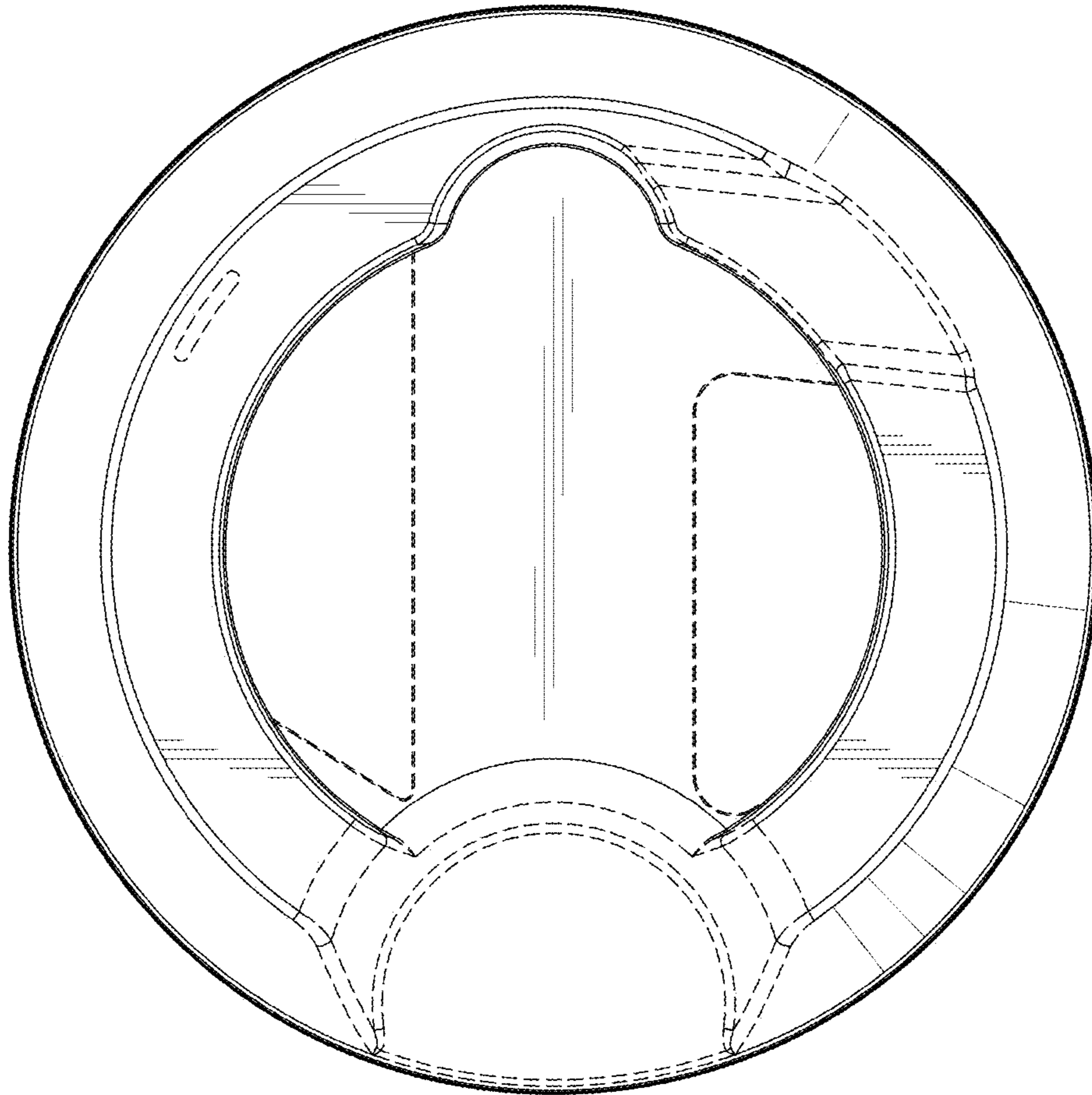


FIG. 6

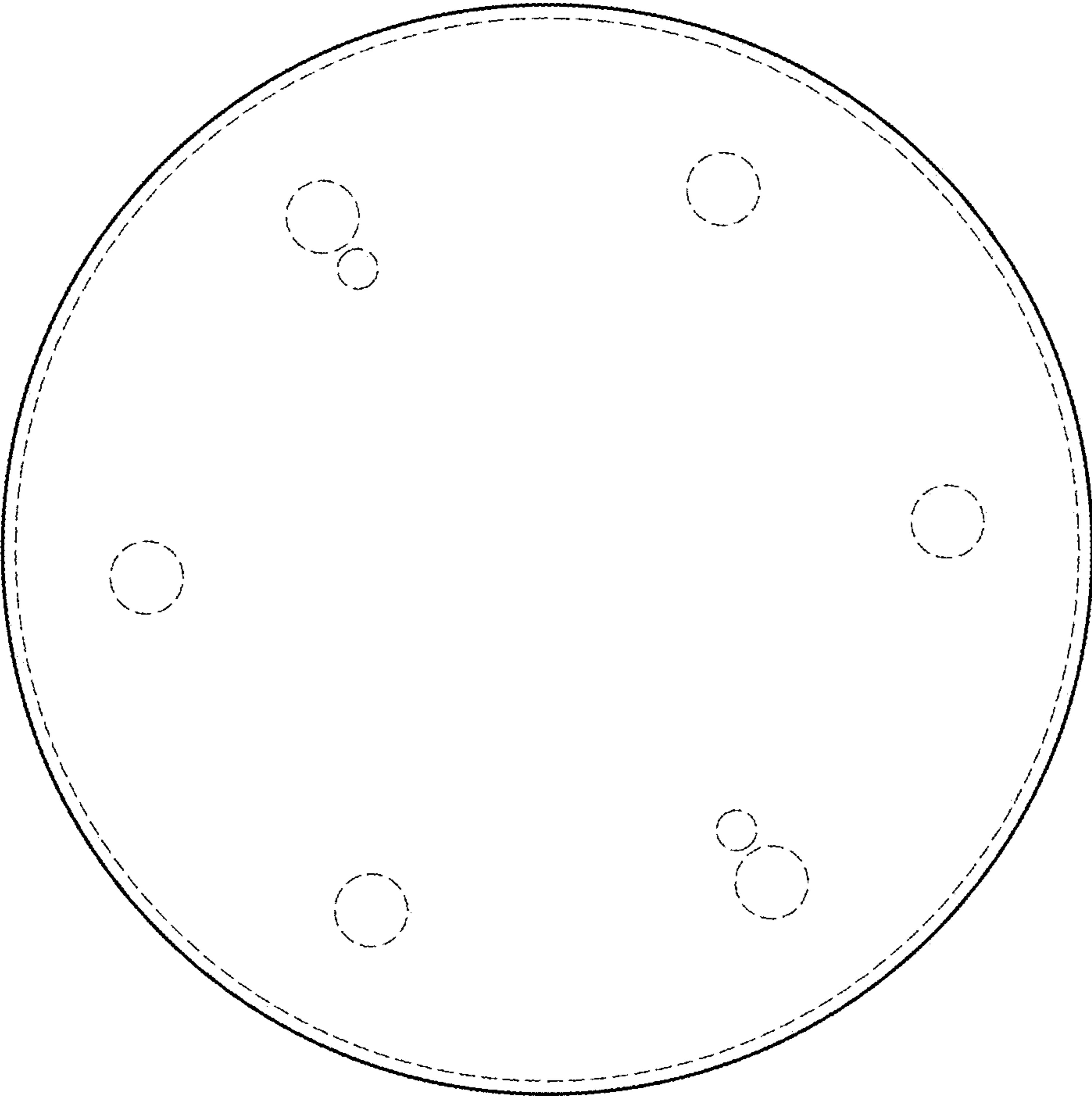


FIG. 7