



US00D939438S

(12) **United States Design Patent**
Hu et al.

(10) **Patent No.:** **US D939,438 S**

(45) **Date of Patent:** **** Dec. 28, 2021**

(54) **CHARGER**

(71) Applicant: **LUXSHARE PRECISION INDUSTRY CO., LTD.**, Shenzhen (CN)

(72) Inventors: **LinBiao Hu**, Dongguan (CN); **Hua Yi**, Dongguan (CN); **ZuoHua Huang**, Dongguan (CN)

(73) Assignee: **LUXSHARE PRECISION INDUSTRY CO., LTD.**, Shenzhen (CN)

(**) Term: **15 Years**

(21) Appl. No.: **29/721,043**

(22) Filed: **Jan. 17, 2020**

(30) **Foreign Application Priority Data**

Sep. 2, 2019 (CN) 201930481886.X

(51) **LOC (13) Cl.** **13-02**

(52) **U.S. Cl.**
USPC **D13/108**

(58) **Field of Classification Search**
USPC D13/103, 107, 108, 109, 110, 118, 119, D13/199; D14/251, 253, 432, 433, 434; D27/172, 183, 193, 194
CPC H01M 2220/00; H02J 50/00; H02J 15/00
See application file for complete search history.

(56) **References Cited**

U.S. PATENT DOCUMENTS

D572,170 S	*	7/2008	Nielsen	D11/207
D628,151 S	*	11/2010	Wegener	D13/108
D680,063 S	*	4/2013	Sasada	D13/103
D725,034 S	*	3/2015	Chen	D13/108
D742,823 S	*	11/2015	Nitz	D13/108
D752,521 S	*	3/2016	Place	D13/153
D800,653 S	*	10/2017	Smiedt	D13/107

(Continued)

OTHER PUBLICATIONS

“Ihrtrade Retractable Cable”. Found online Jul. 9, 2021 at ihrtrade.tw. Reference dated Jun. 3, 2018. Retrieved from https://tineye.com/search/b0f8e0024f9c5ae3211e9fb6c9777b10fa6d6729?sort=crawl_date&order=asc&page=1 (Year: 2018).*

(Continued)

Primary Examiner — Kendra Leslie Hamilton

Assistant Examiner — Amanda Christensen

(74) *Attorney, Agent, or Firm* — Birch, Stewart, Kolasch & Birch, LLP

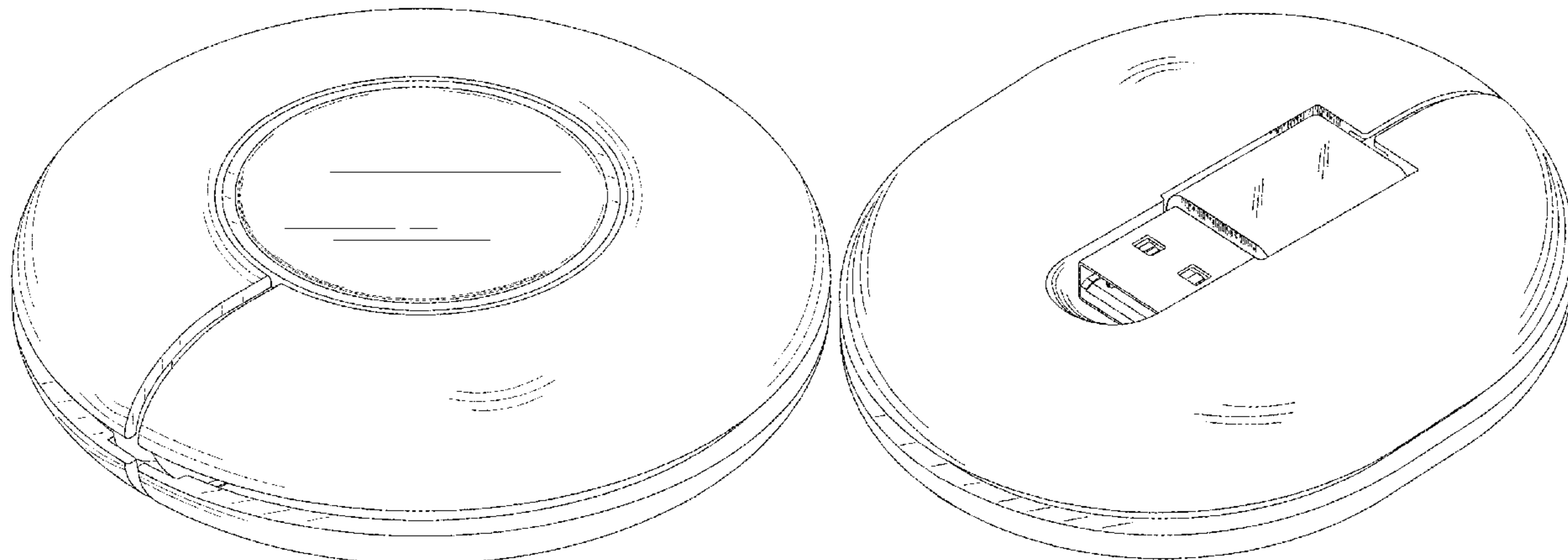
(57) **CLAIM**

The ornamental design for a charger, as shown and described.

DESCRIPTION

FIG. 1 is a top, front, right side perspective view of a first embodiment of a charger, showing our new design; FIG. 2 is a bottom, rear, right side perspective view thereof; FIG. 3 is a front view thereof; FIG. 4 is a rear view thereof; FIG. 5 is a left side view thereof; FIG. 6 is a right side view thereof; FIG. 7 is a top view thereof; FIG. 8 is a bottom view thereof; FIG. 9 is a top, front, right side perspective view of a second embodiment of a charger, showing our new design; FIG. 10 is a bottom, rear, right side perspective view thereof; FIG. 11 is a front view thereof; FIG. 12 is a rear view thereof; FIG. 13 is a left side view thereof; FIG. 14 is a right side view thereof; FIG. 15 is a top view thereof; and, FIG. 16 is a bottom view thereof.

1 Claim, 16 Drawing Sheets



(56)

References Cited

U.S. PATENT DOCUMENTS

D855,567	S	8/2019	Cai	
D875,519	S *	2/2020	Giwani D9/418
D875,678	S *	2/2020	Kim D13/108
2007/0020993	A1 *	1/2007	Symons B65H 75/14 439/501
2012/0268064	A1 *	10/2012	Ostrom G06F 1/26 320/108
2013/0187606	A1 *	7/2013	Ting H02J 7/0042 320/114
2014/0042969	A1 *	2/2014	Miller H02J 7/0047 320/111

OTHER PUBLICATIONS

“Vinmax Cable Organizer”. Found online Jul. 9, 2021 at amazon.com. Reference dated Sep. 8, 2017. Retrieved from https://www.amazon.com/Tangle-Free-Organizer-Headphone-Shortener-Lightening/dp/B075GVX5YY/ref=pd_bxgy_1/132-9804480-5734033. (Year: 2017).*

“Samsung Wireless Fast Charging Pad”. Found online May 18, 2021 at amazon.com. Reference dated Feb. 17, 2019. Retrieved from https://www.amazon.com/Samsung-Wireless-Charger-Pad-Slim/dp/B07HBKQK98/ref=asc_df_B07HBKQK98/. (Year: 2019).*

* cited by examiner

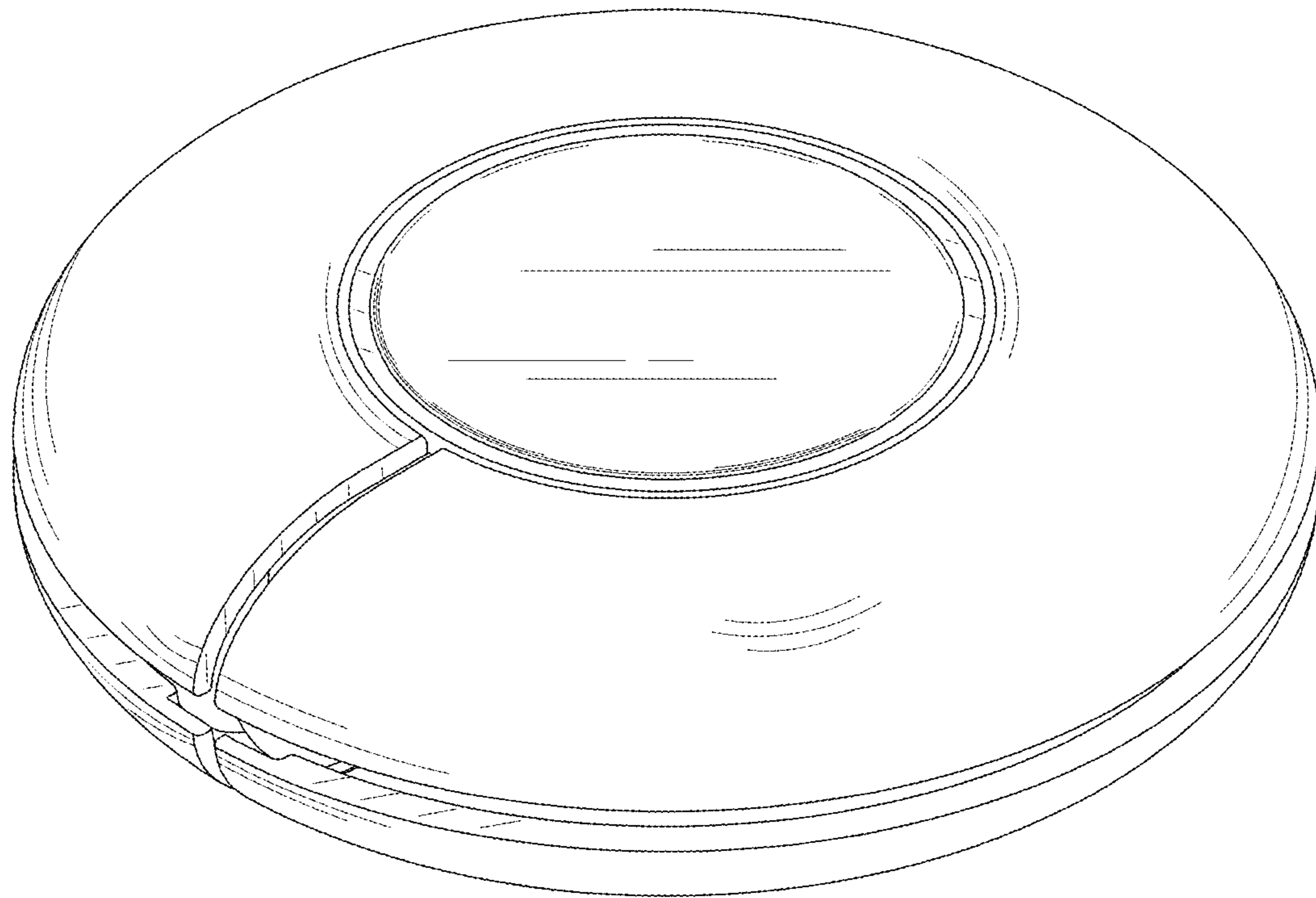


FIG. 1

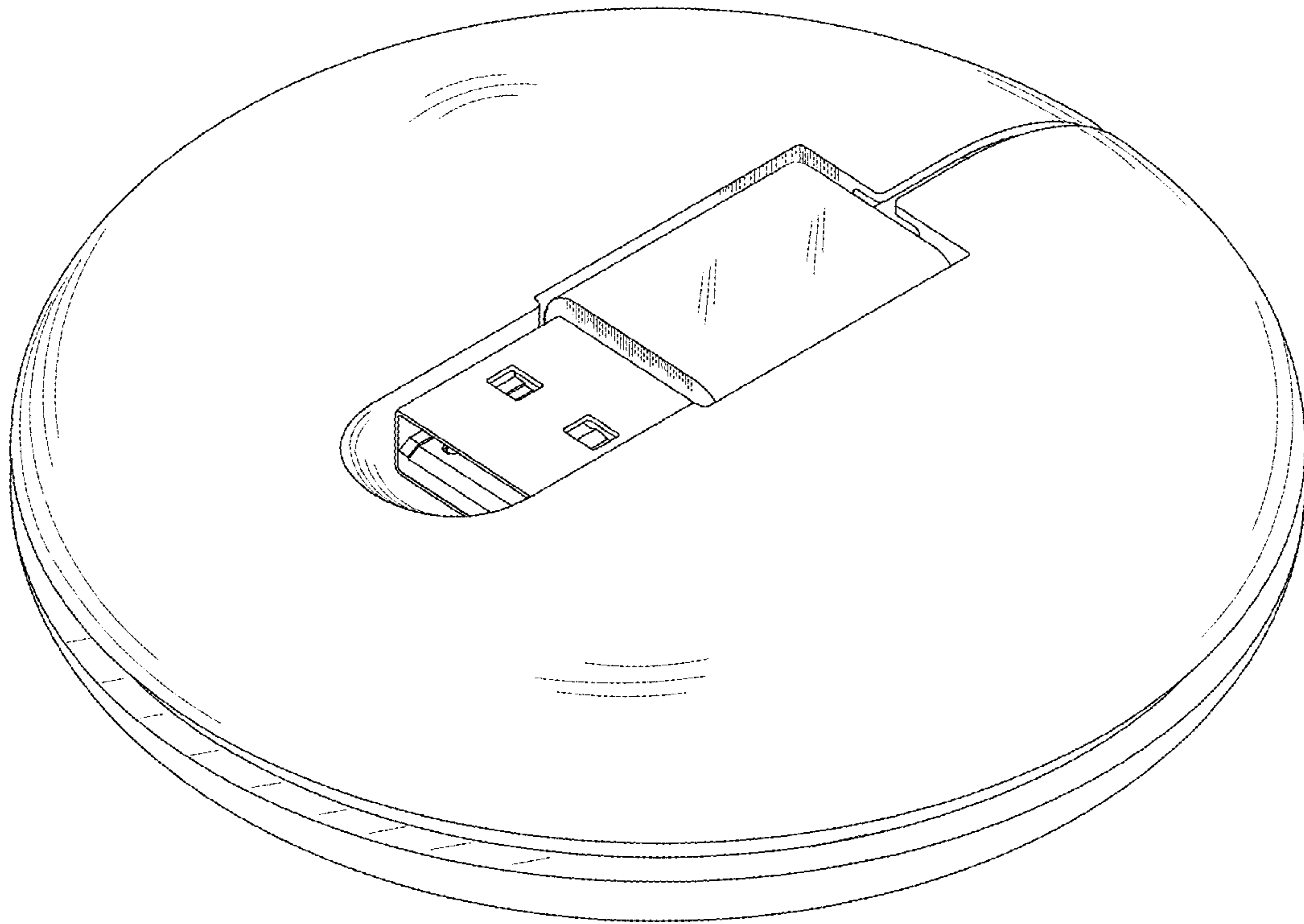


FIG. 2

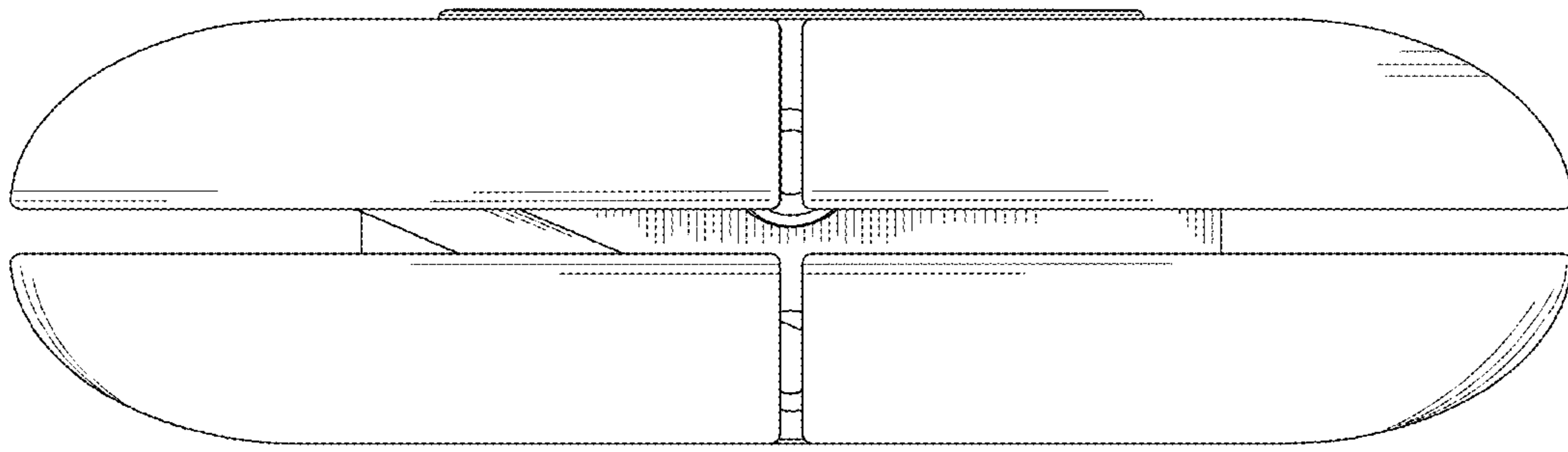


FIG. 3

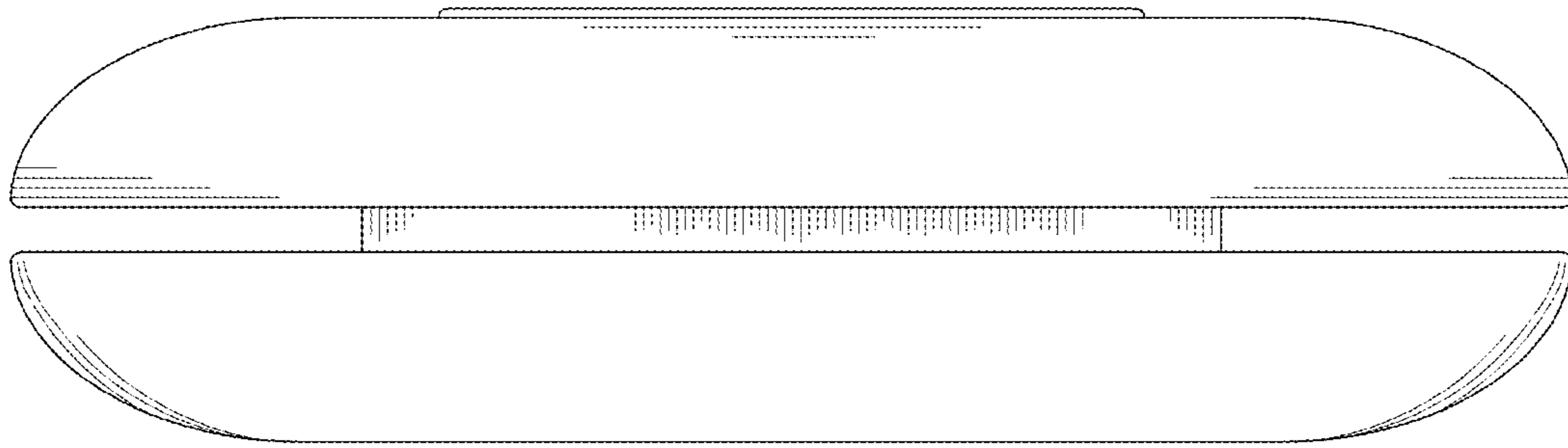


FIG. 4

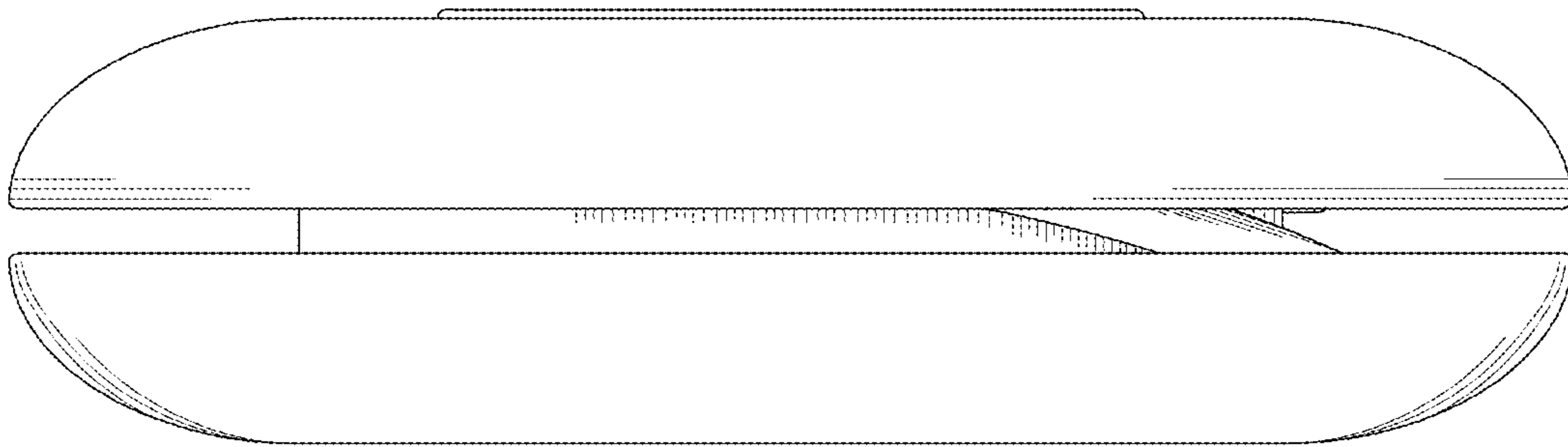


FIG. 5

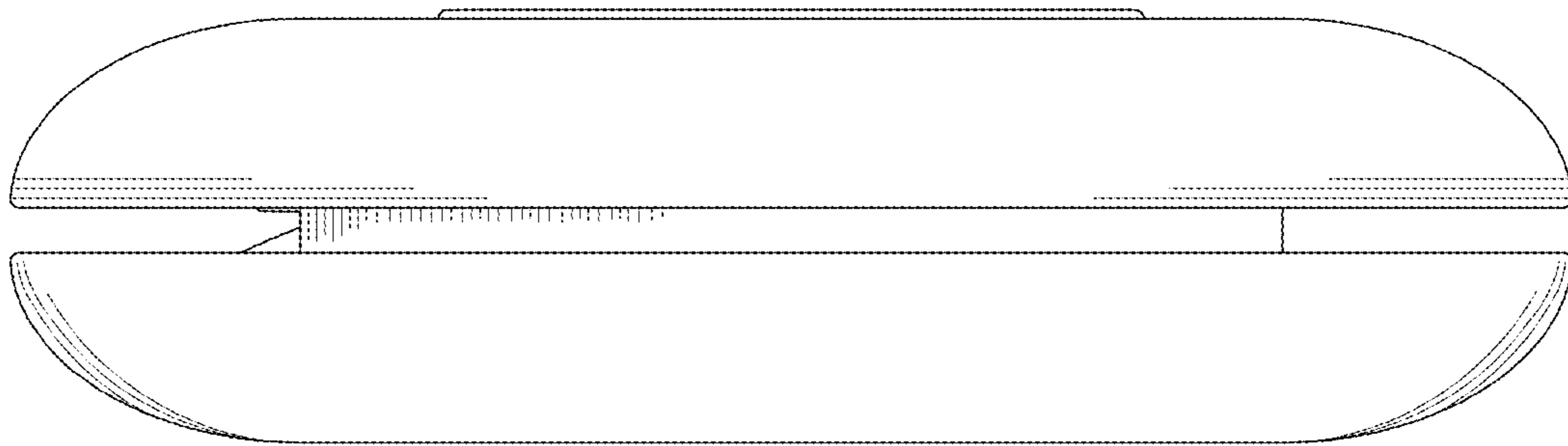


FIG. 6

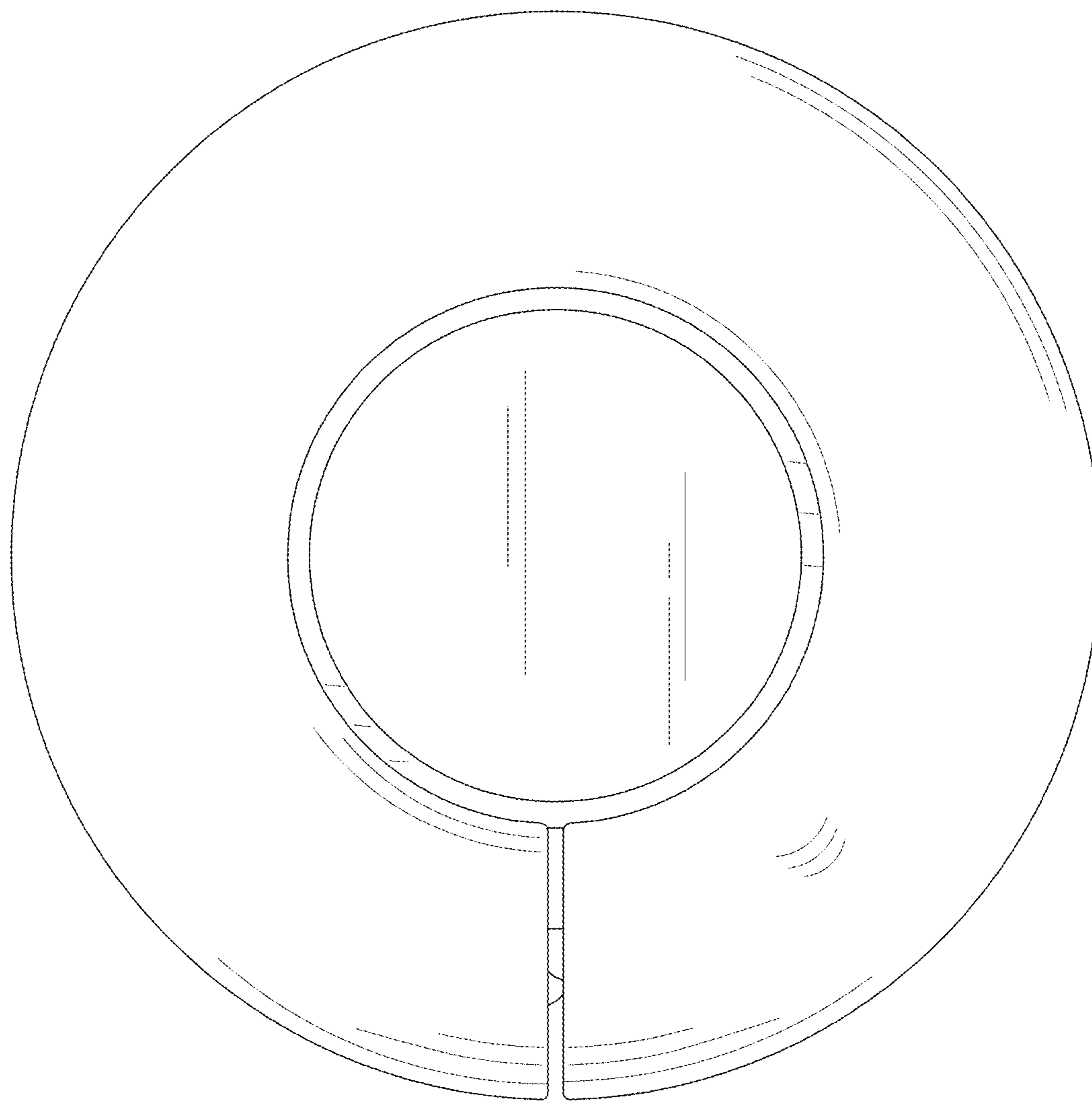


FIG. 7

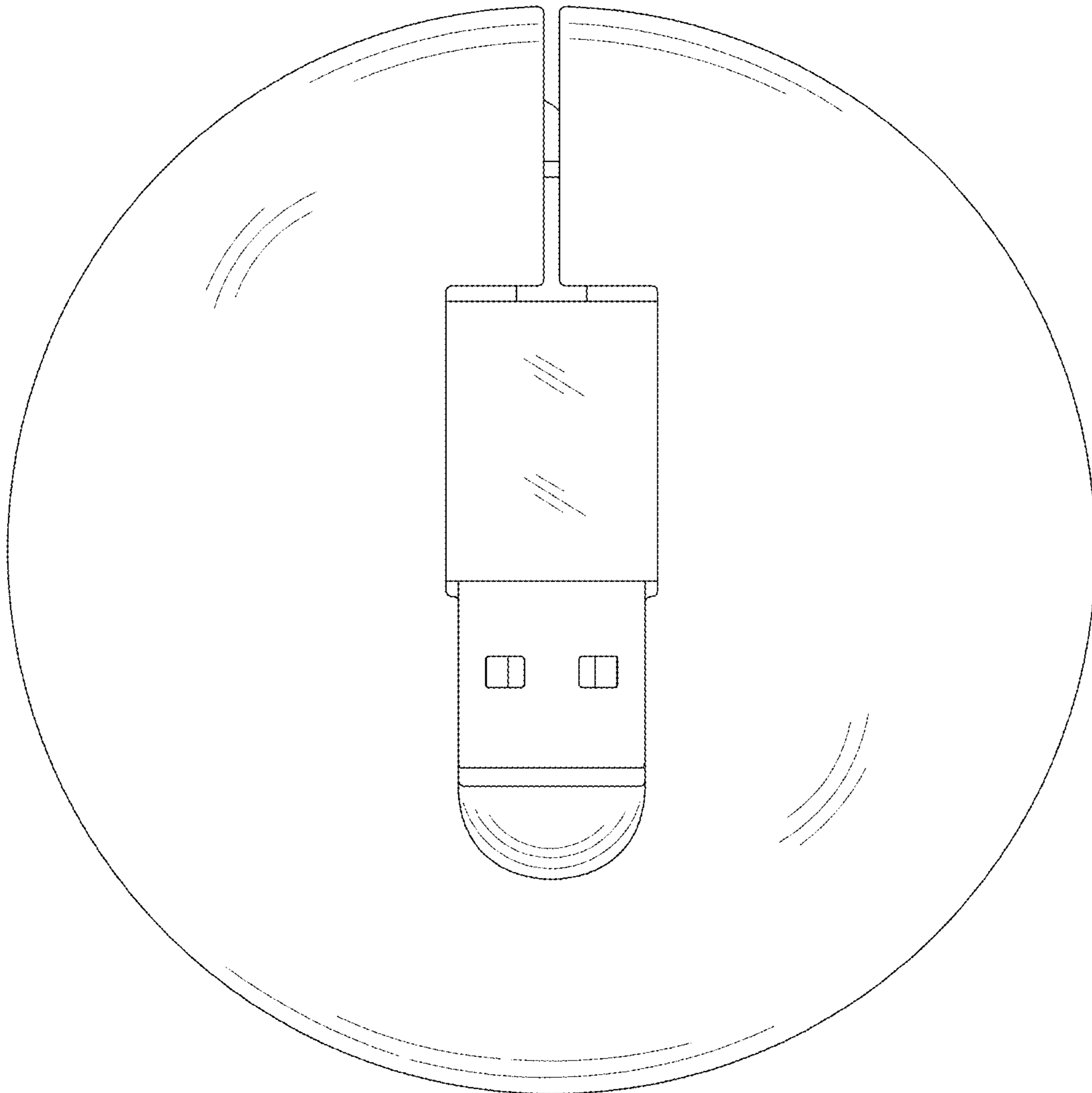


FIG. 8

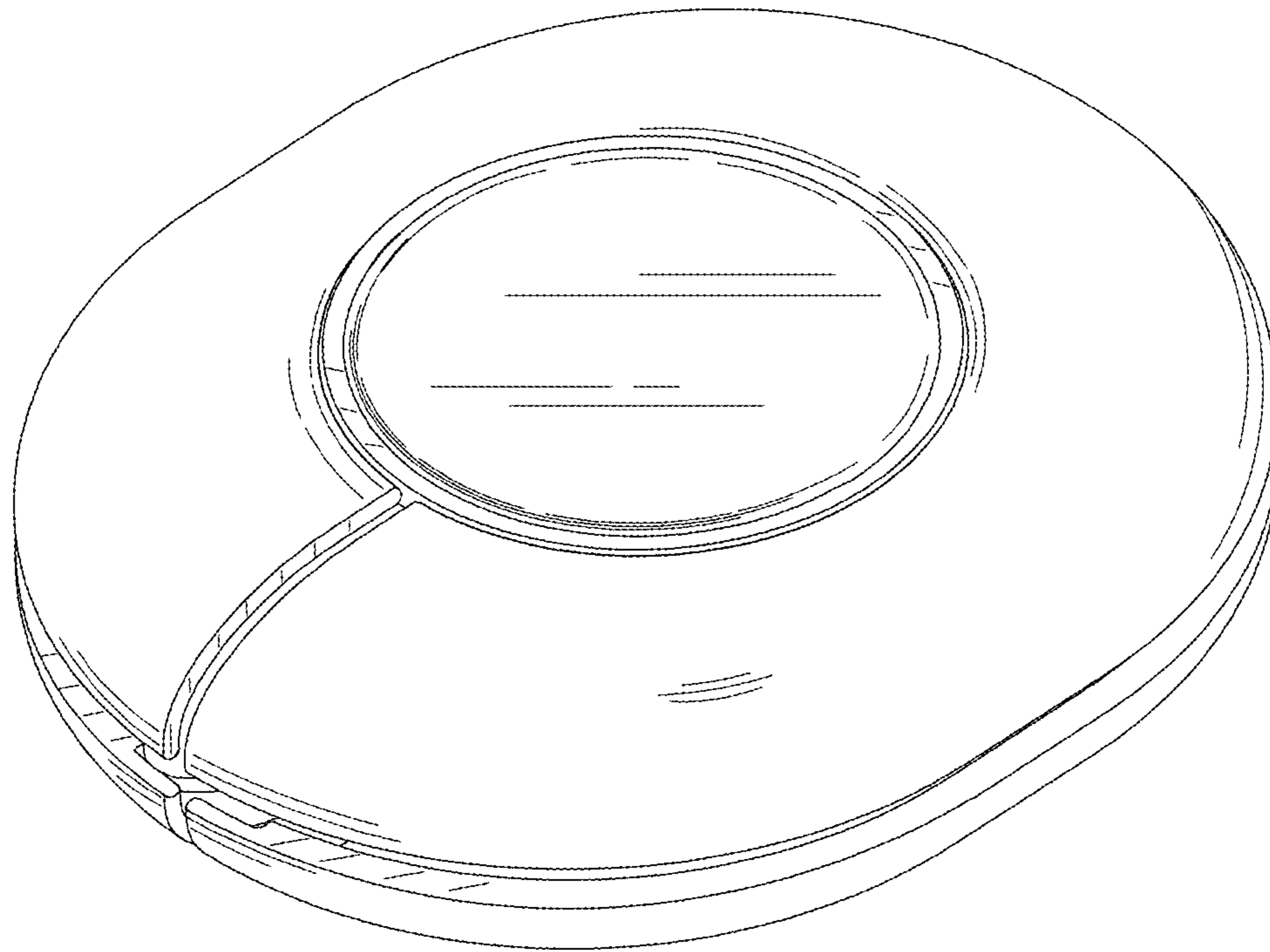


FIG. 9

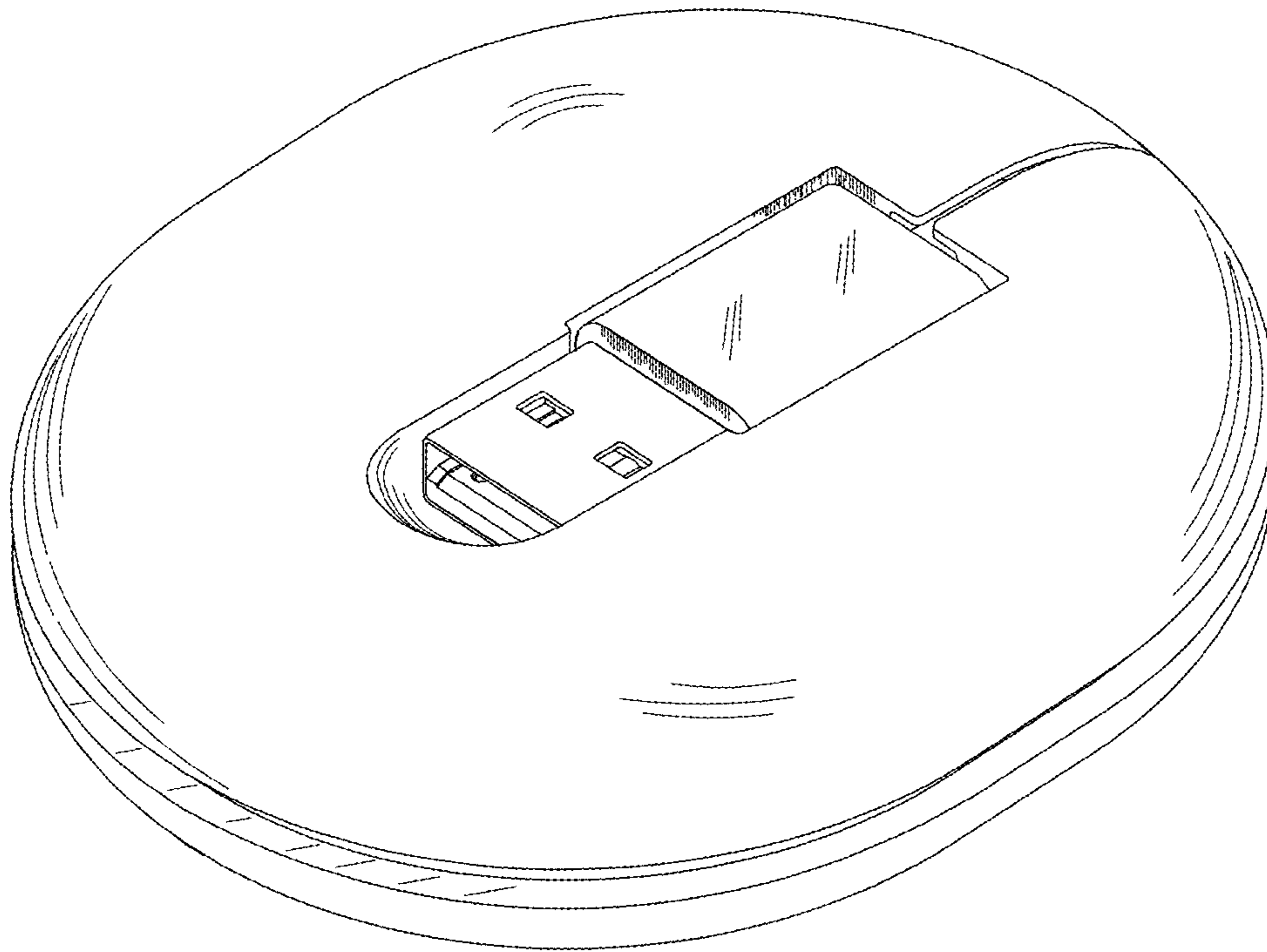


FIG. 10

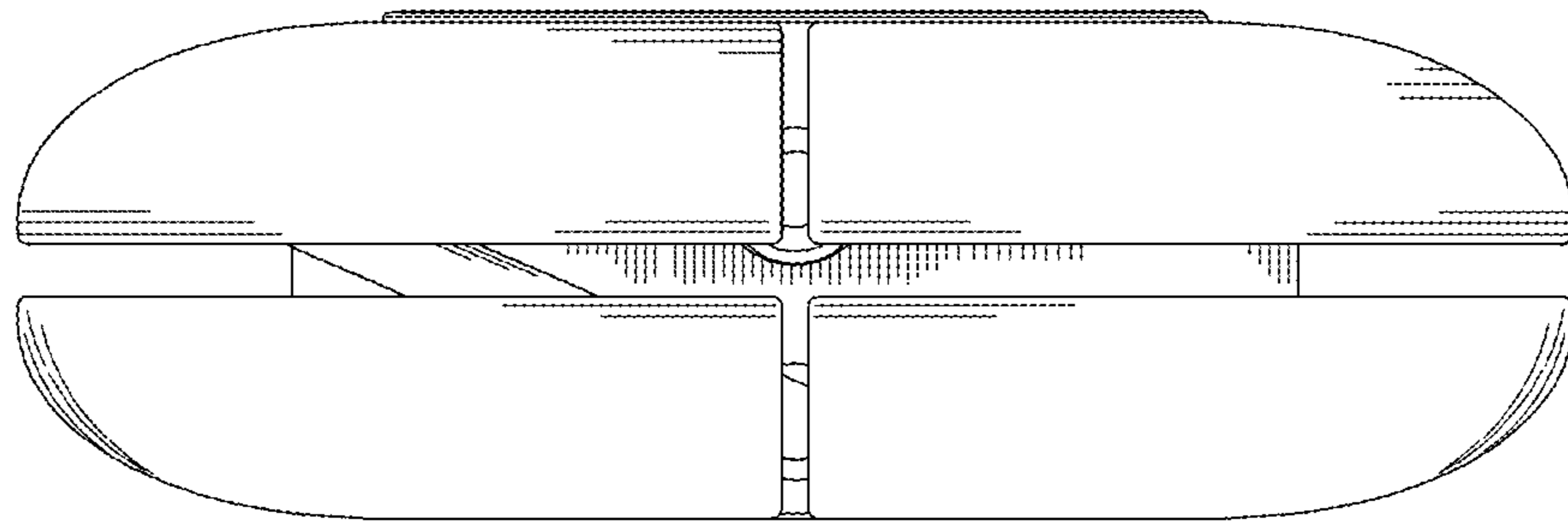


FIG. 11

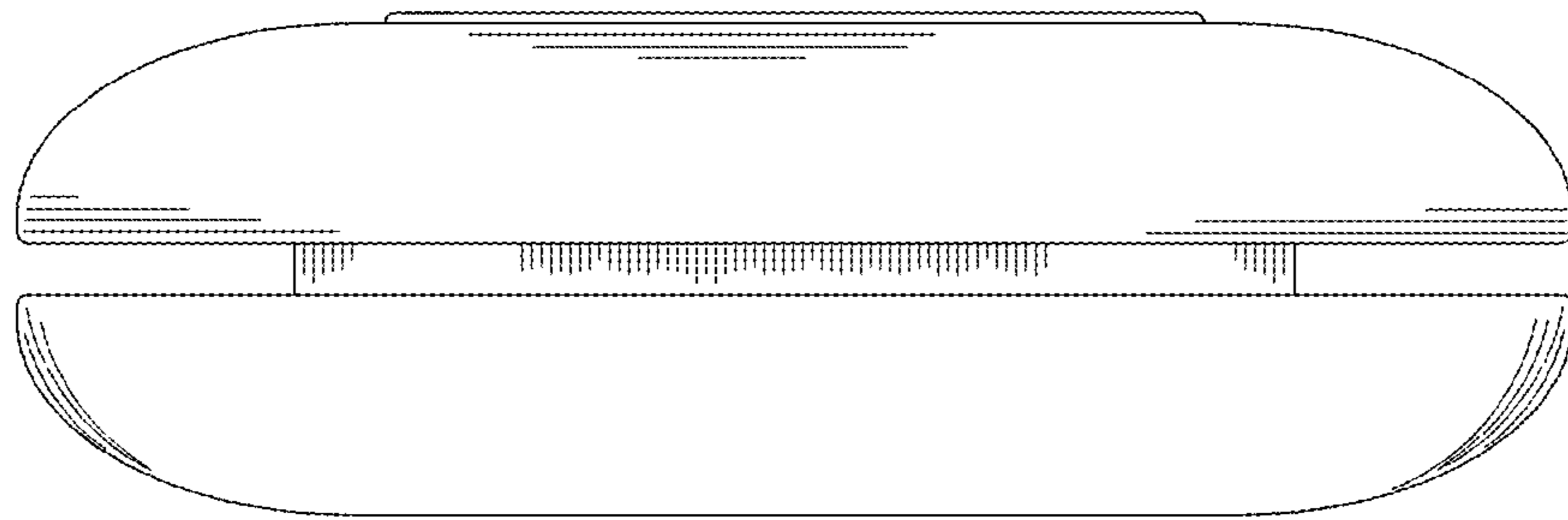


FIG. 12

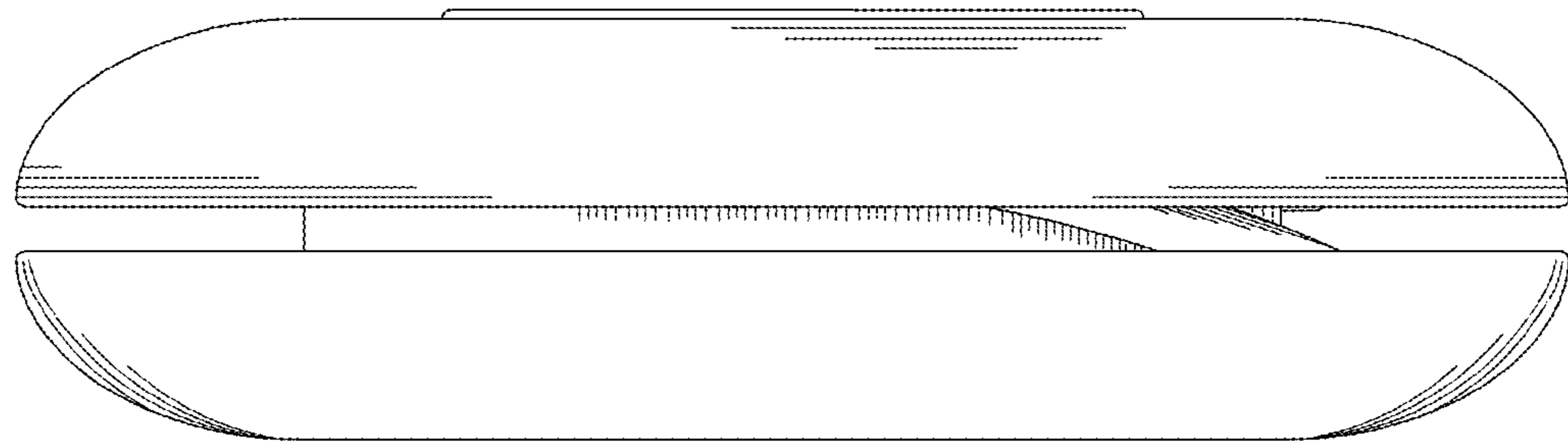


FIG. 13

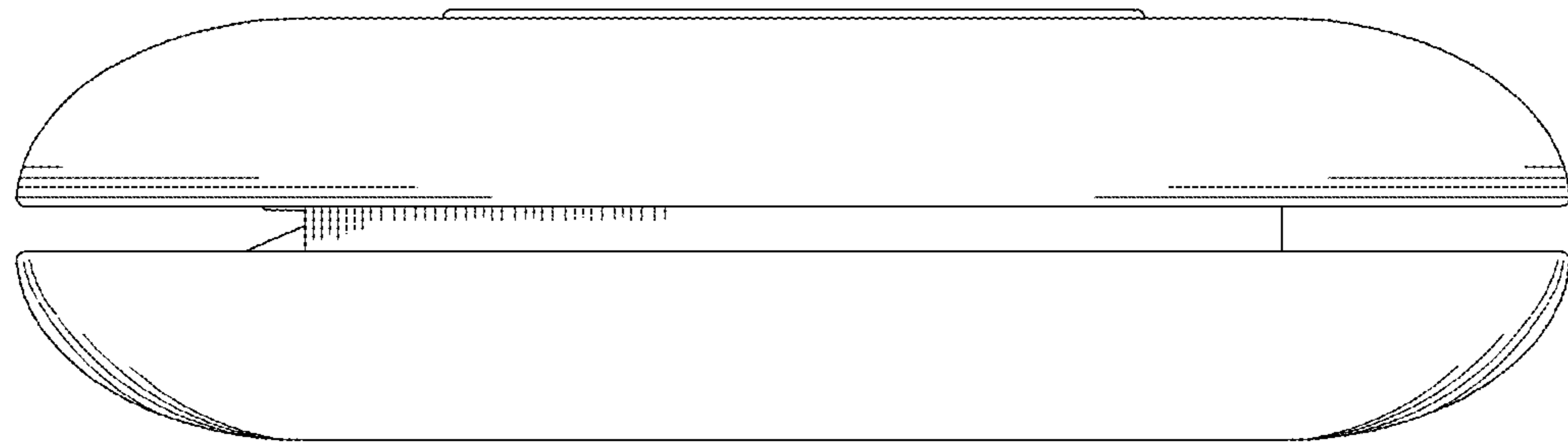


FIG. 14

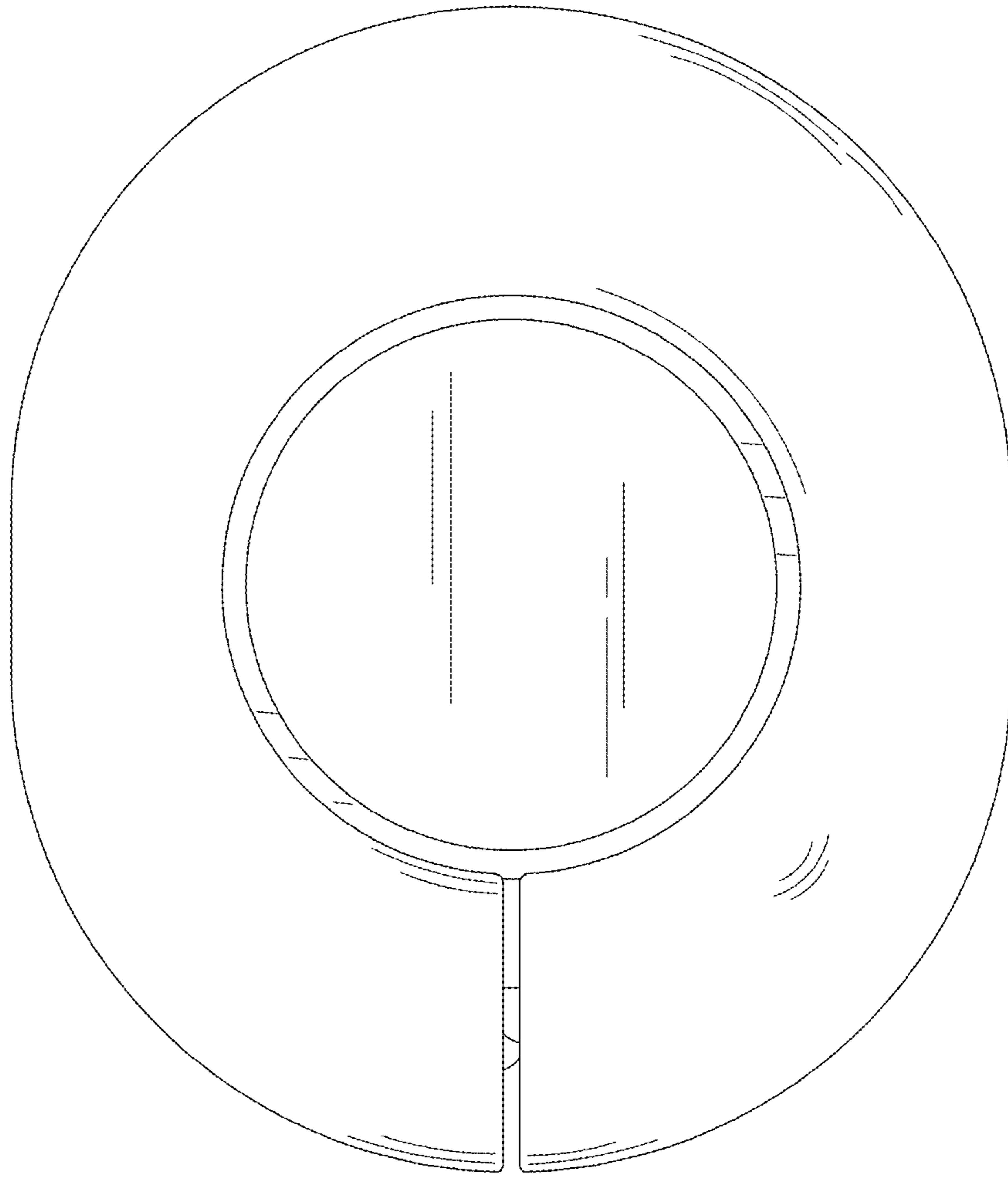


FIG. 15

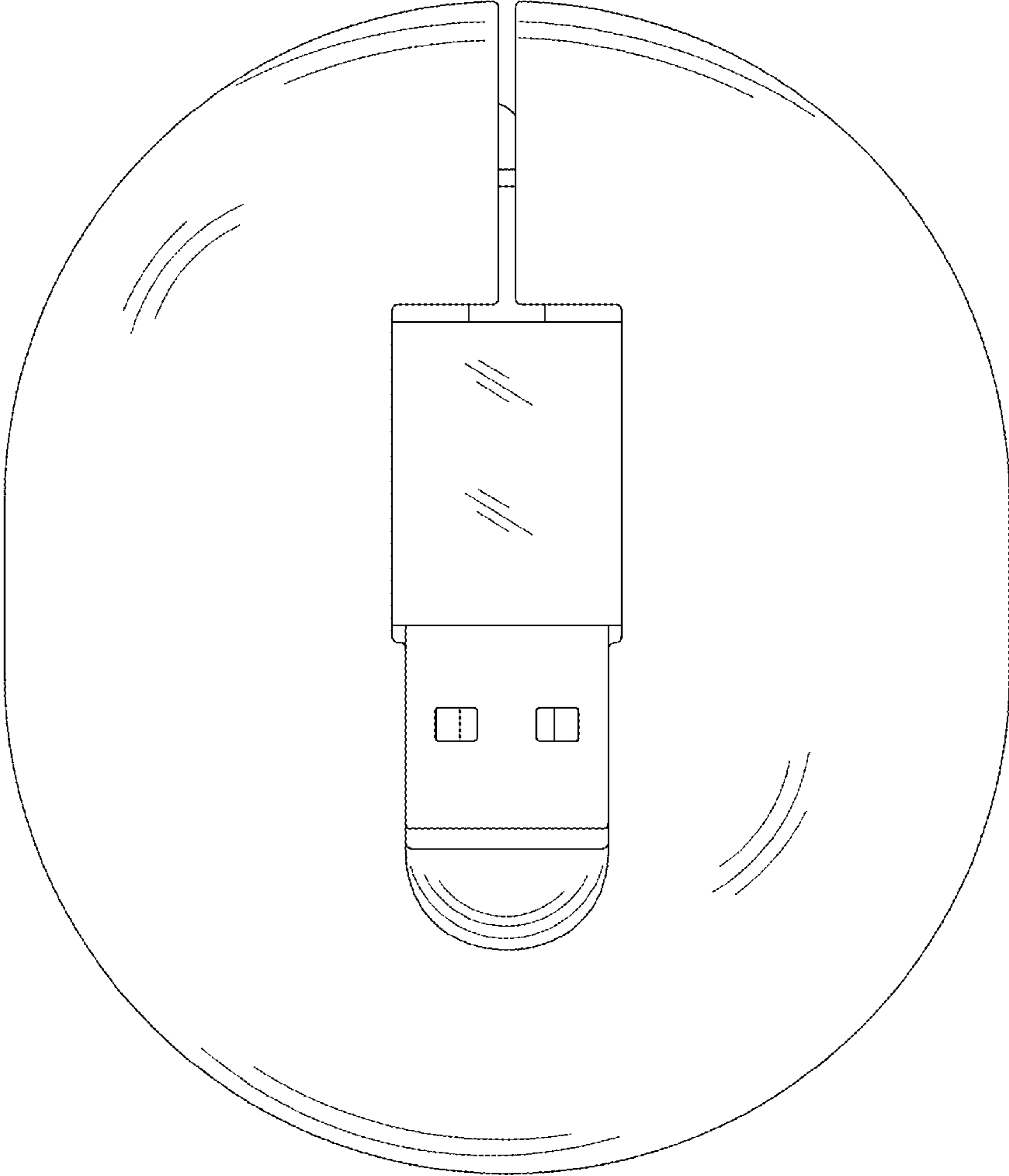


FIG. 16