



US00D939436S

(12) **United States Design Patent**
Chei et al.

(10) **Patent No.:** **US D939,436 S**
(45) **Date of Patent:** **** Dec. 28, 2021**

(54) **AUTO-EMPTYING DOCKING STATION**

FOREIGN PATENT DOCUMENTS

(71) Applicant: **SharkNinja Operating, LLC**,
Needham, MA (US)

GB 6122492 * 3/2021
GB 6122495 * 3/2021

(Continued)

(72) Inventors: **Junghwan Chei**, Chestnut Hill, MA
(US); **Owen R. Johnson**, Needham,
MA (US); **Scott B. Niedzwecki**, East
Walpole, MA (US); **Kyu Lee**, Bedford,
MA (US)

OTHER PUBLICATIONS

Shark IQ Robot Auto Empty—This Changes Everything!, YouTube
online, post date Sep. 27, 2019, URL: <https://www.youtube.com/watch?v=sZhwhdvt74l>, retrieved Jul. 20, 2020.*

(Continued)

(73) Assignee: **SharkNinja Operating LLC**,
Needham, MA (US)

Primary Examiner — Rebekah A Caruso

(**) Term: **15 Years**

(74) *Attorney, Agent, or Firm* — Grossman Tucker
Perreault & Pfleger, PLLC

(21) Appl. No.: **29/695,065**

(57) **CLAIM**

(22) Filed: **Jun. 14, 2019**

The ornamental design for an auto-emptying docking sta-
tion, as shown and described.

(51) **LOC (13) Cl.** **13-02**

(52) **U.S. Cl.**

USPC **D13/108**; D32/31

(58) **Field of Classification Search**

USPC D13/107, 108, 184; D14/356, 358, 432,
D14/434, 447, 149, 168, 217, 224, 224.1,
D14/238.1, 251, 252, 253; D32/21, 31

CPC Y02E 60/12; Y02T 90/14; Y02T 90/122;
Y02T 90/128; Y02T 90/163; H02J 7/025;
H02J 7/0042; H02J 7/0044; H02J 7/0045;
H02J 7/0003; H01F 38/14; H01R
13/6675; H01M 2/1022; H01M 2/1055;
H01M 10/44;

(Continued)

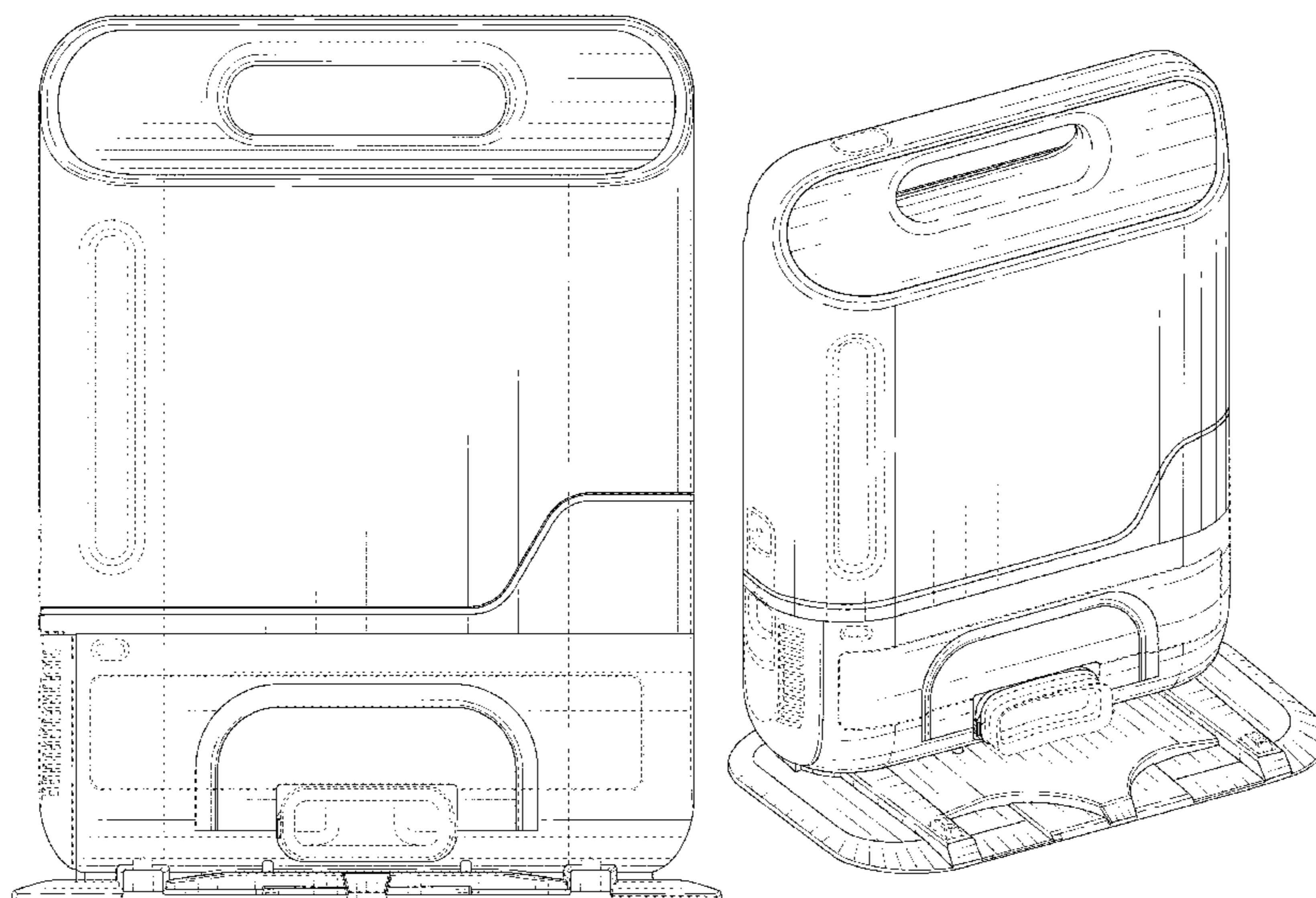
(56) **References Cited**

U.S. PATENT DOCUMENTS

D325,453 S * 4/1992 Tsuge D32/15
D374,955 S * 10/1996 Umbach D32/21
D381,481 S * 7/1997 Medema D32/31

(Continued)

1 Claim, 13 Drawing Sheets



(58) **Field of Classification Search**
CPC ... H01M 10/46; H01M 10/425; B60L 11/182
See application file for complete search history.

(56) **References Cited**

U.S. PATENT DOCUMENTS

D418,643 S * 1/2000 Hoshino D32/21
D537,579 S * 2/2007 Zimmerle D32/21
D537,581 S * 2/2007 Zimmerle D32/21
D552,311 S * 10/2007 Schroeter D32/31
D574,562 S * 8/2008 Tsai D32/21
D639,237 S * 6/2011 Lee D13/108
D639,735 S * 6/2011 Lee D13/108
D645,403 S * 9/2011 Seo D13/108
D670,458 S * 11/2012 Seo D32/18
D675,796 S * 2/2013 Benacquisto D32/21
D683,506 S * 5/2013 Kim D32/31
D691,553 S * 10/2013 Deoksang D13/108
D698,310 S * 1/2014 Yun D13/108
D782,412 S * 3/2017 Kim D13/108
2007/0267998 A1* 11/2007 Cohen A47L 9/2873
320/109

2011/0089891 A1* 4/2011 Pai H02J 7/0044
320/107
2011/0236026 A1* 9/2011 Yoo G05D 1/0234
398/131
2012/0086389 A1* 4/2012 Li G05D 1/0225
320/107
2012/0242279 A1* 9/2012 Tso B60L 53/16
320/107

FOREIGN PATENT DOCUMENTS

GB 6122496 * 3/2021
JP D1658592 * 4/2020
KR 301092135.0000 * 1/2021

OTHER PUBLICATIONS

Roomba i7+ Vs S9+ vs Shark IQ Robot Auto Empty—Robot Vacuum TESTS & Comparison, YouTube online, post date Oct. 1, 2019, URL: https://www.youtube.com/watch?v=Et_ROh1XICY, retrieved Jul. 20, 2020.*

* cited by examiner

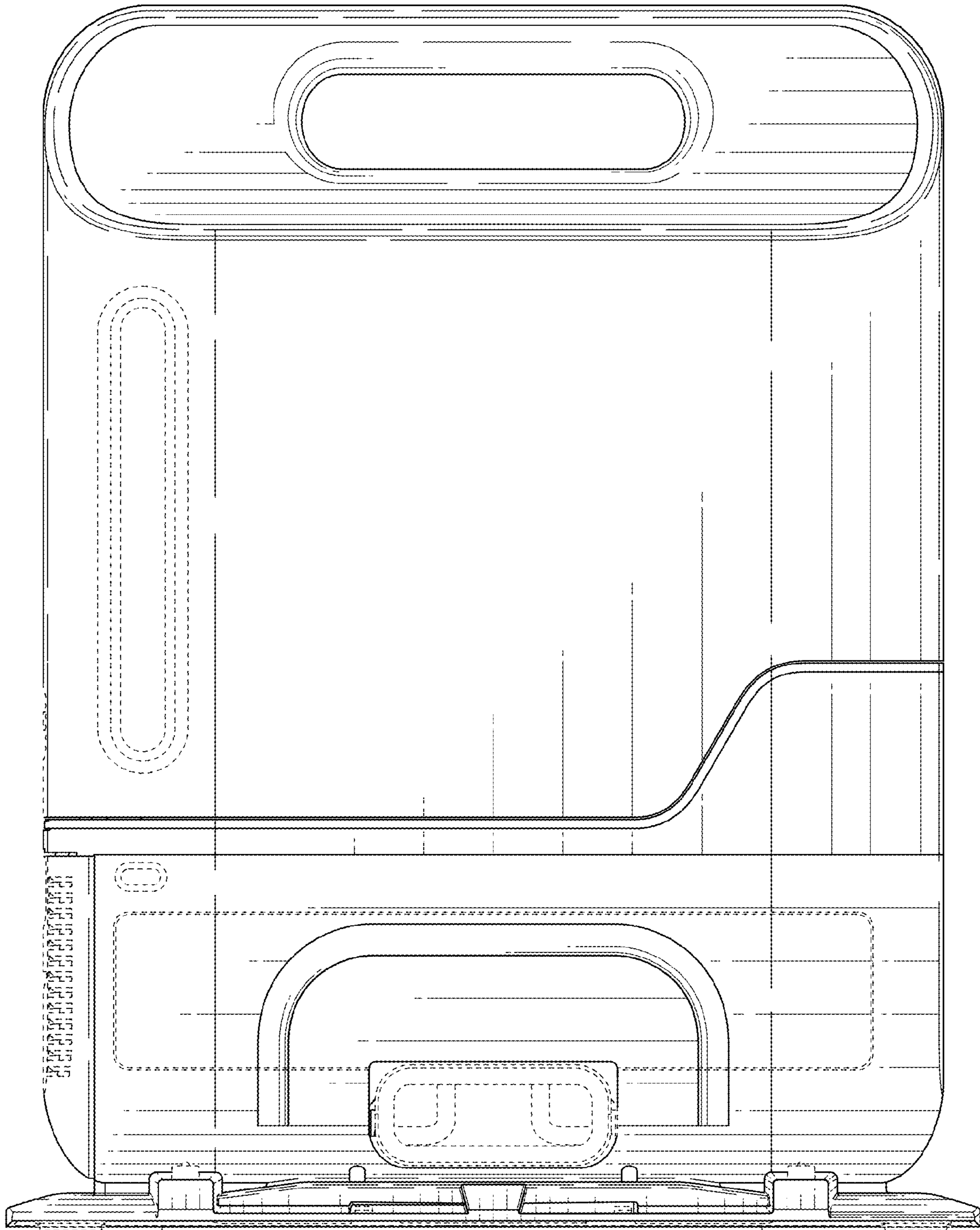


FIG. 1

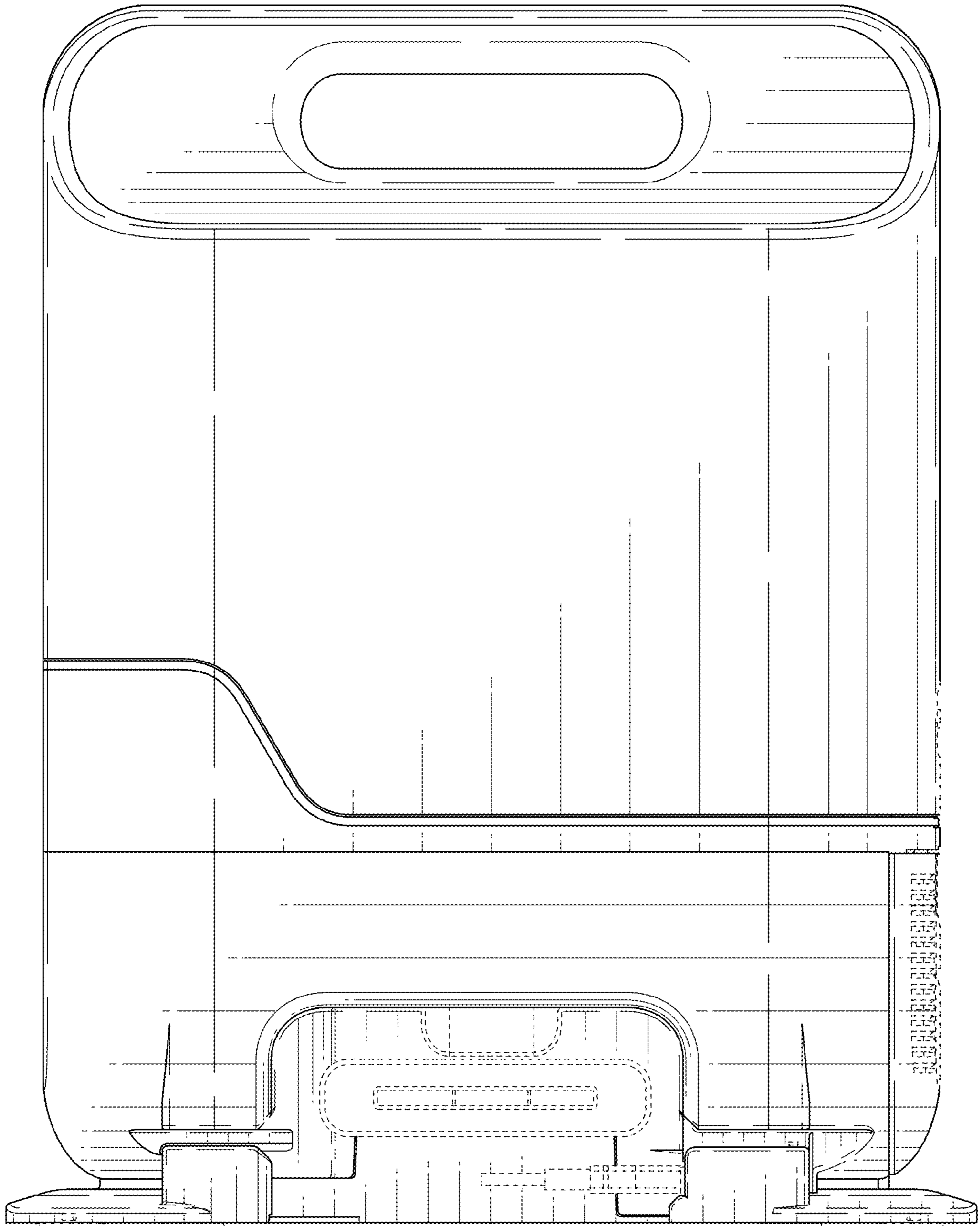


FIG. 2

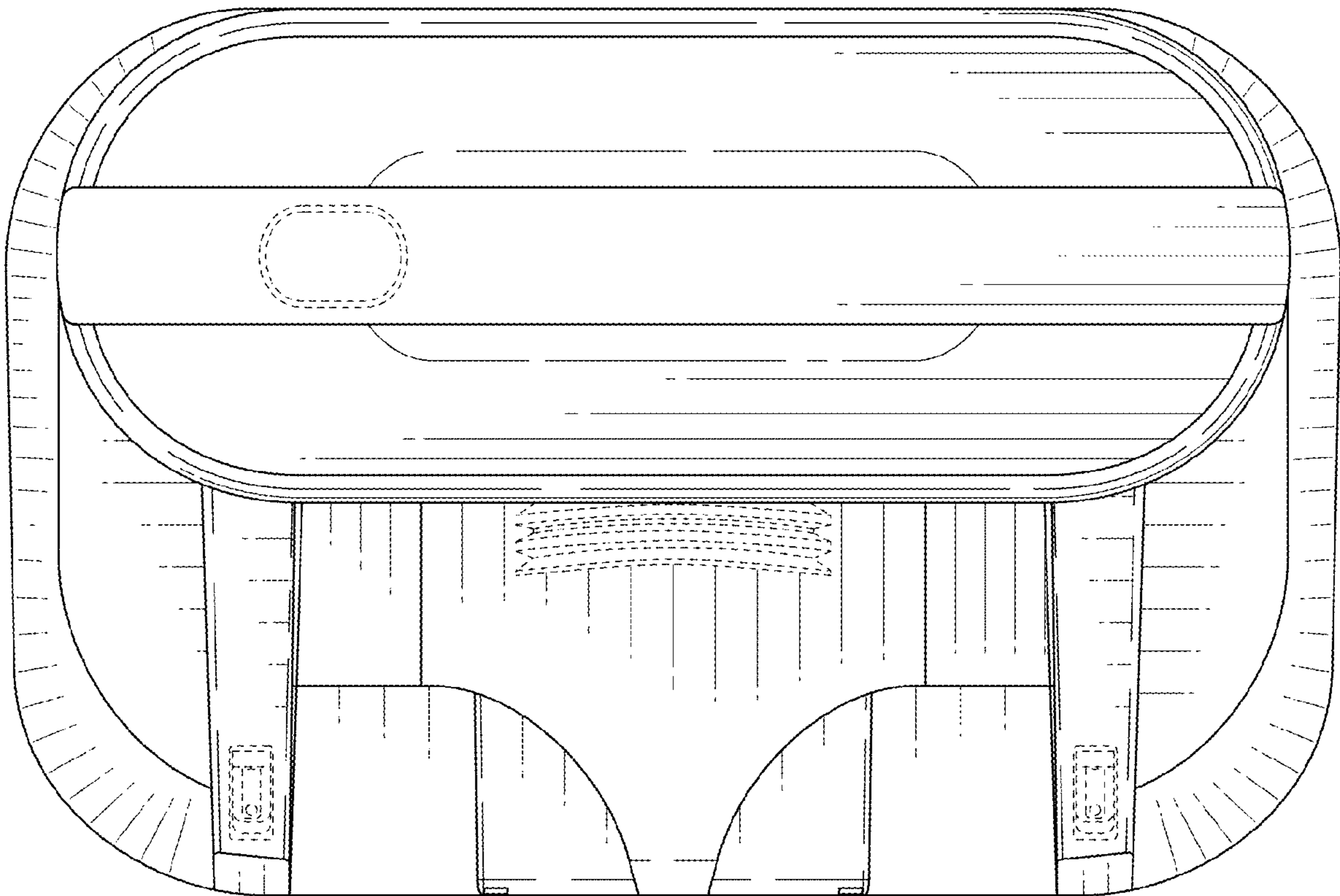


FIG. 3

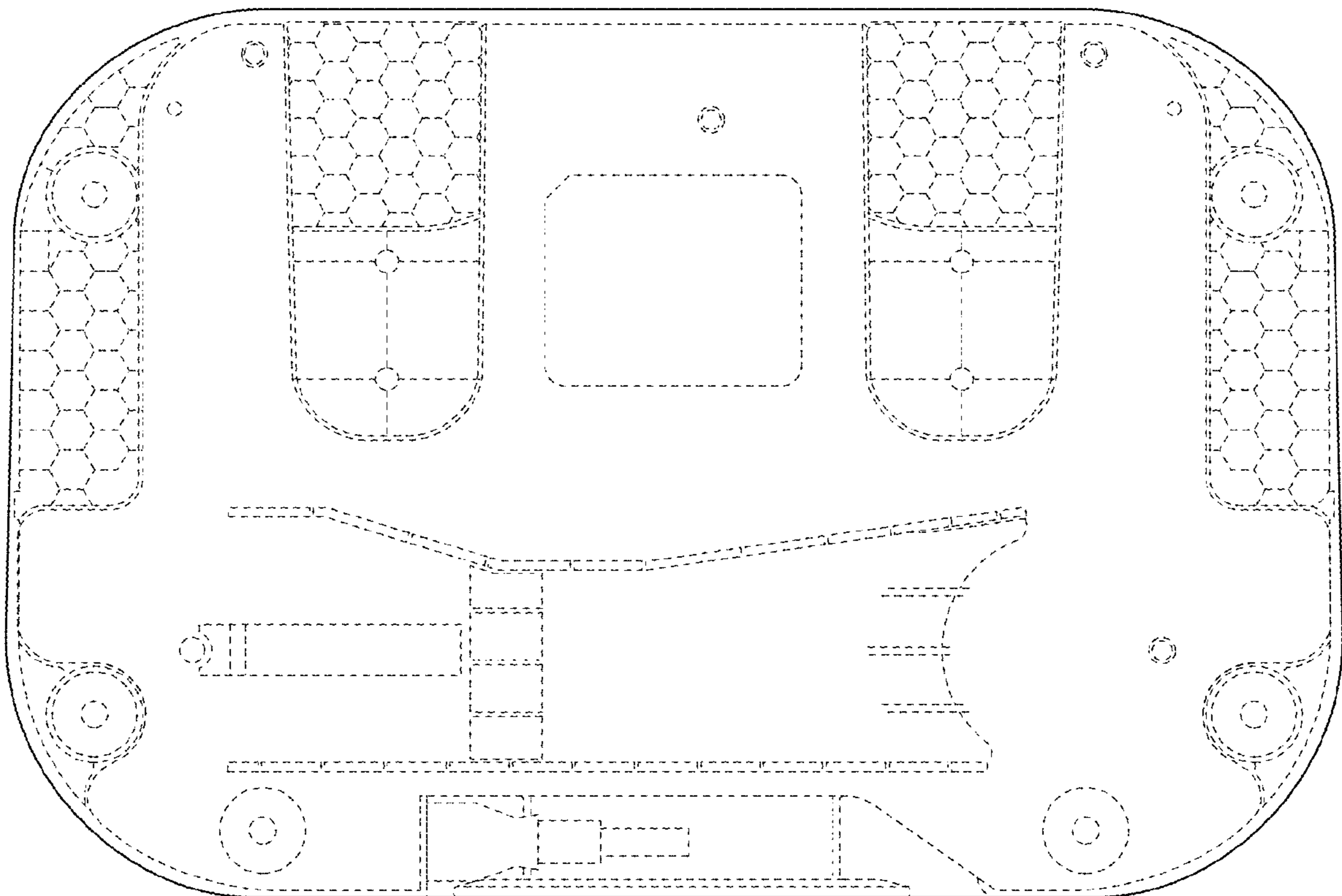


FIG. 4

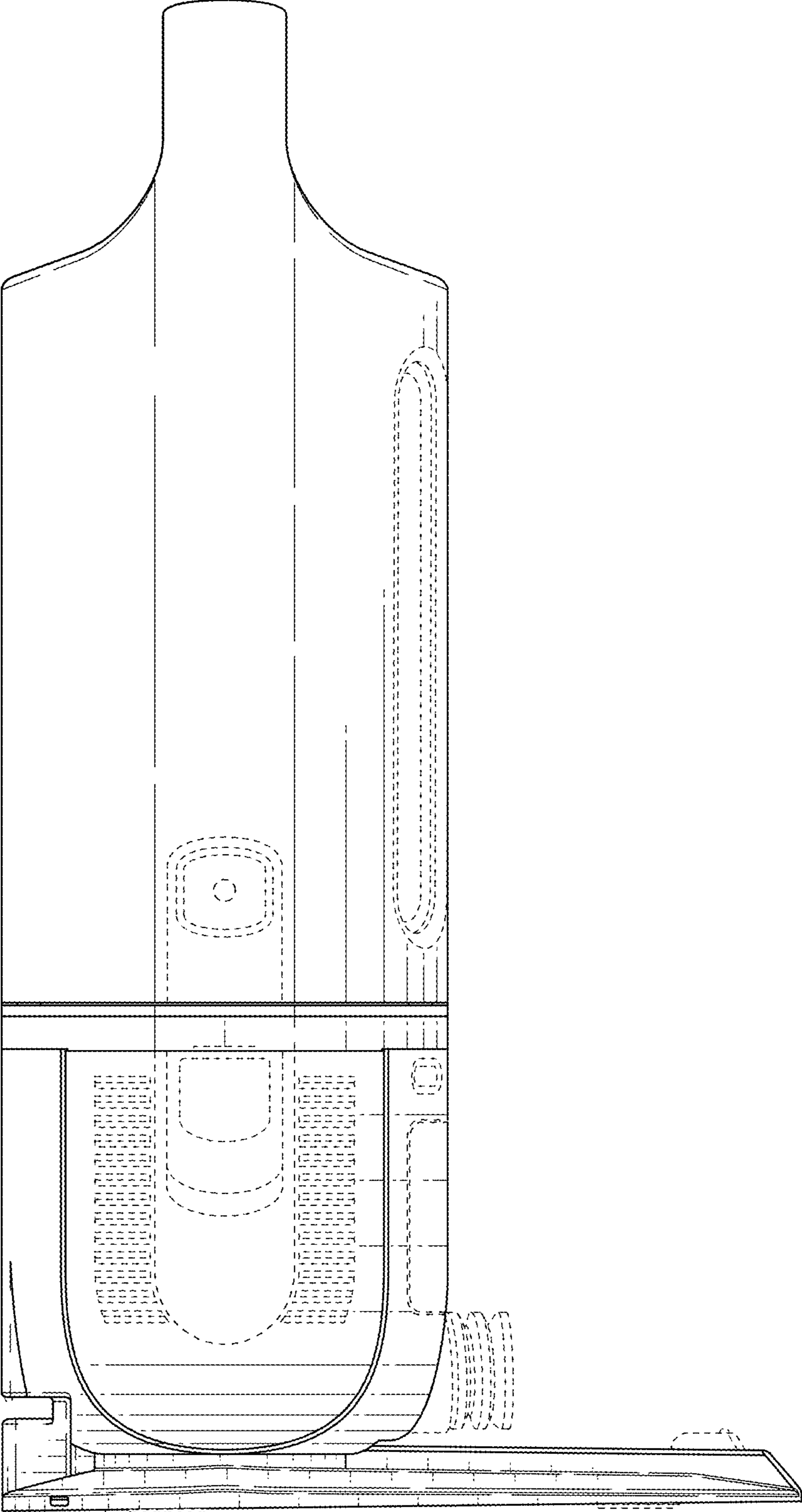


FIG. 5

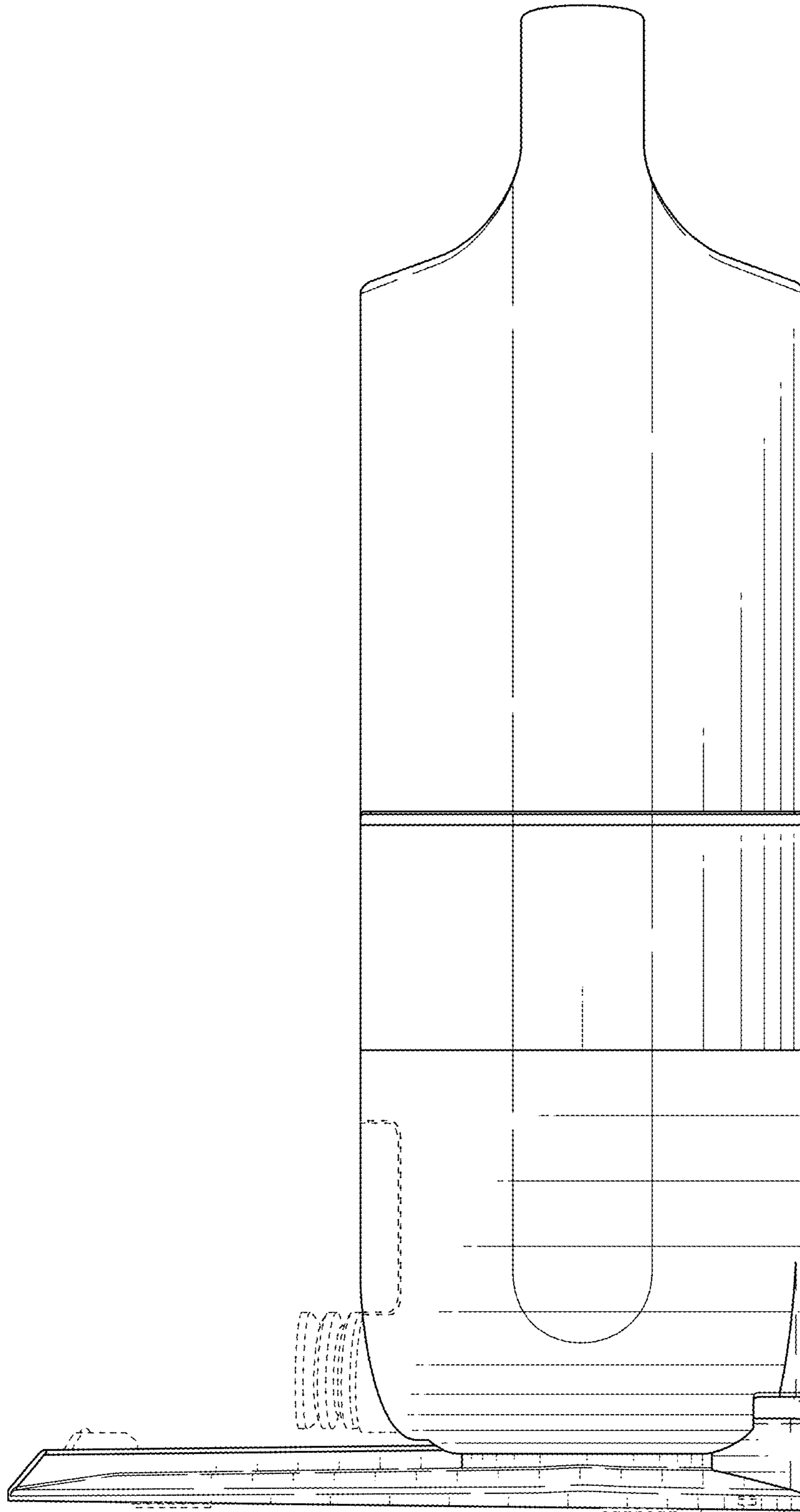


FIG. 6

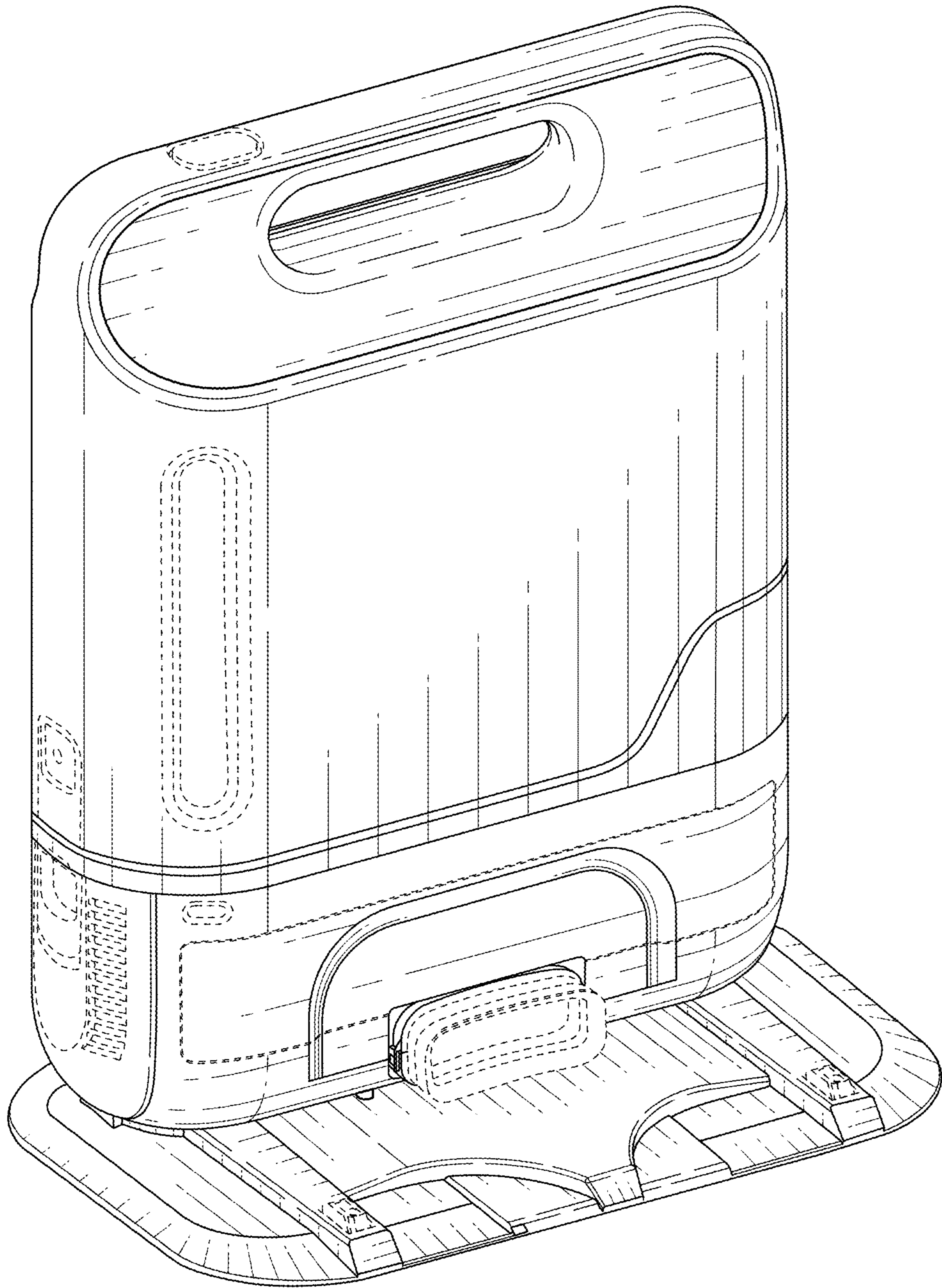


FIG. 7



FIG. 8

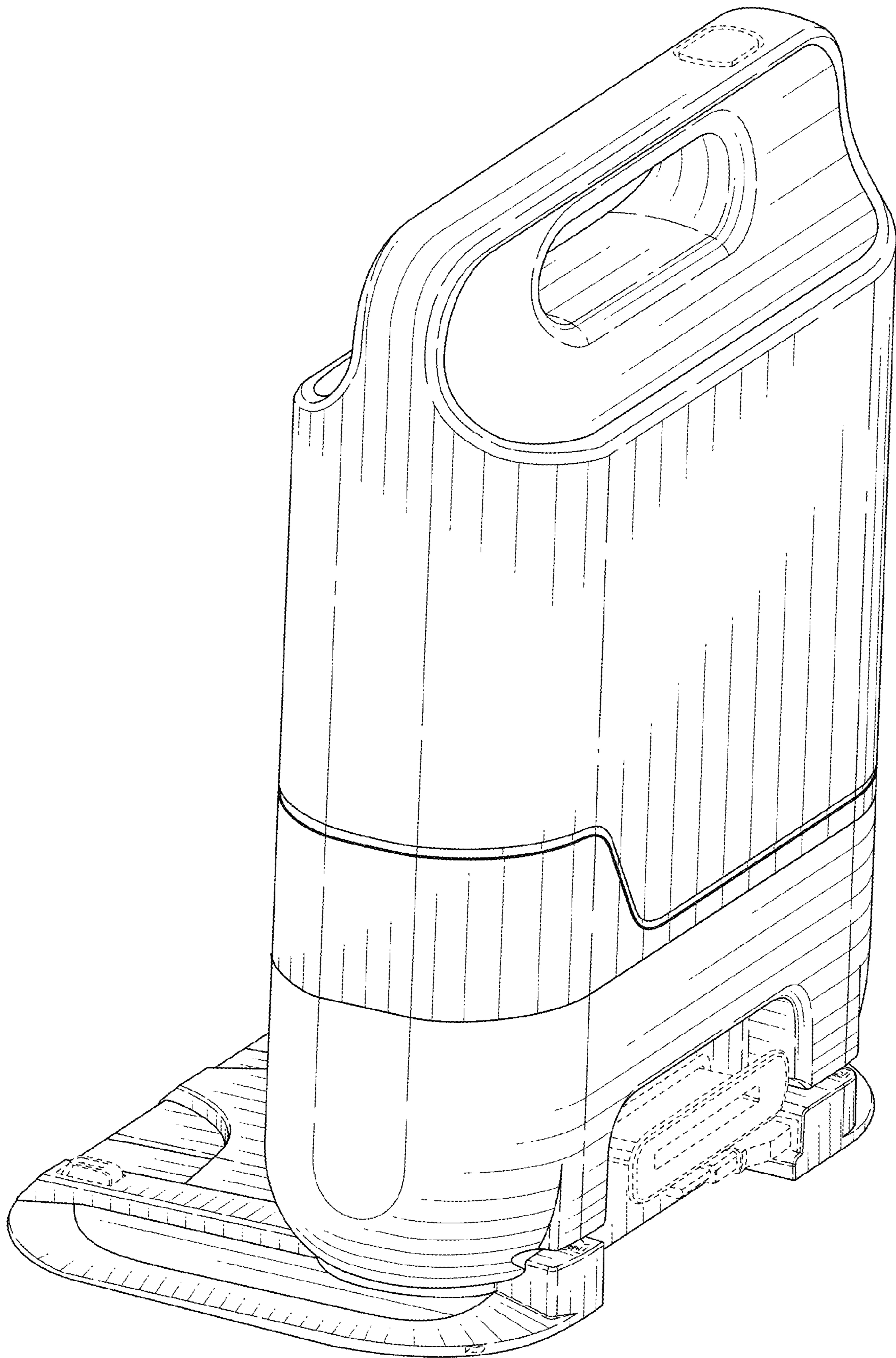


FIG. 9

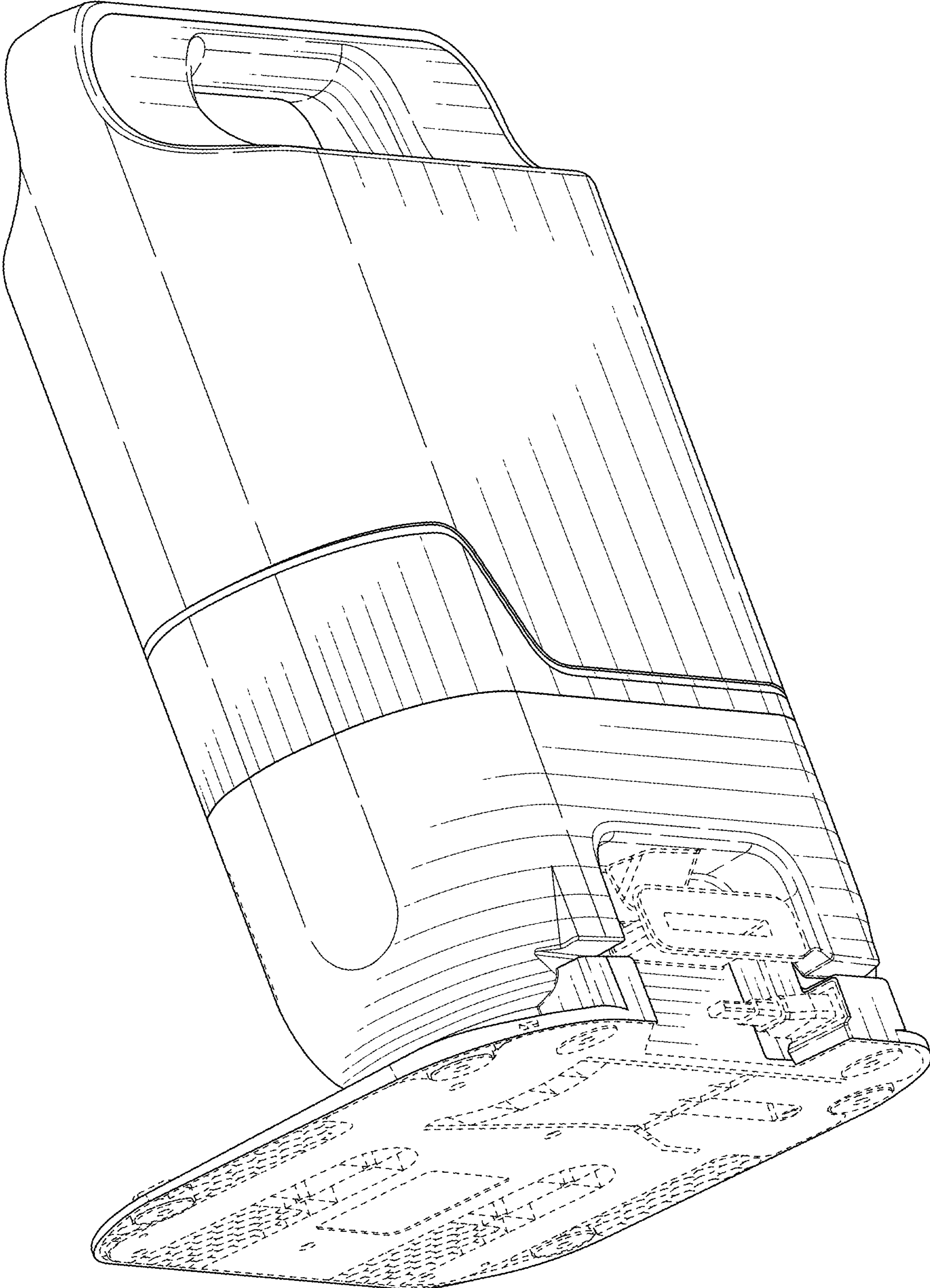


FIG. 10

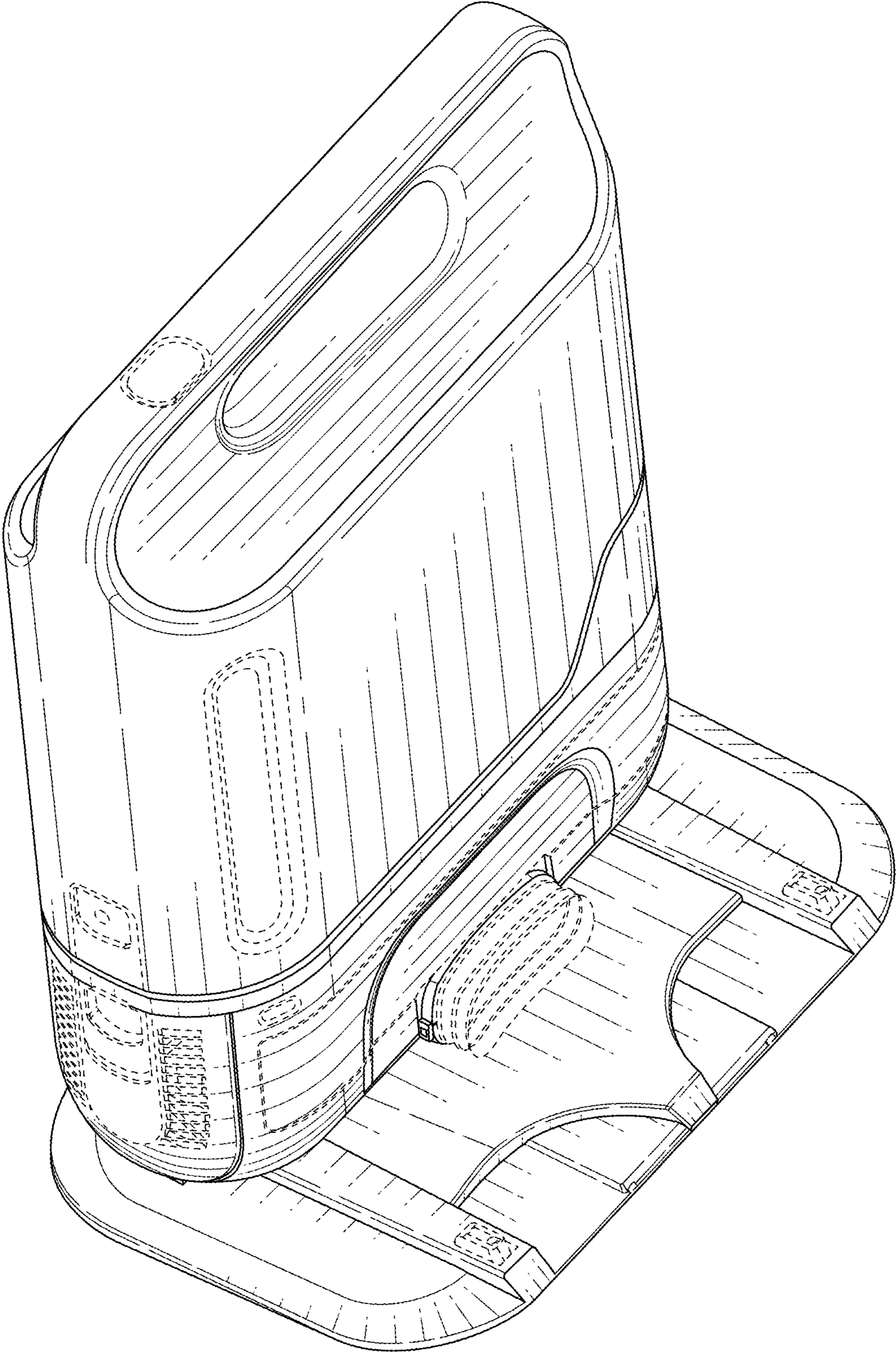


FIG. 11

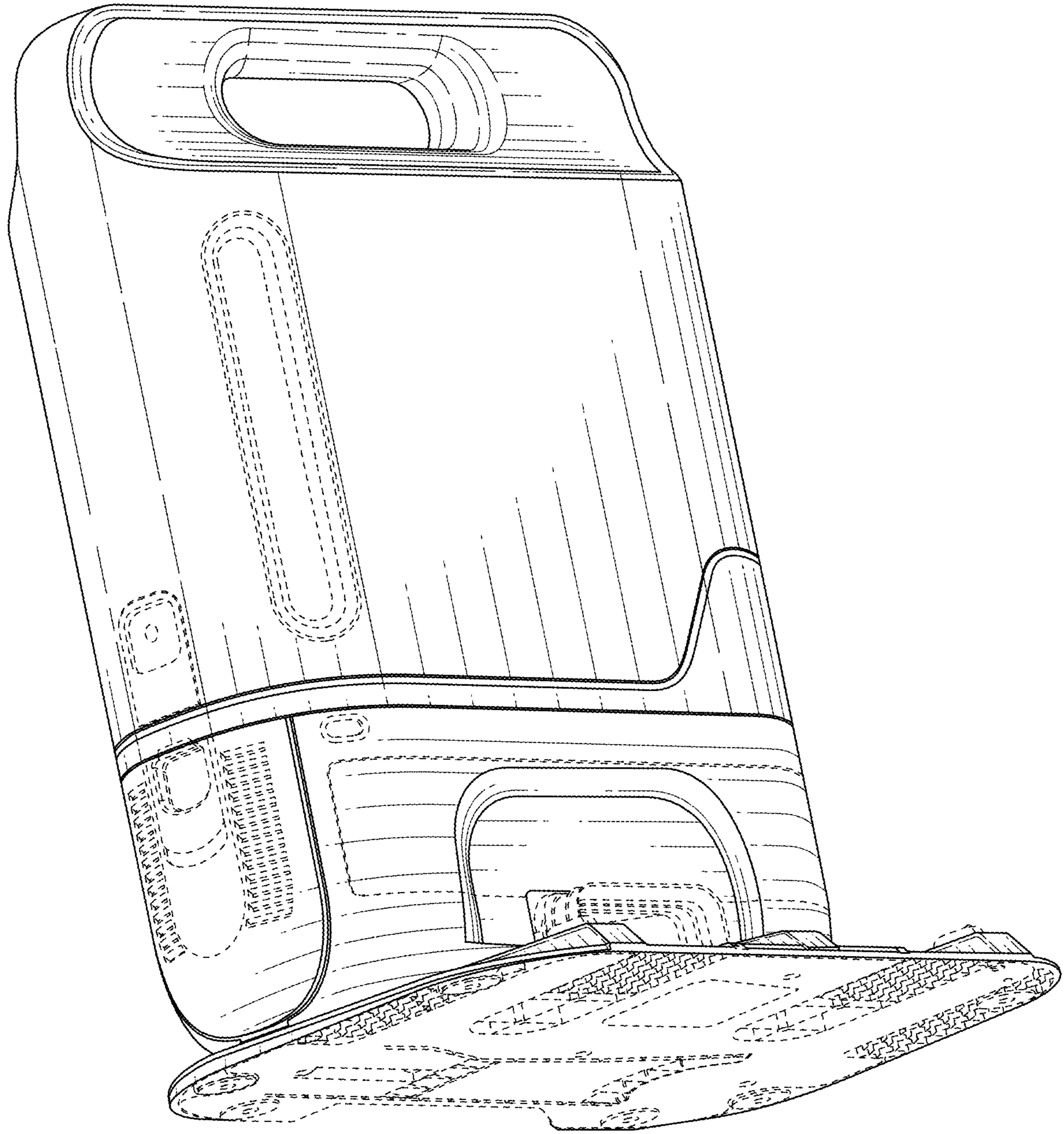


FIG. 12

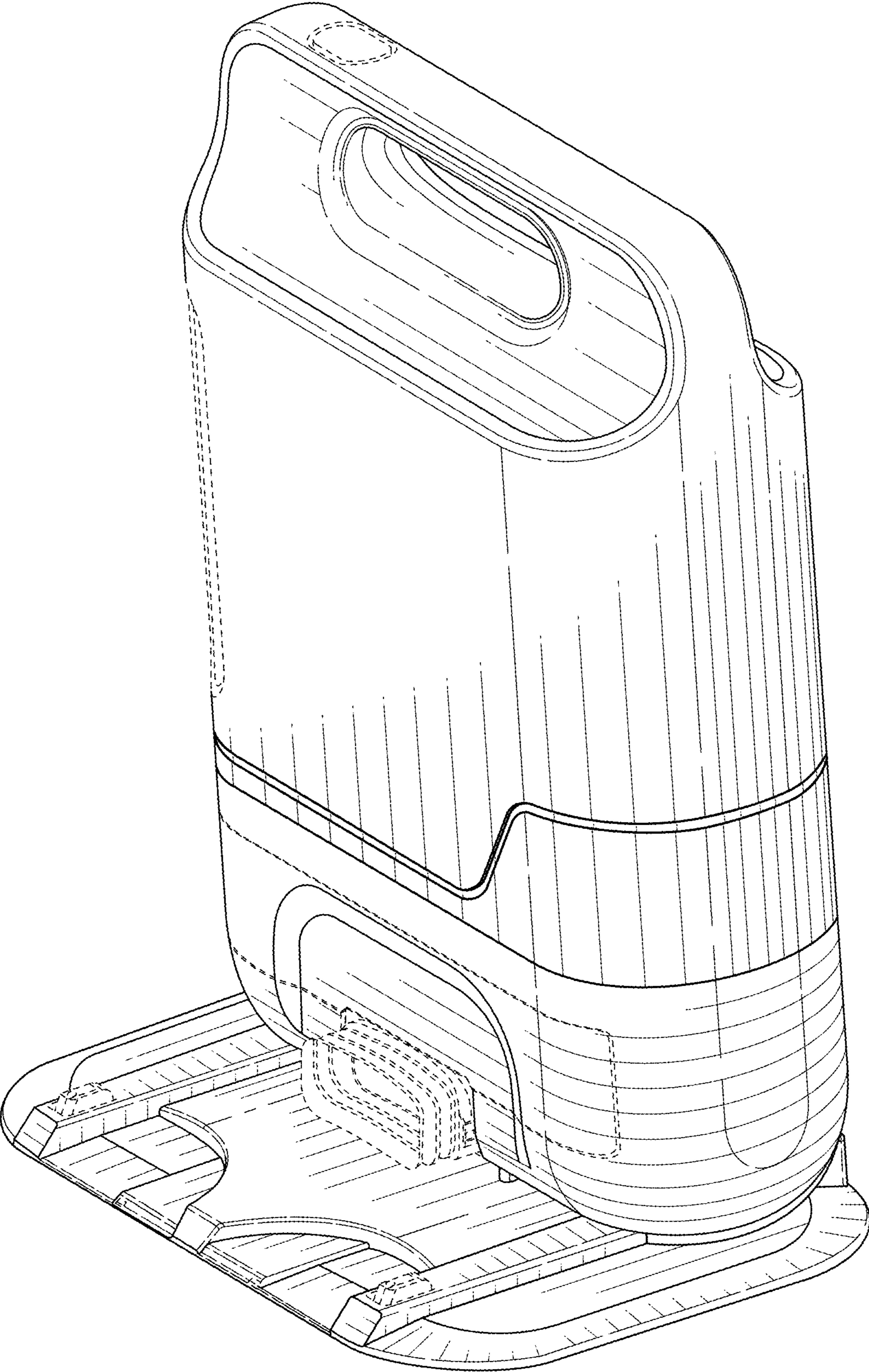


FIG. 13

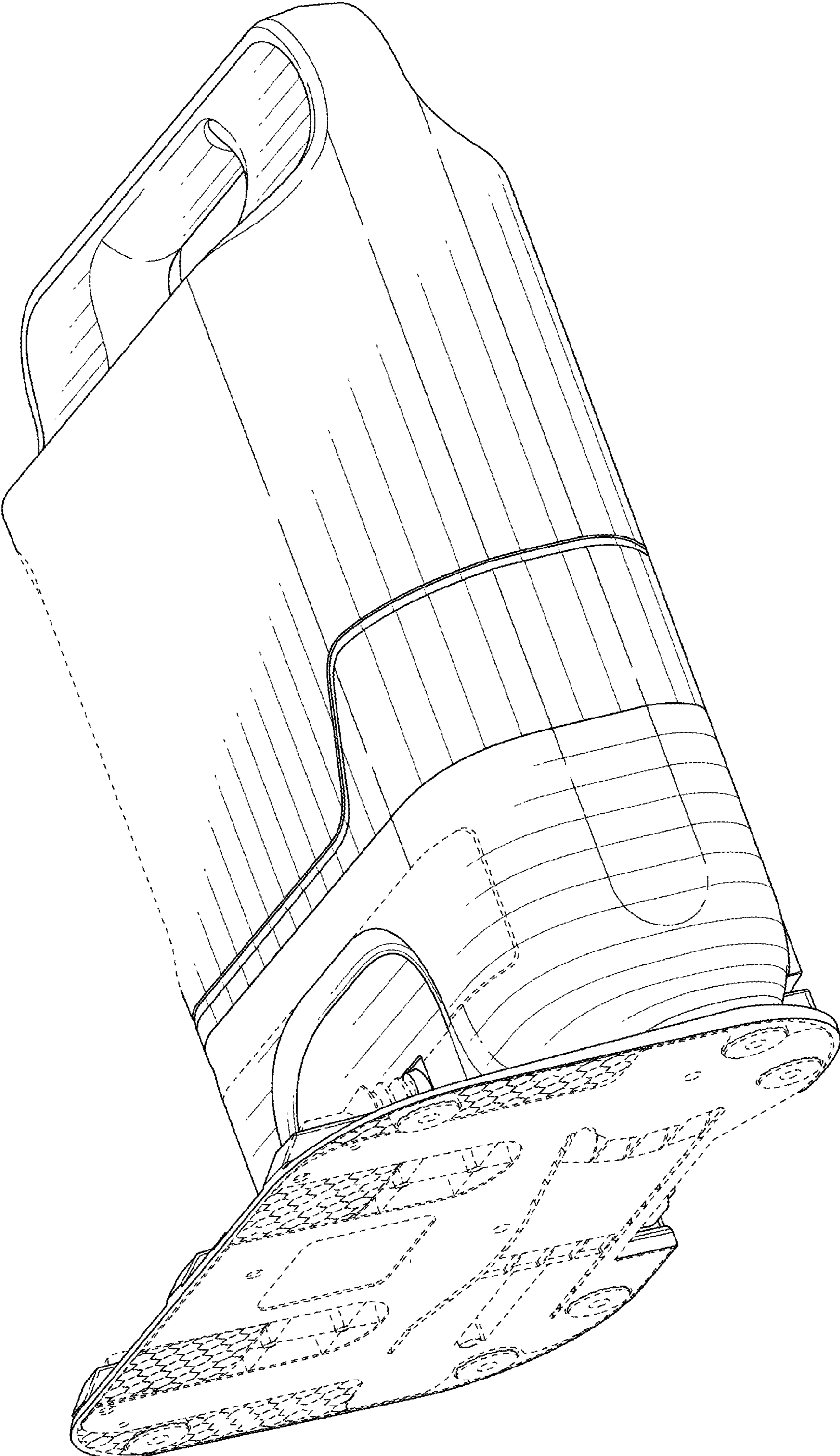


FIG. 14