



US00D939435S

(12) **United States Design Patent** (10) **Patent No.:** **US D939,435 S**
Feng (45) **Date of Patent:** **** Dec. 28, 2021**

(54) **BATTERY CHARGER**

(71) Applicant: **Deqian Feng**, Hunan (CN)

(72) Inventor: **Deqian Feng**, Hunan (CN)

(73) Assignee: **Dongguan Ruiqi Electronic Technology Co., Ltd**, Dongguan (CN)

(**) Term: **15 Years**

(21) Appl. No.: **29/720,997**

(22) Filed: **Jan. 17, 2020**

(51) **LOC (13) Cl.** **13-02**

(52) **U.S. Cl.**
USPC **D13/107**

(58) **Field of Classification Search**
USPC D13/110, 137.2, 133, 139.8, 153, 103,
D13/199, 107, 139.4, 139.5, 118, 108,
D13/102, 119, 137.1, 137.3, 137.4, 138.1,
D13/138.2, 139.1, 139.2, 139.3, 139.6,
D13/139.7, 152, 162, 164, 184; D14/432,
D14/433, 434, 372
CPC H02J 7/0027; H02J 7/02; H01R 13/20;
H01R 13/26; H01R 25/00; H01R 25/003;
H01R 13/6675

See application file for complete search history.

(56) **References Cited**

U.S. PATENT DOCUMENTS

D338,188 S *	8/1993	Lee	D13/110
D356,066 S *	3/1995	Rao	D13/138.1
D367,257 S *	2/1996	Buelow	D13/110
D381,622 S *	7/1997	Gorton	D13/110
D383,115 S *	9/1997	Nagele	D13/110
D449,030 S *	10/2001	Baxter	D13/110
D473,515 S *	4/2003	Salazar	D13/107
D483,721 S *	12/2003	Kim	D13/110
D547,266 S *	7/2007	Wong	D13/110
D593,031 S *	5/2009	Miyatake	D13/110
D731,966 S *	6/2015	Rabalais	D13/107
D821,971 S *	7/2018	Yang	D13/107

D823,801 S *	7/2018	Ouyang	D13/110
2003/0080630 A1 *	5/2003	Liu	H02J 7/00047 307/150
2015/0372512 A1 *	12/2015	Umemura	G01K 13/00 320/112

(Continued)

FOREIGN PATENT DOCUMENTS

CN	301438073	*	1/2011
CN	302321635	*	2/2013

(Continued)

OTHER PUBLICATIONS

“24V Power Cord for Hyperice Hypervolt Massage Gun HPI5300000100 53000 001-00 Charger for Hyperice 42000 038-00 Battery Charger AC/DC Adapter SK03T1-2400100Z Supply”, first available Nov. 29, 2020. Amazon.com [https://www.amazon.com/Hyperice-Hypervolt-Massage-HPI5300000100-SK03T1-2400100Z/dp/B08P96KPTH/ref=sr_1_50?dchild=1&keywords=AC+%E2%80%A6] (Year: 2020).*

(Continued)

Primary Examiner — Rosemary K Tarcza
Assistant Examiner — Seth David Kumpf

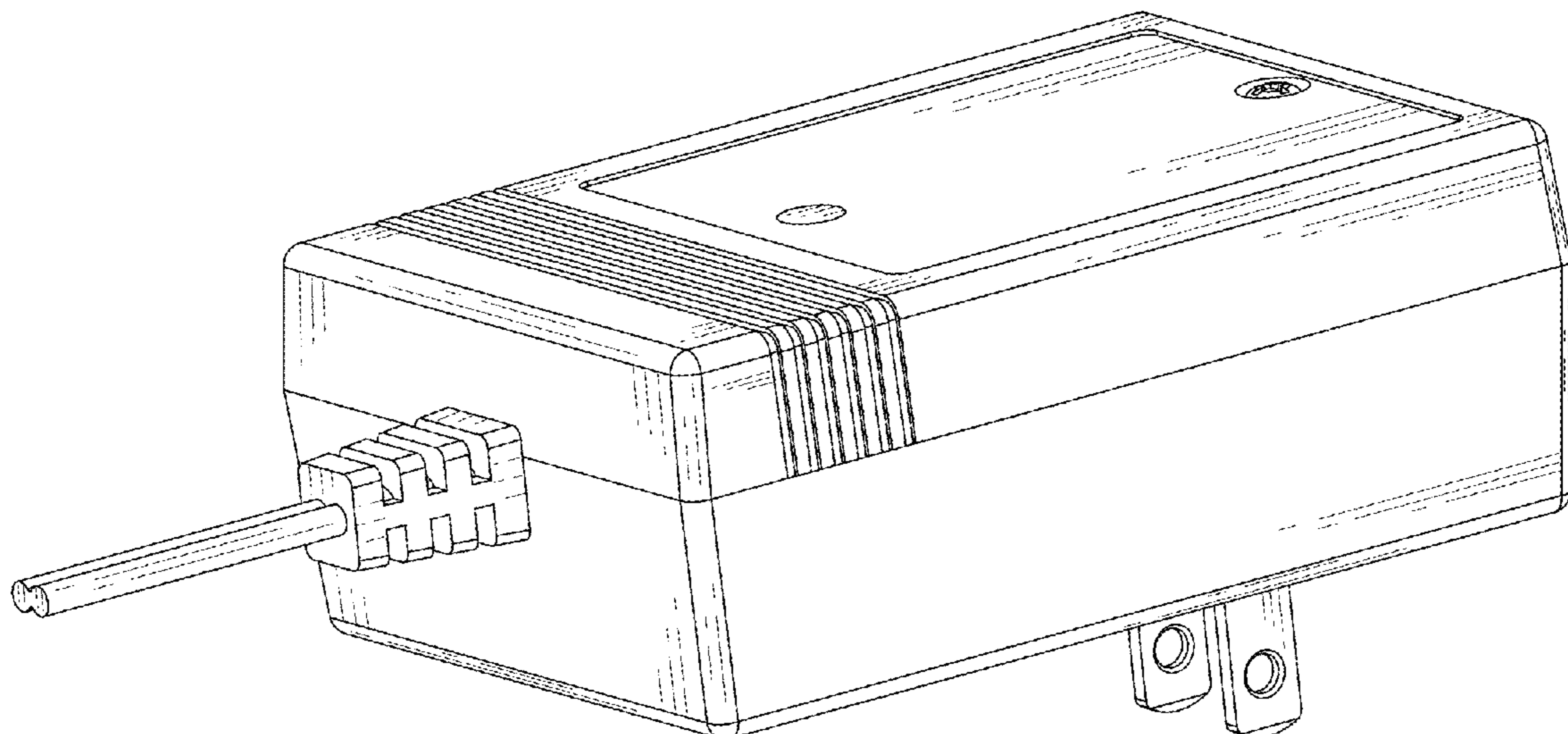
(57) **CLAIM**

The ornamental design for a battery charger, as shown and described.

DESCRIPTION

FIG. 1 is a perspective view of a battery charger showing my new design;
FIG. 2 is a front elevational view thereof;
FIG. 3 is a rear elevational view thereof;
FIG. 4 is a left side elevational view thereof;
FIG. 5 is a right side elevational view thereof;
FIG. 6 is a top plan view thereof; and,
FIG. 7 is a bottom plan view thereof.

1 Claim, 7 Drawing Sheets



(56)

References Cited

U.S. PATENT DOCUMENTS

2017/0135166 A1* 5/2017 Huang H05B 45/00

FOREIGN PATENT DOCUMENTS

CN	304013724	*	1/2017
CN	304340479	*	11/2017
CN	304599330	*	4/2018
CN	304783405	*	8/2018

OTHER PUBLICATIONS

“AC Adapter Charger for Seagate Freeagent & WD Western Digital External Hrad Drive HDD 6.5 Ft Power Cord”, first available Jul. 14, 2016. Amazon.com [[https://www.amazon.com/Adapter-Charger-Seagate-Freeagent-External/dp/B01_IERV9T6/ref=sr_1_6?dchild=1 &keywords=AC+Charger&qid=1631559%E2%80%A6](https://www.amazon.com/Adapter-Charger-Seagate-Freeagent-External/dp/B01_IERV9T6/ref=sr_1_6?dchild=1&keywords=AC+Charger&qid=1631559%E2%80%A6)] (Year: 2016).*

“CamRanger AC Adapter Wall Plug for MP-360 Tripod Head”, first accessed Sep. 13, 2021. BHPHOTOVIDEO.COM [https://www.bhphotovideo.com/c/product/1132997-REG/camranger_1011_ac_adapter_wall_plug.html] (Year: 2021).*

“RAE Systems AC Adapter / Battery Charger 500-0036-100”, first accessed Sep. 13, 2021. PKSAFETY.COM [<https://pksafety.com/rae-systems-ac-adapter-battery-charger-500-0036-100/>] (Year: 2021).*

* cited by examiner

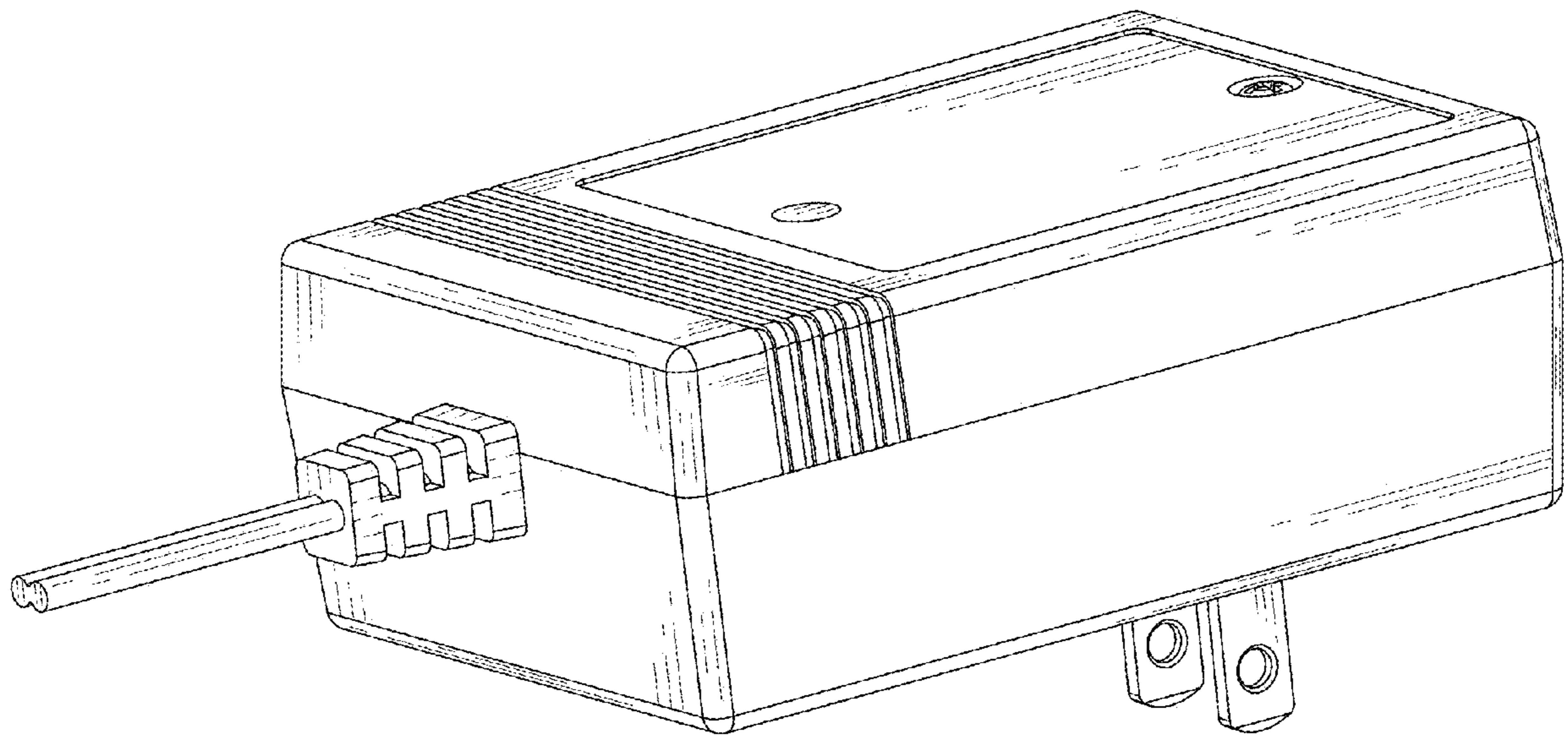


FIG.1

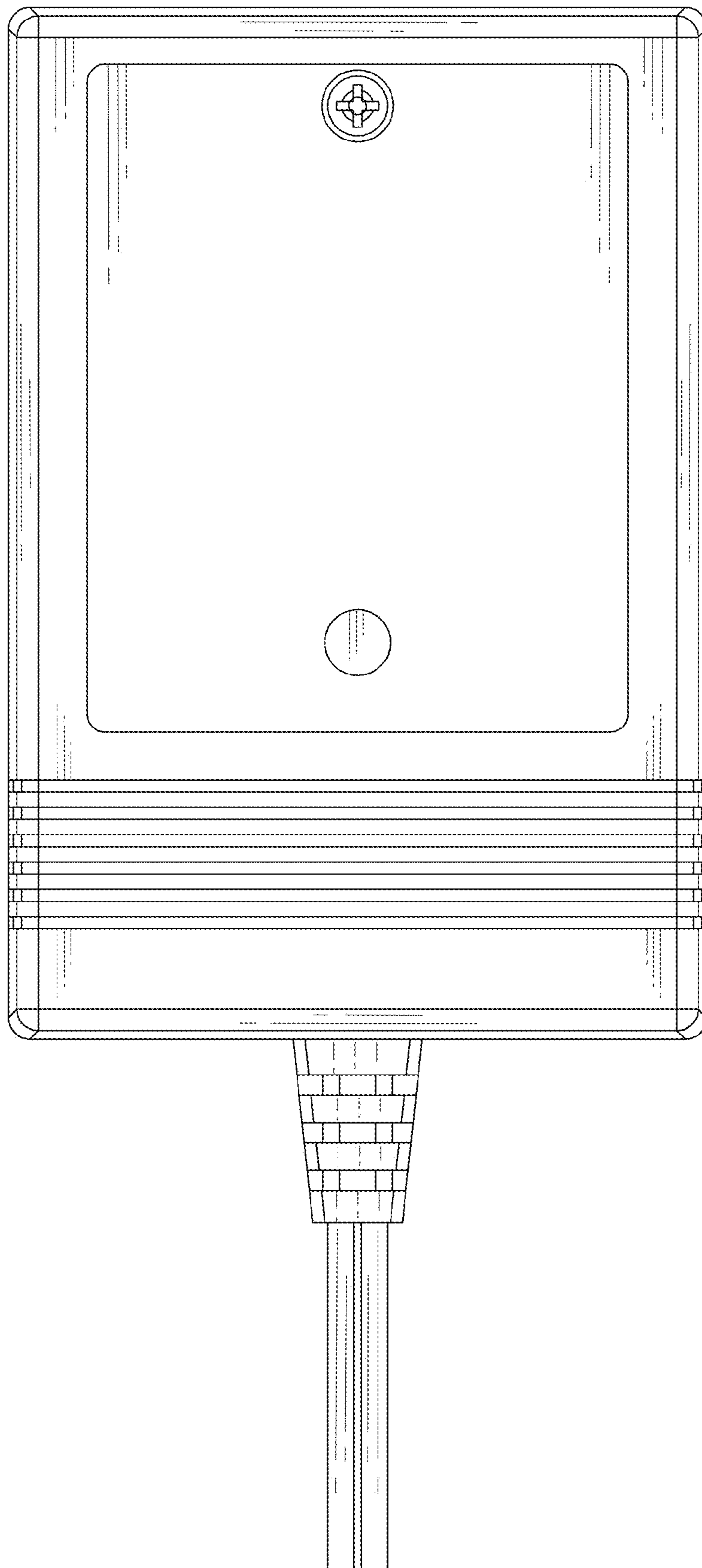


FIG. 2

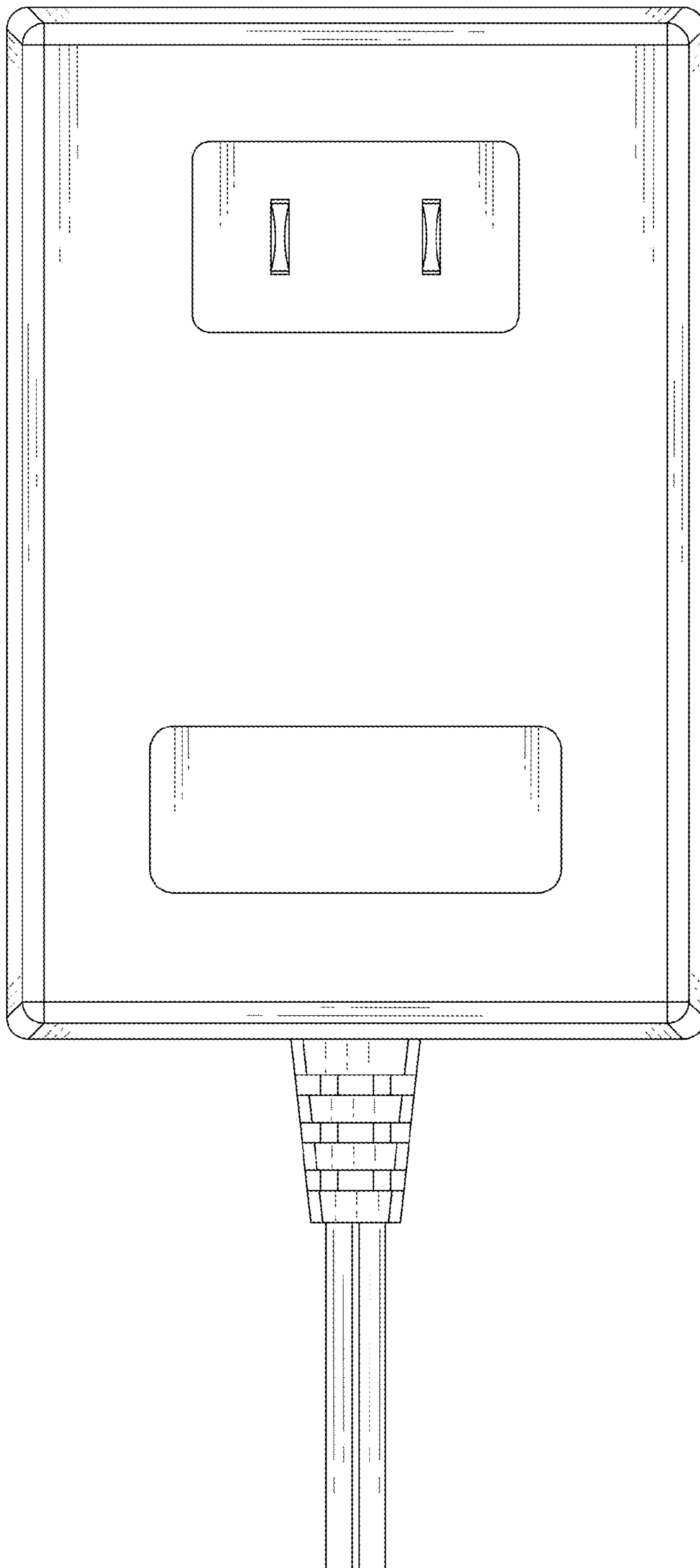


FIG. 3

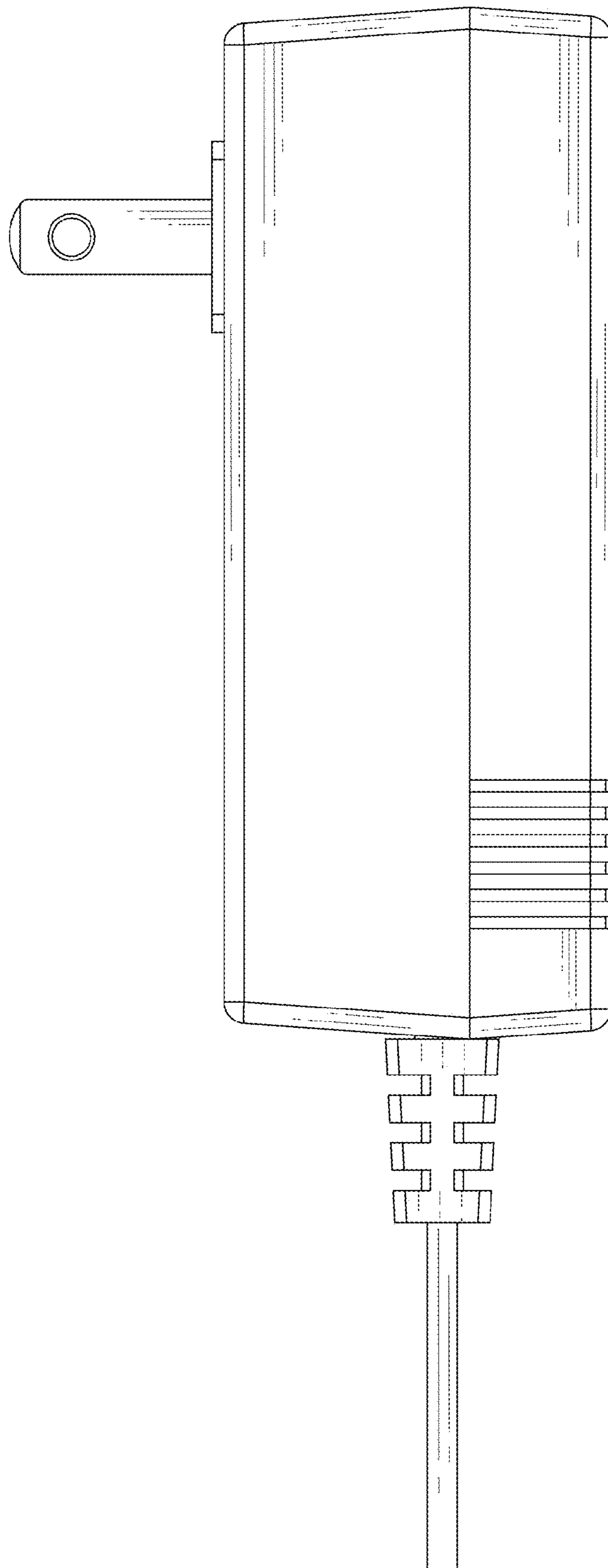


FIG.4

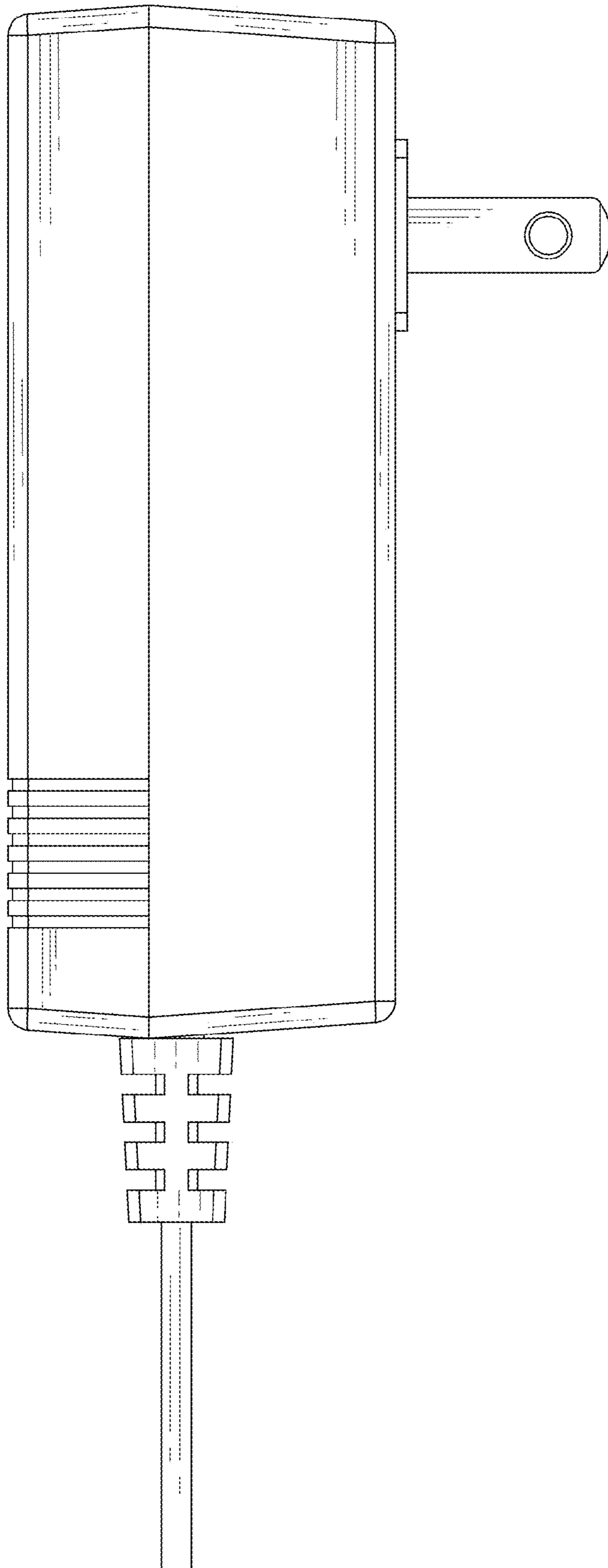


FIG.5

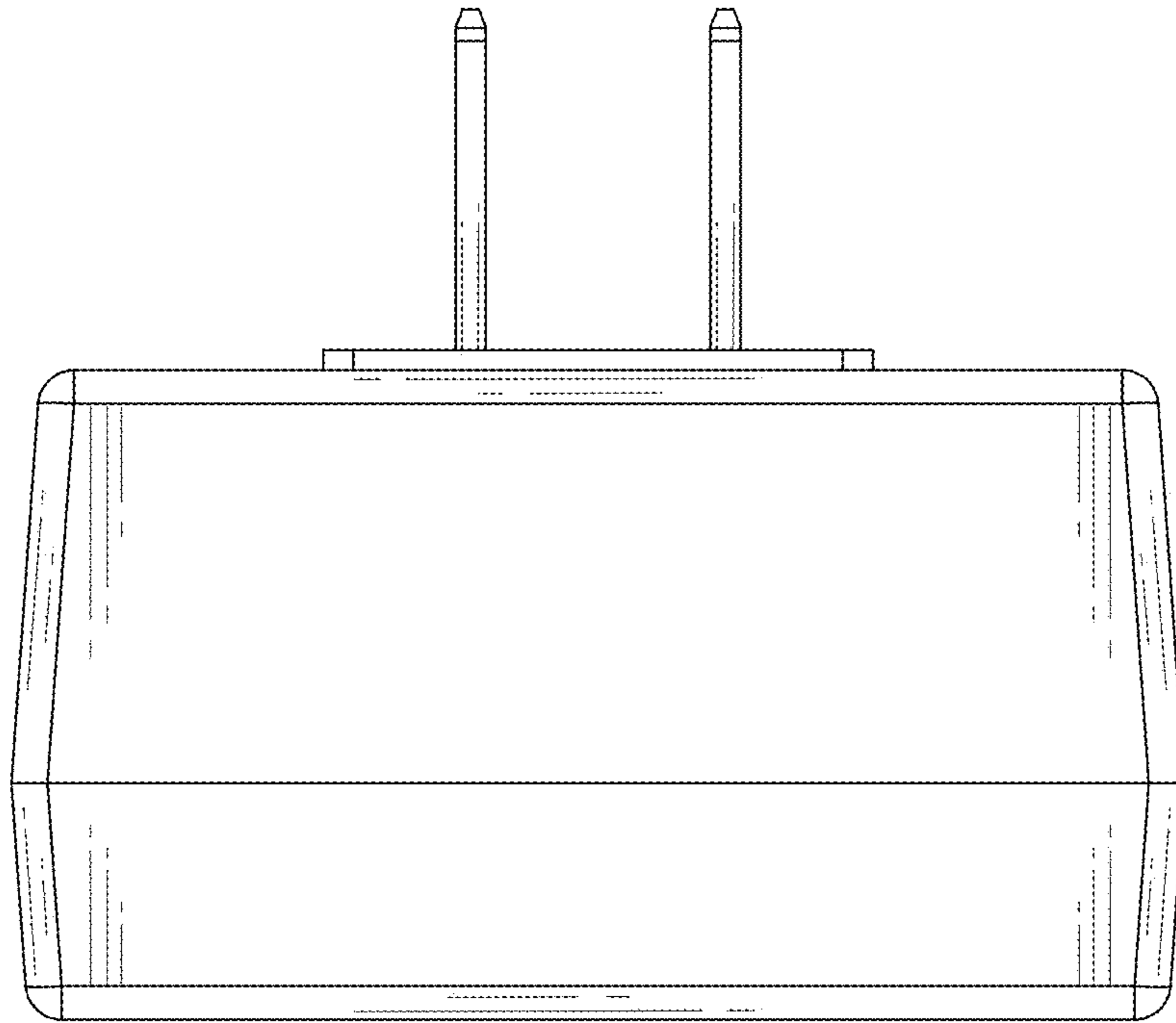


FIG.6

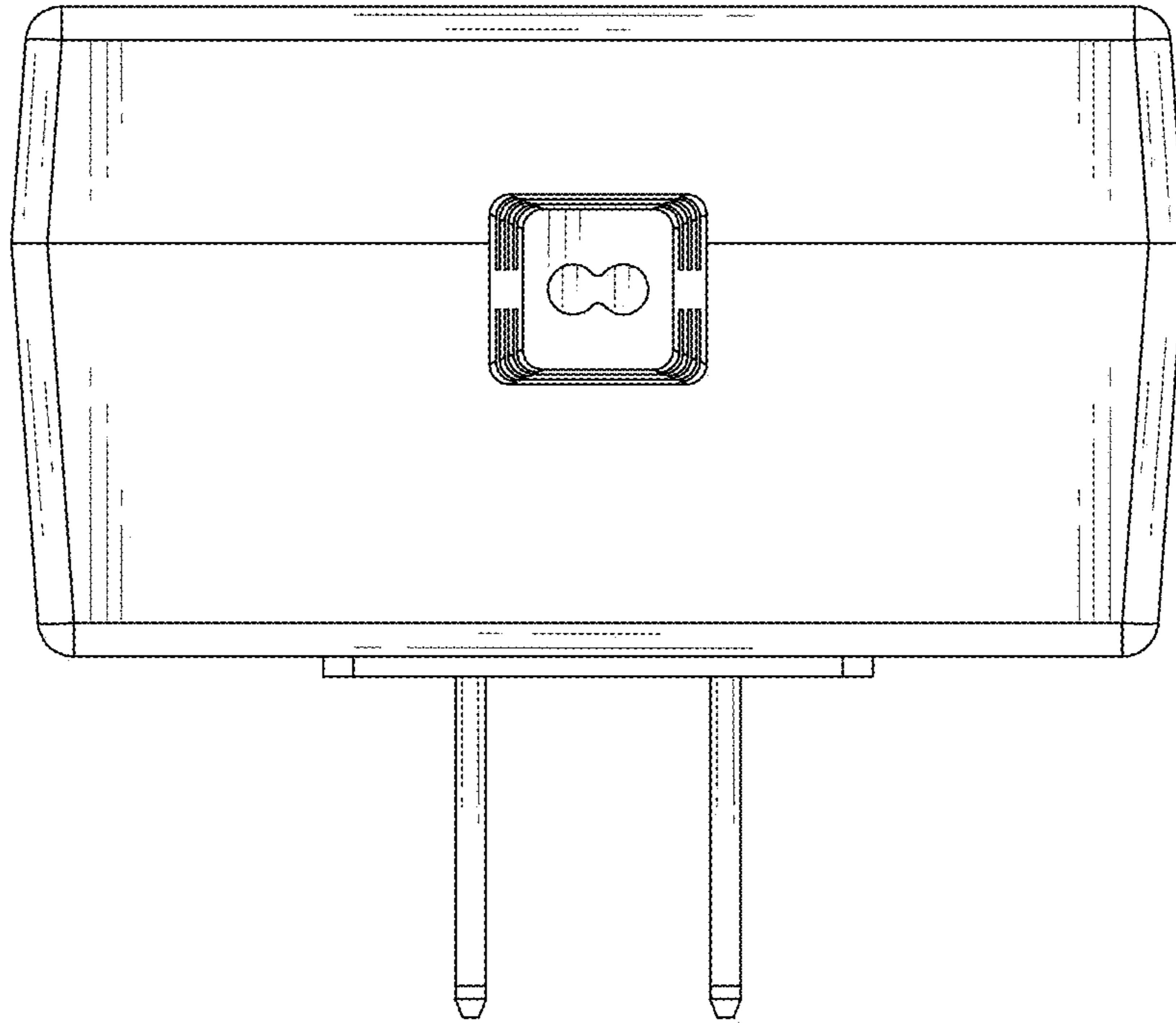


FIG.7