



US00D939434S

(12) **United States Design Patent** (10) **Patent No.:** **US D939,434 S**
Tang (45) **Date of Patent:** **** Dec. 28, 2021**

(54) **BATTERY FOR PORTABLE REFRIGERATOR**

(71) Applicant: **ACOSOLAR INC.**, Walnut, CA (US)

(72) Inventor: **Longhua Tang**, Walnut, CA (US)

(**) Term: **15 Years**

(21) Appl. No.: **29/772,396**

(22) Filed: **Mar. 1, 2021**

(51) **LOC (13) Cl.** **13-02**

(52) **U.S. Cl.**
USPC **D13/103**

(58) **Field of Classification Search**
USPC D13/102–106, 110, 118–119, 184
CPC . Y02E 60/10; H01M 2220/30; H01M 50/209;
H01M 50/213; H01M 50/183; H01M
50/10; H01M 50/529; H01M 50/531;
H01M 10/0525; H01M 10/0436; H01M
10/052; H01M 10/0565; H01M 10/30;
H01M 10/345; H01M 10/425; H01M
2010/0495; B25F 5/02; B25F 5/00; A61B
2017/00734

See application file for complete search history.

(56) **References Cited**

U.S. PATENT DOCUMENTS

D238,581 S *	1/1976	Lehmann	D13/184
D373,755 S *	9/1996	Chen	D13/103
D375,482 S	11/1996	Andrews		
D383,434 S	9/1997	Hooke et al.		
D412,153 S	7/1999	Chen		
D419,132 S	1/2000	Suzuki et al.		
D458,900 S	6/2002	Carter et al.		
D491,138 S	6/2004	Minato		
D517,479 S	3/2006	Schemm		
D527,344 S	8/2006	Rajpara et al.		
D550,613 S *	9/2007	Hamasaki	D13/103
D604,696 S	11/2009	Tasai		
D610,083 S	2/2010	Chen et al.		

D632,643 S *	2/2011	Tanaka	D13/103
D643,811 S	8/2011	Qualls et al.		
D665,343 S	8/2012	Qualls, Jr. et al.		
D687,372 S	8/2013	Tang		
D689,017 S	9/2013	Ambrose et al.		
D718,231 S	11/2014	Burns et al.		
D719,088 S	12/2014	Koebler		
D721,647 S	1/2015	DeKeuster		
D731,413 S	6/2015	Ke et al.		
D760,159 S	6/2016	DeKeuster et al.		
D762,165 S *	7/2016	Rowe	D13/103

(Continued)

OTHER PUBLICATIONS

ODS-AGM16L Odyssey Extreme Series Battery, Found At: <https://www.odysseybattery.com/products/ods-agm16l-battery-pc680/>, Found on Feb. 6, 2021.

(Continued)

Primary Examiner — Nathaniel D. Buckner
(74) *Attorney, Agent, or Firm* — Tsz Lung Yeung

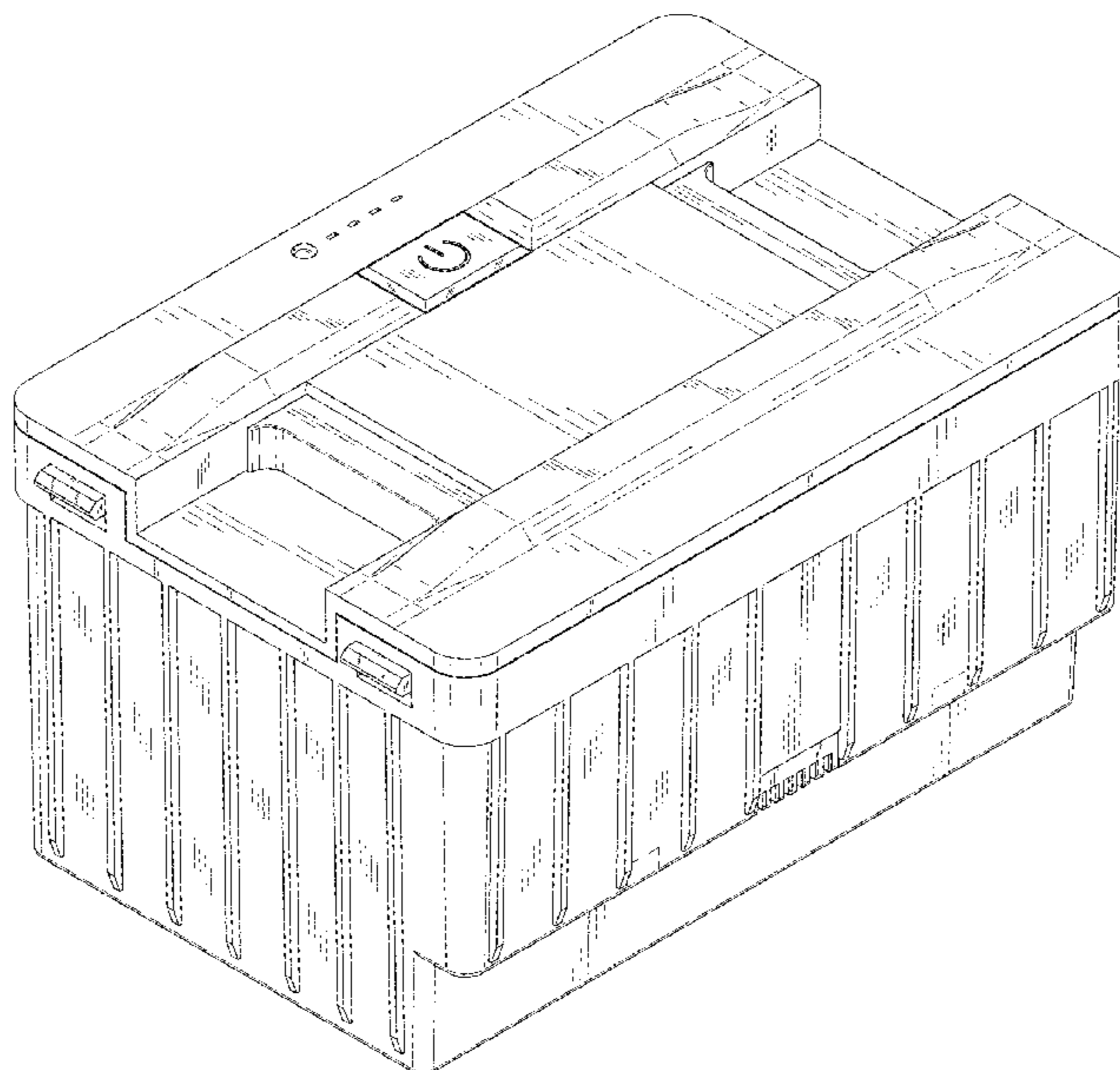
(57) **CLAIM**

The ornamental design for a battery for portable refrigerator, as shown and described.

DESCRIPTION

FIG. 1 is a perspective view of a battery for portable refrigerator showing my new design;
FIG. 2 is a front view thereof;
FIG. 3 is a rear view thereof;
FIG. 4 is a left side view thereof;
FIG. 5 is a right side view thereof;
FIG. 6 is a top view thereof;
FIG. 7 is a bottom view thereof; and,
FIG. 8 is a rear, bottom perspective view thereof.
The broken lines depict portions of the battery for portable refrigerator that form no part of the claimed design.

1 Claim, 8 Drawing Sheets



(56)

References Cited

U.S. PATENT DOCUMENTS

D790,453 S * 6/2017 Tinius D13/103
 D806,016 S 12/2017 Villarreal et al.
 D817,876 S * 5/2018 Meng D13/110
 D830,967 S 10/2018 Sugiyama et al.
 D855,018 S 7/2019 Gan
 D881,811 S 4/2020 Koebler
 D887,968 S 6/2020 Ebisawa et al.
 D890,698 S * 7/2020 Liu D13/108
 D911,933 S * 3/2021 Dong D13/104
 D920,938 S * 6/2021 Mattila D13/184
 2009/0325044 A1 * 12/2009 Rajpara H01M 10/48
 429/91
 2017/0229687 A1 * 8/2017 Elison H01M 50/20
 2018/0198110 A1 * 7/2018 Zeng H01M 50/581

OTHER PUBLICATIONS

Shorai Battery, Found at: <https://shoraipower.com/batteries-c41>,
 Found on Feb. 6, 2021.

GOSUN Powerbank, Found At: https://www.amazon.com/GOSUN-Cooler-PowerBank-Iceless-Powered/dp/B08CZGHT9C/ref=sr_1_32_sspa?dchild=1&keywords=battery+powered+cooler&qid=1614622126&sr=8-32-spons&psc=1&spLa=ZW5jcmlwdGVkUXVhbGlmaWVyPUEzMjNOMExWRFlhZVIE0JmVuY3J5cHRIZEFkPUEwOTgzODYyOFk1MTNYTUROTEJRJmVuY3J5cHRIZEFkS WQ9QTA5NTAzMDMxWTINWDBLTTZCWDIwJndpZGdlE5hbWU9c3BfbXRmJmFjdGlvbj1jbGlja1JIZGlyZWNoJmRvTm90TG9nQ2xpY2s9dHJ1ZQ==, Found on Feb. 6, 2021.

* cited by examiner

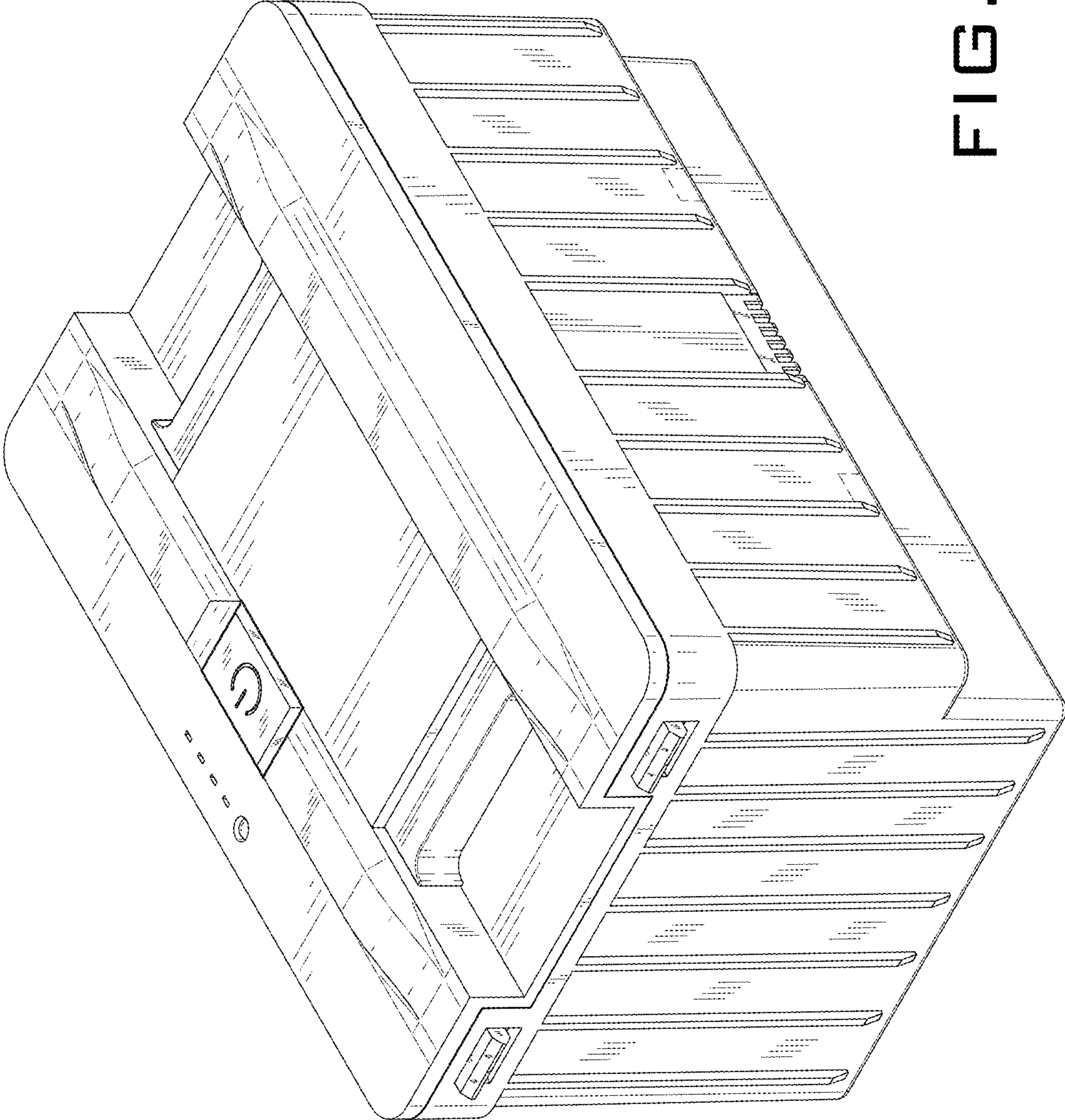


FIG. 1

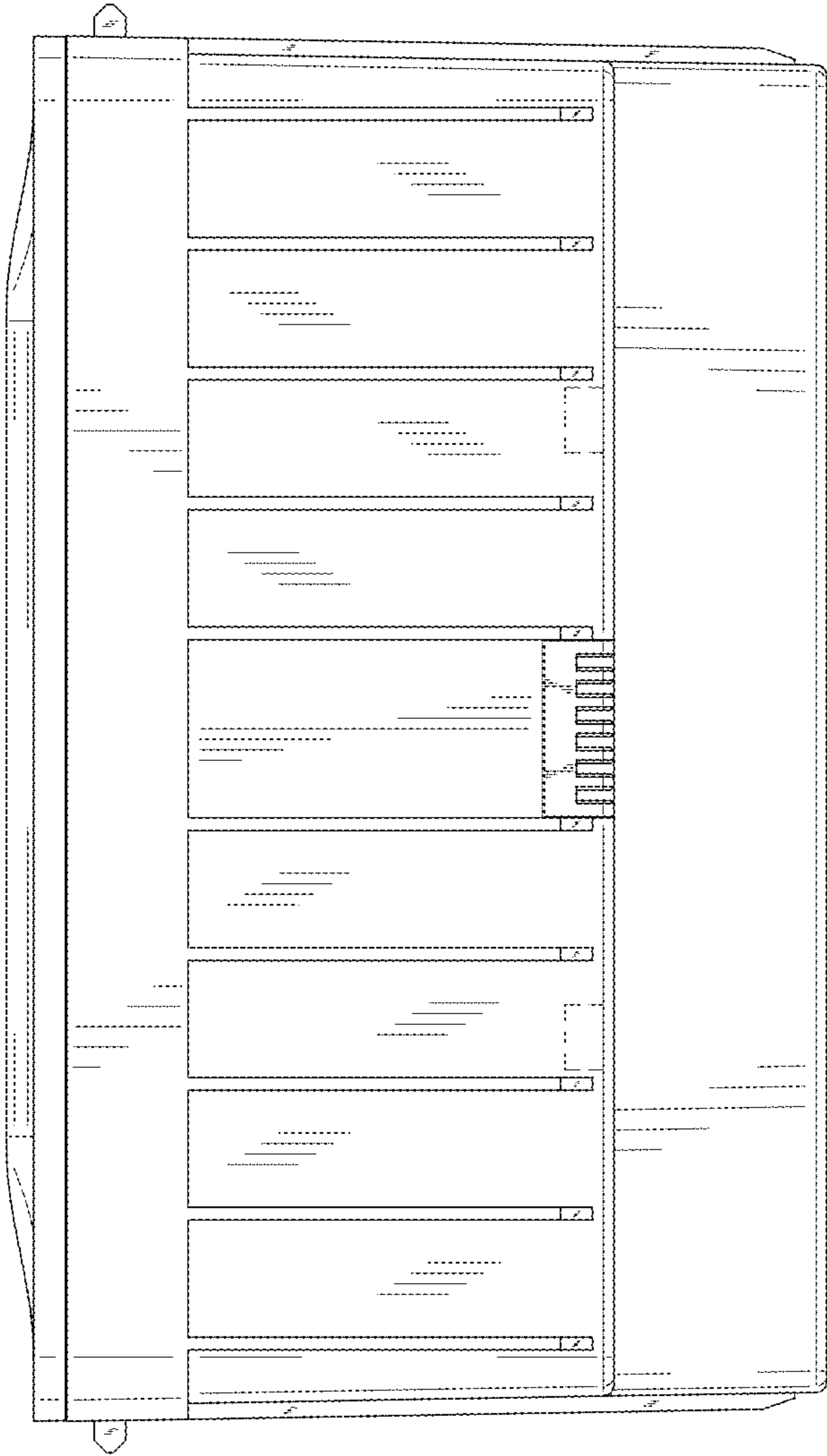


FIG. 2

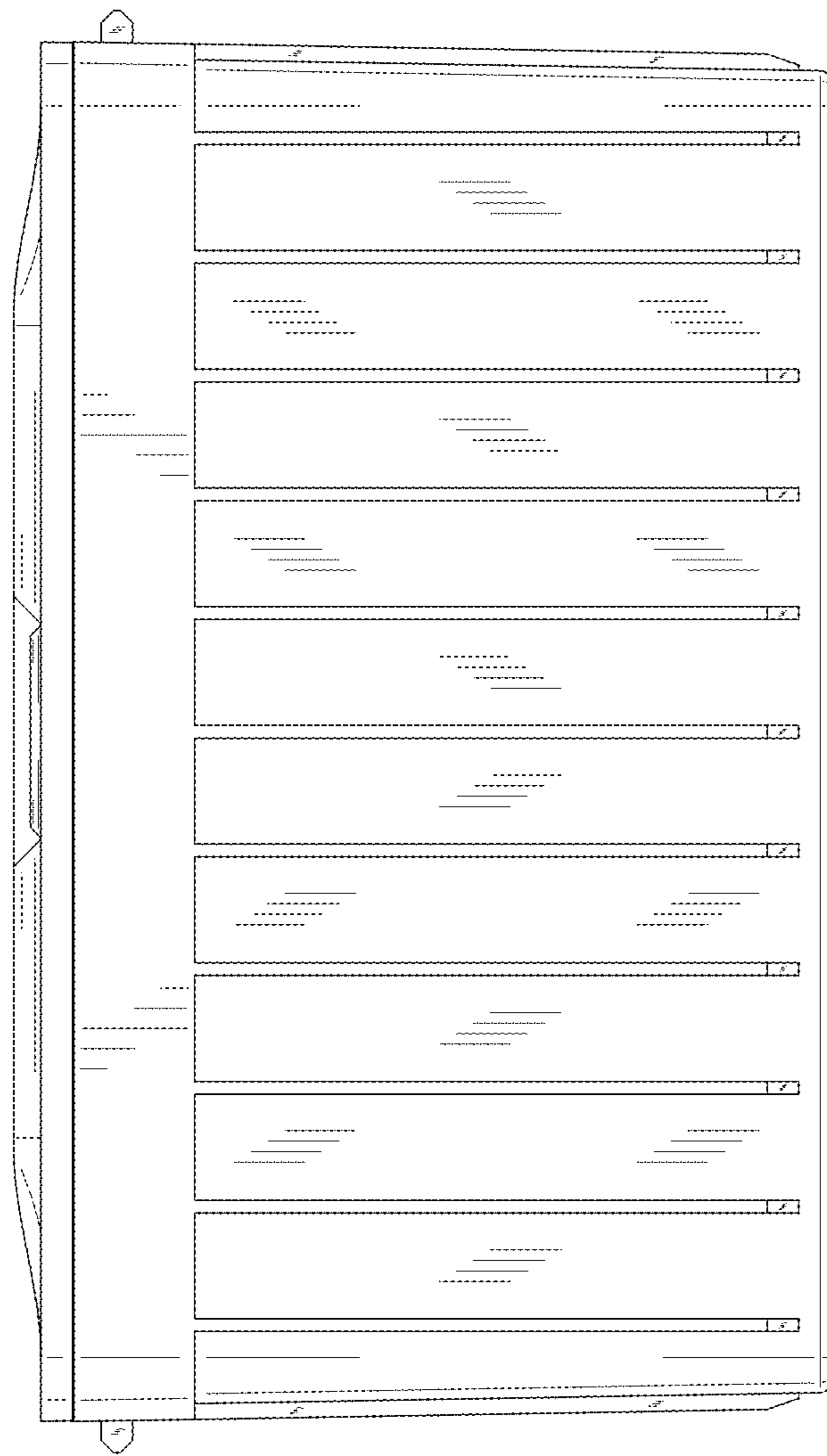


FIG. 3

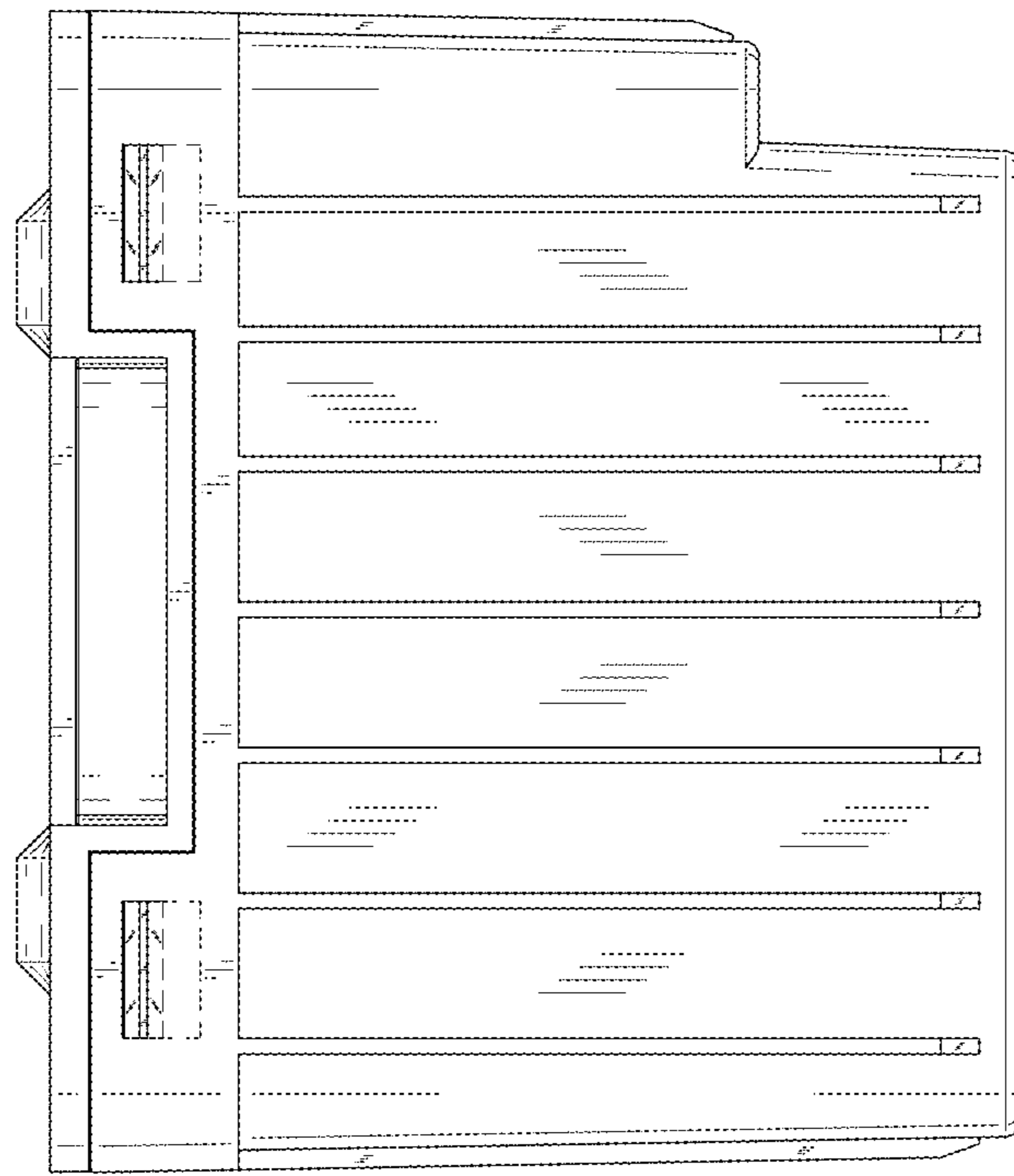


FIG. 4

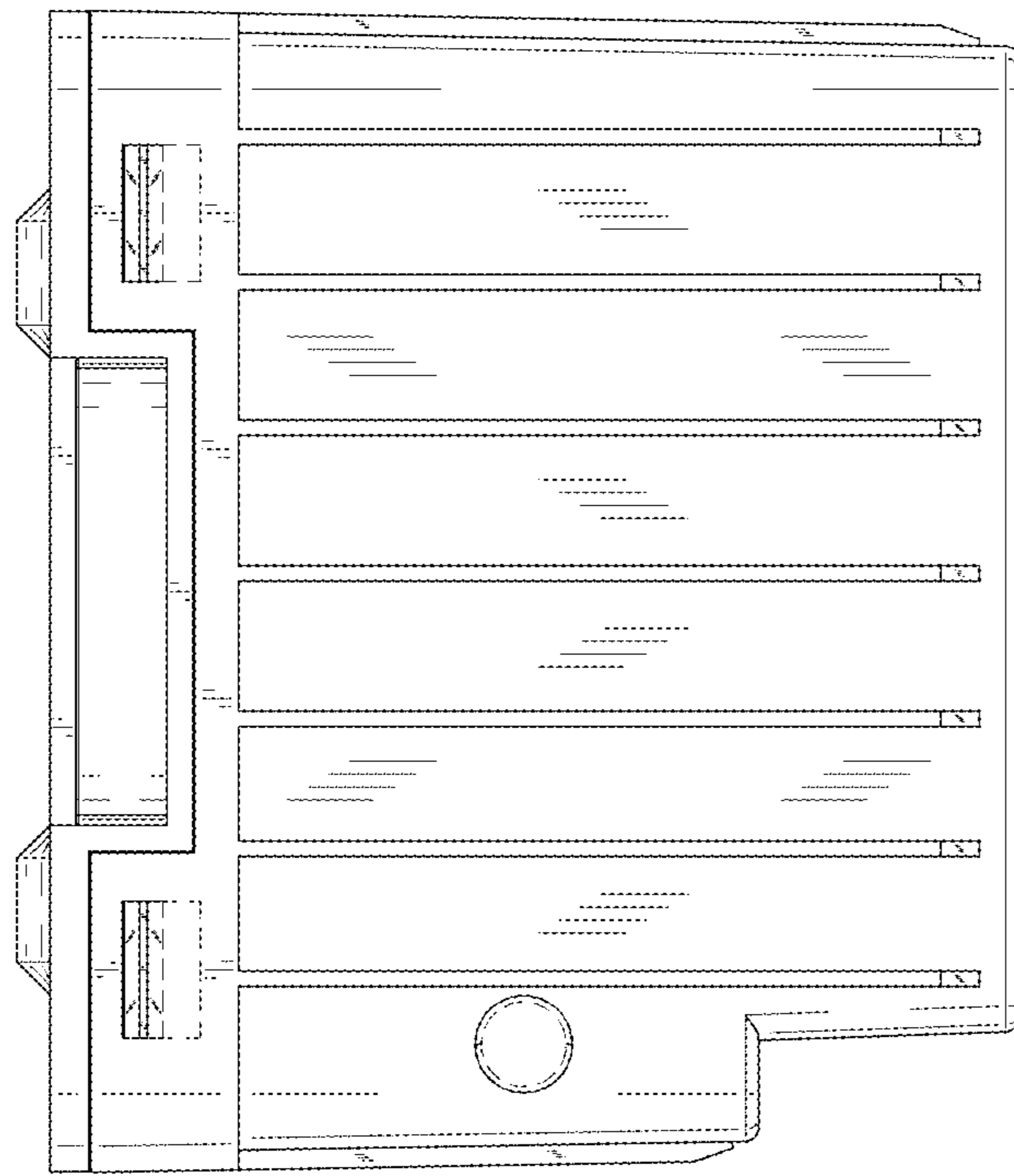


FIG. 5

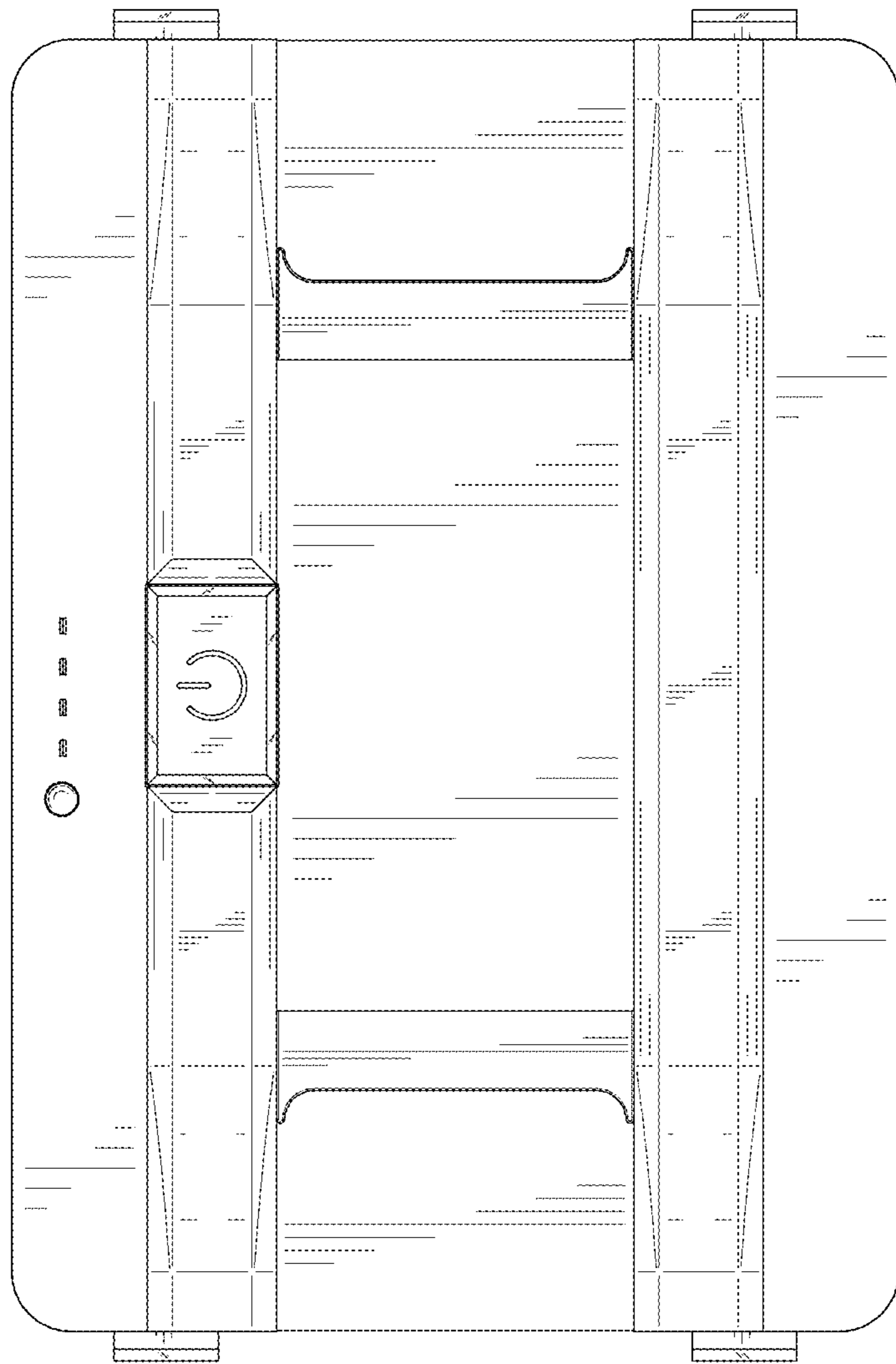


FIG. 6

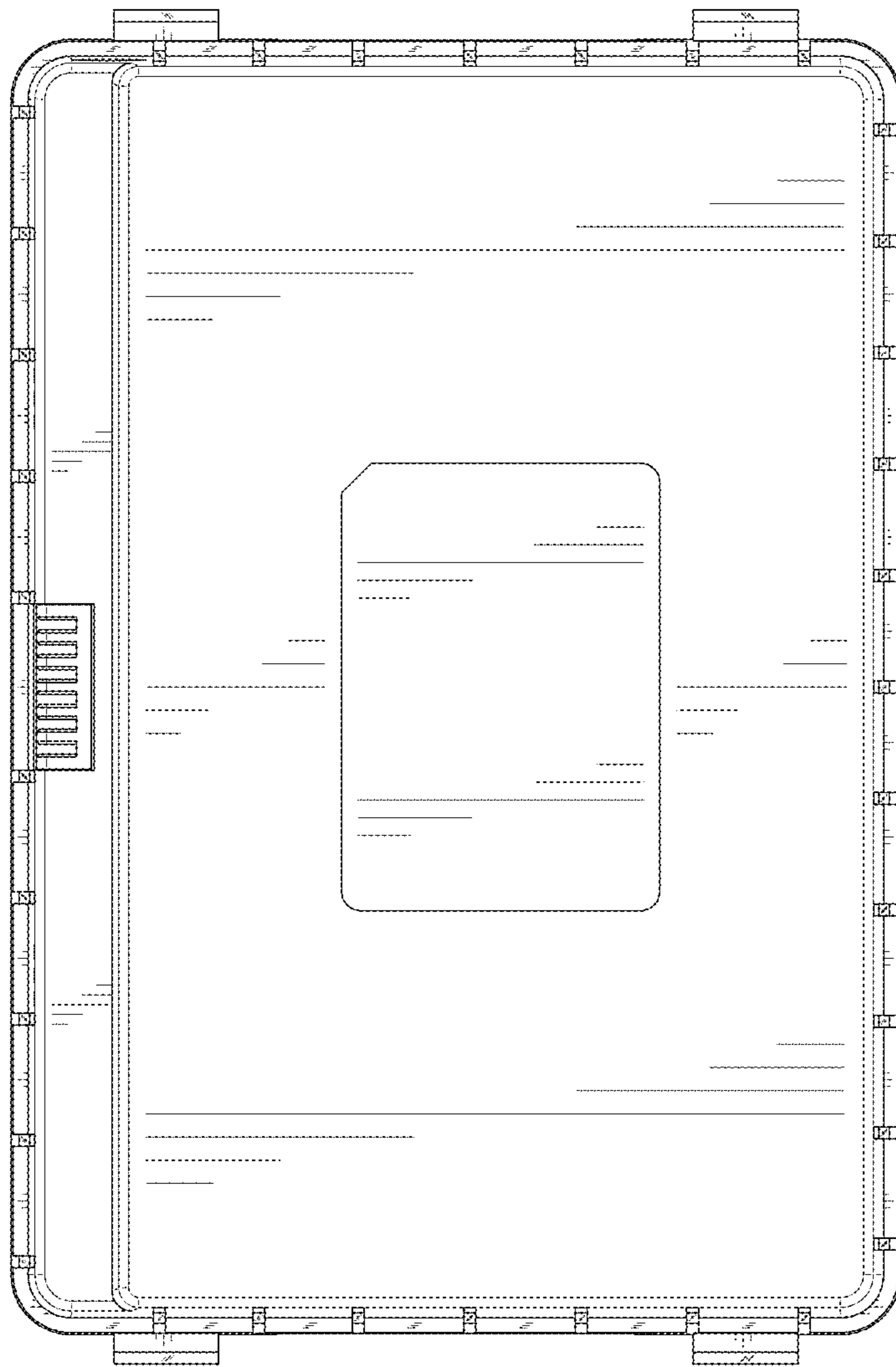


FIG. 7

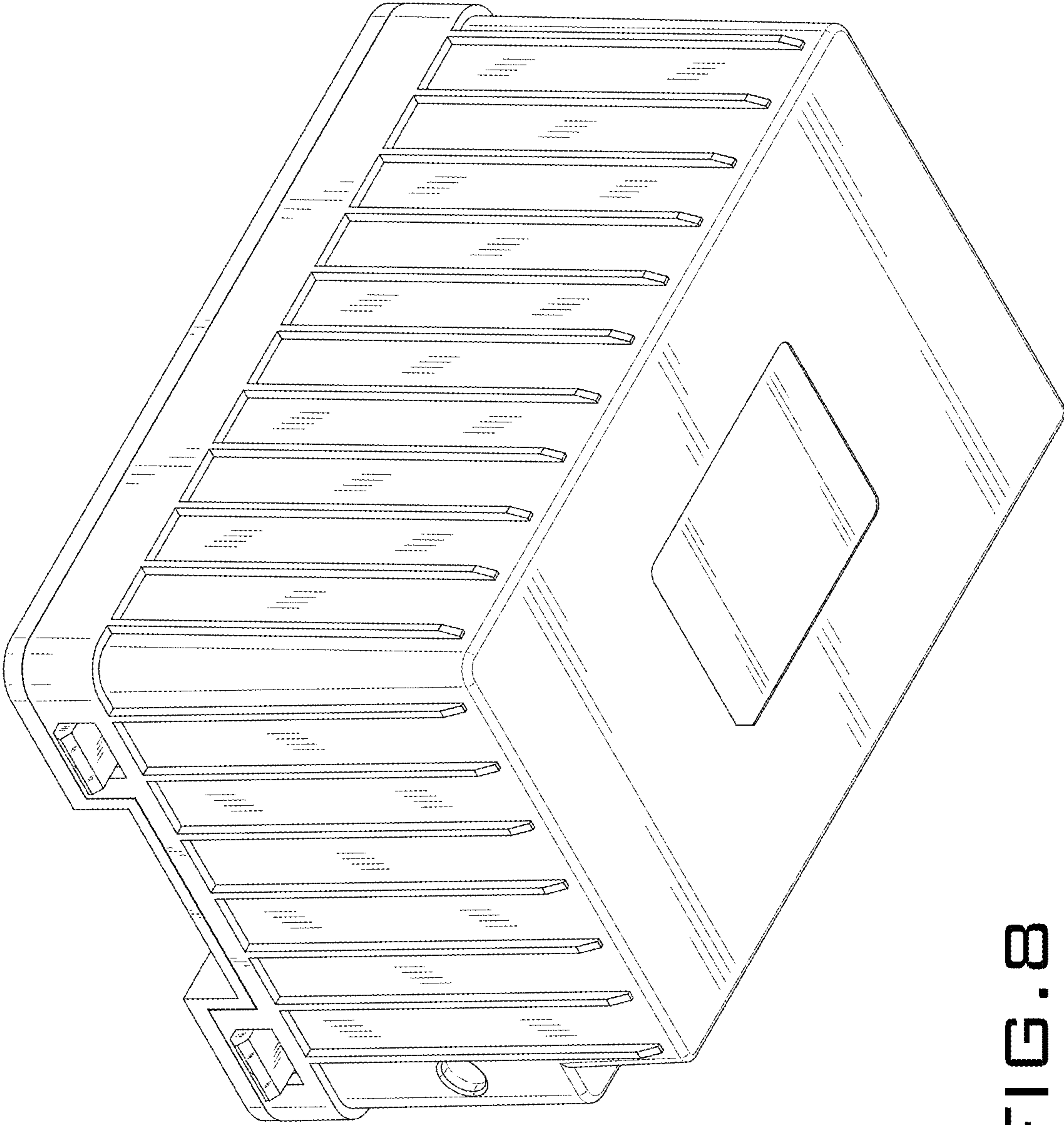


FIG. 8