

US00D939432S

(12) **United States Design Patent** (10) **Patent No.:** **US D939,432 S**
Botsai et al. (45) **Date of Patent:** **** Dec. 28, 2021**

(54) **BATTERY PACK**

- (71) Applicant: **ZEBRA TECHNOLOGIES CORPORATION**, Lincolnshire, IL (US)
- (72) Inventors: **Kurt Botsai**, Thousand Oaks, CA (US); **Petrica Dorinel Balcan**, Thousand Oaks, CA (US); **Lawrence E. Smolenski**, Newbury Park, CA (US); **David L. Garbe**, Ventura, CA (US); **Arvind Chari**, Newbury Park, CA (US)
- (73) Assignee: **Zebra Technologies Corporation**, Lincolnshire, IL (US)
- (**) Term: **15 Years**
- (21) Appl. No.: **29/741,607**
- (22) Filed: **Jul. 14, 2020**

Related U.S. Application Data

- (63) Continuation of application No. 29/607,064, filed on Jun. 9, 2017, now Pat. No. Des. 893,410.
- (51) **LOC (13) Cl.** **13-02**
- (52) **U.S. Cl.**
USPC **D13/103**
- (58) **Field of Classification Search**
USPC D13/102-106, 110, 118-119, 184
CPC . Y02E 60/10; H01M 2220/30; H01M 50/209; H01M 50/213; H01M 50/183; H01M 50/10; H01M 50/529; H01M 50/531; H01M 10/0525; H01M 10/0436; H01M 10/052; H01M 10/0565; H01M 10/30; H01M 10/345; H01M 10/425; H01M 2010/0495; B25F 5/02; B25F 5/00; A61B 2017/00734

See application file for complete search history.

(56) **References Cited**

U.S. PATENT DOCUMENTS

5,180,644 A *	1/1993	Bresin	H01M 50/581 429/98
D397,670 S	9/1998	Davies et al.	
D401,215 S	11/1998	Moskowitz et al.	
D404,356 S	1/1999	Higgins et al.	
D405,754 S	2/1999	Barkley et al.	
D414,158 S *	9/1999	Frye	D13/103
D422,962 S	4/2000	Shevlin et al.	
D461,163 S *	8/2002	Hirano	D13/103
D503,922 S *	4/2005	Shimizu	D13/103
D537,775 S	3/2007	Morris et al.	
D765,592 S	9/2016	Friend	
D776,611 S	1/2017	Thompson	
D790,453 S	6/2017	Tinius	
D820,781 S *	6/2018	Wolff	D13/103
D821,967 S *	7/2018	Narendra	D13/103
D830,961 S	10/2018	Doi	
D844,556 S	4/2019	Irfan	
D848,366 S	5/2019	Lian	

(Continued)

Primary Examiner — Nathaniel D. Buckner

(57) **CLAIM**

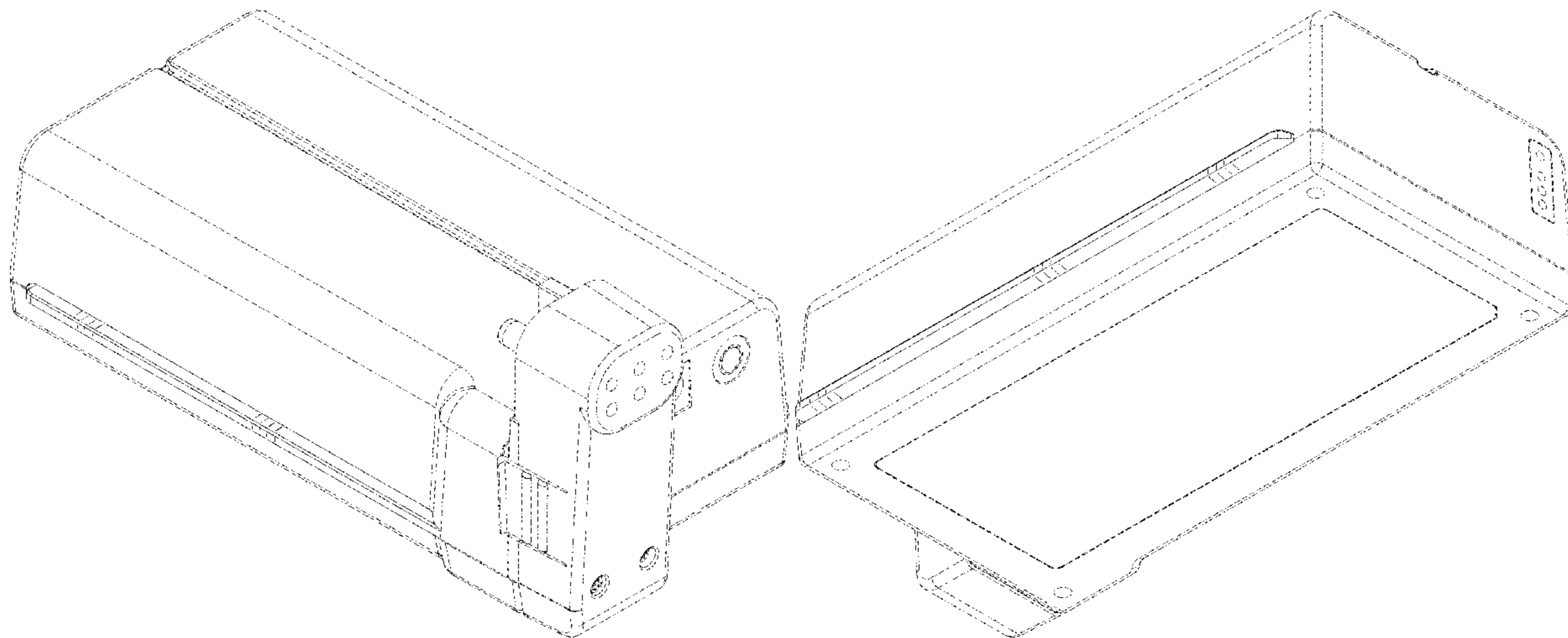
We claim the ornamental design for a battery pack, as shown and described.

DESCRIPTION

FIG. 1 is a first perspective view of an example battery pack; FIG. 2 is a second perspective view thereof; FIG. 3 is a rear view thereof; FIG. 4 is a front view thereof; FIG. 5 is a first side view thereof; FIG. 6 is a second side view thereof; FIG. 7 is a top view thereof; and, FIG. 8 is a bottom view thereof.

The broken lines in the figures depict portions of the battery pack which form no part of the claimed design.

1 Claim, 7 Drawing Sheets



(56)

References Cited

U.S. PATENT DOCUMENTS

D848,943 S * 5/2019 Chojnowski D13/103
D849,679 S 5/2019 Tian et al.
D893,410 S * 8/2020 Botsai D13/103
D894,118 S * 8/2020 Liu D13/103
D911,923 S * 3/2021 Brennan, Jr. D13/103
D913,214 S * 3/2021 Duman D13/103
2020/0269620 A1 * 8/2020 Hanagami H01M 50/24
2020/0328385 A1 * 10/2020 Hou H01M 50/502

* cited by examiner

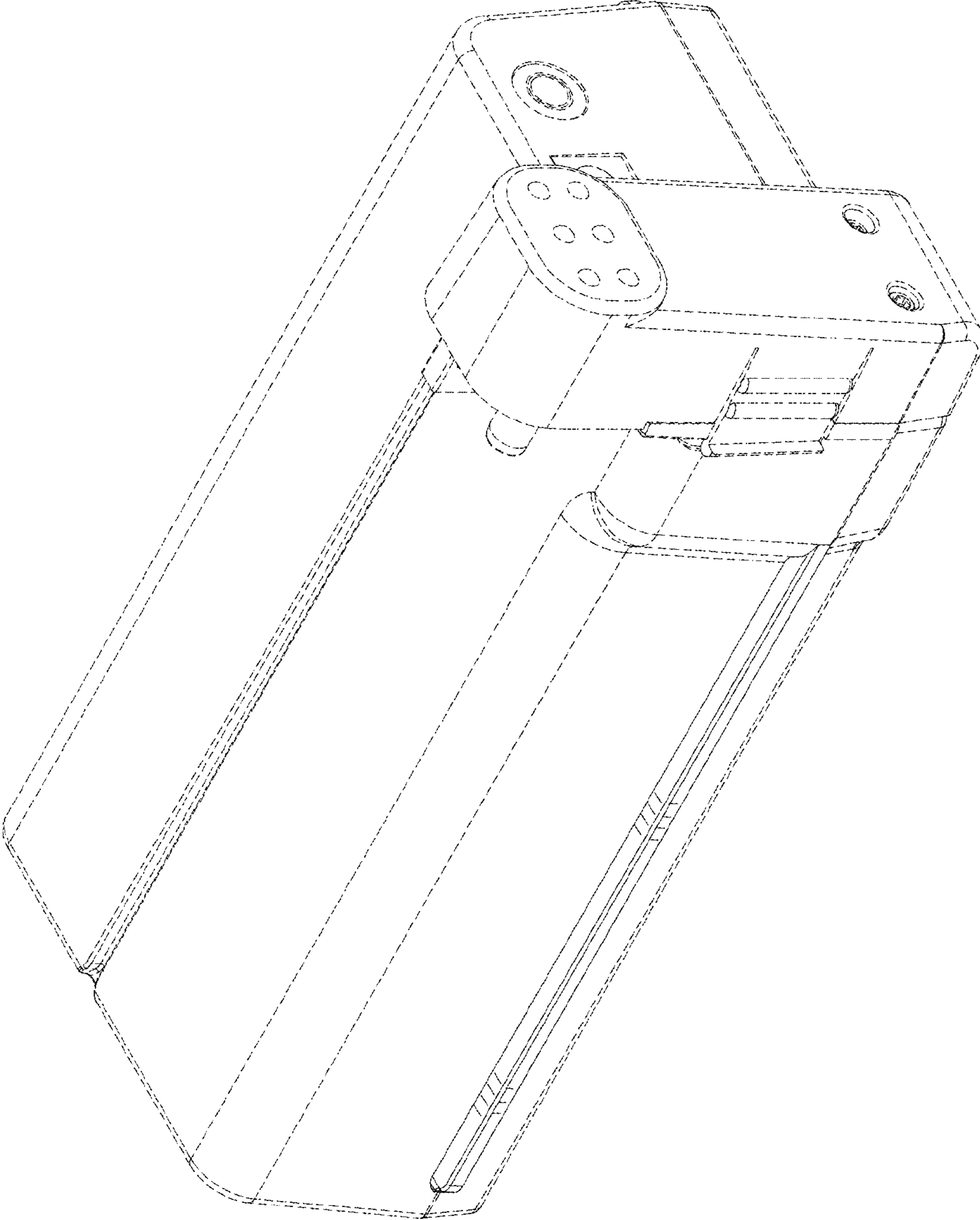


FIG. 1

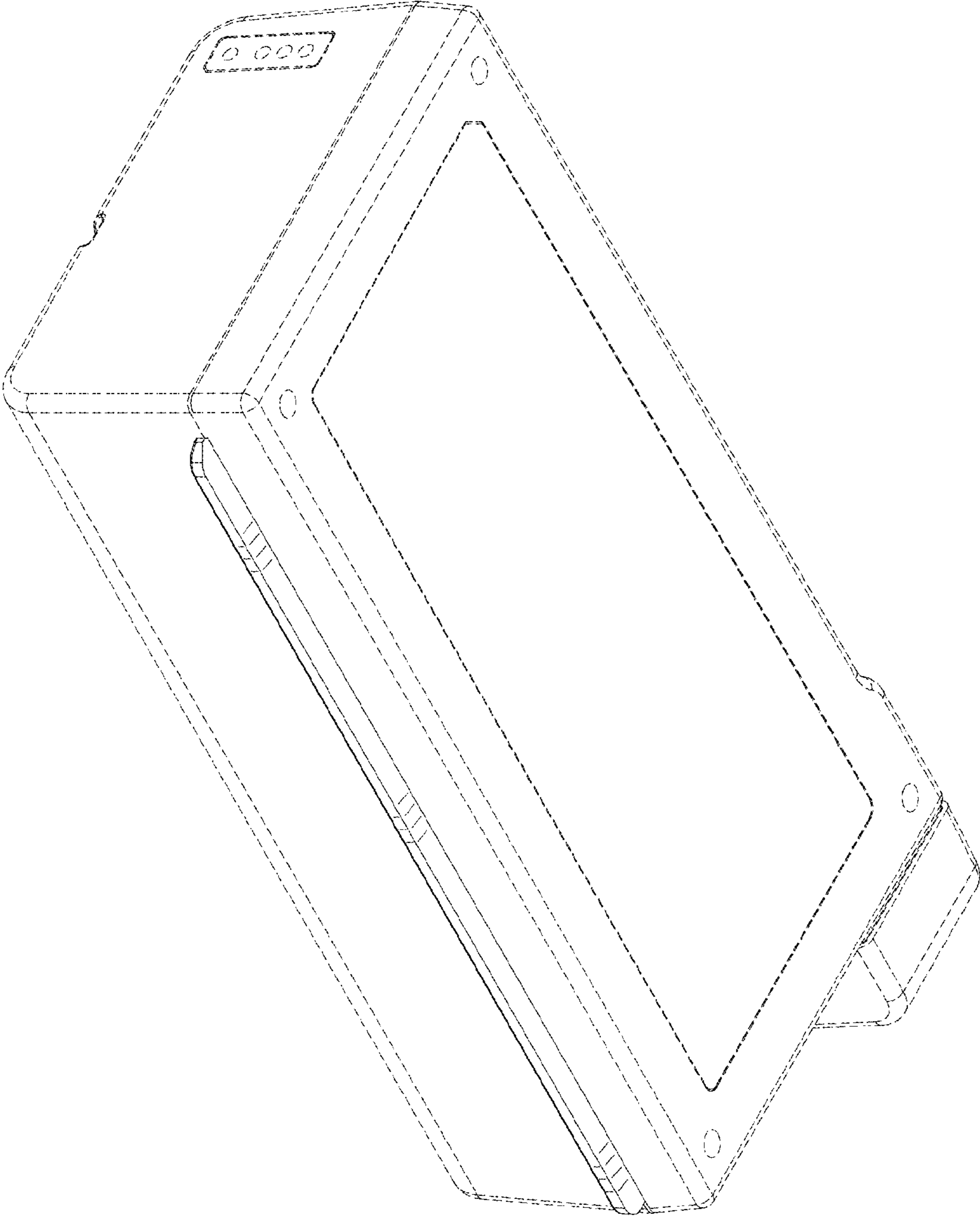


FIG. 2

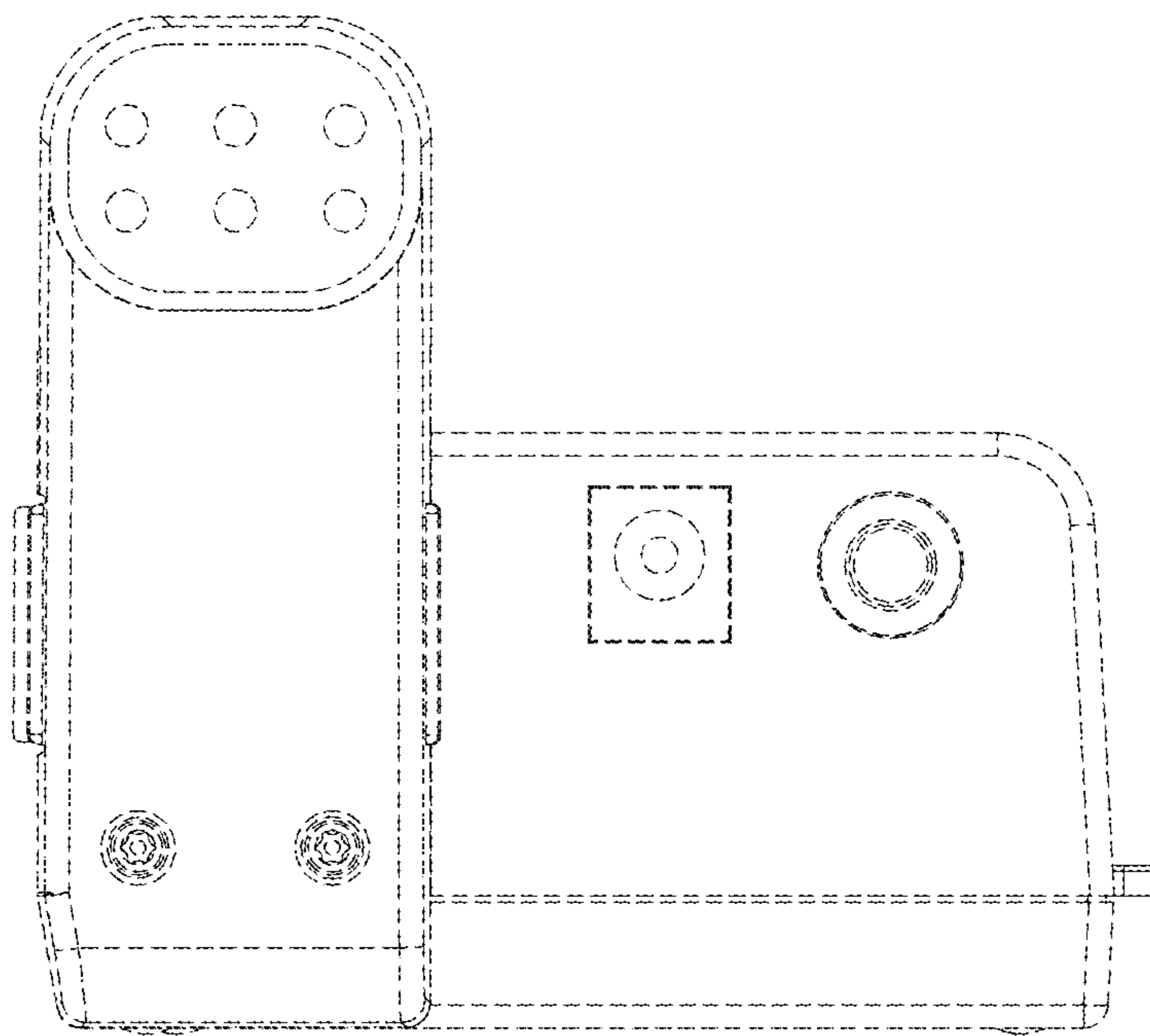


FIG. 3

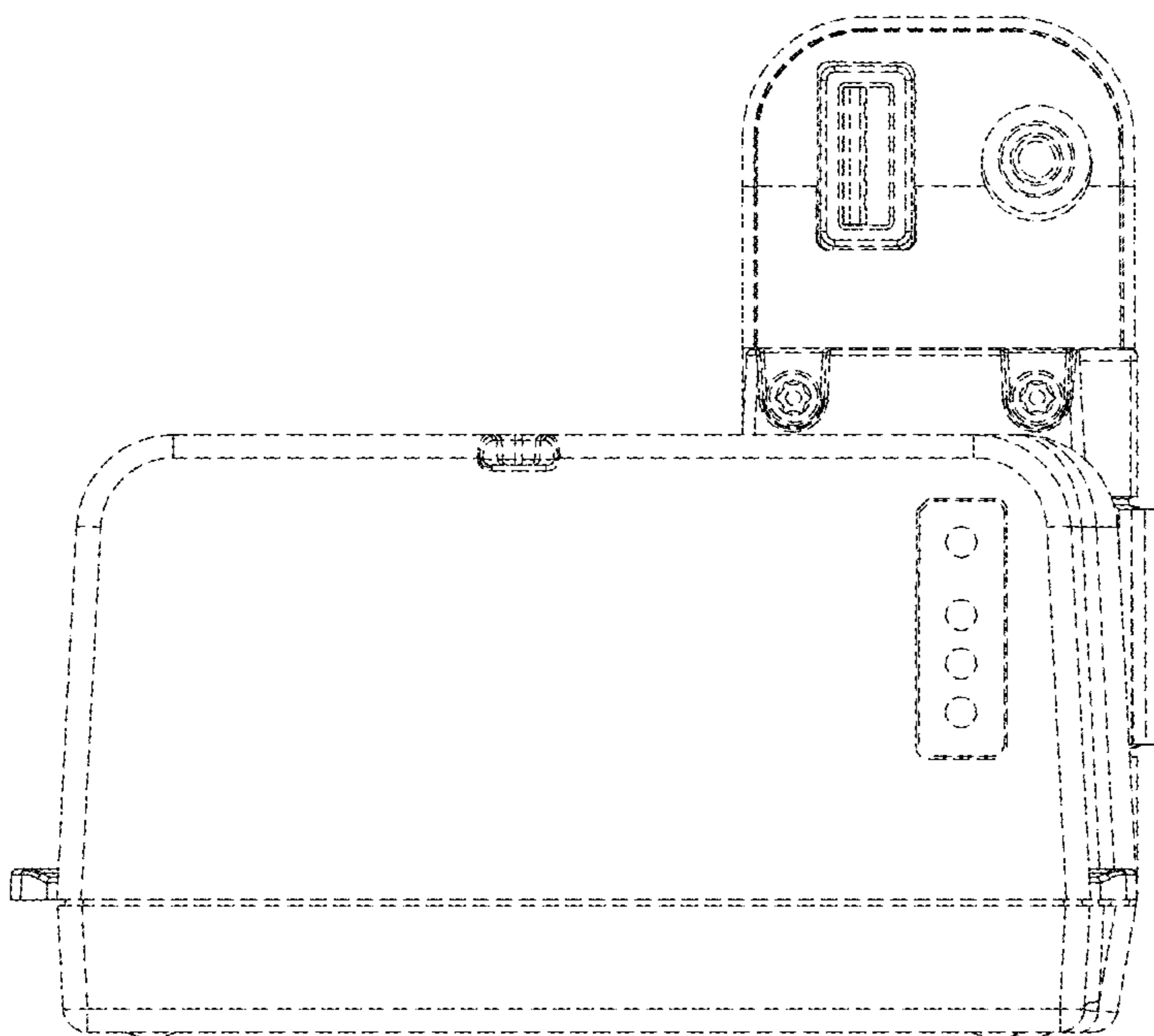


FIG. 4

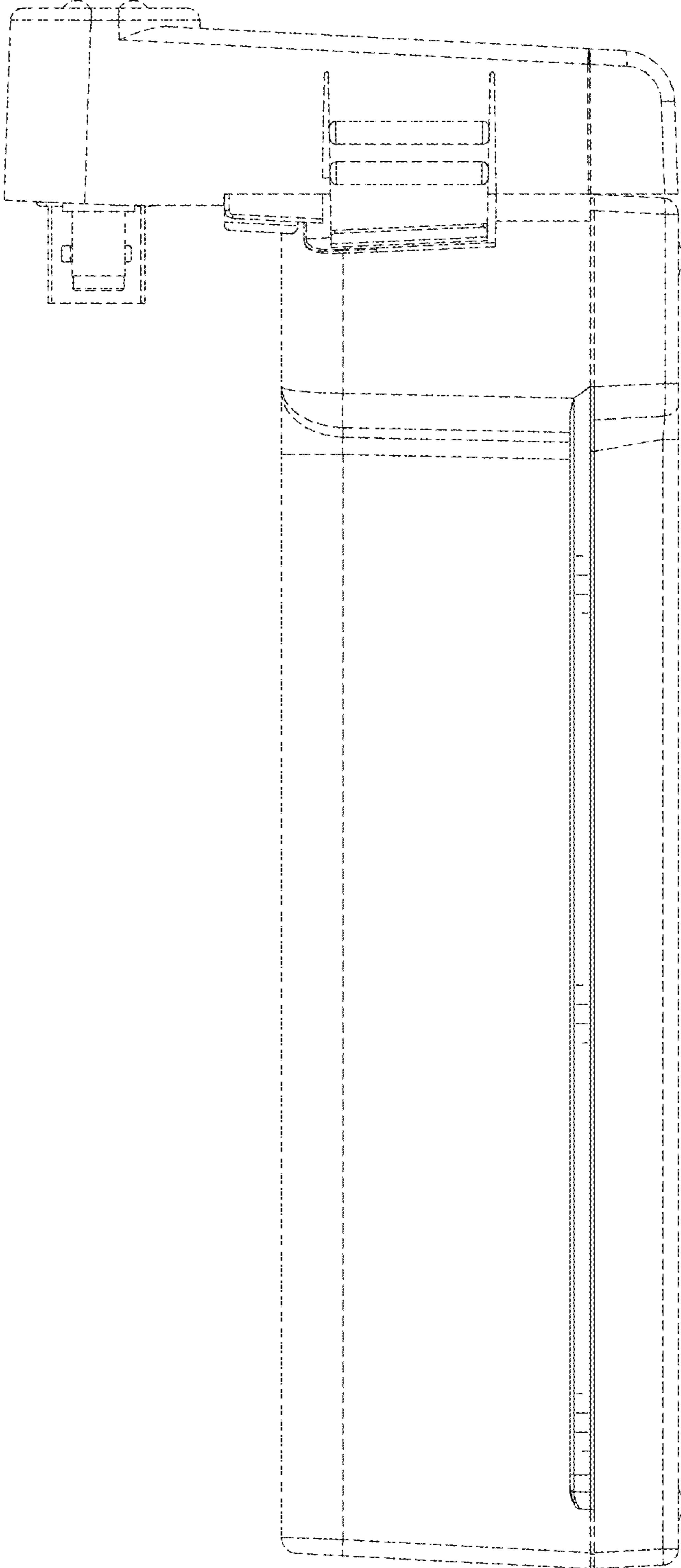


FIG. 5

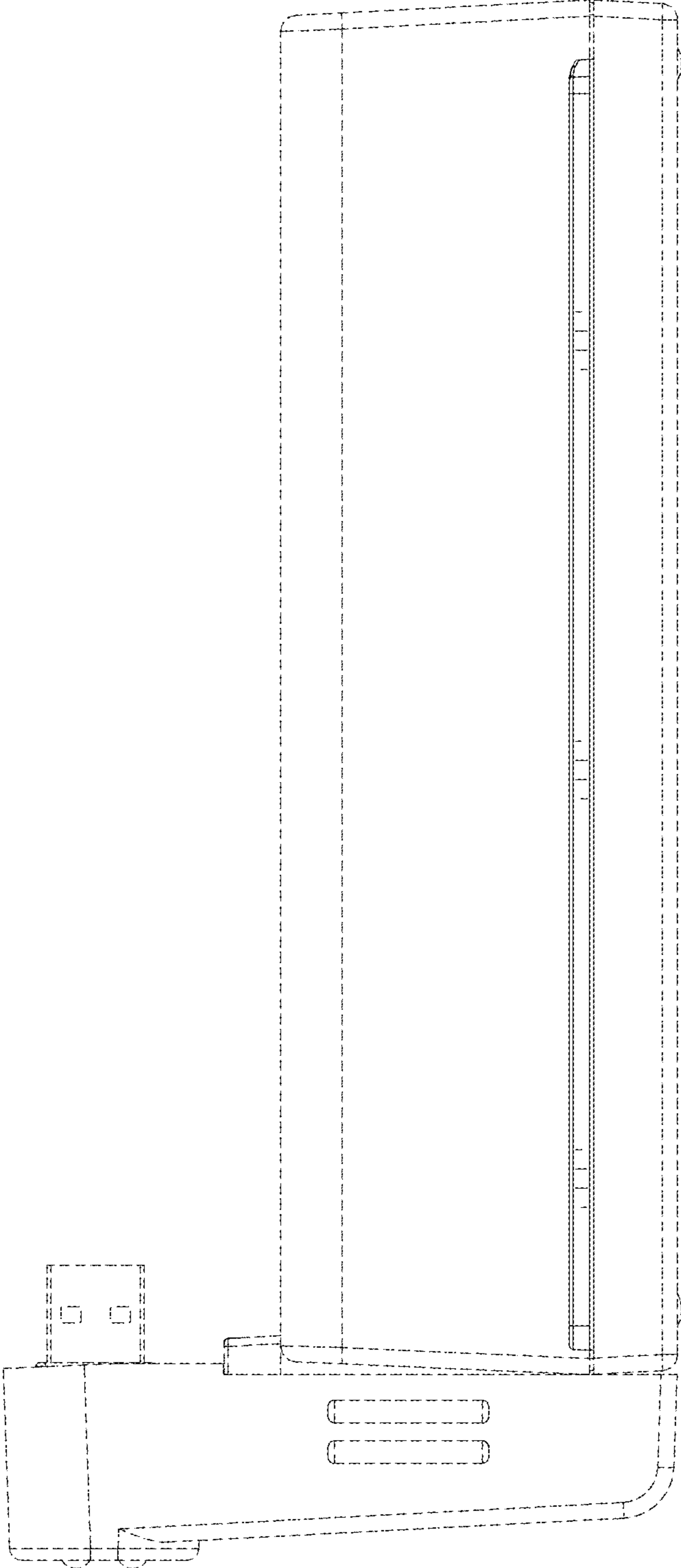


FIG. 6

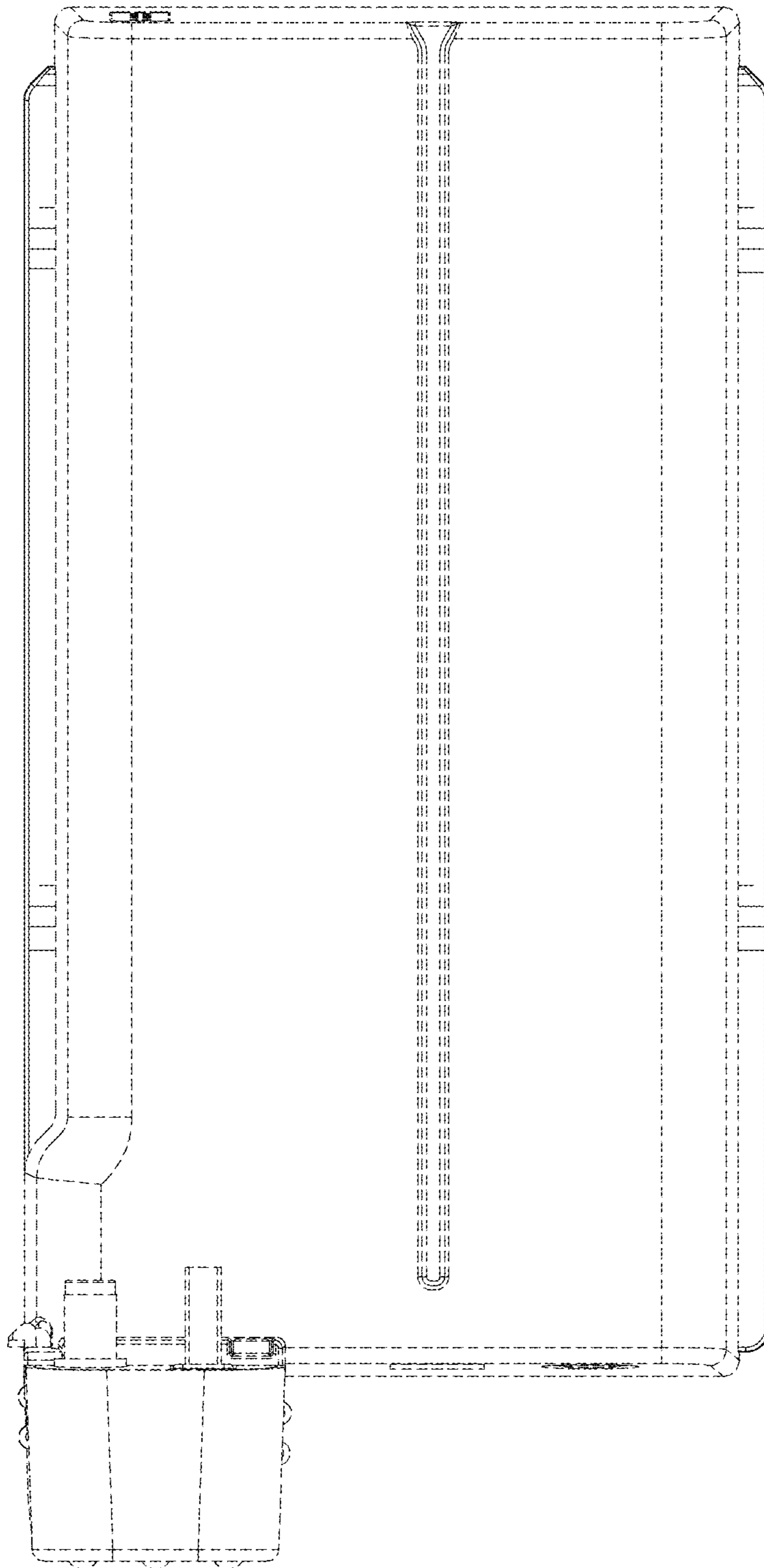


FIG. 7

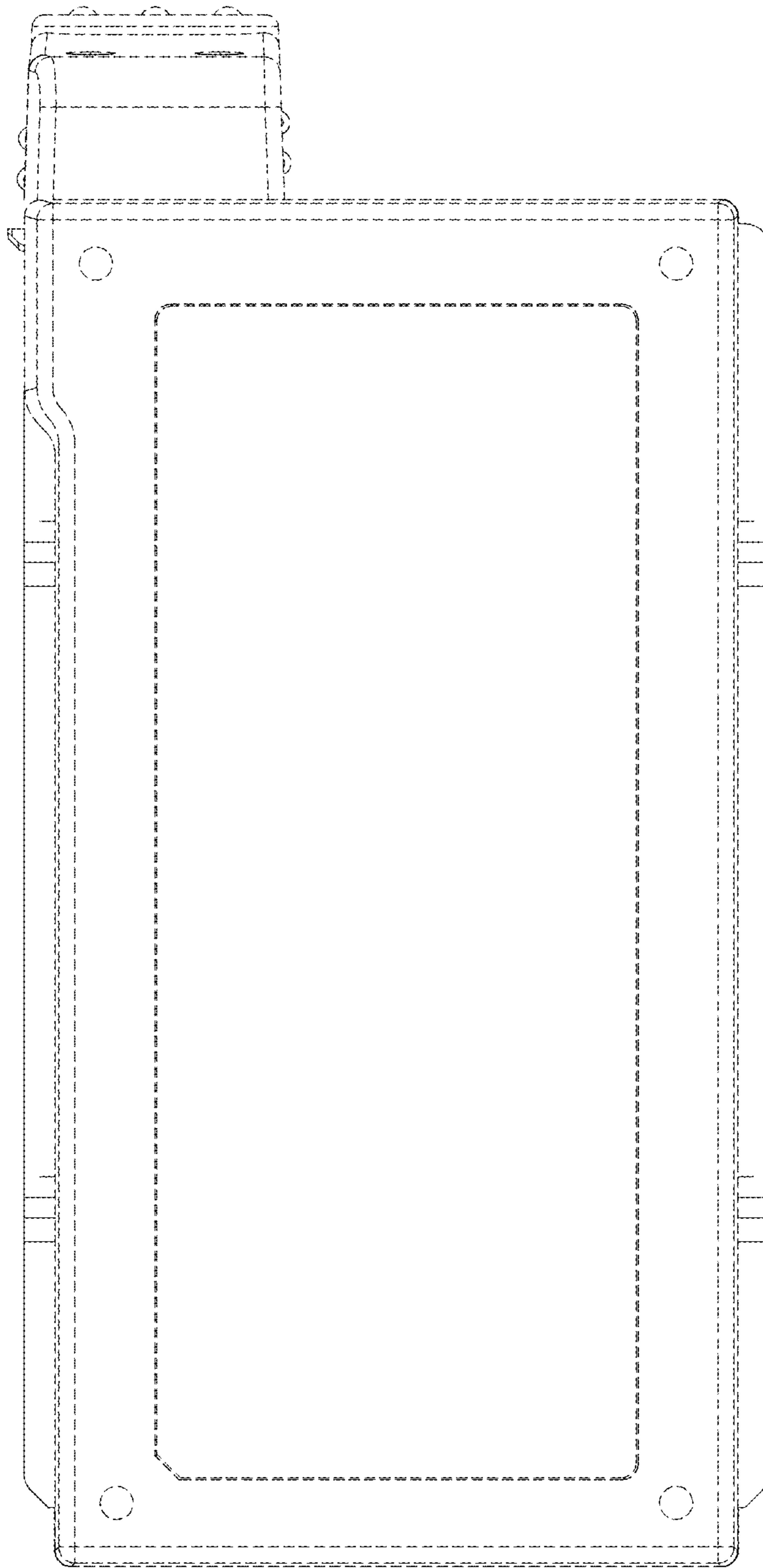


FIG. 8