



US00D939431S

(12) **United States Design Patent**  
**Thorne et al.**

(10) **Patent No.:** **US D939,431 S**  
(45) **Date of Patent:** **\*\* Dec. 28, 2021**

- (54) **BATTERY**
- (71) Applicant: **SimpliSafe, Inc.**, Boston, MA (US)
- (72) Inventors: **Scott Joseph Thorne**, Cambridge, MA (US); **Dirk Ahlgrim**, Boston, MA (US); **Rebecca Petersen**, Medford, MA (US)
- (73) Assignee: **SimpliSafe, Inc.**, Boston, MA (US)
- (\*\*) Term: **15 Years**
- (21) Appl. No.: **29/735,028**
- (22) Filed: **May 18, 2020**
- (51) **LOC (13) Cl.** ..... **13-02**
- (52) **U.S. Cl.**  
USPC ..... **D13/103**
- (58) **Field of Classification Search**  
USPC ..... D13/102–106, 118, 199, 184  
CPC ..... Y02E 60/12; Y02E 60/122; Y02E 60/124;  
Y02E 60/50; H01M 2/02; H01M 2/022;  
H01M 2/0207; H01M 2/0212; H01M  
2/1061; H01M 2/1022; H01M 2/1055;  
H01M 2/1066; H01M 2/105; H01M  
2/204; H01M 10/4257; H01M 10/0436;  
H01M 10/48  
See application file for complete search history.

(56) **References Cited**

**U.S. PATENT DOCUMENTS**

D349,714 S	8/1994	Hasegawa	
D409,975 S *	5/1999	Zeller	D13/103
D500,511 S	1/2005	Sybilrud	
D593,940 S *	6/2009	Nomi	D13/103
D624,577 S	9/2010	Kujawski et al.	
D659,871 S	5/2012	Lee et al.	
D686,981 S *	7/2013	Koyabu	D13/103

D797,176 S	9/2017	Lin et al.	
D832,329 S	10/2018	Li	
D839,823 S *	2/2019	Lemelson	D13/103
D860,131 S *	9/2019	Siminoff	D13/103
D877,064 S *	3/2020	Jiang	D13/103
D911,950 S *	3/2021	Zhang	D13/108
D914,604 S *	3/2021	Wang	D13/118
D916,015 S *	4/2021	Li	D13/108
D922,945 S *	6/2021	Sun	D13/108

**OTHER PUBLICATIONS**

- U.S. Appl. No. 29/735,017, filed May 18, 2020, Thorne et al.
- U.S. Appl. No. 29/735,020, filed May 18, 2020, Thorne et al.
- U.S. Appl. No. 29/735,025, filed May 18, 2020, Thorne et al.
- U.S. Appl. No. 29/735,026, filed May 18, 2020, Thorne et al.

\* cited by examiner

*Primary Examiner* — Christy Nemeth

(74) *Attorney, Agent, or Firm* — Wolf, Greenfield & Sacks, P.C.

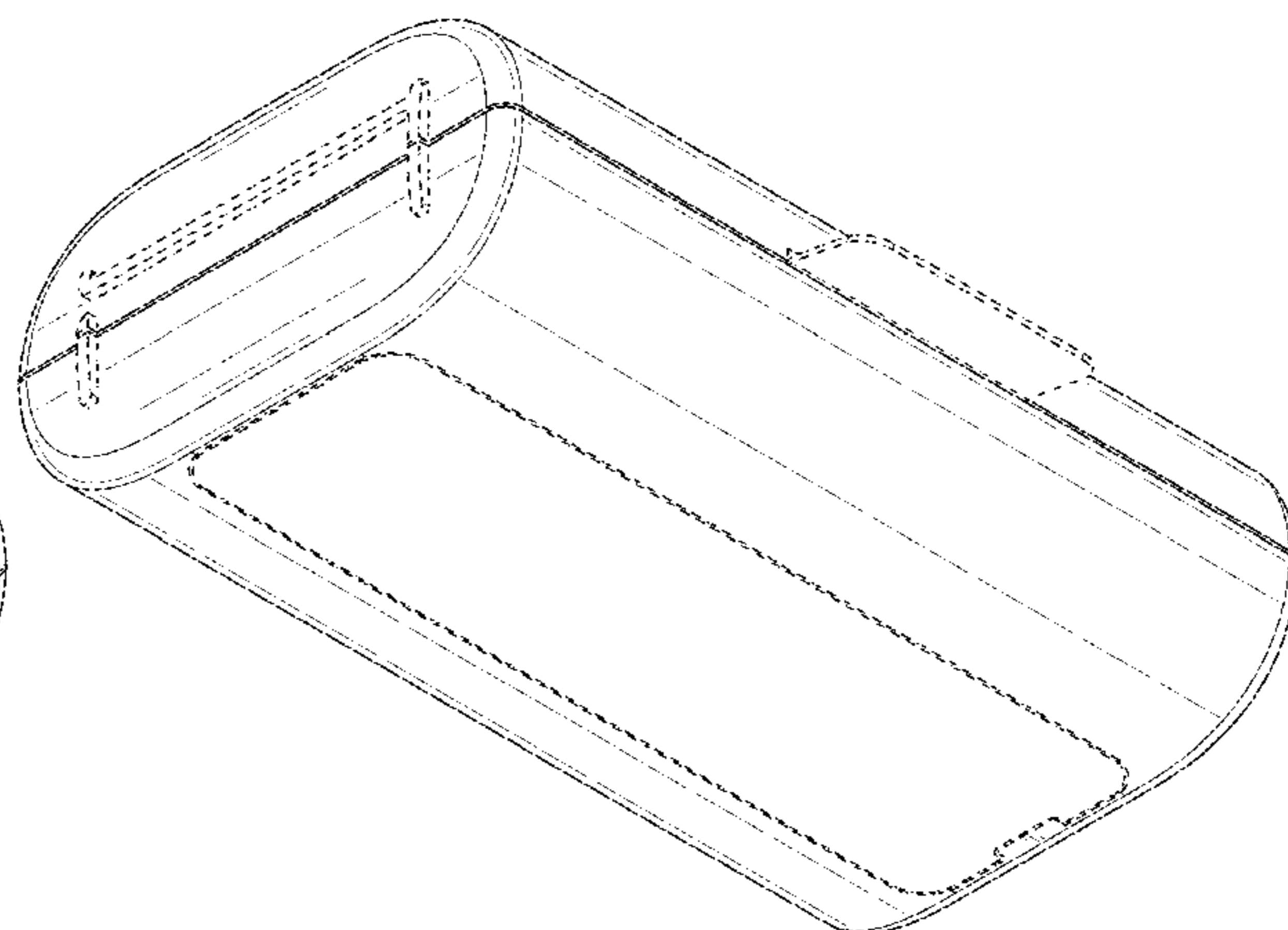
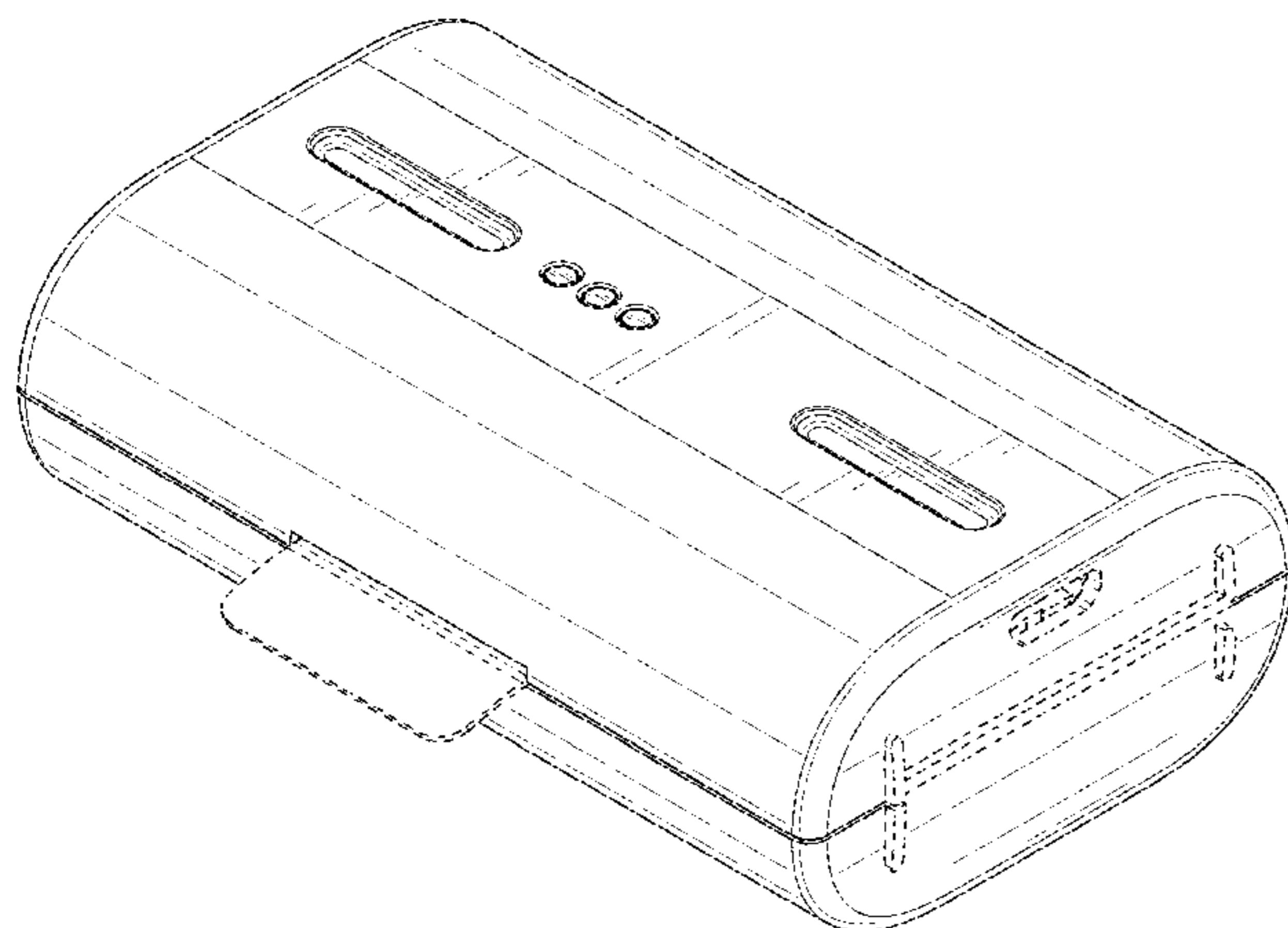
(57) **CLAIM**

The ornamental design for a battery, as shown and described.

**DESCRIPTION**

FIG. 1 is an upper, front, right perspective view of a battery; FIG. 2 is a lower, front, left perspective thereof; FIG. 3 is a front view thereof; FIG. 4 is a rear view thereof; FIG. 5 is a left side view thereof; FIG. 6 is a right side view thereof; FIG. 7 is a top view thereof; and, FIG. 8 is a bottom view thereof. Features shown in dashed line form no part of the claimed design.

**1 Claim, 6 Drawing Sheets**



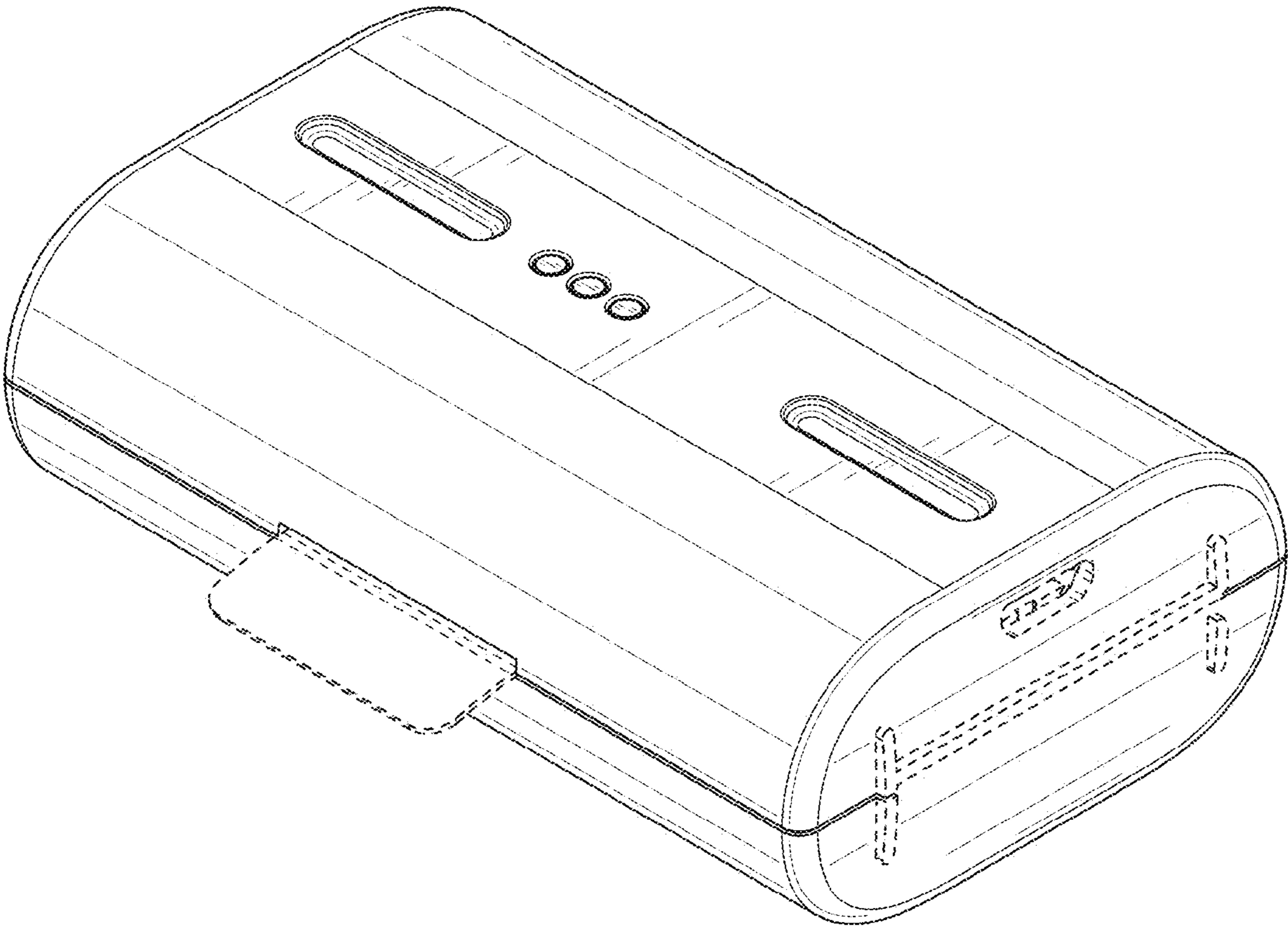


FIG. 1

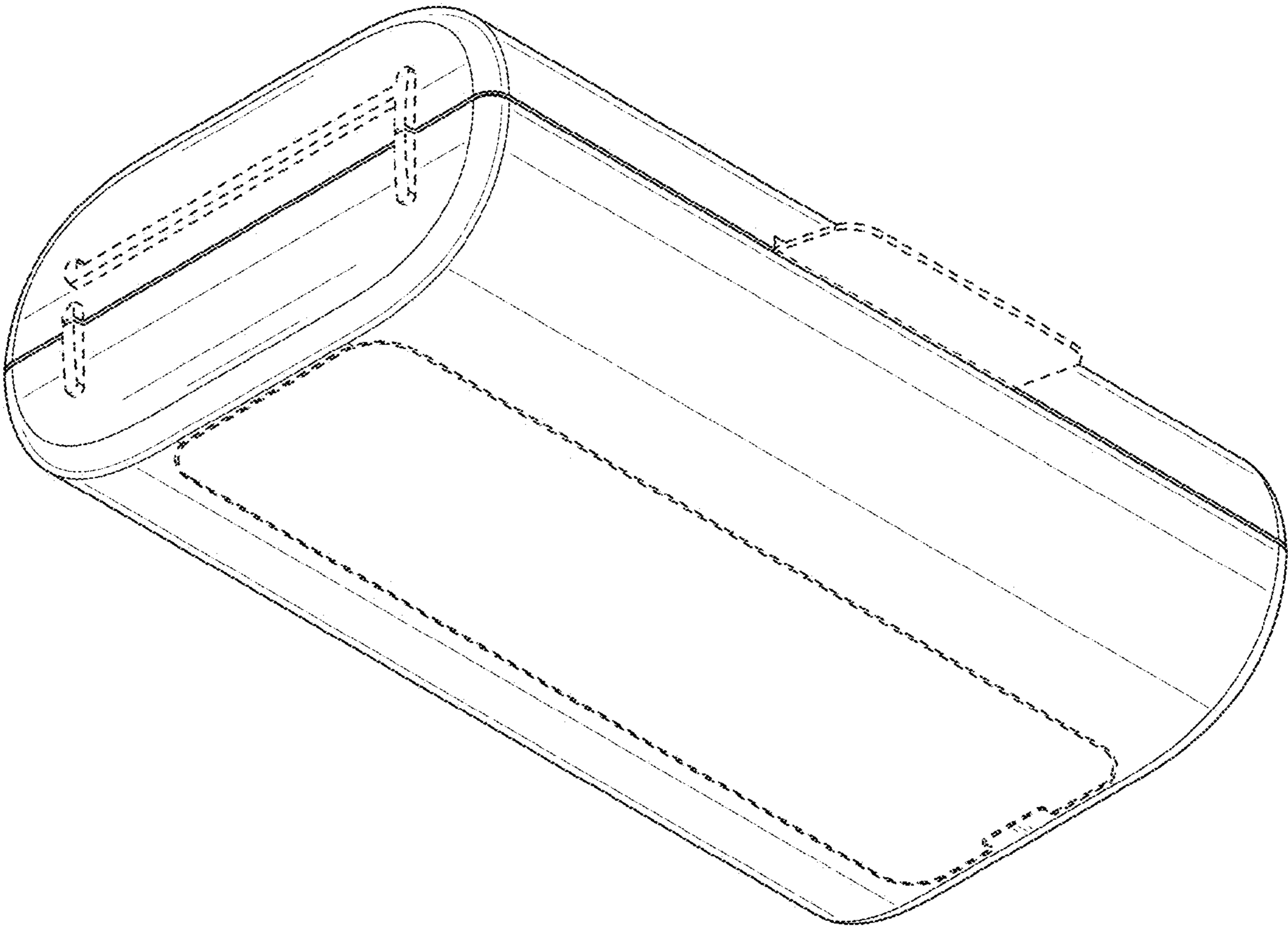


FIG. 2

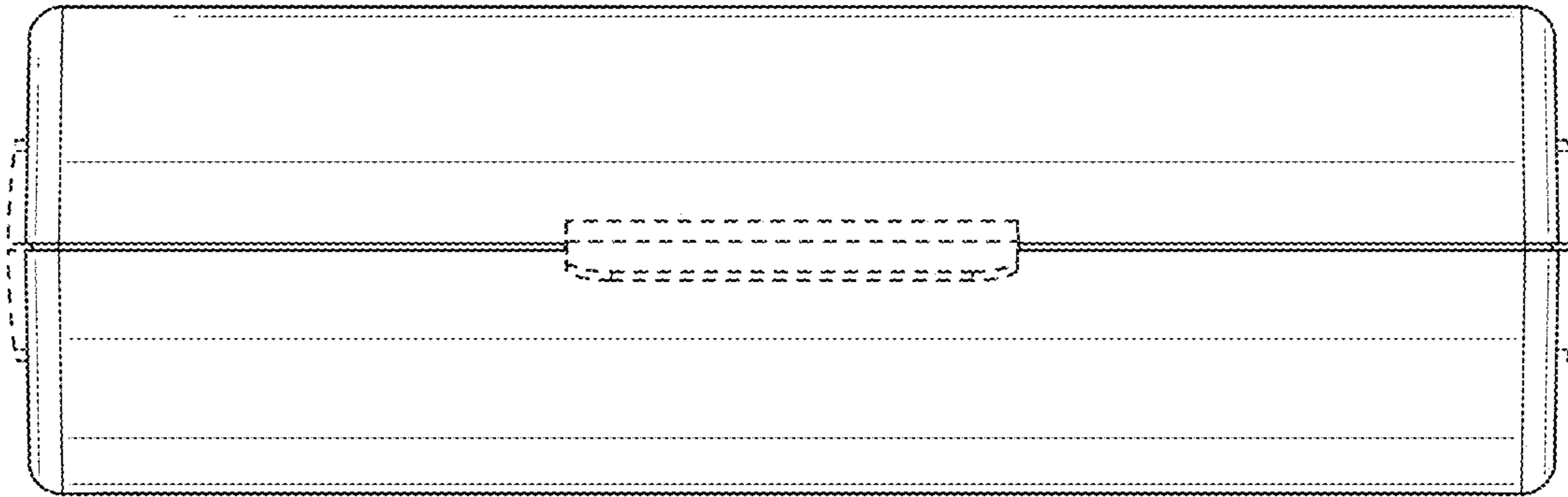


FIG. 3

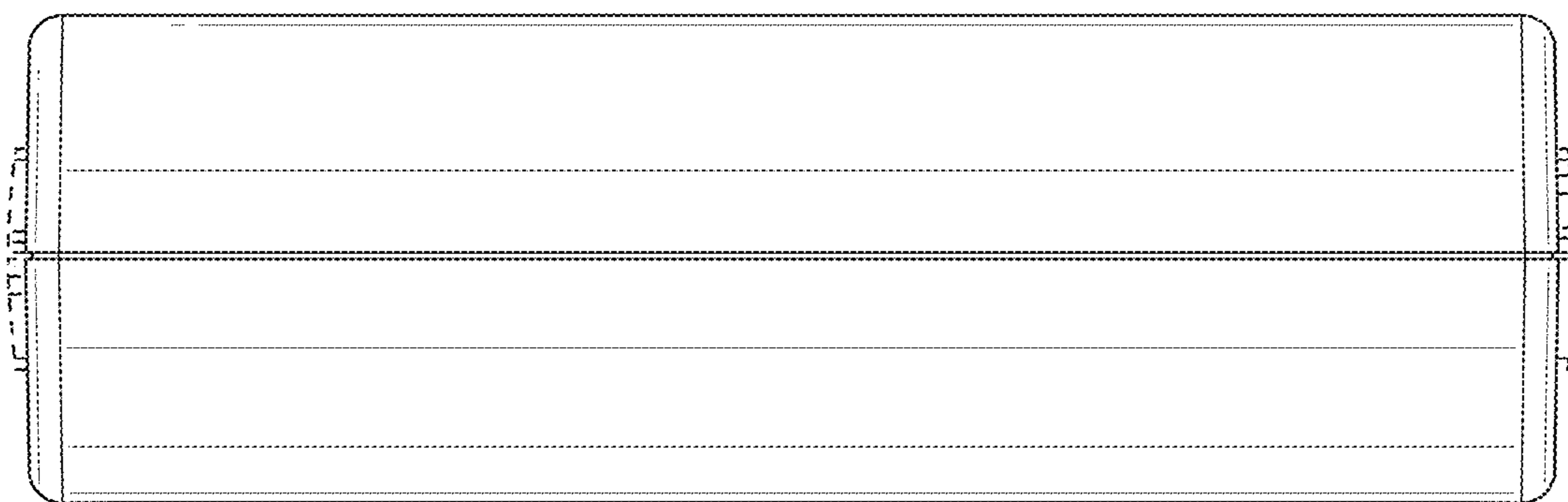


FIG. 4

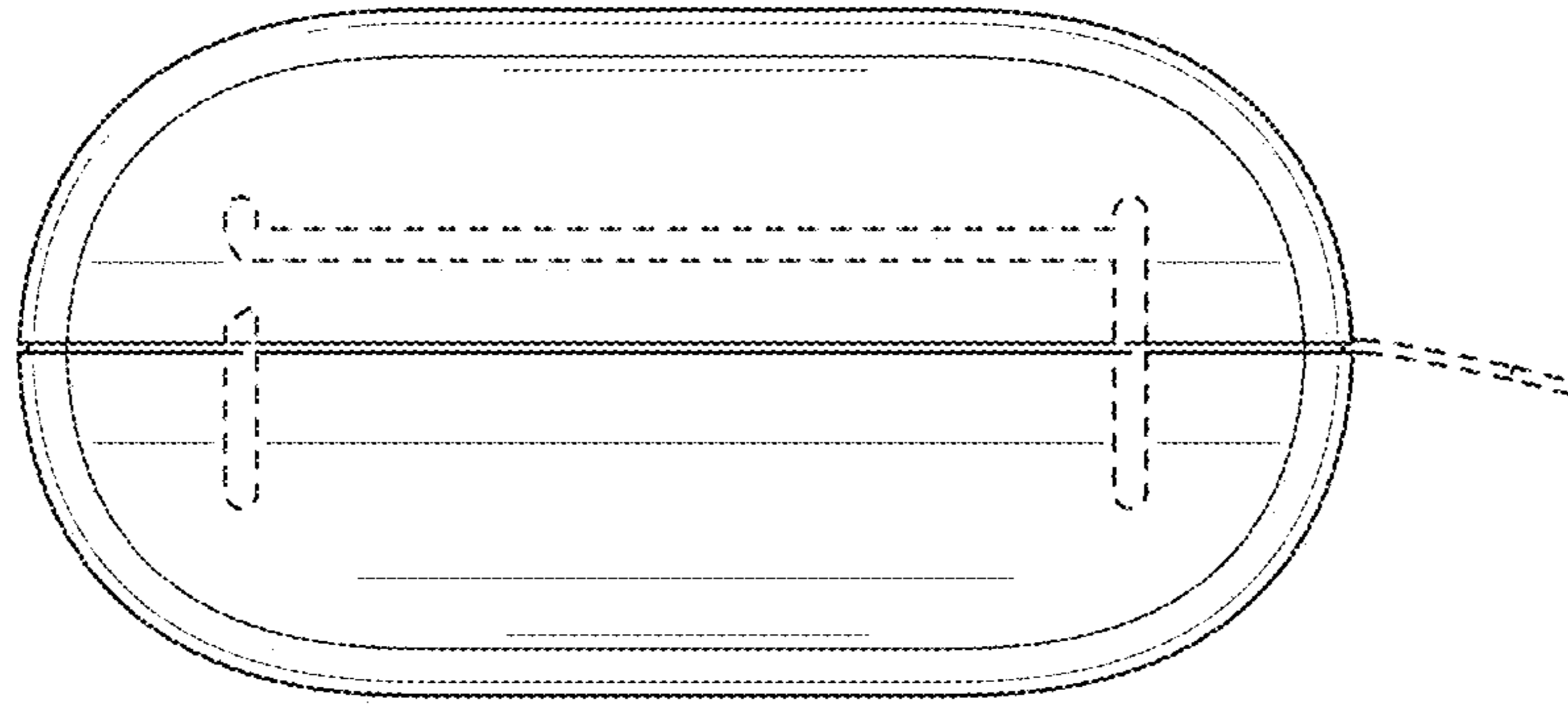


FIG. 5

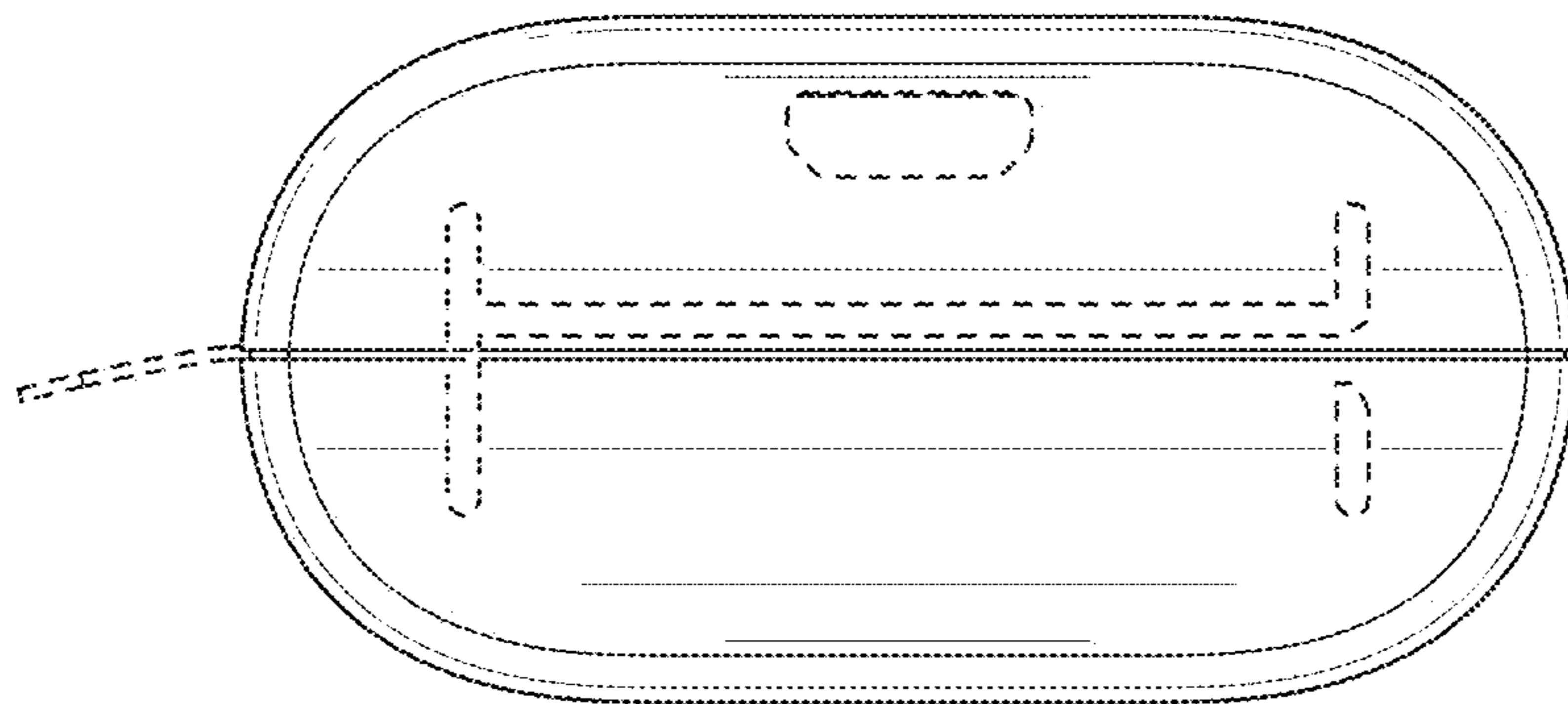


FIG. 6

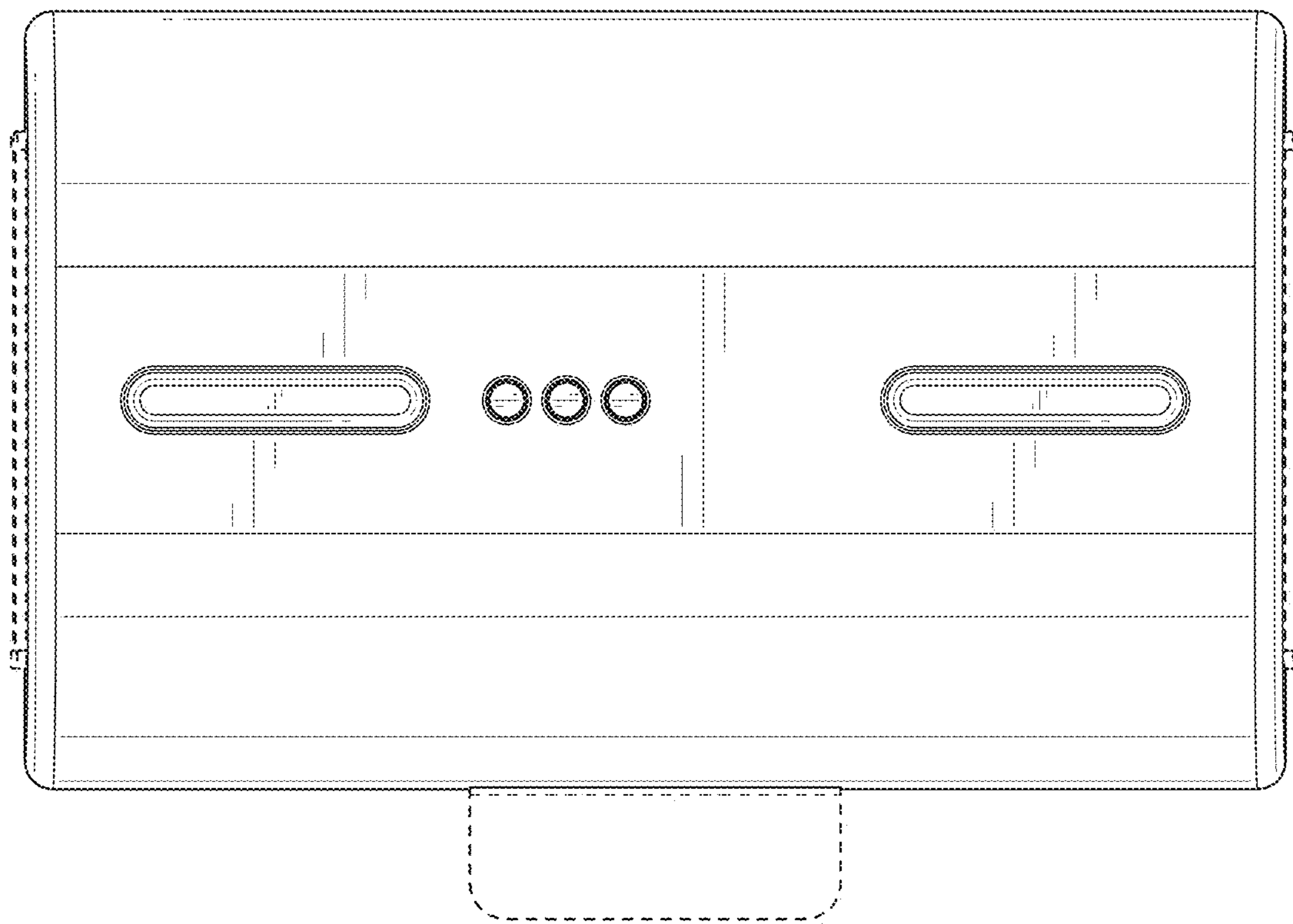


FIG. 7

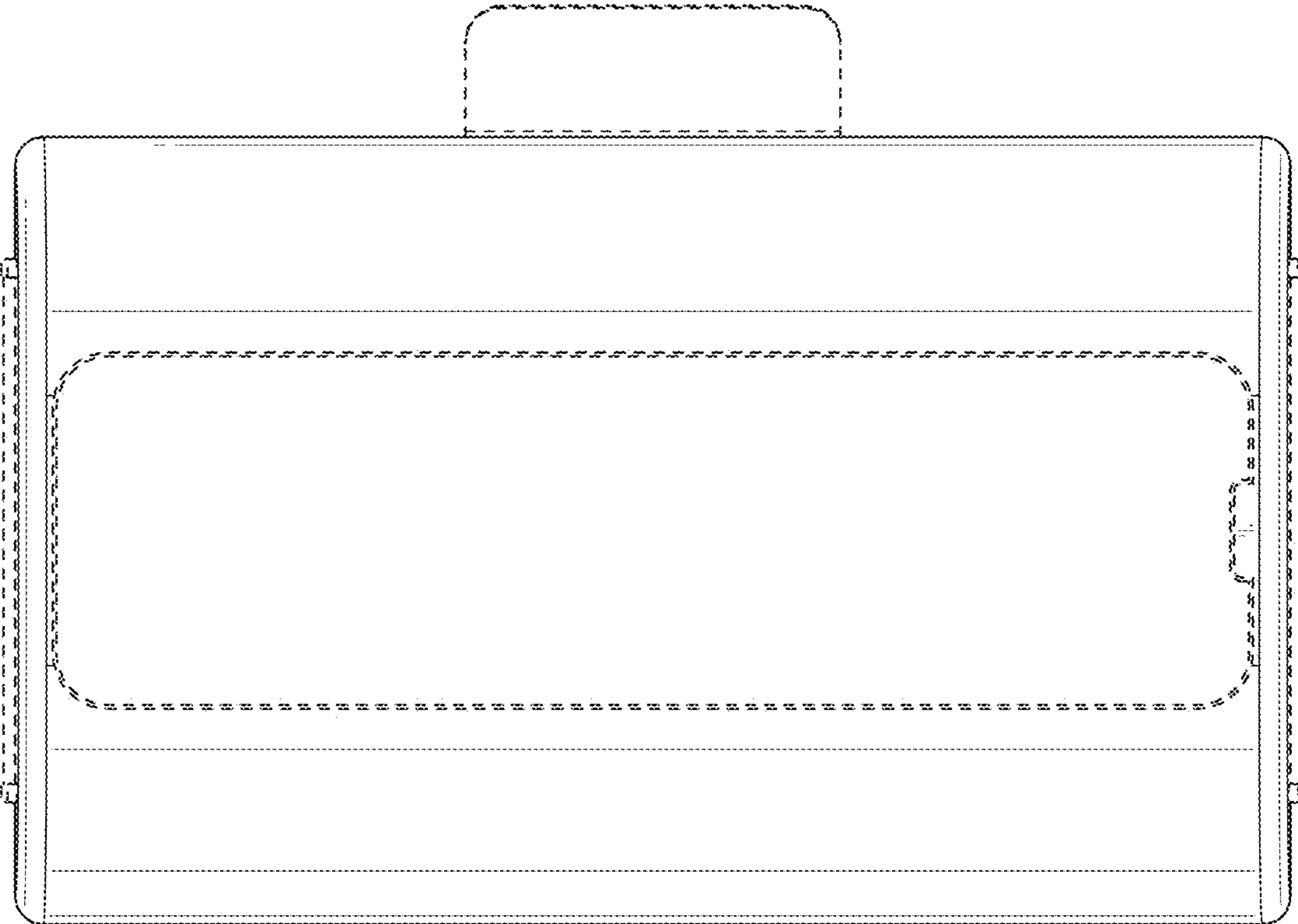


FIG. 8