



US00D939424S

(12) **United States Design Patent**
Fang

(10) **Patent No.:** **US D939,424 S**

(45) **Date of Patent:** **** Dec. 28, 2021**

- (54) **BICYCLE BAG**
- (71) Applicant: **Dongguan Meiluodi Electronic Co., Ltd.**, Guangdong (CN)
- (72) Inventor: **Songke Fang**, Guangdong (CN)
- (73) Assignee: **Dongguan Meiluodi Electronic Co., Ltd.**, Guangdong (CN)
- (**) Term: **15 Years**
- (21) Appl. No.: **29/750,703**
- (22) Filed: **Sep. 16, 2020**
- (51) **LOC (13) Cl.** **12-11**
- (52) **U.S. Cl.**
USPC **D12/407**
- (58) **Field of Classification Search**
USPC D12/407, 409, 410, 114, 111, 110;
D3/231, 273
CPC B62J 9/00; B62J 9/001; B62J 9/20; B62J 9/23; B62J 9/26; B62J 7/00; B62J 7/04; B62J 11/00
See application file for complete search history.

D347,819 S *	6/1994	Katz	D12/410
D366,446 S *	1/1996	Berman	D12/409
D366,447 S *	1/1996	Berman	D12/409
D367,034 S *	2/1996	Berman	D12/409
D499,989 S *	12/2004	Snyder	D12/114
D506,968 S *	7/2005	Berardino	D12/410
D507,231 S *	7/2005	Tuesch	D12/409
D511,737 S *	11/2005	Tuech	D12/409
D544,411 S *	6/2007	Spiva	D12/114
D618,612 S *	6/2010	Asao	D12/409
D696,180 S *	12/2013	Boyd	D12/410
D760,148 S *	6/2016	Zwetzig	D12/409
D764,411 S *	8/2016	Sondors	D13/119
9,840,295 B1 *	12/2017	Chuang	B62J 9/26
D806,611 S *	1/2018	Alamdar	D12/114
D812,524 S *	3/2018	Alamdar	D12/114
D830,056 S *	10/2018	Cunningham	D3/231

* cited by examiner

Primary Examiner — Michelle E. Wilson

Assistant Examiner — Clese Moore, Jr.

(74) *Attorney, Agent, or Firm* — Cooper Legal Group, LLC

(57) **CLAIM**

The ornamental design for a bicycle bag, as shown and described.

DESCRIPTION

FIG. 1 is a front view of a bicycle bag, showing my new design;

FIG. 2 is a top plan view thereof;

FIG. 3 is a bottom plan view thereof;

FIG. 4 is a rear plan view thereof;

FIG. 5 is a left plan view thereof;

FIG. 6 is a right plan view thereof; and,

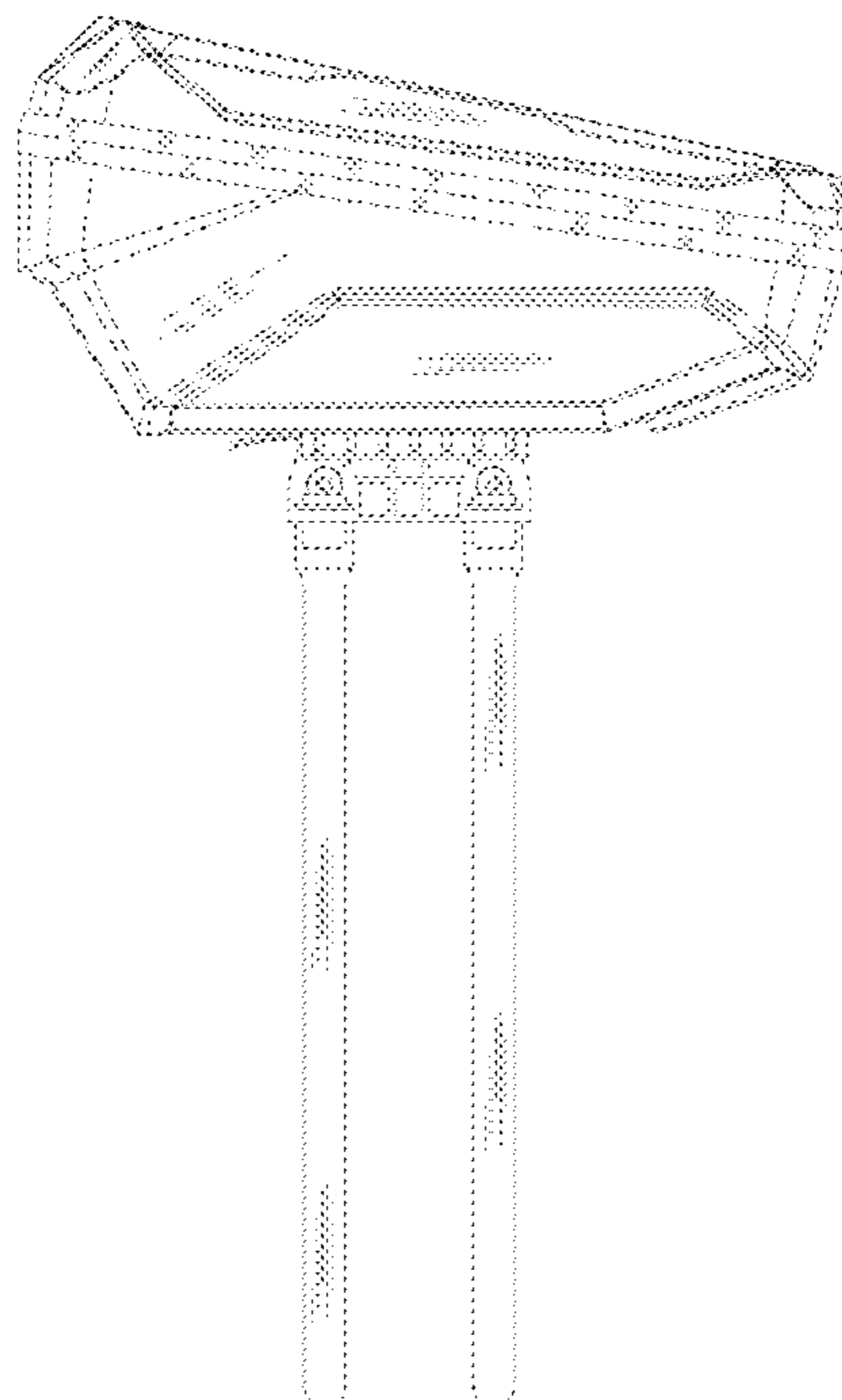
FIG. 7 is a perspective view thereof.

1 Claim, 7 Drawing Sheets

(56) **References Cited**

U.S. PATENT DOCUMENTS

D243,943 S *	4/1977	Harris	D12/409
D262,103 S *	12/1981	Beaubien	D12/410
D271,758 S *	12/1983	Ervin	D12/410
D317,409 S *	6/1991	Chiarella	D3/294
D322,591 S *	12/1991	Van Vlandren	D12/410
D336,740 S *	6/1993	Graf	D12/409
D340,218 S *	10/1993	Delage	D12/410
D346,144 S *	4/1994	Katz	D12/409
D346,572 S *	5/1994	Honey	D12/410



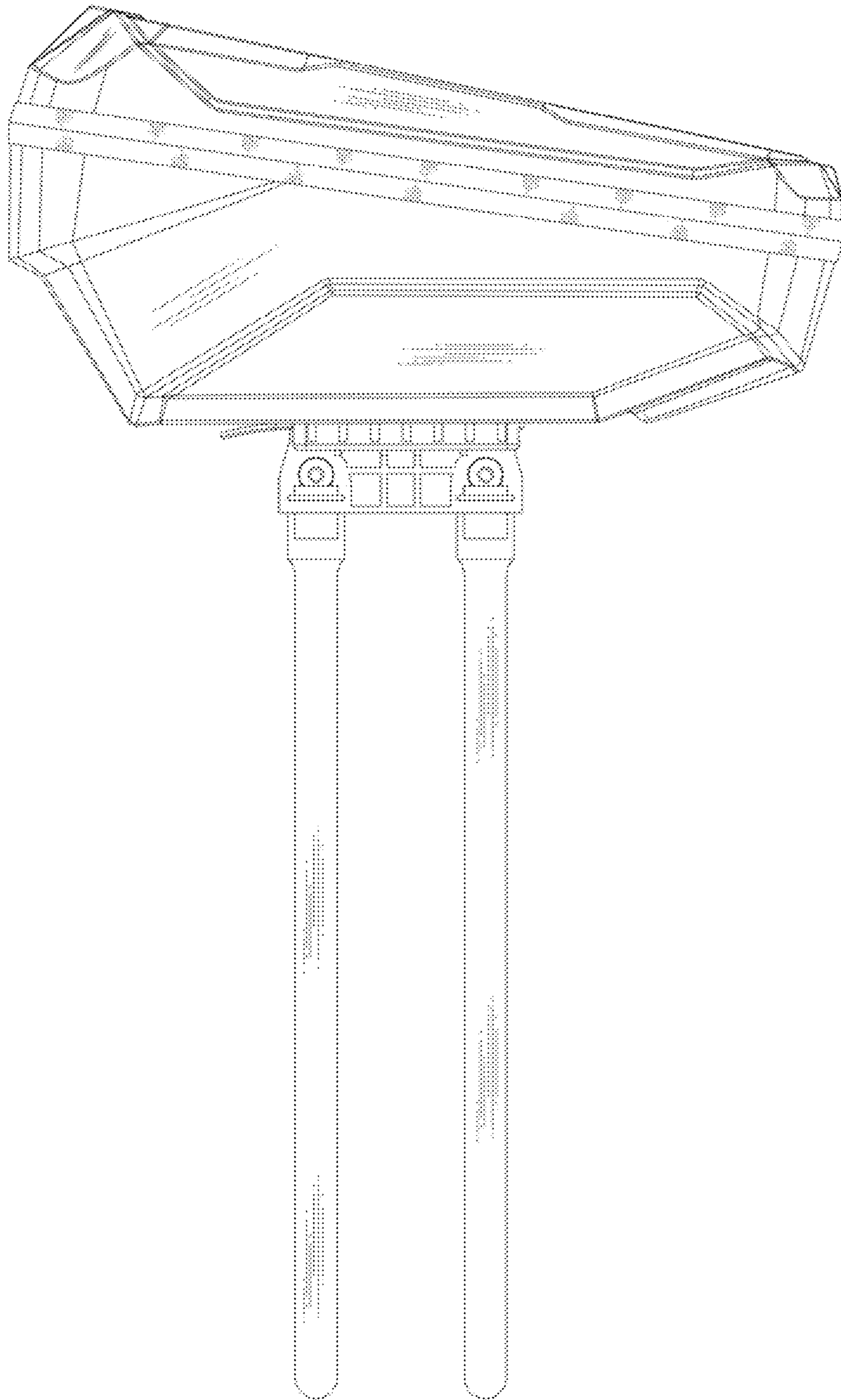


FIG.1

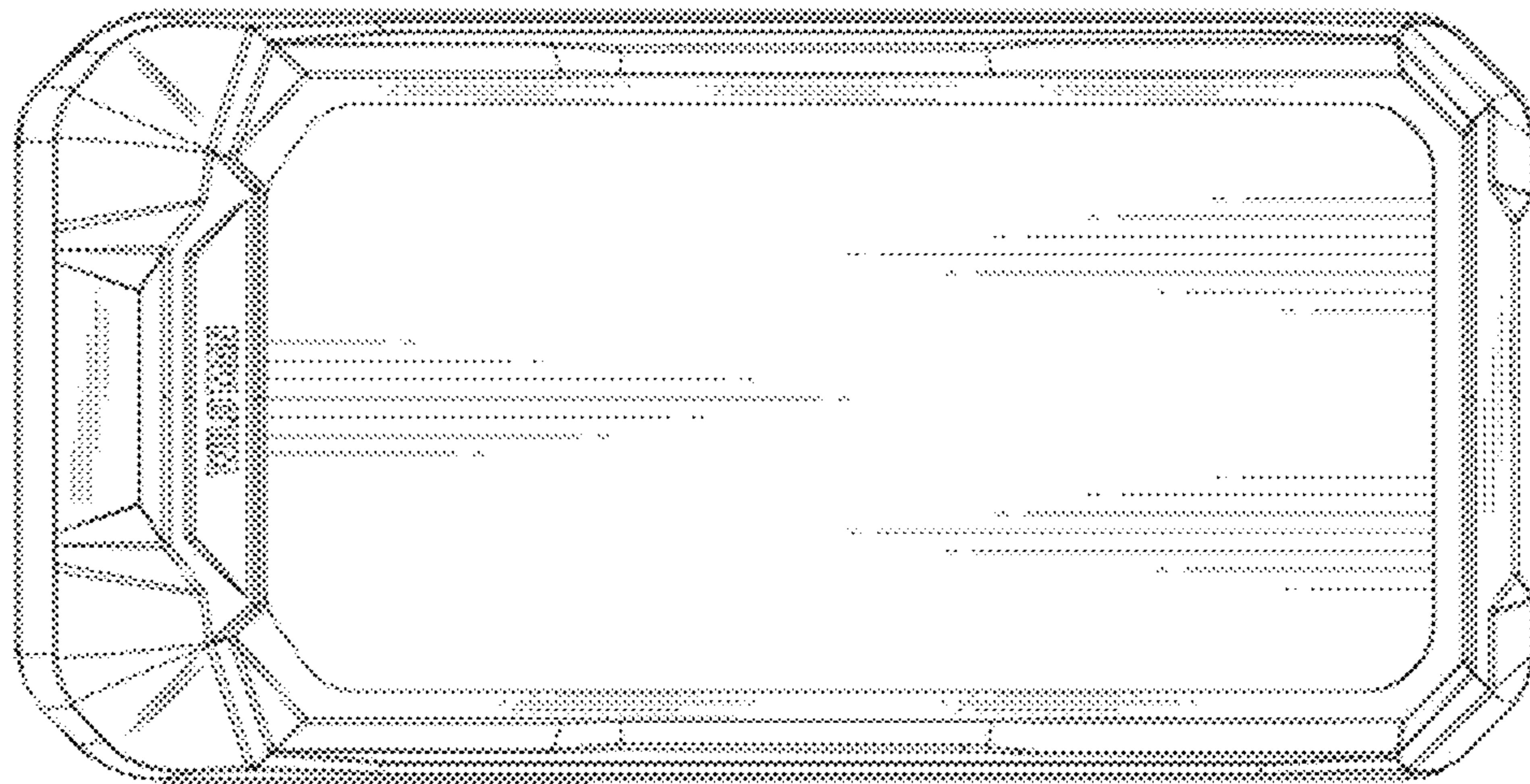


FIG.2

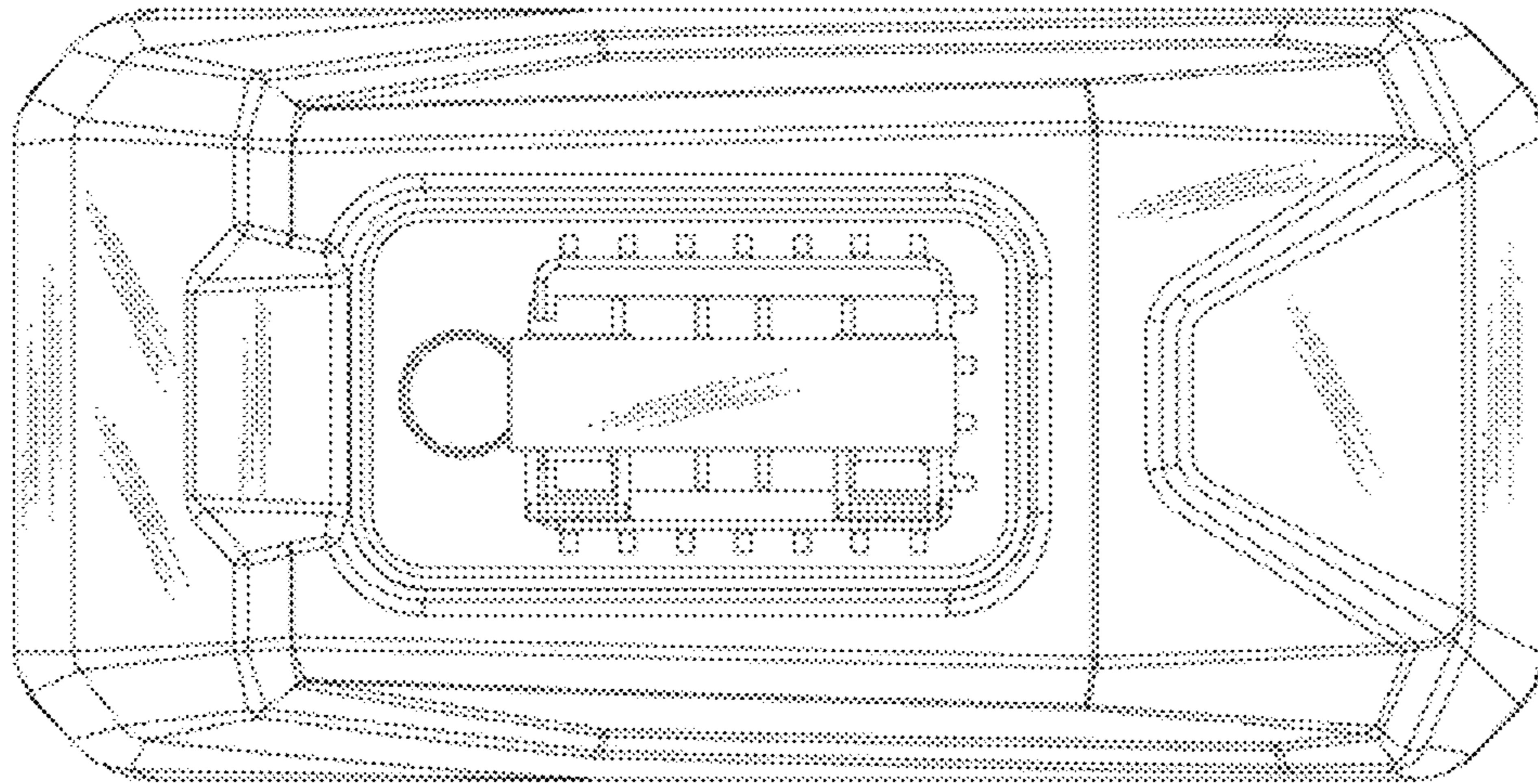


FIG.3

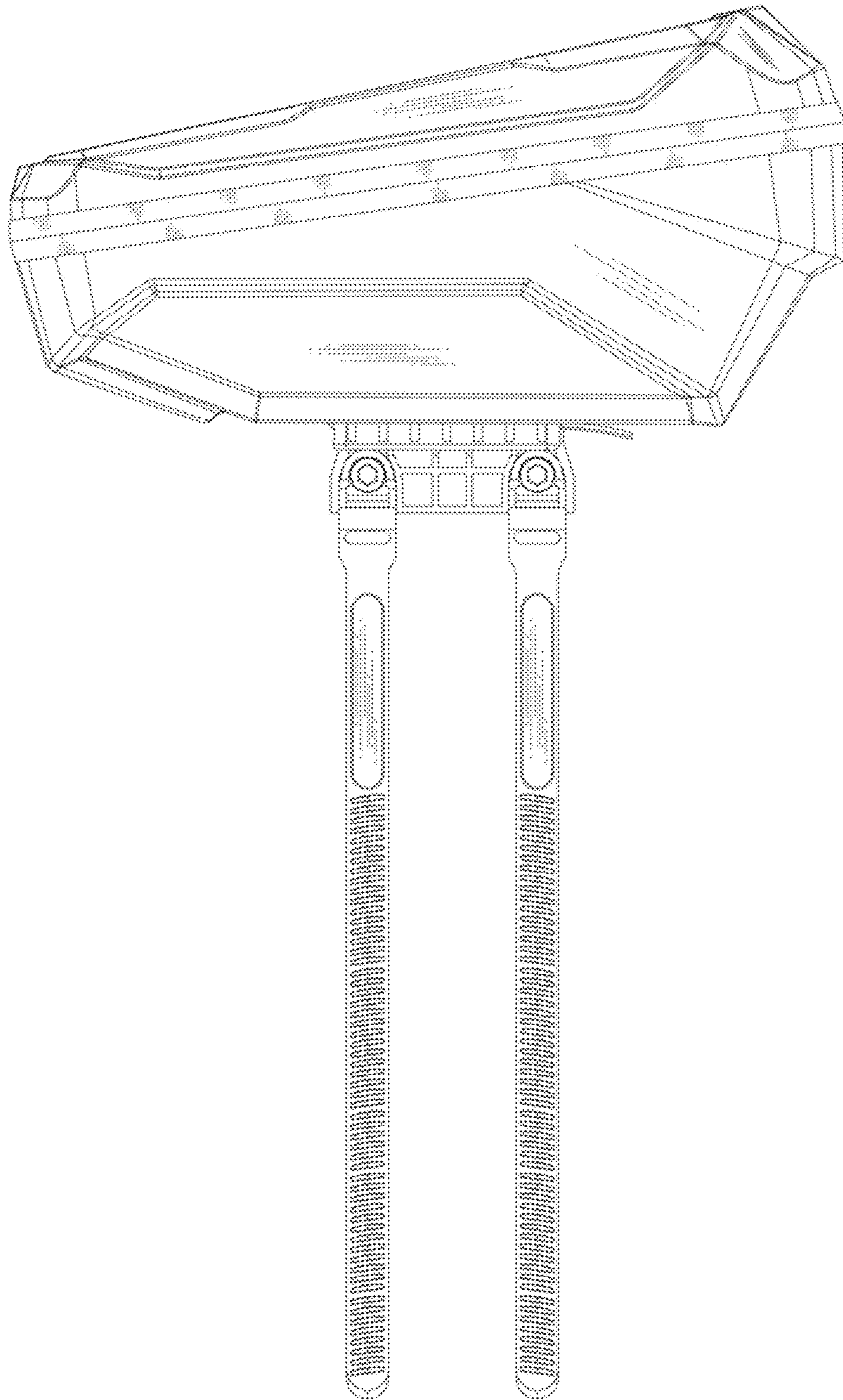


FIG.4

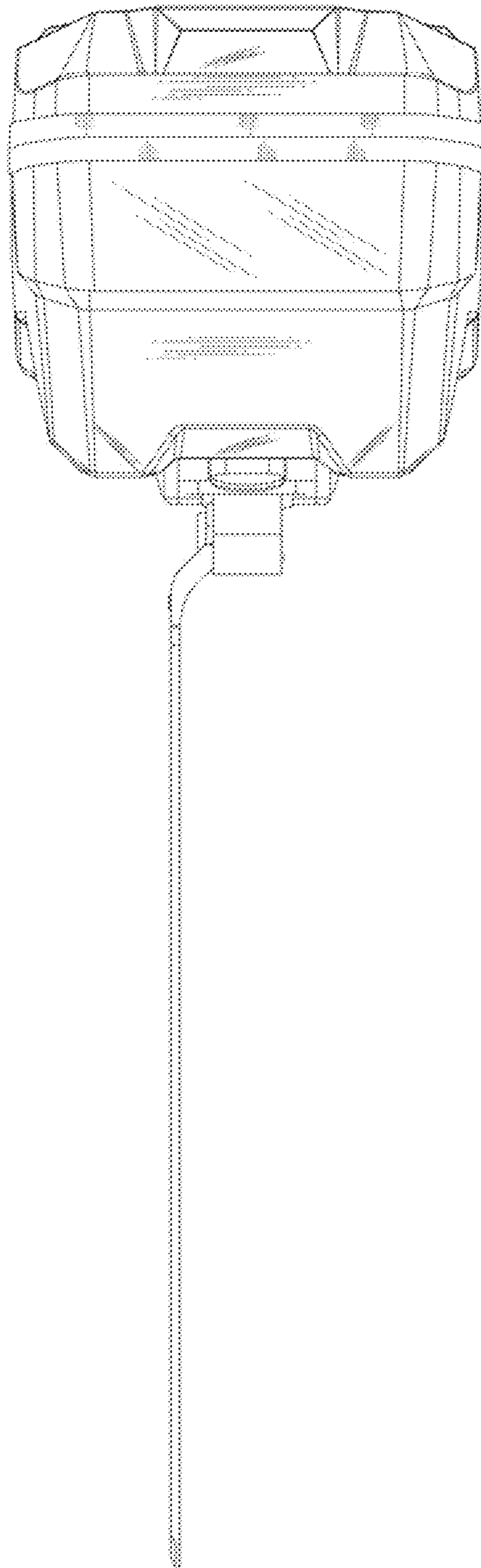


FIG.5

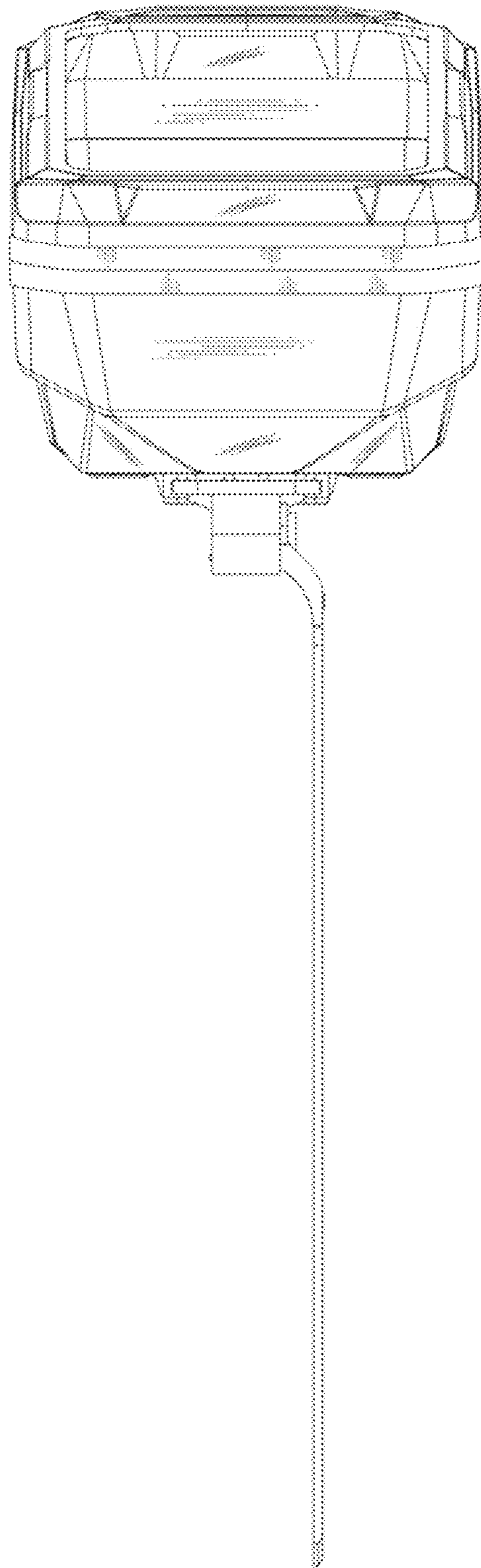


FIG.6

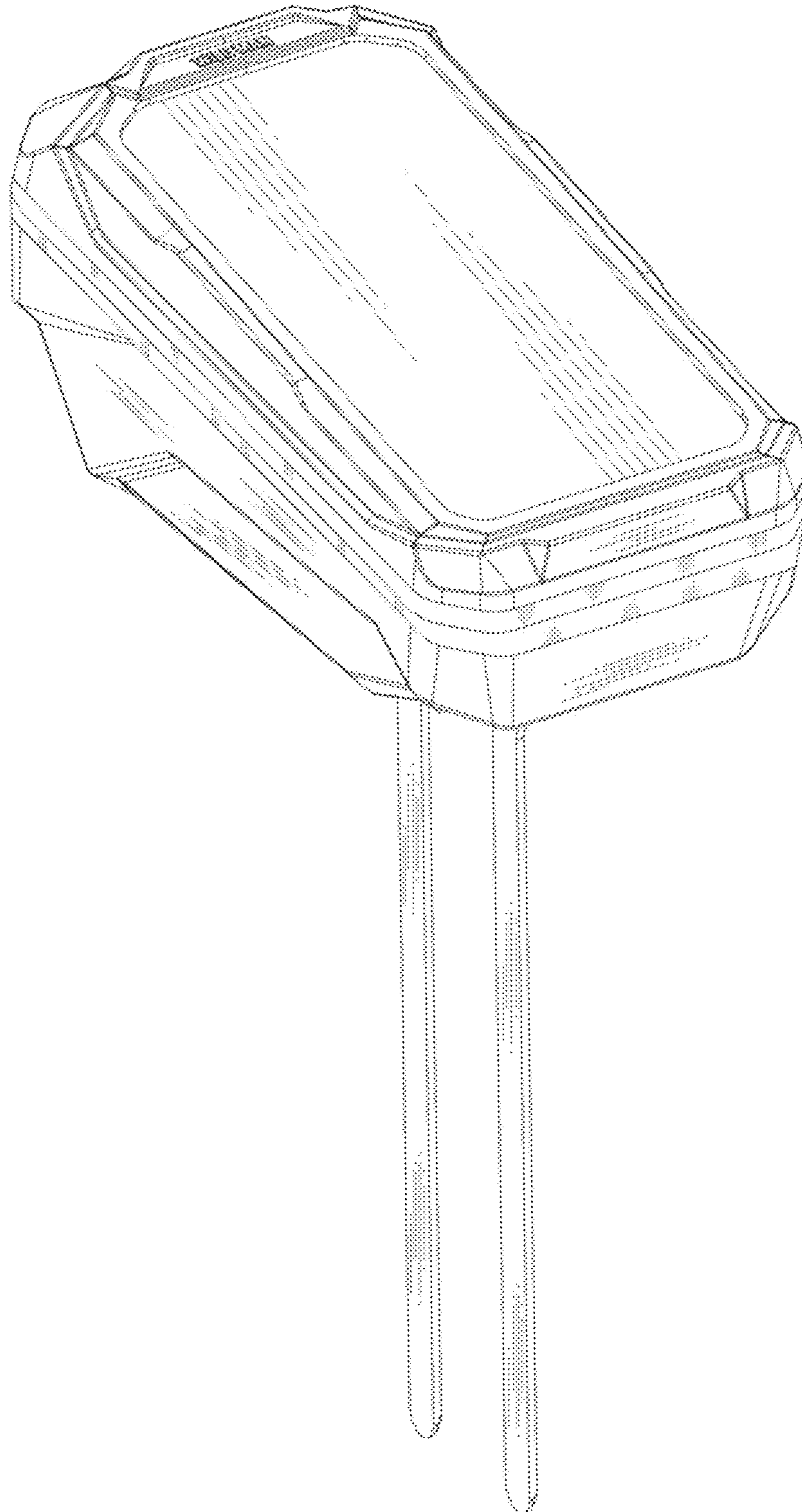


FIG.7