



US00D939422S

(12) **United States Design Patent** (10) **Patent No.:** **US D939,422 S**
Li (45) **Date of Patent:** **** Dec. 28, 2021**

(54) **FOLDABLE PEDAL DRIVE FOR KAYAK**

(71) Applicant: **Zhengyun Li**, Chongqing (CN)

(72) Inventor: **Zhengyun Li**, Chongqing (CN)

(73) Assignee: **Cixi Luosaifei Kayak Co., Ltd.**,
Zhejiang (CN)

(**) Term: **15 Years**

(21) Appl. No.: **29/745,111**

(22) Filed: **Aug. 4, 2020**

(51) **LOC (13) Cl.** **12-16**

(52) **U.S. Cl.**
USPC **D12/214; D12/317**

(58) **Field of Classification Search**
USPC D12/214, 317, 344, 345, 300, 302, 303,
D12/305, 306, 307, 308, 309, 316, 112, 1,
D12/2; D15/4; D21/542
CPC B63H 16/00; B63H 16/12; B63H 16/14;
B63H 16/20; B63B 34/20; B63B 34/00
See application file for complete search history.

(56) **References Cited**

U.S. PATENT DOCUMENTS

1,793,973	A *	2/1931	Stamegna	B63H 16/14 114/283
D259,488	S *	6/1981	Carter	D15/4
4,813,367	A *	3/1989	Stevenson	A63B 35/12 114/315
D505,104	S *	5/2005	Osumi	D12/308
D519,911	S *	5/2006	Mah	D12/317
D670,228	S *	11/2012	Gilk	D12/214
8,753,156	B2 *	6/2014	Ketterman	B63H 25/42 440/26
D742,802	S *	11/2015	Lukyanov	D12/306
9,623,944	B2 *	4/2017	Kuehmicel	B63B 34/20
9,758,220	B1 *	9/2017	Zimmerman	B63H 21/17
D820,764	S *	6/2018	Suzuki	D12/214

10,220,924	B1 *	3/2019	Horvath	B63H 16/20
D869,368	S *	12/2019	Li	D12/214
2003/0013355	A1 *	1/2003	Free	B63H 16/14 440/30
2007/0178801	A1 *	8/2007	Matias	A63H 23/10 446/157
2008/0188146	A1 *	8/2008	Howard	B63H 16/20 440/30
2008/0200079	A1 *	8/2008	Jansen	B63H 16/14 440/1
2008/0233813	A1 *	9/2008	Ho	B63H 16/14 440/29
2009/0042461	A1 *	2/2009	Walton	B63B 34/20 440/6
2010/0075550	A1 *	3/2010	Bortsov	B63B 34/00 440/26
2016/0075420	A1 *	3/2016	Kiffmeyer	B63H 16/20 440/27

(Continued)

Primary Examiner — Michelle E. Wilson
Assistant Examiner — Clese Moore, Jr.

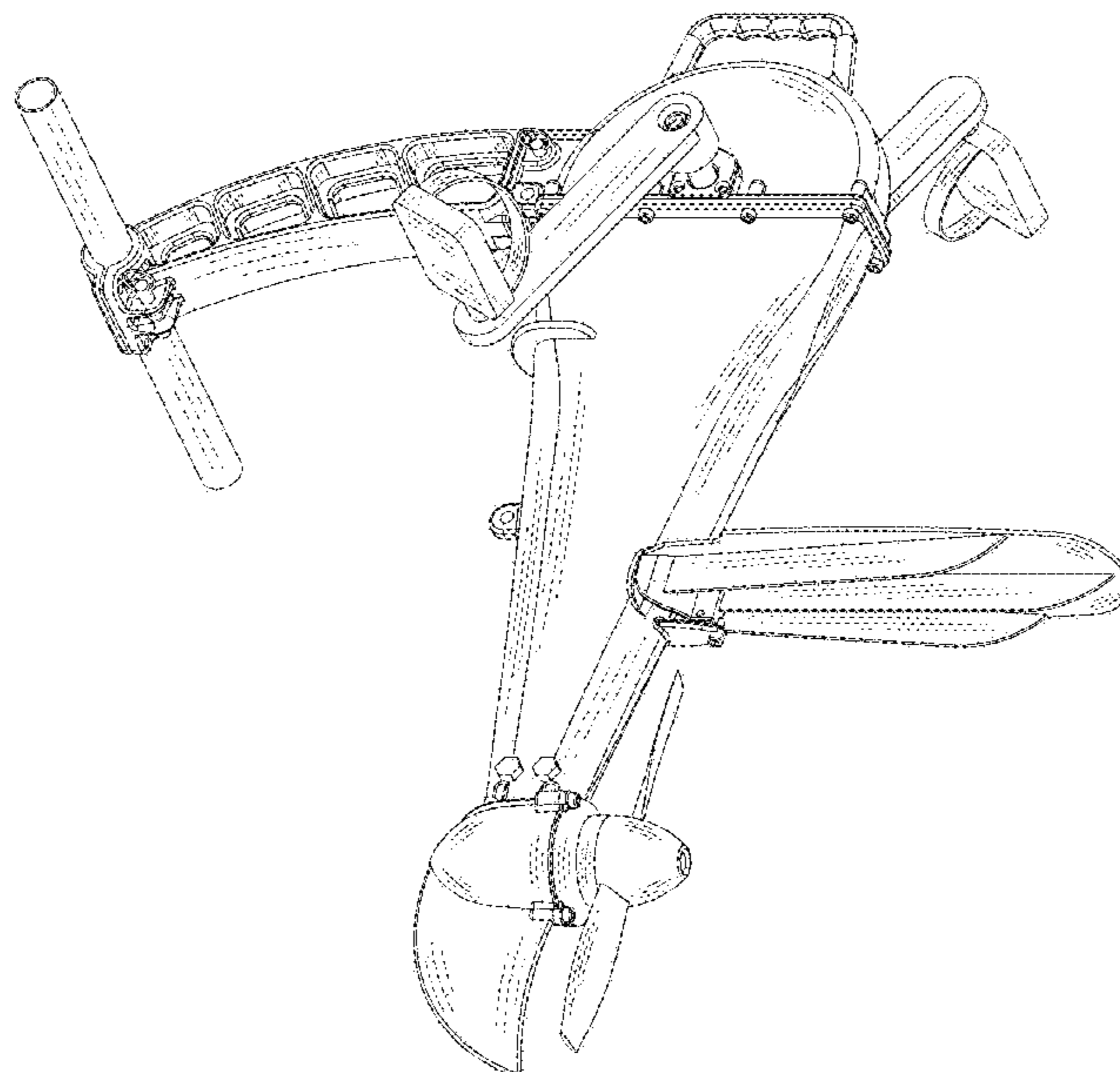
(57) **CLAIM**

The ornamental design for a foldable pedal drive for kayak, as shown and described.

DESCRIPTION

FIG. 1 is a perspective view of a foldable pedal drive for kayak showing my new design;
FIG. 2 is a front elevation view thereof;
FIG. 3 is a rear elevation view thereof;
FIG. 4 is a left side elevation view thereof;
FIG. 5 is a right side elevation view thereof;
FIG. 6 is a top plan view thereof;
FIG. 7 is a bottom plan view thereof;
FIG. 8 is a perspective view thereof, shown in folded state; and,
FIG. 9 is a left side elevation view thereof, shown in folded state.

1 Claim, 9 Drawing Sheets



(56)

References Cited

U.S. PATENT DOCUMENTS

2018/0009515 A1* 1/2018 Murphy B63B 34/20
2019/0263494 A1* 8/2019 Pelland B63H 16/20

* cited by examiner

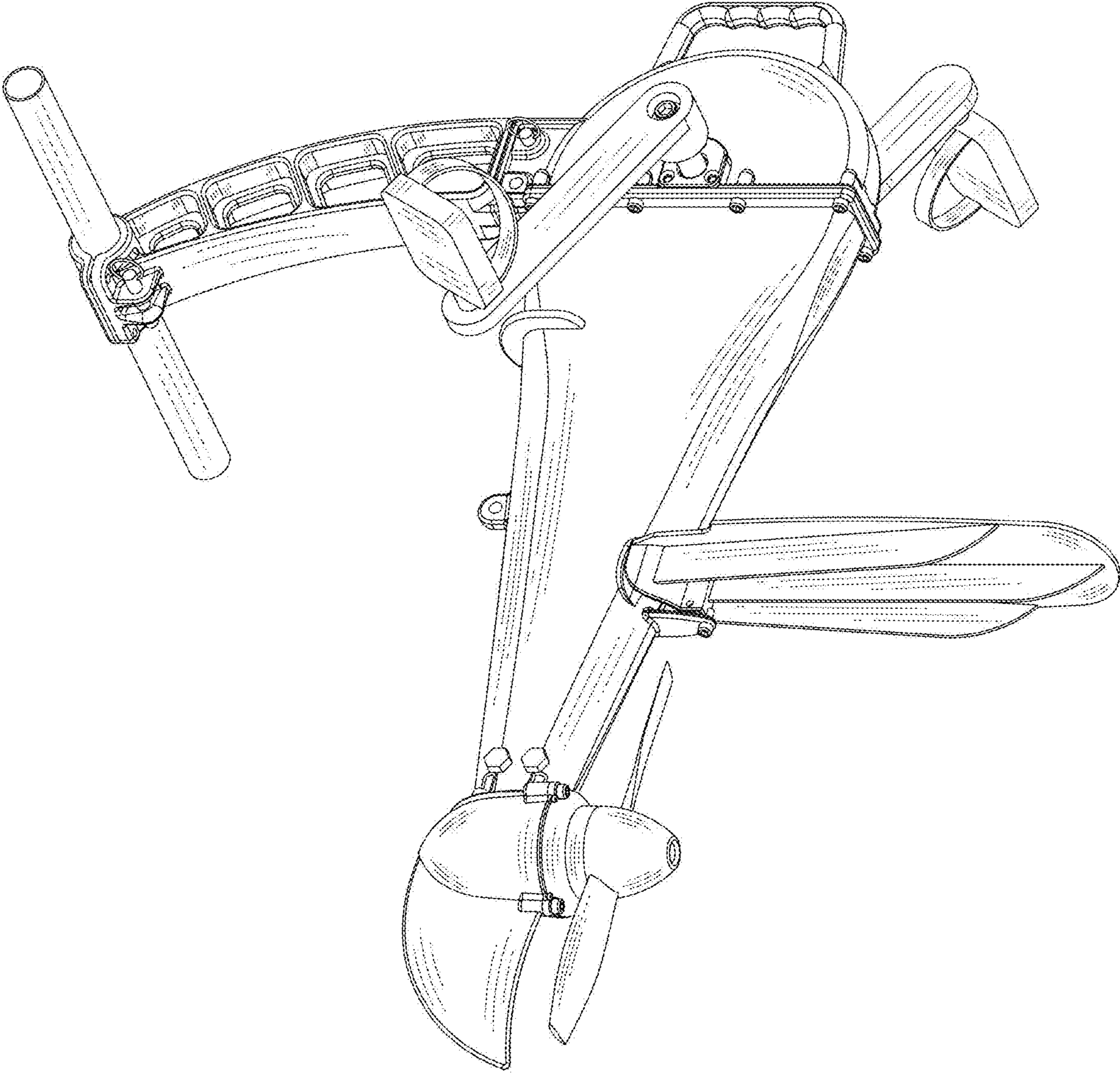


FIG.1

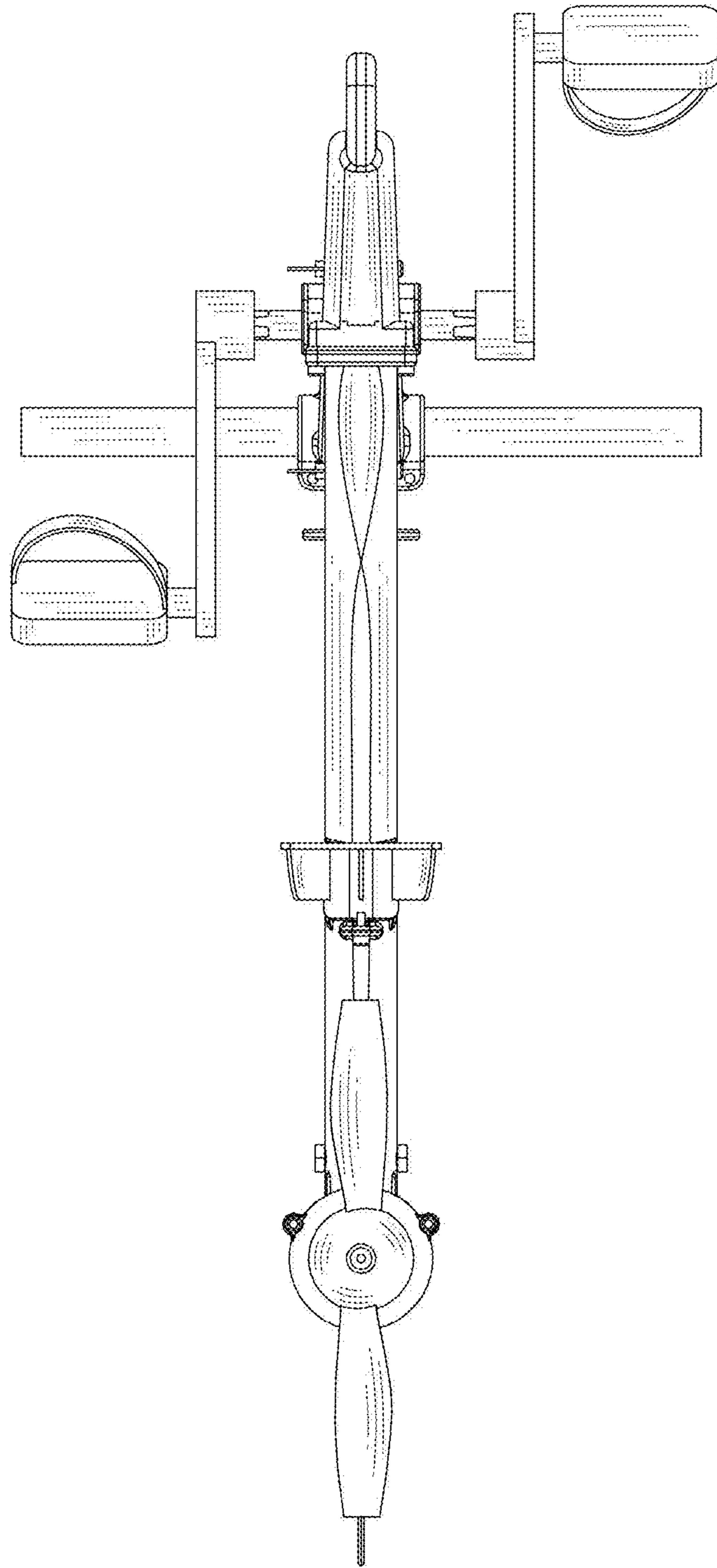


FIG. 2

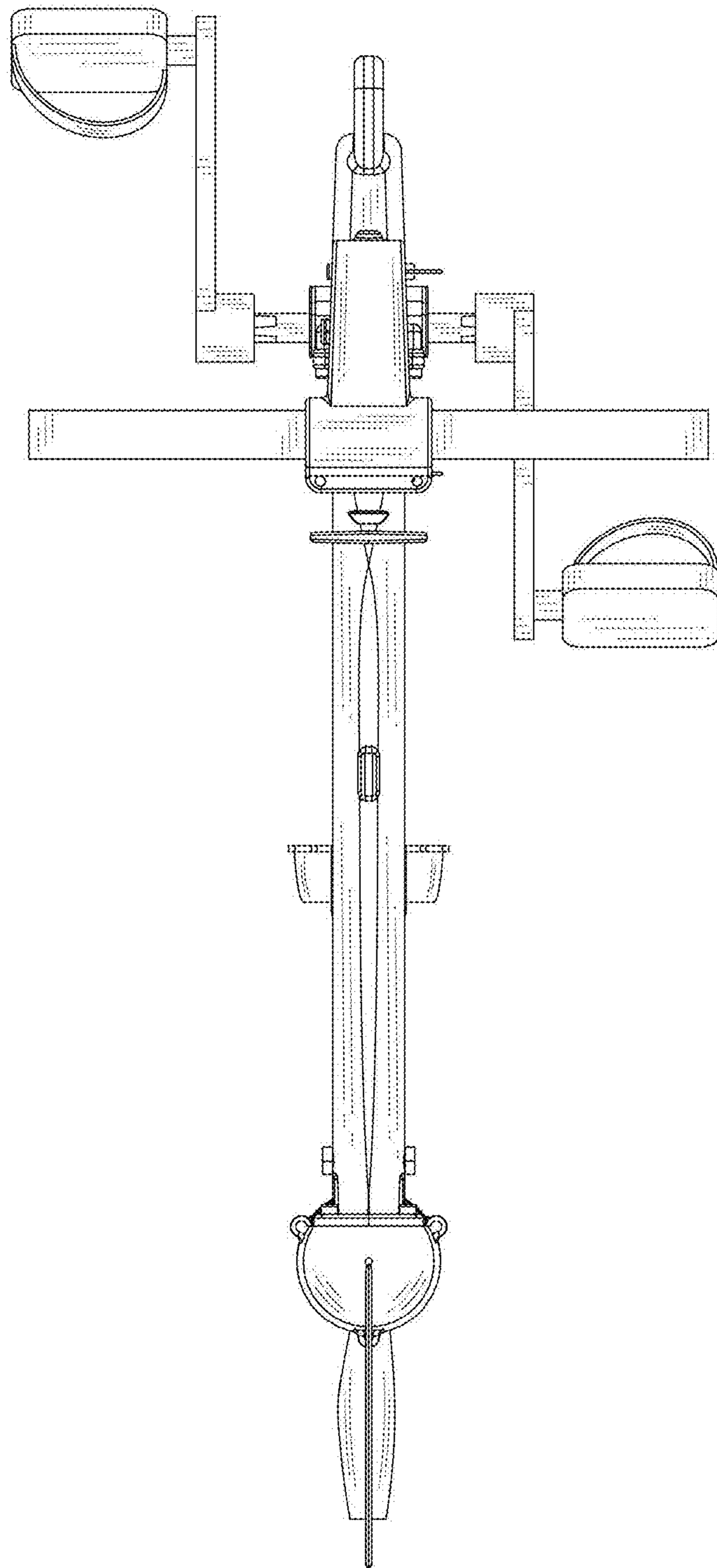


FIG.3

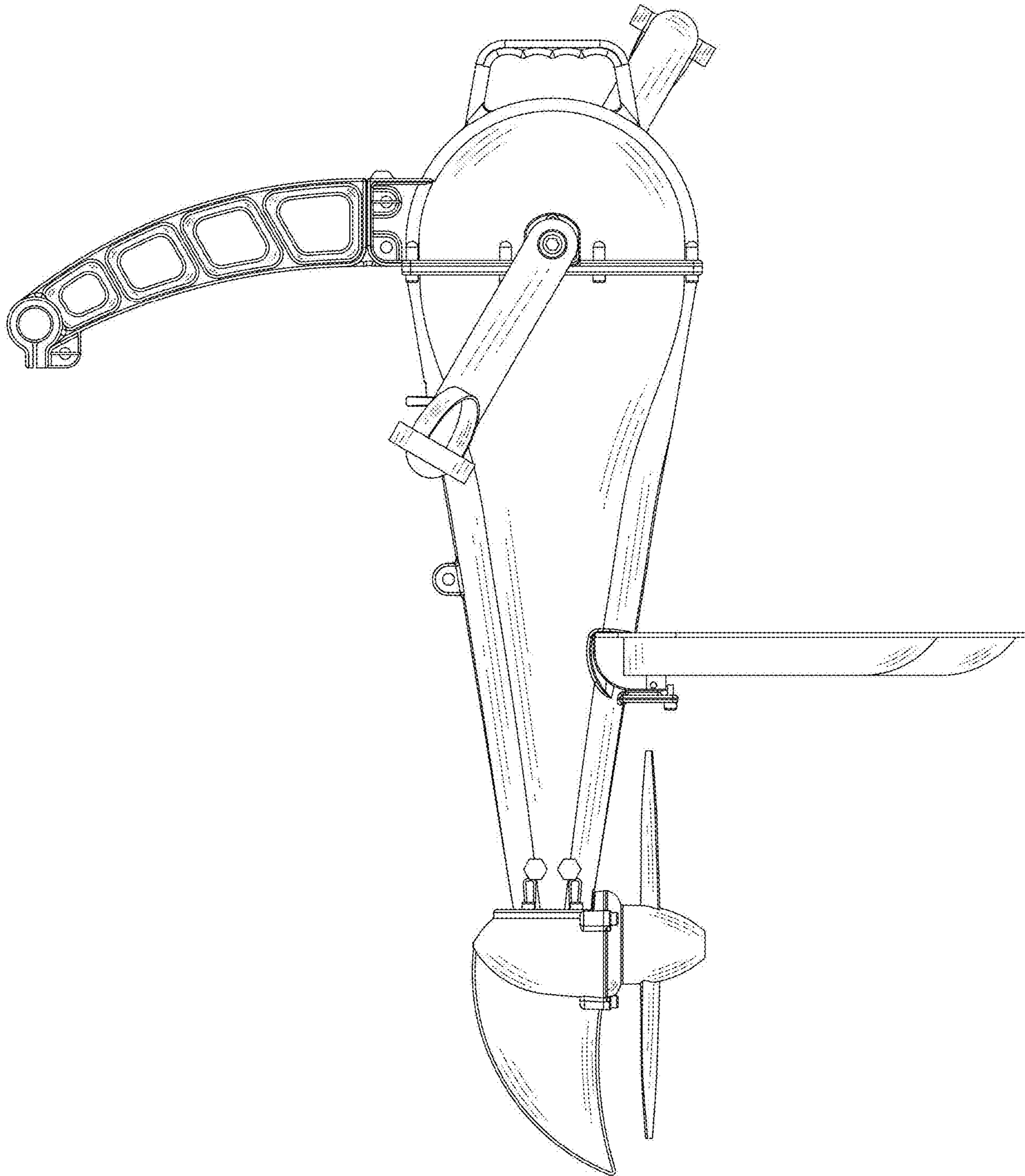


FIG.4

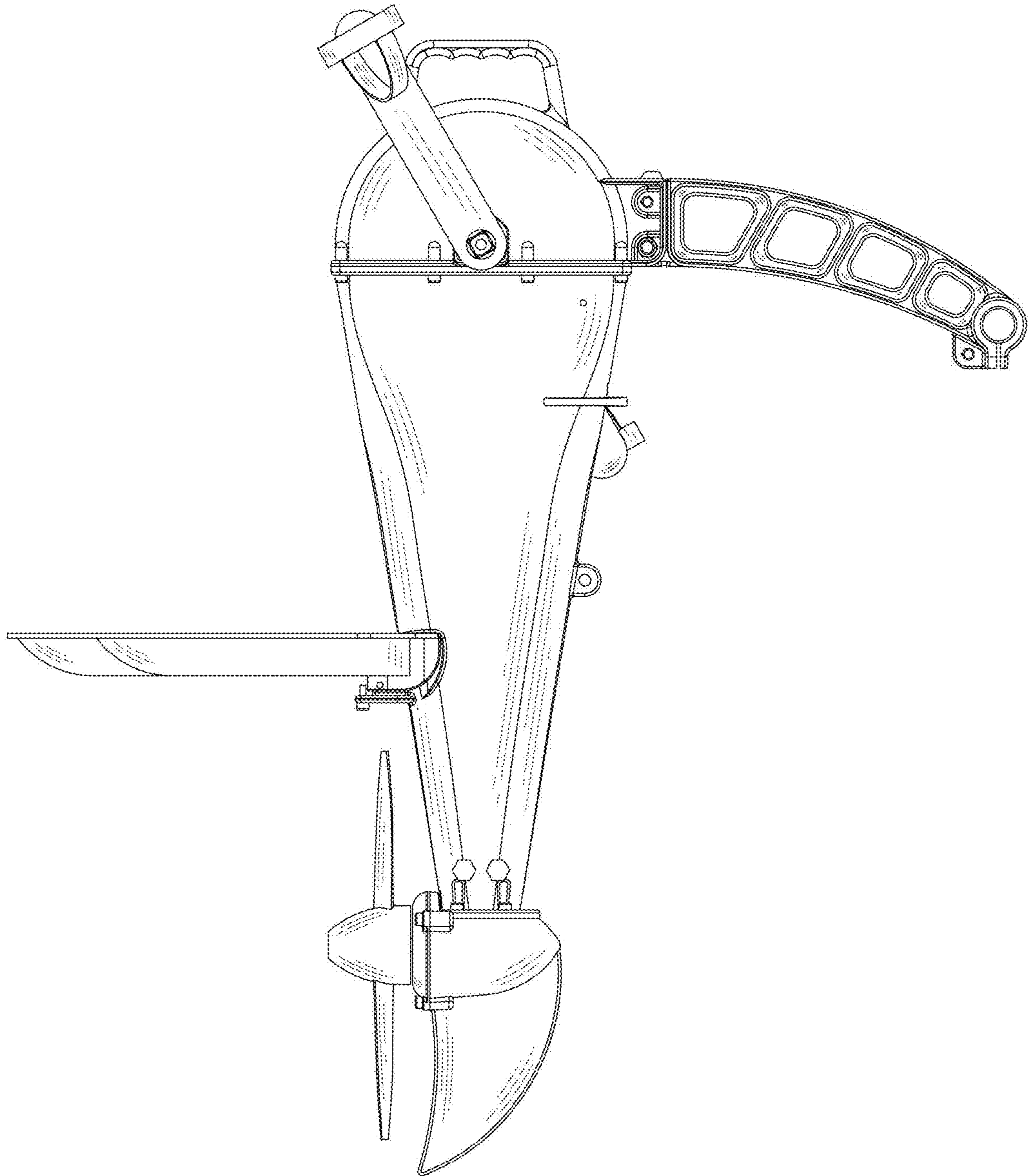


FIG.5

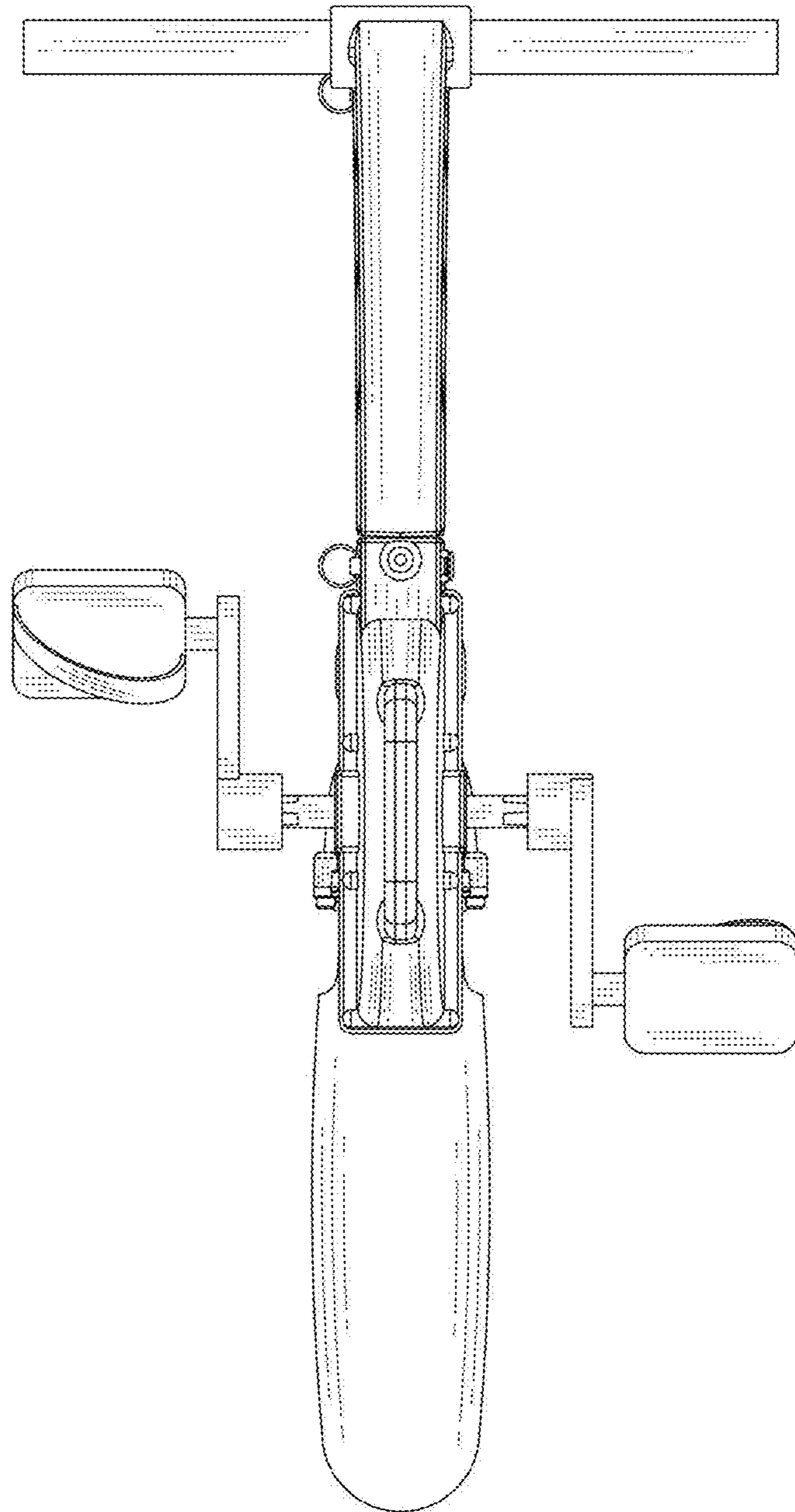


FIG.6

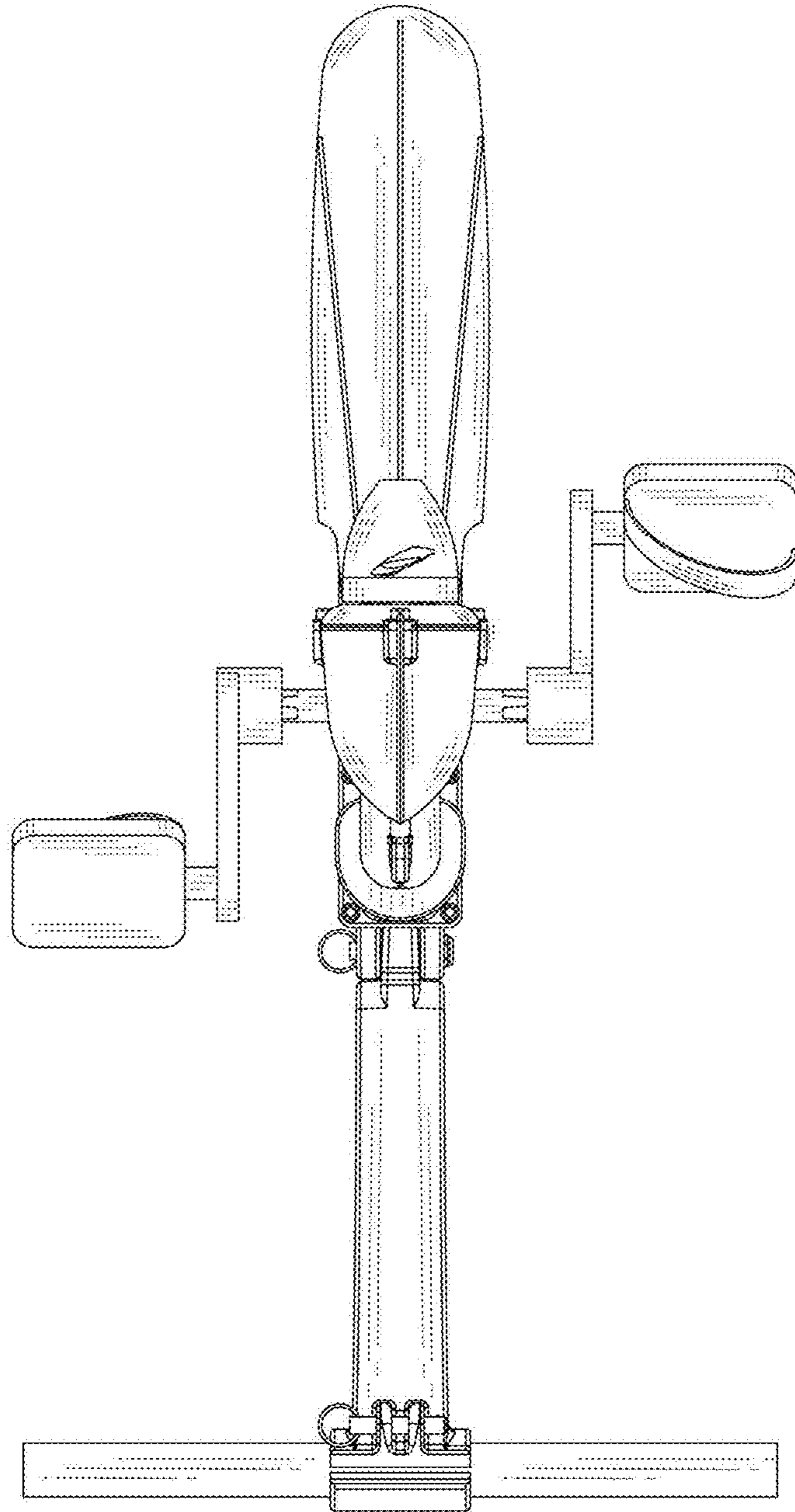


FIG. 7

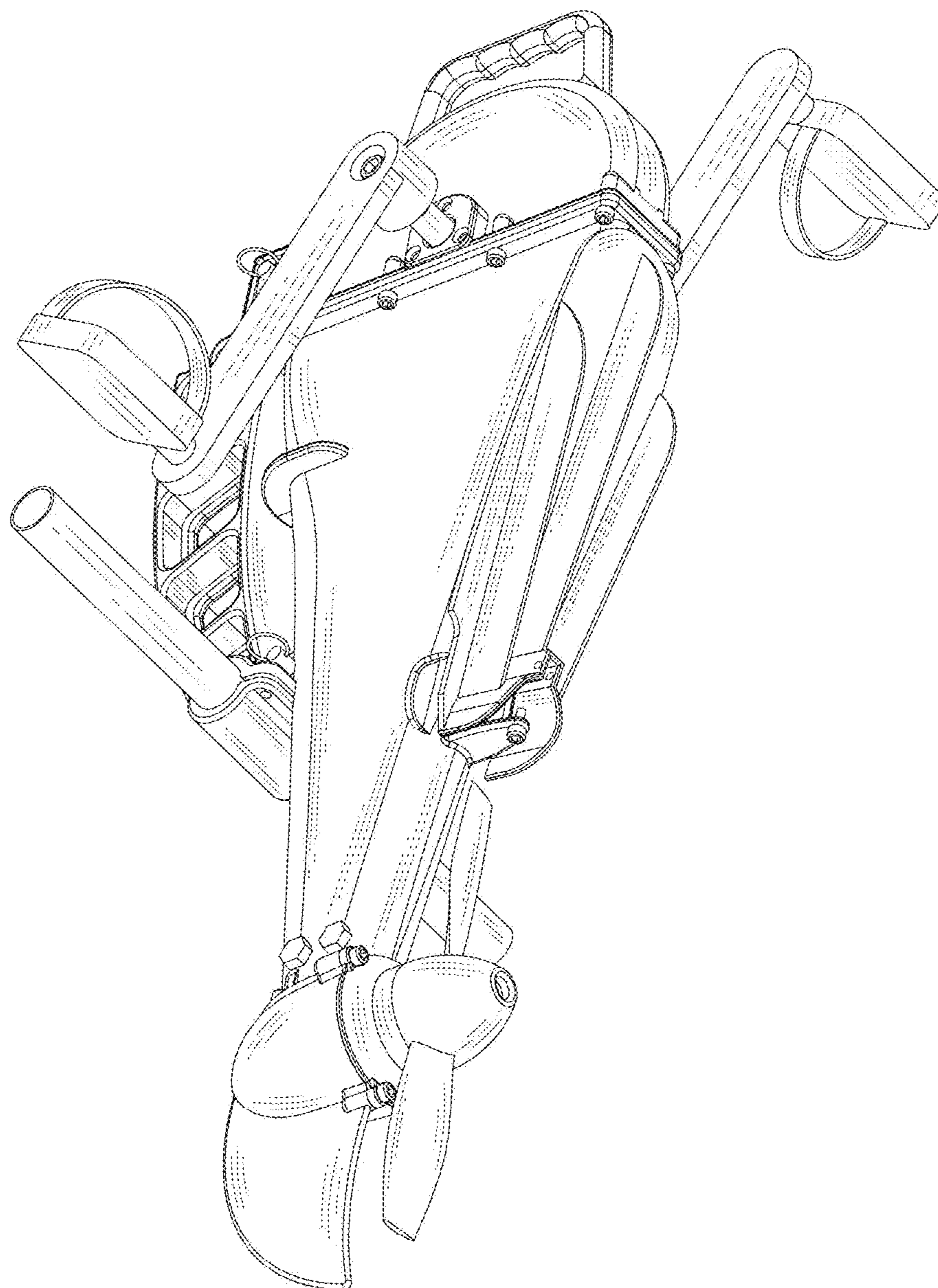


FIG. 8

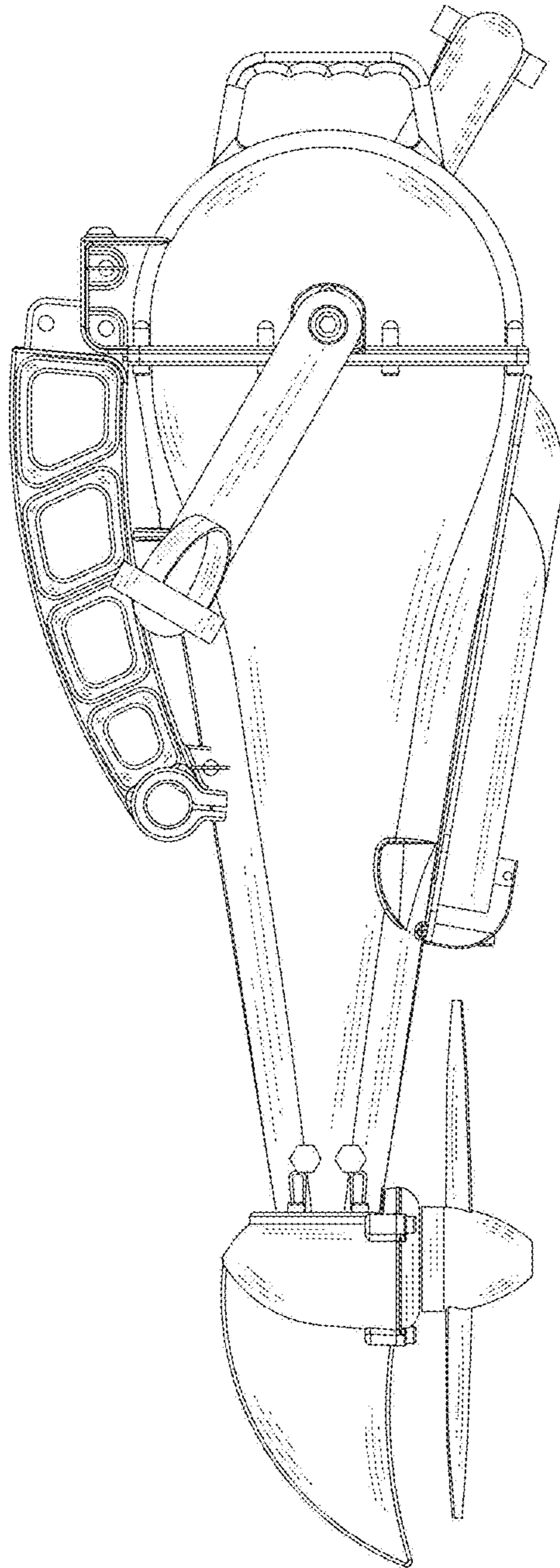


FIG. 9