



US00D939420S

(12) **United States Design Patent** (10) **Patent No.:** **US D939,420 S**  
**Patel** (45) **Date of Patent:** **\*\* Dec. 28, 2021**

(54) **VEHICLE WHEEL**  
(71) Applicant: **JAGUAR LAND ROVER LIMITED**,  
Coventry (GB)  
(72) Inventor: **Paven Patel**, Coventry (GB)  
(73) Assignee: **JAGUAR LAND ROVER LIMITED**,  
Coventry (GB)  
(\*\*) Term: **15 Years**  
(21) Appl. No.: **29/745,317**  
(22) Filed: **Aug. 5, 2020**  
(30) **Foreign Application Priority Data**

Feb. 6, 2020 (EM) ..... 007667720-0002

(51) **LOC (13) Cl.** ..... **12-16**  
(52) **U.S. Cl.**  
USPC ..... **D12/209**  
(58) **Field of Classification Search**  
USPC ..... D12/204-213; D21/563  
CPC .... B60B 7/00; B60B 7/02; B60B 7/04; B60B  
7/01; B60B 7/06; B60B 3/02; B60B 3/04;  
B60B 3/06; B60B 3/10; B60B 1/00;  
B60B 1/08; B60B 1/10; B60B 1/12  
See application file for complete search history.

(56) **References Cited**

**U.S. PATENT DOCUMENTS**

D581,852 S \* 12/2008 Scheu ..... D12/211  
D654,842 S \* 2/2012 Blasi ..... D12/209  
D663,248 S \* 7/2012 Kogawa ..... D12/209  
D671,877 S \* 12/2012 Roura ..... D12/209  
D685,710 S \* 7/2013 Hanaoka ..... D12/209  
D695,184 S \* 12/2013 Pollmann ..... D12/209  
D706,194 S \* 6/2014 Hanaoka ..... D12/209

D751,016 S \* 3/2016 Valencia Pollex ..... D12/209  
D768,553 S \* 10/2016 Ishii ..... D12/209  
D781,762 S \* 3/2017 Setter ..... D12/209  
D789,863 S \* 6/2017 Yoneyama ..... D12/209  
D790,426 S \* 6/2017 Valencia Pollex ..... D12/209  
D792,305 S \* 7/2017 Terui ..... D12/209  
D813,781 S \* 3/2018 Valencia Pollex ..... D12/209  
D843,912 S \* 3/2019 Metros ..... D12/209  
D846,477 S \* 4/2019 Bucher ..... D12/209  
D847,066 S \* 4/2019 Bucher ..... D12/209  
D875,017 S \* 2/2020 Valencia Pollex ..... D12/209  
D877,021 S \* 3/2020 Rosello Visa ..... D12/209  
D878,997 S \* 3/2020 Tian ..... D12/209  
D884,575 S \* 5/2020 Rosello Visa ..... D12/209  
D889,350 S \* 7/2020 Wang ..... D12/209  
D896,723 S \* 9/2020 Daniel ..... D12/209  
D904,270 S \* 12/2020 Bjerke ..... D12/209  
D924,115 S \* 7/2021 Setter ..... D12/209  
D924,773 S \* 7/2021 Kalha ..... D12/209

\* cited by examiner

*Primary Examiner* — Stacia A Cadmus

(74) *Attorney, Agent, or Firm* — Reising Ethington P.C.

(57) **CLAIM**

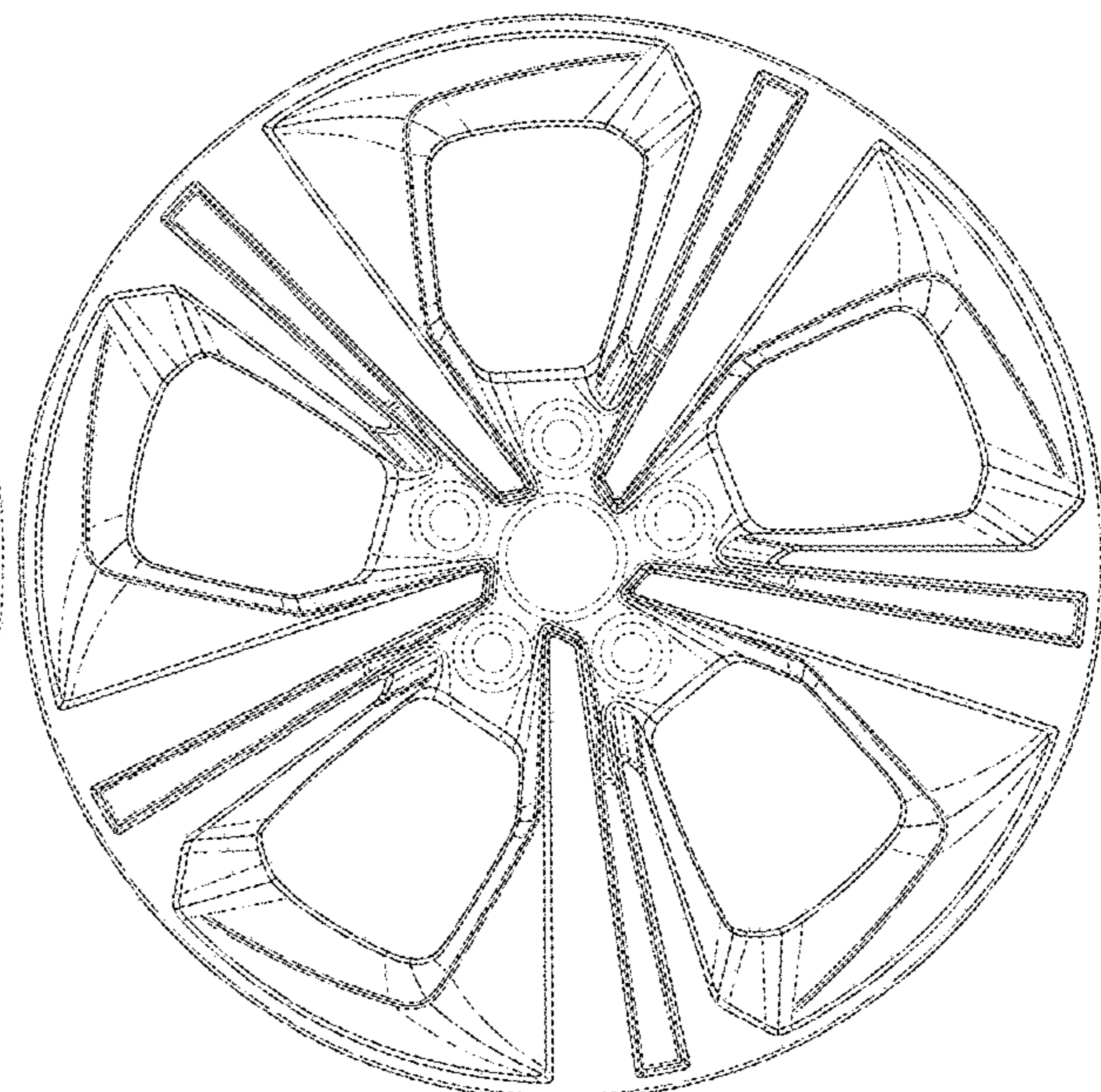
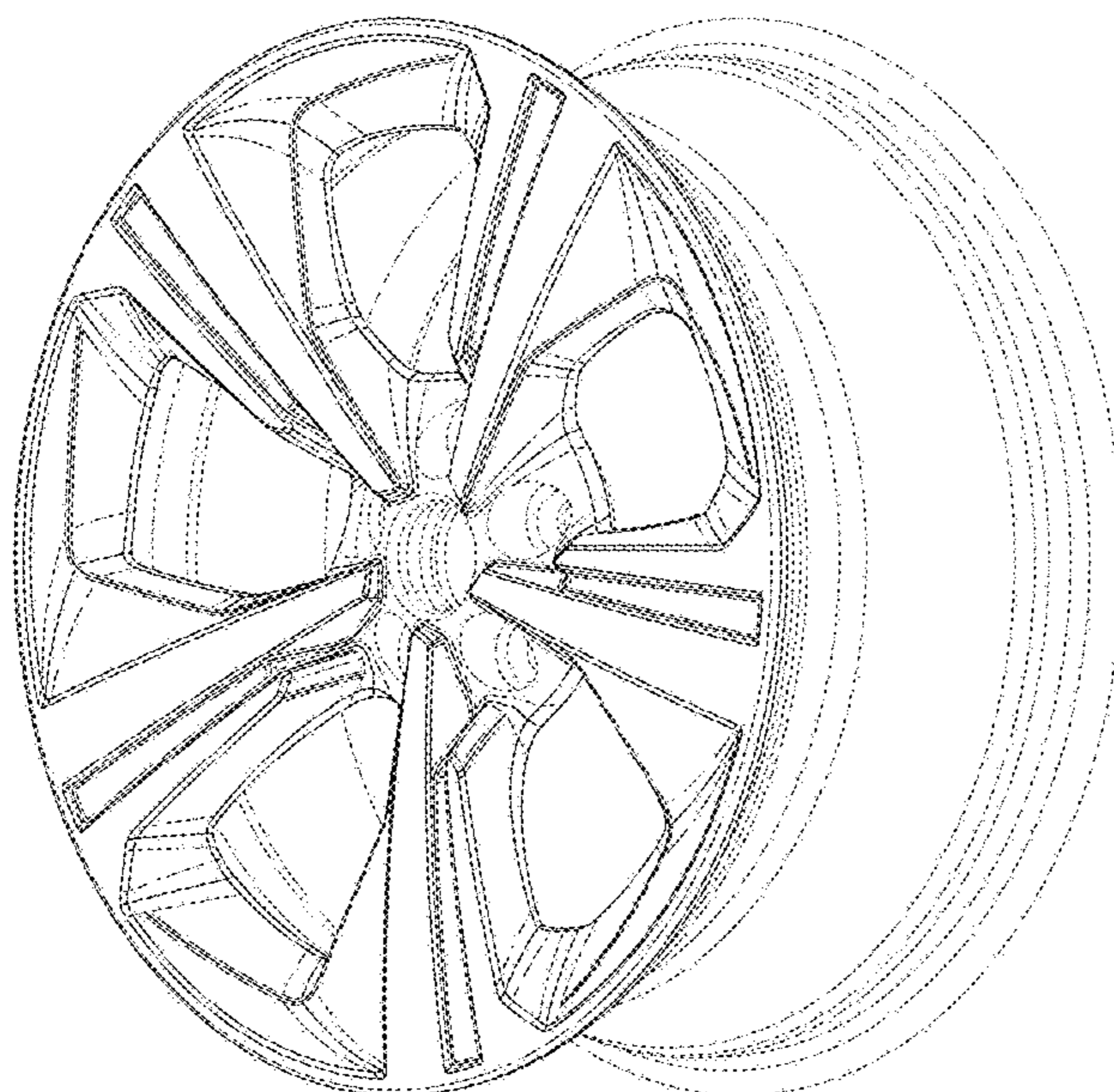
The ornamental design for a vehicle wheel, as shown and described.

**DESCRIPTION**

FIG. 1 is a frontside perspective view of the vehicle wheel;  
FIG. 2 is a rear side perspective view thereof;  
FIG. 3 is a front view thereof;  
FIG. 4 is a rear view thereof;  
FIG. 5 is a left side view thereof;  
FIG. 6 is a right side view thereof;  
FIG. 7 is a top view thereof; and,  
FIG. 8 is a bottom view thereof.

The broken lines shown in the drawings depict portions of the vehicle wheel that form no part of the claimed design.

**1 Claim, 8 Drawing Sheets**





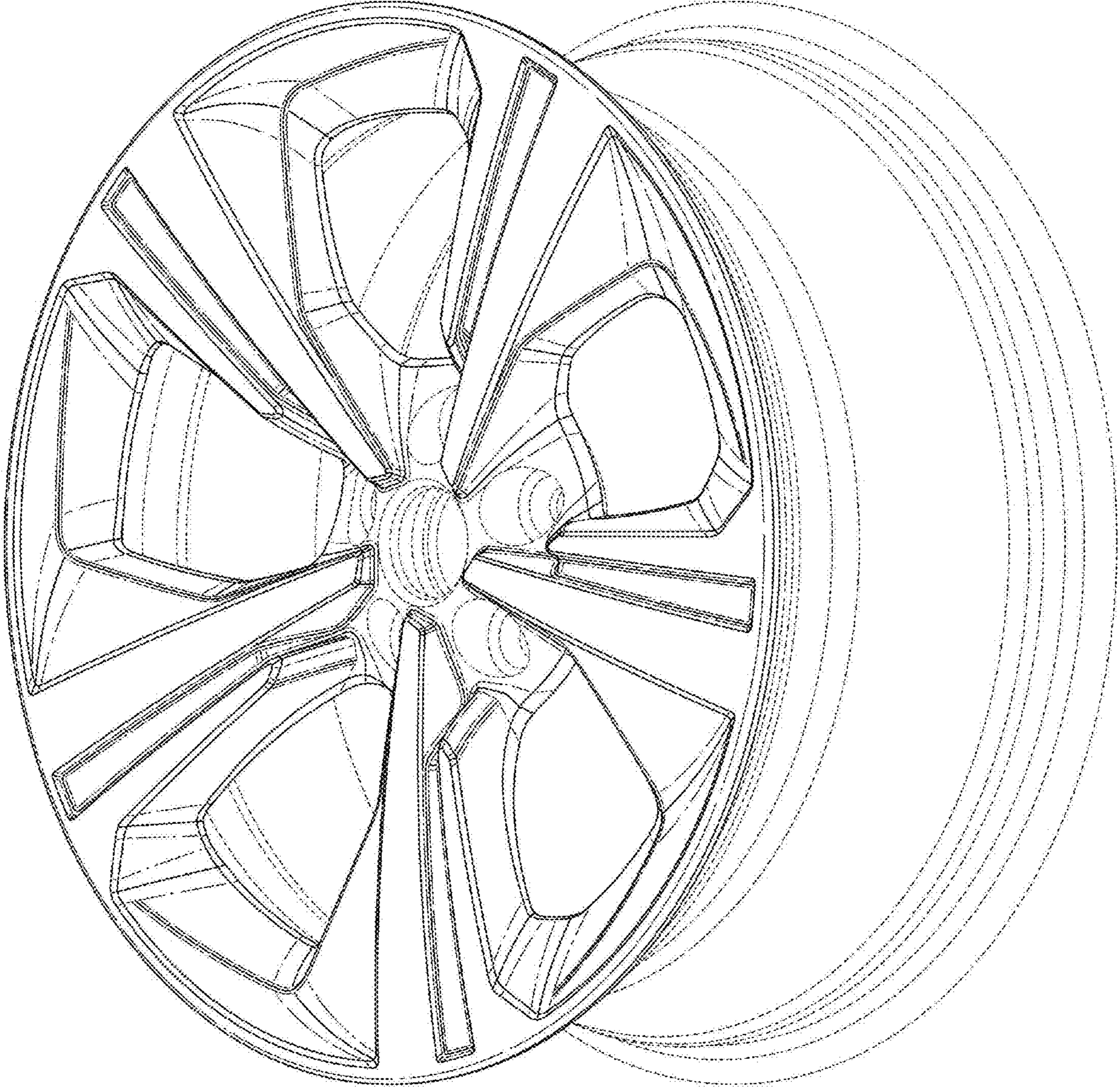


FIG. 1

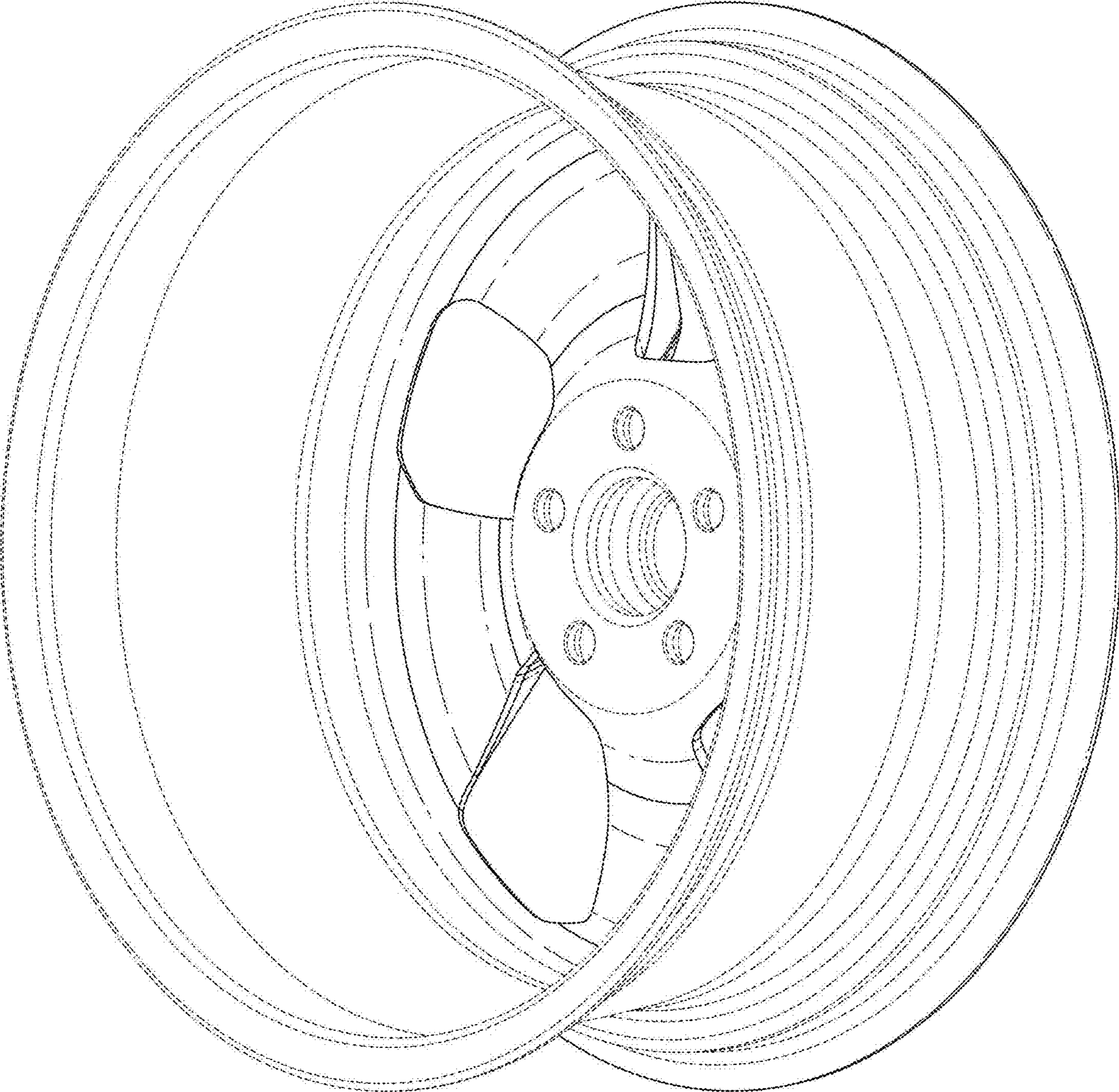


FIG. 2



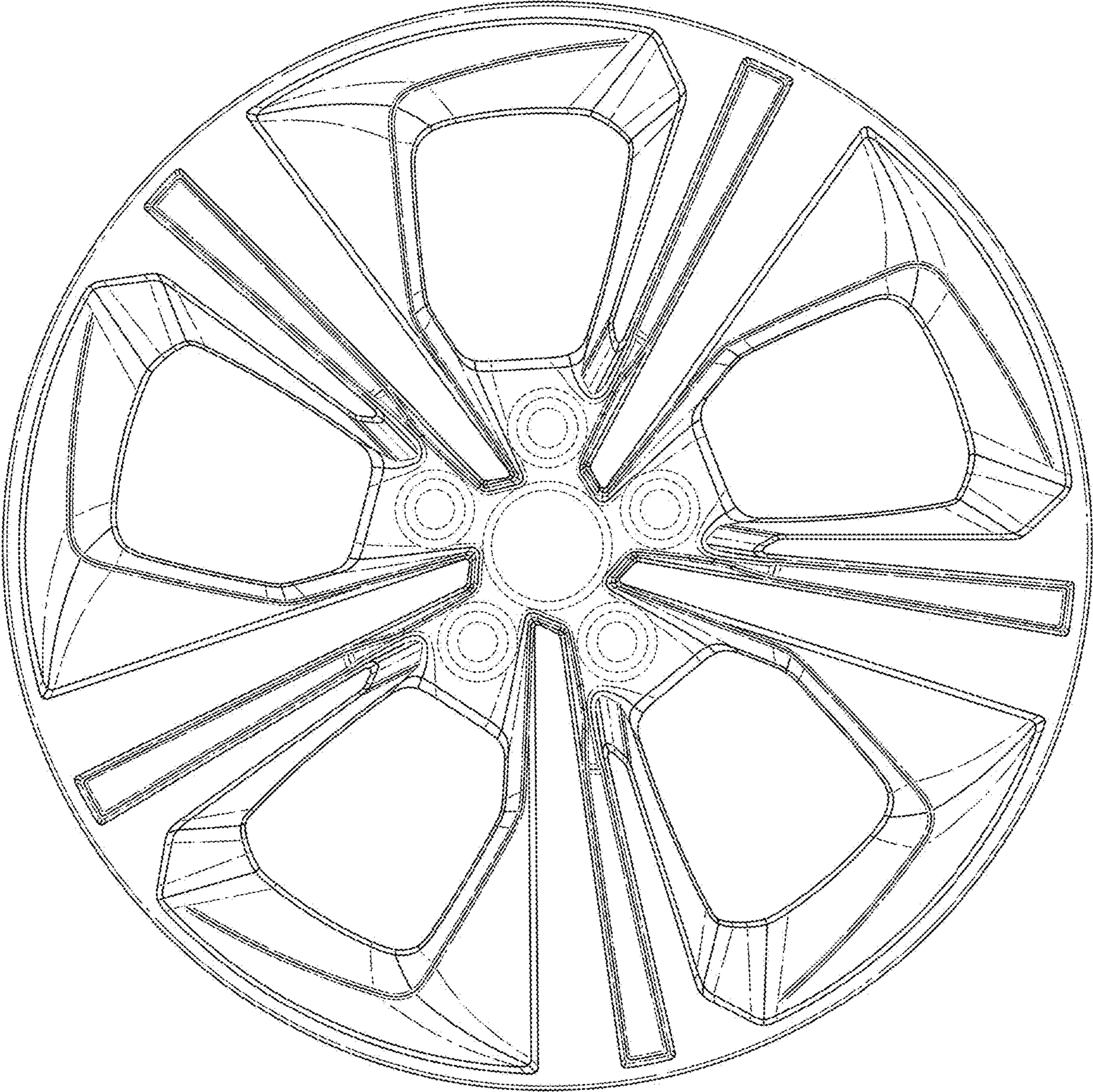


FIG. 3

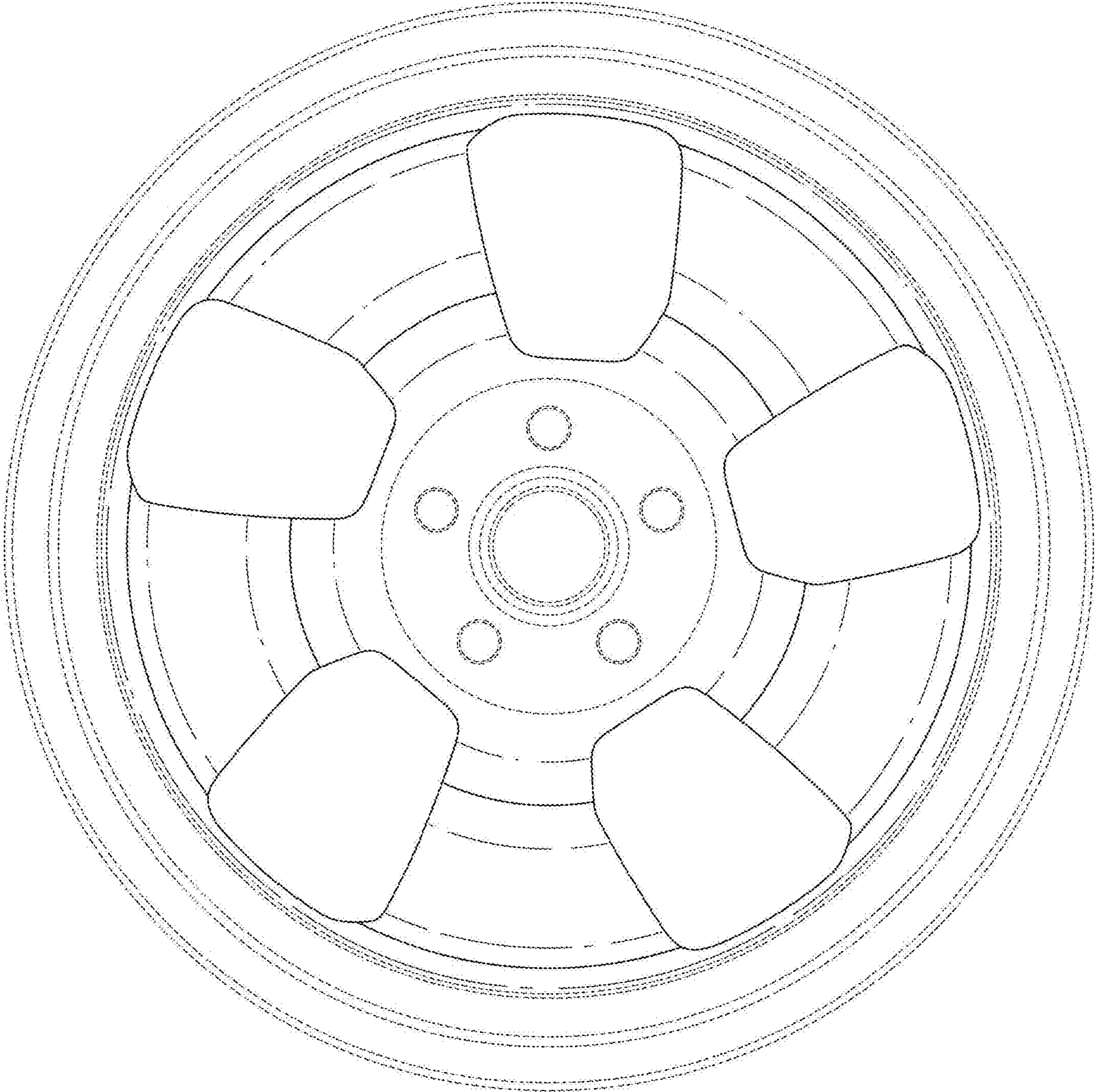


FIG. 4



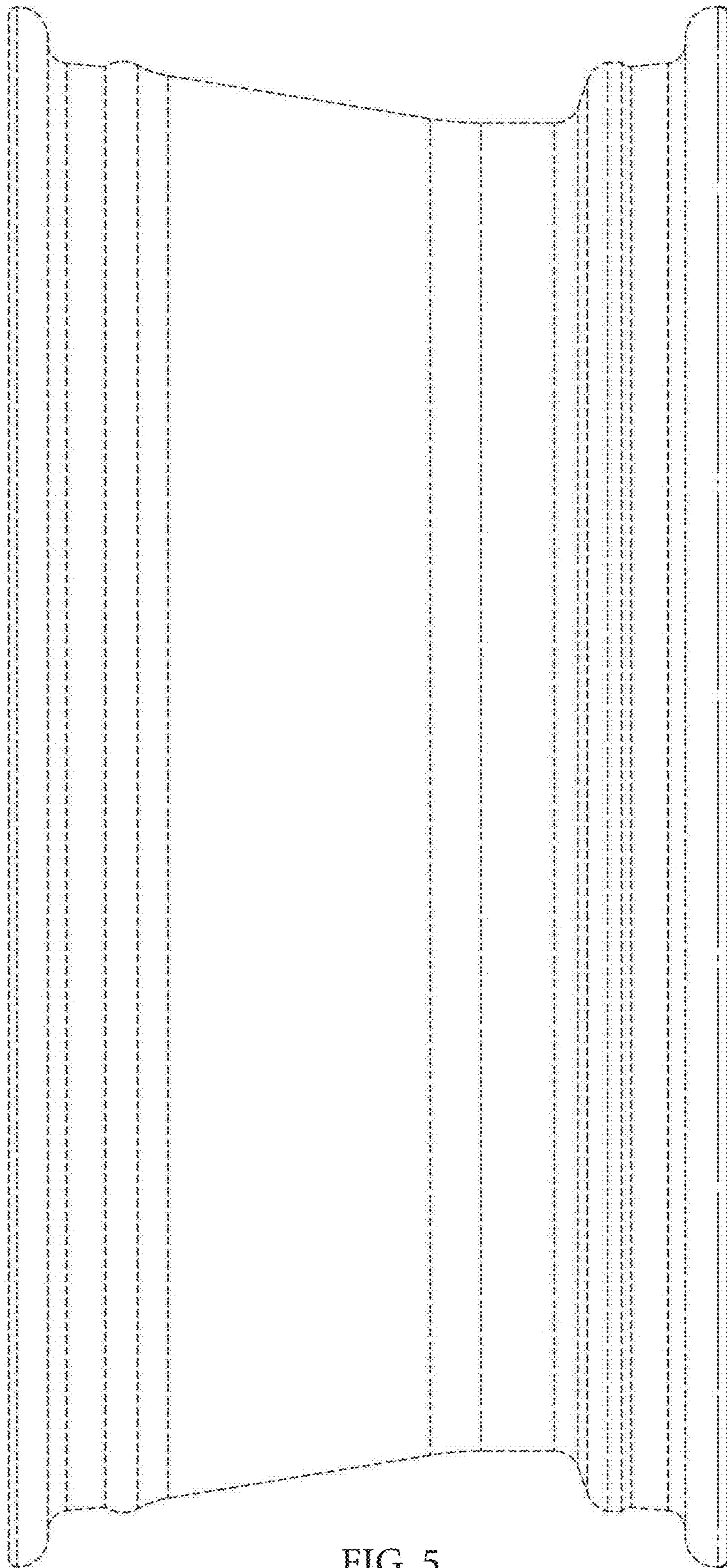


FIG. 5

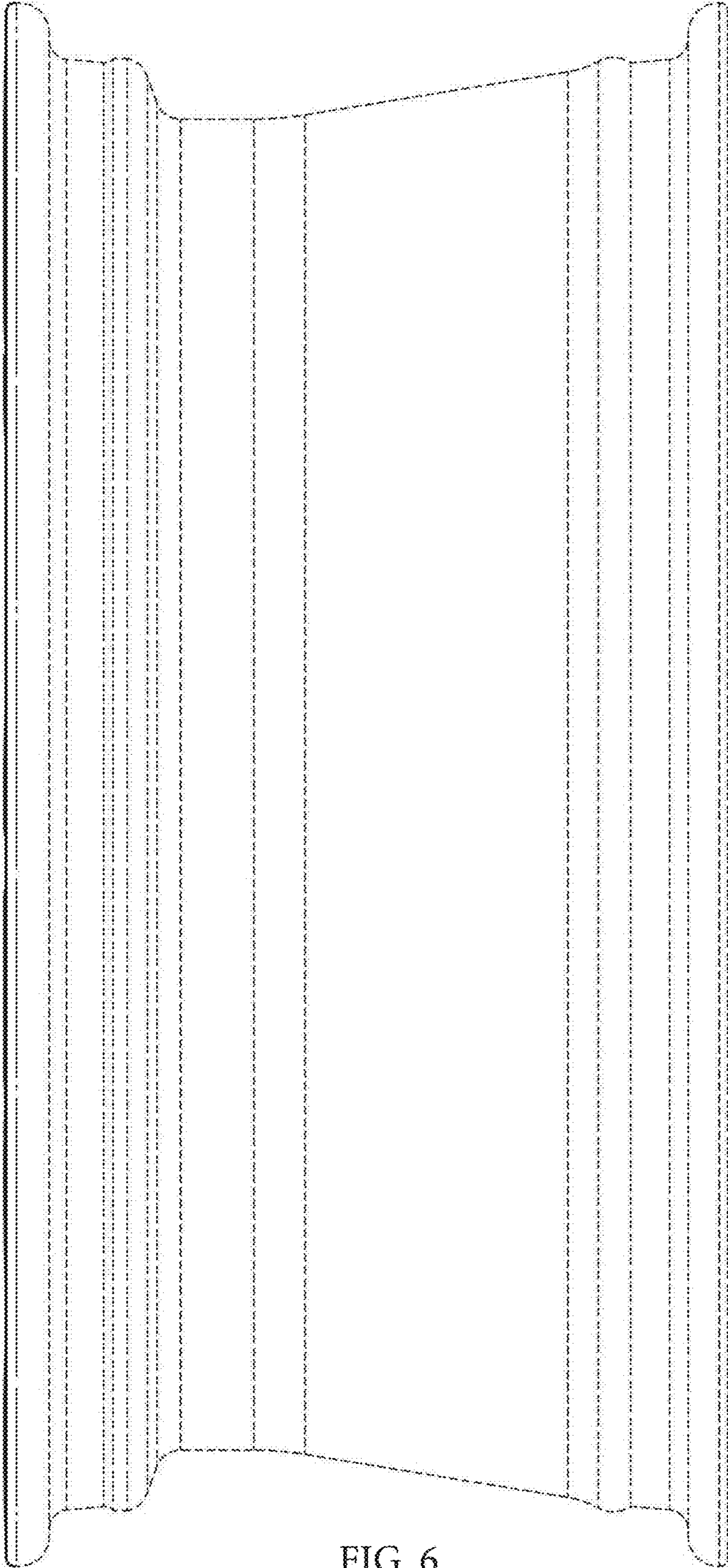


FIG. 6



FIG. 7



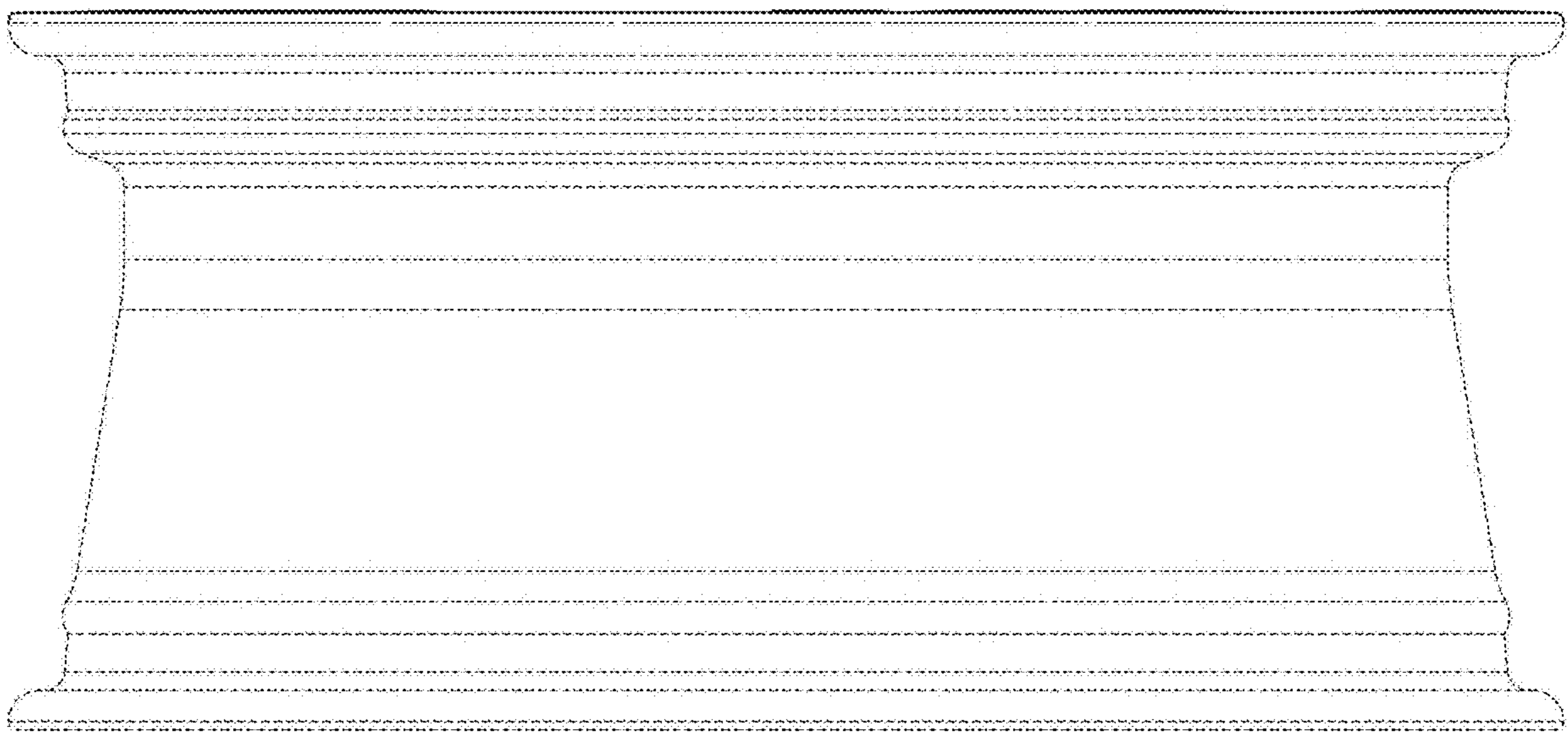


FIG. 8