



US00D939410S

(12) **United States Design Patent** (10) **Patent No.:** **US D939,410 S**
Dvorak et al. (45) **Date of Patent:** **** Dec. 28, 2021**

(54) **COVER PLATE**

(56) **References Cited**

(71) Applicant: **DANFOSS POWER SOLUTIONS INC.**, Ames, IA (US)
(72) Inventors: **Charlie Dvorak**, Nordborg (DK); **Wondimagegn Diress**, Nordborg (DK); **Pavol Balco**, Nordborg (DK); **Jeffrey C. Hansell**, Nordborg (DK)
(73) Assignee: **DANFOSS POWER SOLUTIONS INC.**, Ames, IA (US)
(**) Term: **15 Years**
(21) Appl. No.: **29/721,823**
(22) Filed: **Jan. 23, 2020**

U.S. PATENT DOCUMENTS

D367,023 S * 2/1996 Benson D12/126
6,409,390 B1 6/2002 Bouzakis et al.
D600,720 S * 9/2009 Iwanicki D15/5
D605,998 S * 12/2009 McEwen D12/207
8,794,414 B2 * 8/2014 Culmer F16D 65/186
192/70.12
9,140,324 B2 * 9/2015 Boonpongmanee
F16D 25/0638
D747,245 S * 1/2016 Nosworthy D12/180
D782,945 S * 4/2017 Stuckey D12/180
D791,841 S * 7/2017 Obuchi D15/7
9,719,513 B2 * 8/2017 Geue F04C 29/066
D834,475 S * 11/2018 Rode D12/180
D839,155 S * 1/2019 McDougall D12/180

(Continued)

FOREIGN PATENT DOCUMENTS

CN 106460938 A 2/2017

OTHER PUBLICATIONS

CN106460938A—English Translation.

Primary Examiner — Darlington Ly

(74) *Attorney, Agent, or Firm* — Zarley Law Firm, P.L.C.

Related U.S. Application Data

(63) Continuation of application No. 29/716,529, filed on Dec. 10, 2019, and a continuation of application No. 29/716,518, filed on Dec. 10, 2019, and a continuation of application No. 29/716,522, filed on Dec. 10, 2019, and a continuation of application No. 16/705,972, filed on Dec. 6, 2019.

(60) Provisional application No. 62/776,014, filed on Dec. 6, 2018.

(51) **LOC (13) Cl.** **12-16**

(52) **U.S. Cl.**
USPC **D12/180**

(58) **Field of Classification Search**
USPC D12/14, 106, 114, 118, 122, 160, 161,
D12/162, 179, 180, 207, 217, 400;
D15/7

CPC F16D 65/128; F16D 65/12; F16D 65/123;
F16D 65/127; F16D 65/186; F16D
65/853; F16D 2065/1328; F16D 25/0638;
F16C 19/386

See application file for complete search history.

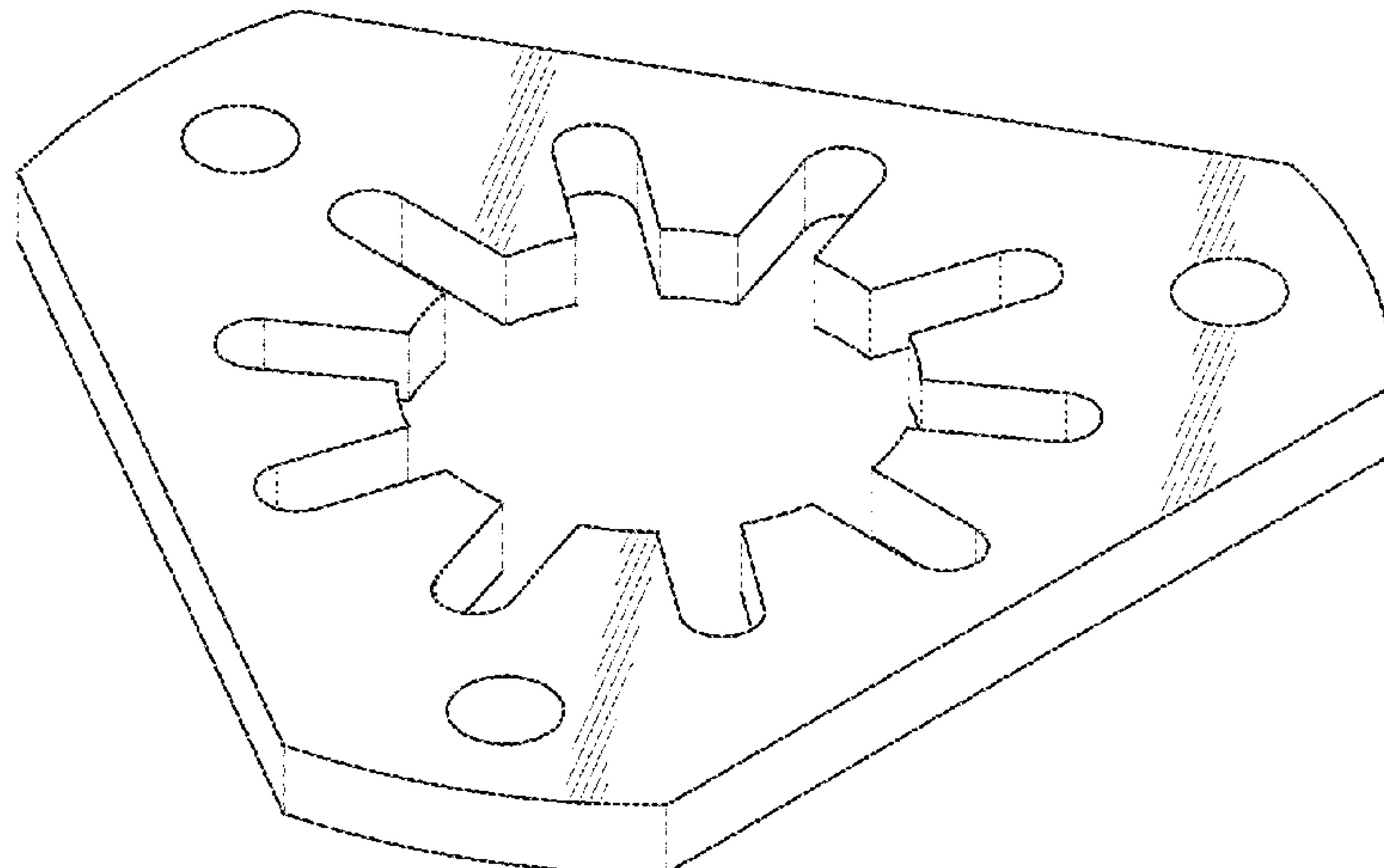
(57) **CLAIM**

The ornamental design for a cover plate, as shown and described.

DESCRIPTION

FIG. 1 is a top perspective view of a cover plate embodying our new design;
FIG. 2 is a front elevation view thereof;
FIG. 3 is a rear elevation view thereof;
FIG. 4 is a right side elevation view thereof;
FIG. 5 is a left side elevation view thereof;
FIG. 6 is a top plan view thereof; and,
FIG. 7 is a bottom plan view thereof.

(Continued)



The broken lines in the drawings illustrate portions of the cover plate that form no part of the claimed design.

1 Claim, 7 Drawing Sheets

(56) **References Cited**

U.S. PATENT DOCUMENTS

D890,212 S *	7/2020	Green	D15/7
D911,881 S *	3/2021	Lindloff	B62J 25/00
			D12/126
2009/0211856 A1 *	8/2009	Sollenskog	F16D 65/12
			188/18 A

* cited by examiner

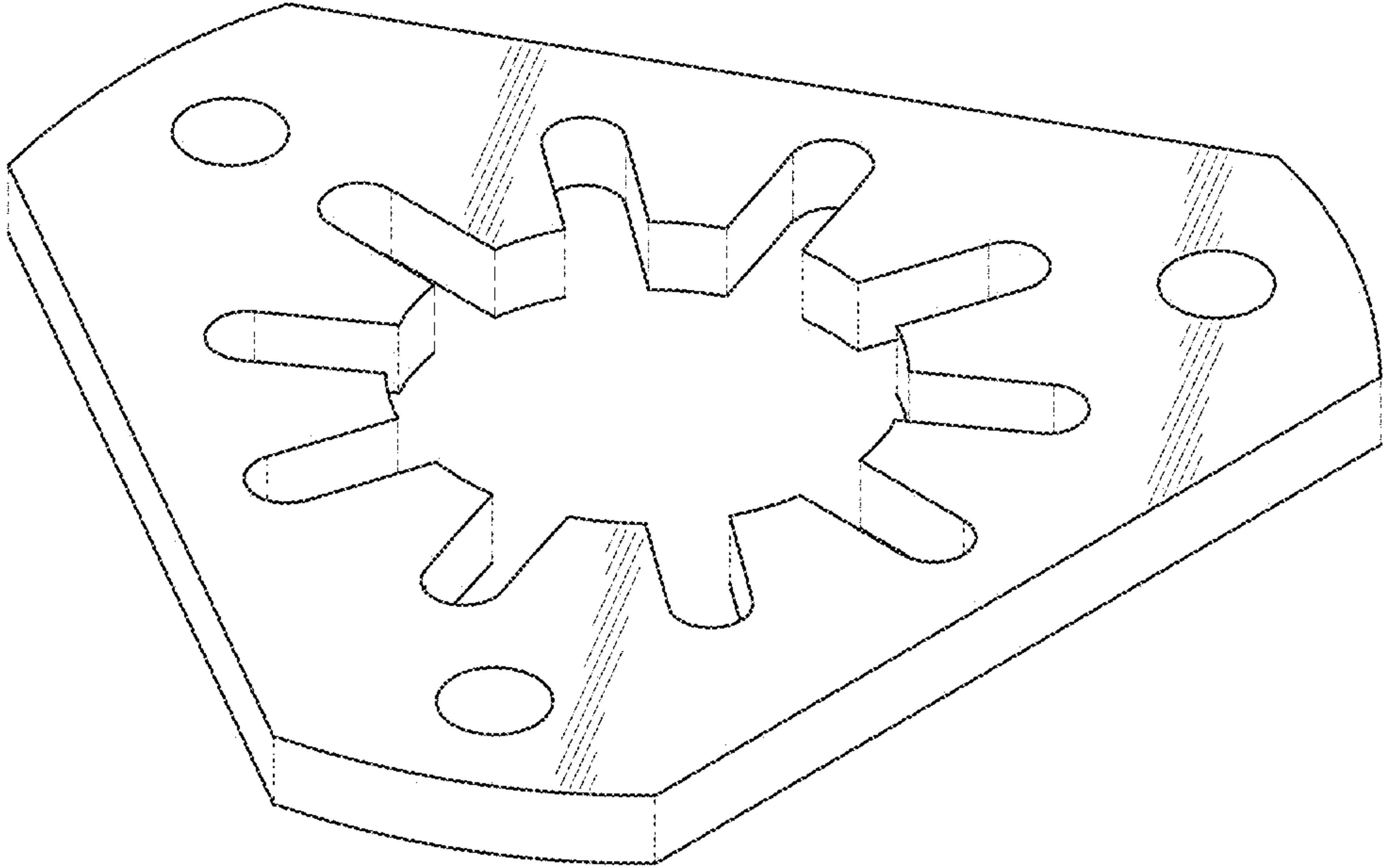


FIG. 1



FIG. 2



FIG. 3



FIG. 4



FIG. 5

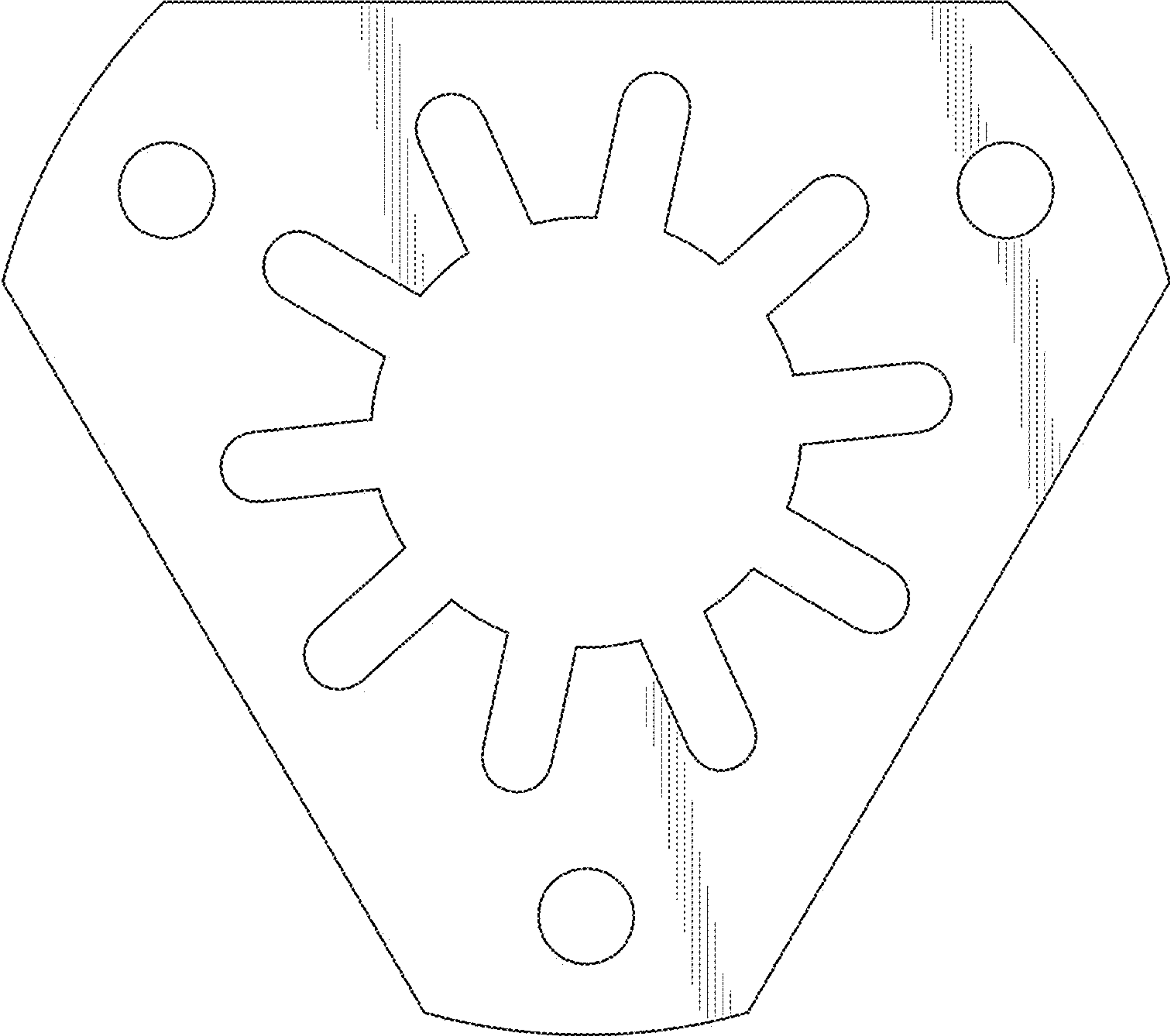


FIG. 6

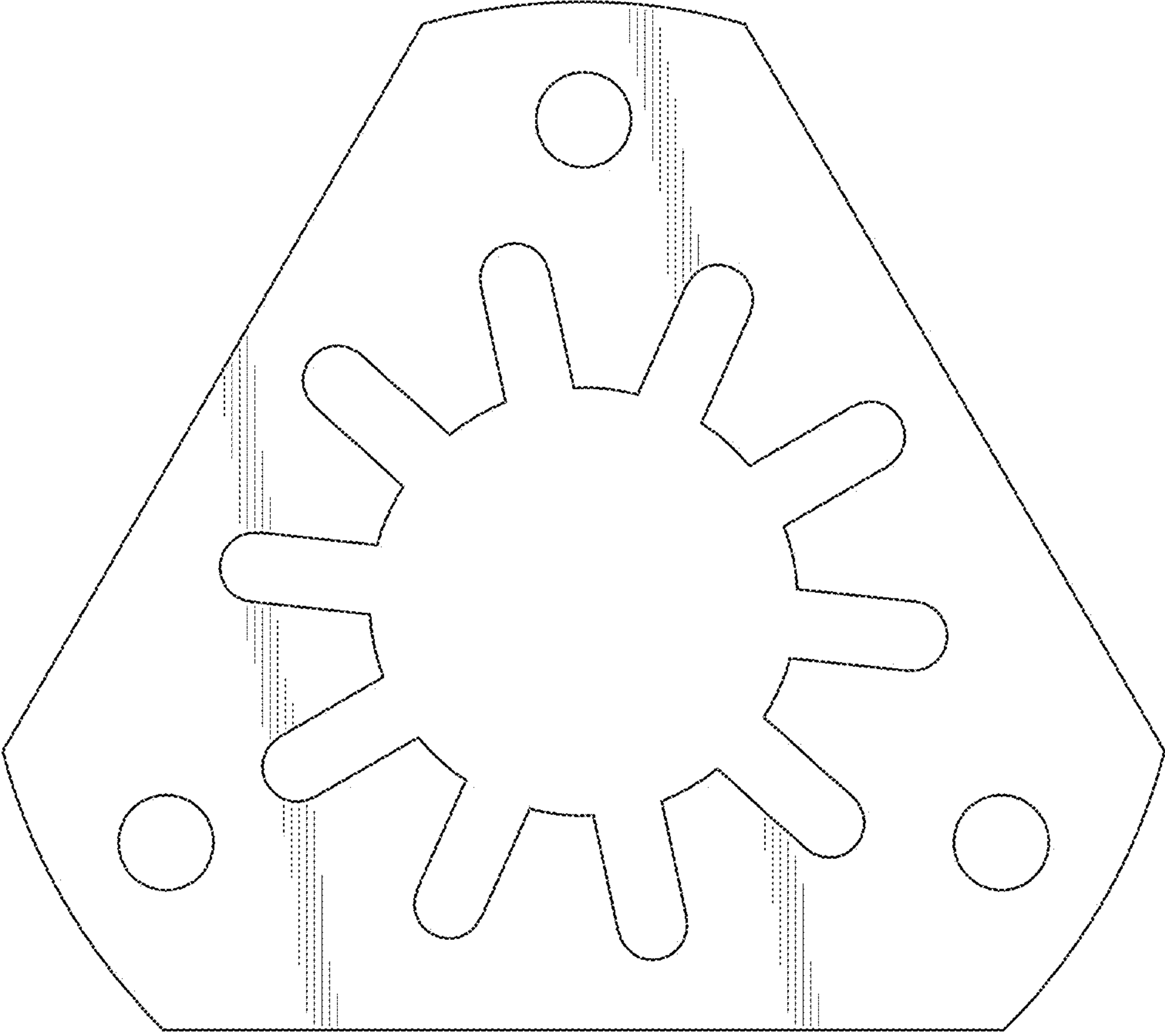


FIG. 7