



US00D939408S

(12) **United States Design Patent** (10) **Patent No.:** **US D939,408 S**
Kim et al. (45) **Date of Patent:** **** Dec. 28, 2021**

(54) **FRONT BUMPER FOR AN AUTOMOBILE**
(71) Applicants: **Kia Motors Corporation**, Seoul (KR);
Hyundai Motor Company, Seoul (KR)
(72) Inventors: **Myung Eun Kim**, Suwon-si (KR);
Myung Jin Jung, Hwaseong-si (KR)
(73) Assignees: **Kia Motors Corporation**, Seoul (KR);
Hyundai Motor Company, Seoul (KR)

(**) Term: **15 Years**

(21) Appl. No.: **35/510,279**

(22) Filed: **Mar. 10, 2020**

(80) **Hague Agreement Data**

Int. Filing Date: **Mar. 10, 2020**
Int. Reg. No.: **DM/207078**
Int. Reg. Date: **Mar. 10, 2020**
Int. Reg. Pub. Date: **Sep. 11, 2020**

(30) **Foreign Application Priority Data**

Sep. 30, 2019 (KR) 30-2019-0046834

(51) **LOC (13) Cl.** **12-16**

(52) **U.S. Cl.**
USPC **D12/169**
CPC **B60R 19/50** (2013.01)

(58) **Field of Classification Search**
USPC ... D12/86-92, 163, 164, 169, 171, 196, 216
CPC B60R 19/02; B60R 19/18; B60R 19/24;
B60R 19/56; B60R 2019/007
See application file for complete search history.

(56) **References Cited**

U.S. PATENT DOCUMENTS

D614,547 S * 4/2010 Schell D12/169
D614,548 S * 4/2010 Oya D12/169
D617,700 S * 6/2010 Nishio D12/169

D624,470 S * 9/2010 Takahashi D12/169
D626,472 S * 11/2010 Loeb D12/169
D626,473 S * 11/2010 Mueller D12/169
D627,278 S * 11/2010 Komuro D12/169
D629,341 S * 12/2010 Choi D12/169
8,608,214 B2 * 12/2013 Wallace B60R 19/50
293/117
D745,837 S * 12/2015 Smith D12/169
D775,010 S * 12/2016 Kim D12/169
9,688,227 B2 * 6/2017 Cepollaro B60R 19/50
D792,292 S * 7/2017 Spencer D12/169
D800,615 S * 10/2017 Park D12/169
D801,886 S * 11/2017 Toriyama D12/169
D829,619 S * 10/2018 Kim D12/169
D829,620 S * 10/2018 Lim D12/169
D843,899 S * 3/2019 Nakajima D12/169
D860,886 S * 9/2019 Hong D12/169
D862,316 S * 10/2019 Melikian D12/169
D865,588 S * 11/2019 Hong D12/169
D870,610 S * 12/2019 Tonello D12/169
D890,043 S * 7/2020 Choi D12/169
D892,687 S * 8/2020 Kim D12/169
D892,688 S * 8/2020 Oh D12/169
D893,367 S * 8/2020 Kim D12/169
D893,368 S * 8/2020 Oh D12/169
D896,713 S * 9/2020 Choi D12/169

(Continued)

Primary Examiner — Richard E Chilcot

(74) *Attorney, Agent, or Firm* — Mintz Levin Cohn Ferris
Glovsky and Popeo, P.C.; Peter F. Corless

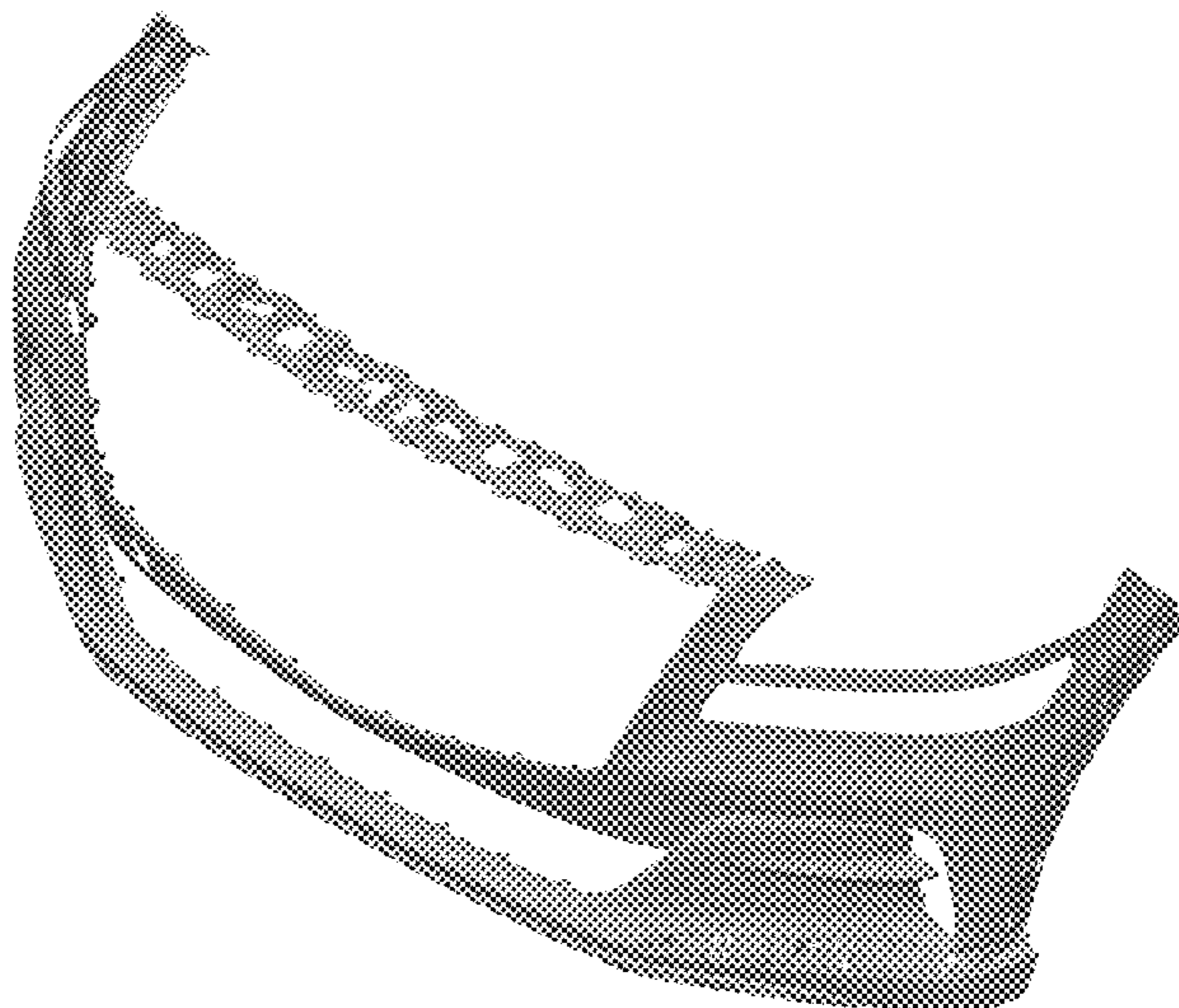
(57) **CLAIM**

The ornamental design for a front bumper for an automobile,
as shown and described.

DESCRIPTION

- 1. Front bumper for an automobile
- 1.1 : Perspective
- 1.2 : Front
- 1.3 : Back
- 1.4 : Left
- 1.5 : Right
- 1.6 : Top
- 1.7 : Bottom

1 Claim, 7 Drawing Sheets



(56)

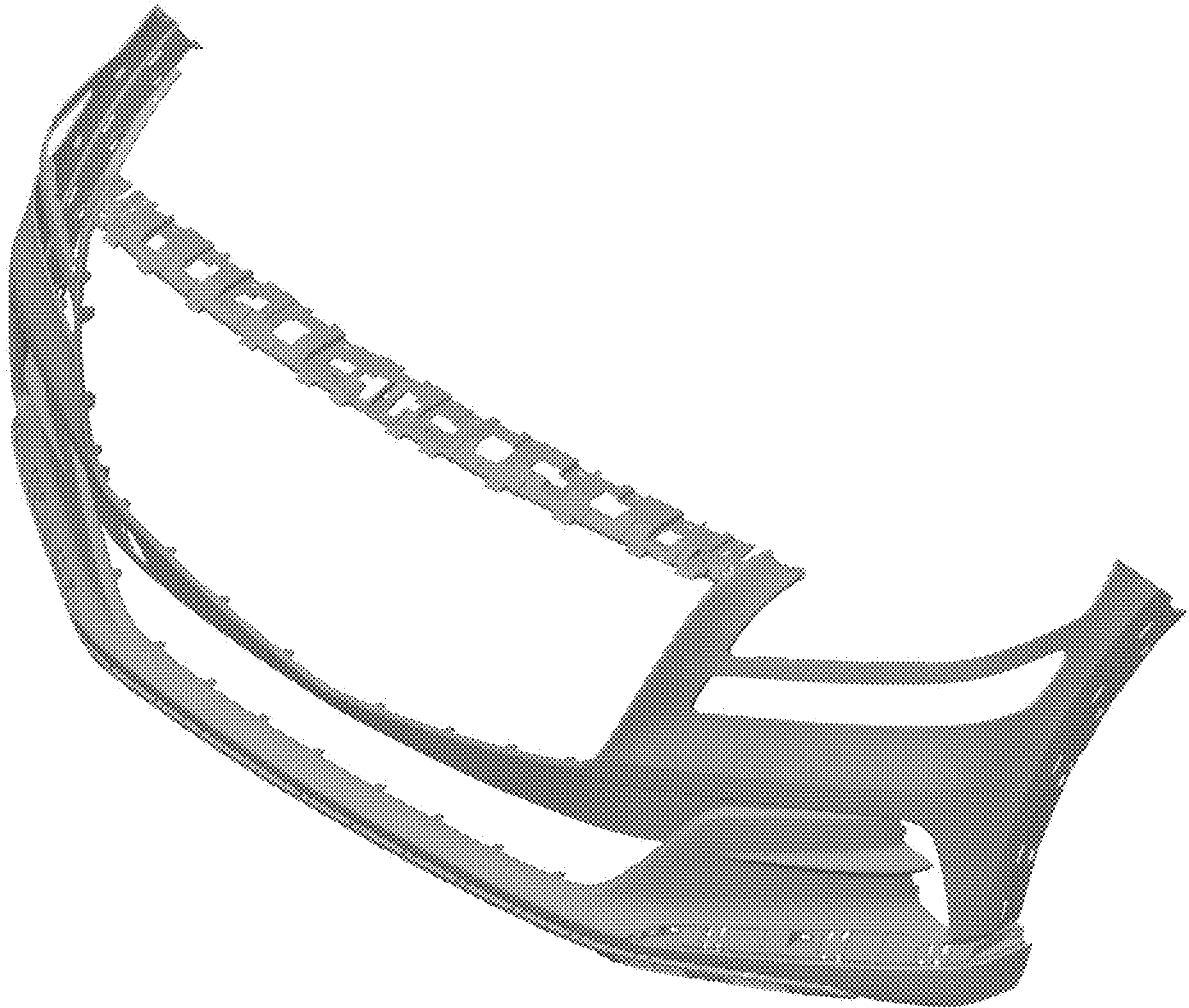
References Cited

U.S. PATENT DOCUMENTS

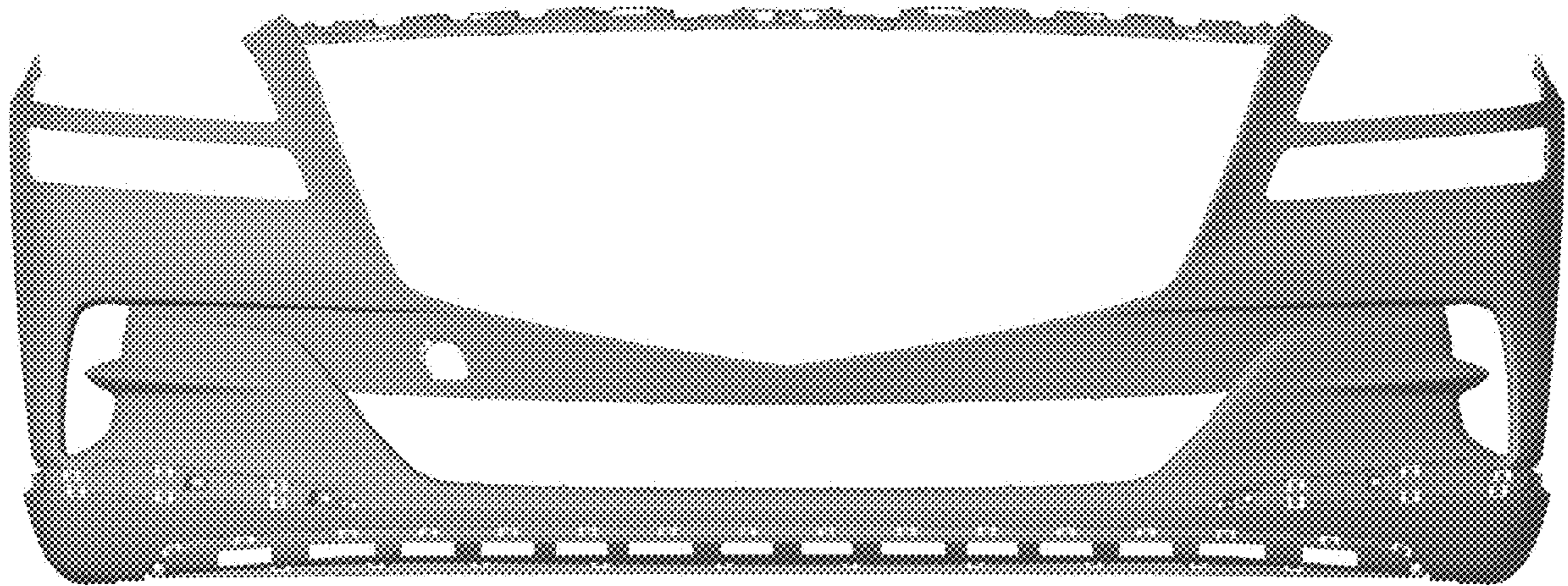
D901,344	S	*	11/2020	Kim	D12/169
D902,806	S	*	11/2020	Oh	D12/169
D909,931	S	*	2/2021	Toriyama	D12/169
D915,958	S	*	4/2021	Lee	D12/169
D917,353	S	*	4/2021	Lee	D12/169
D918,792	S	*	5/2021	Koo	D12/169
D922,277	S	*	6/2021	Kim	D12/169
D922,278	S	*	6/2021	Kim	D12/169
2008/0079271	A1	*	4/2008	Maruko	B60R 19/52 293/102
2009/0243340	A1	*	10/2009	Goldsberry	B60R 19/50 296/191

* cited by examiner

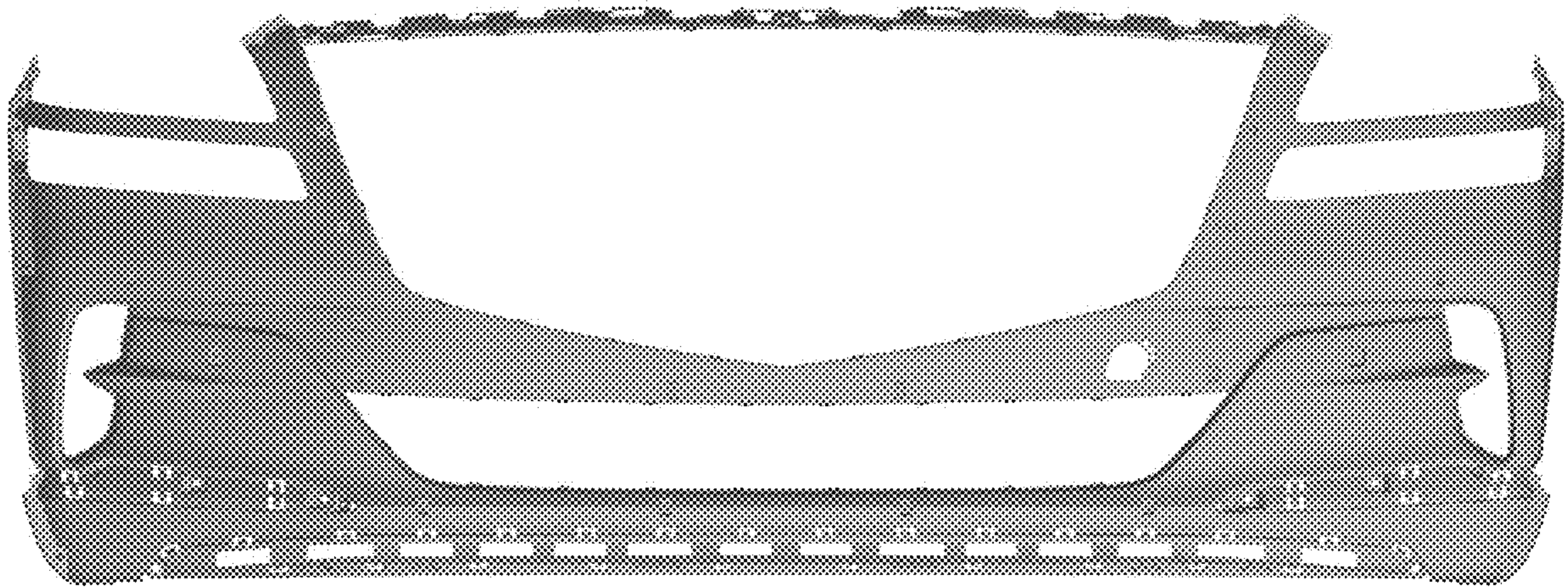
1.1



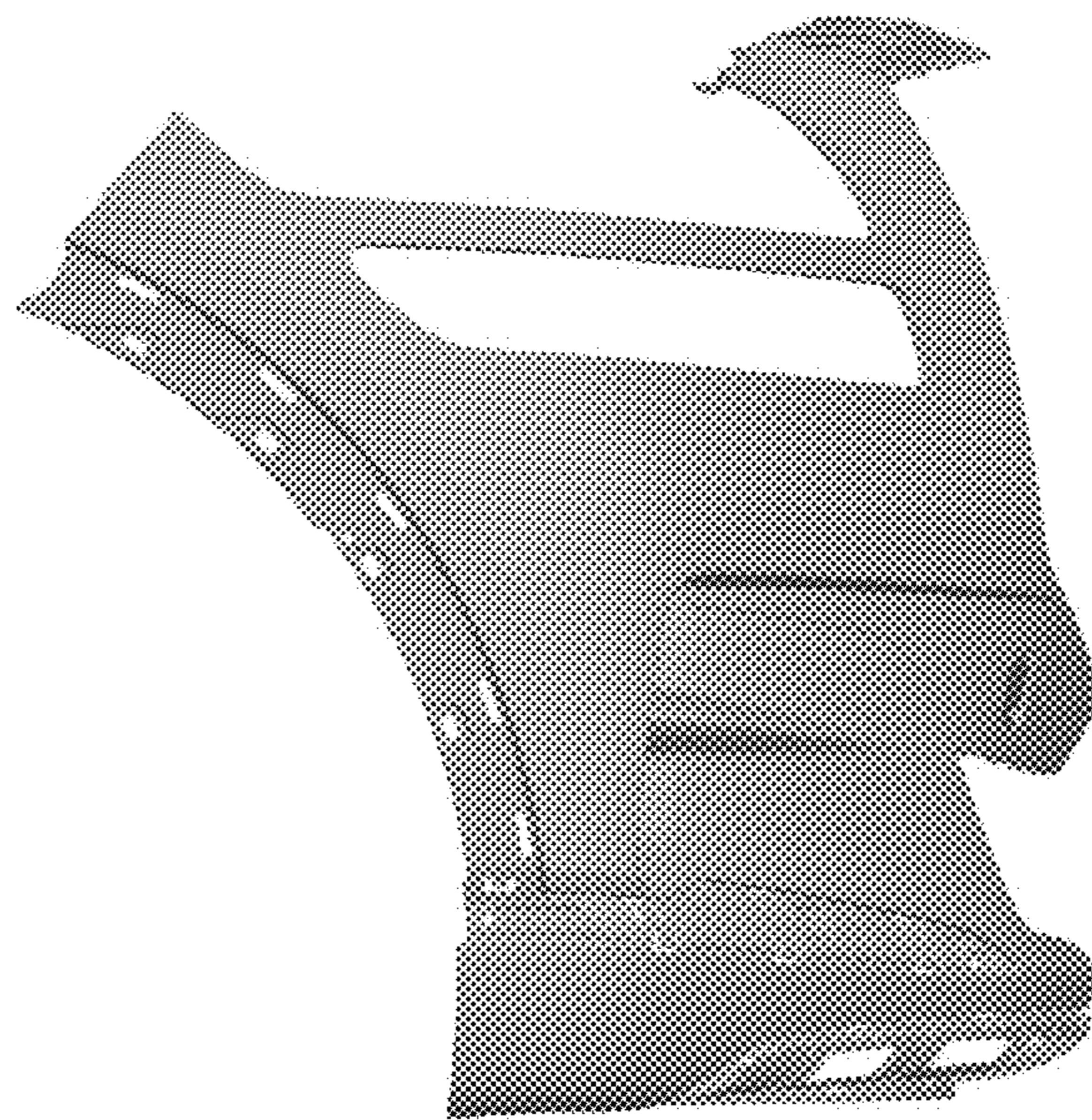
1.2



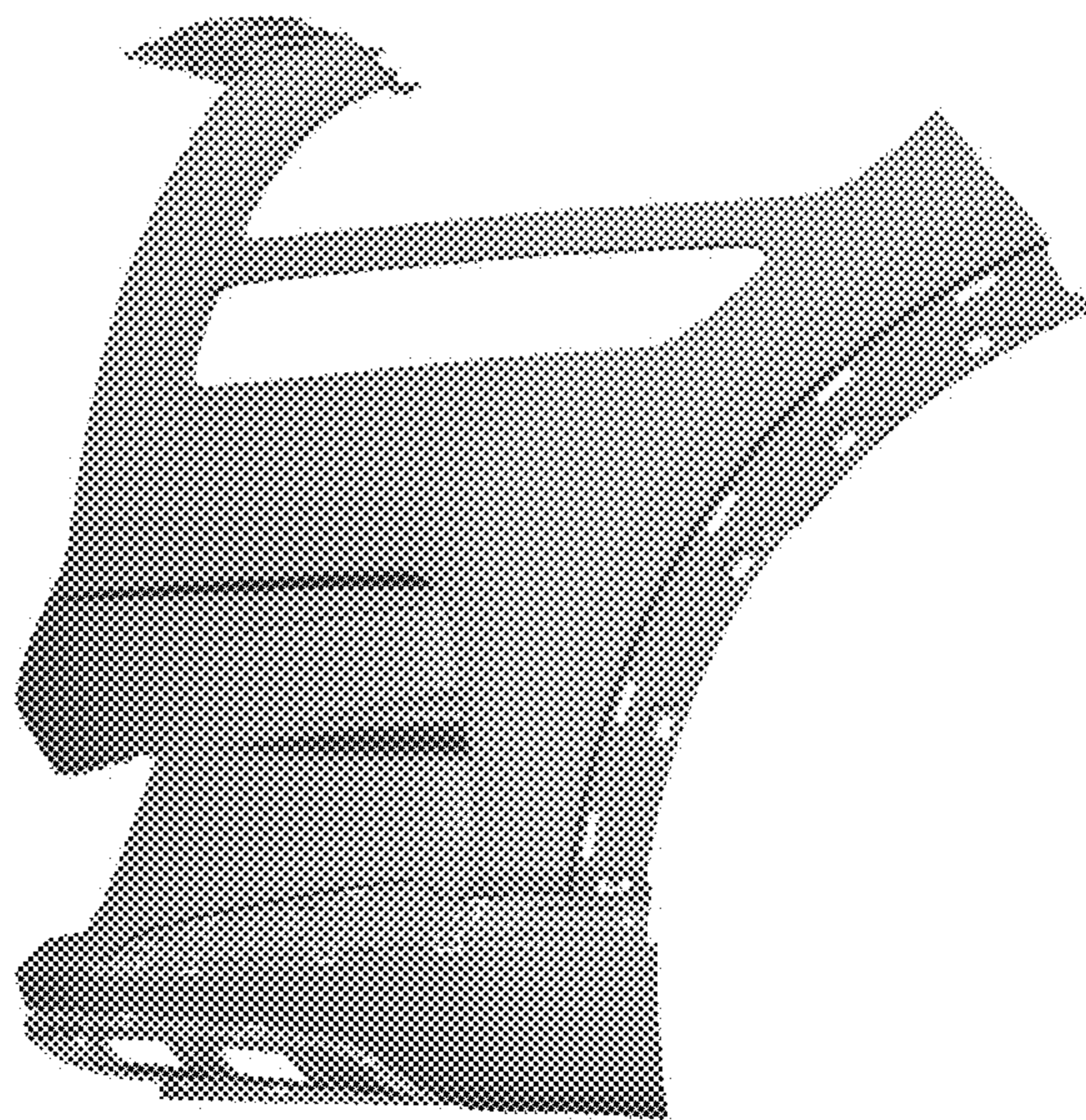
1.3



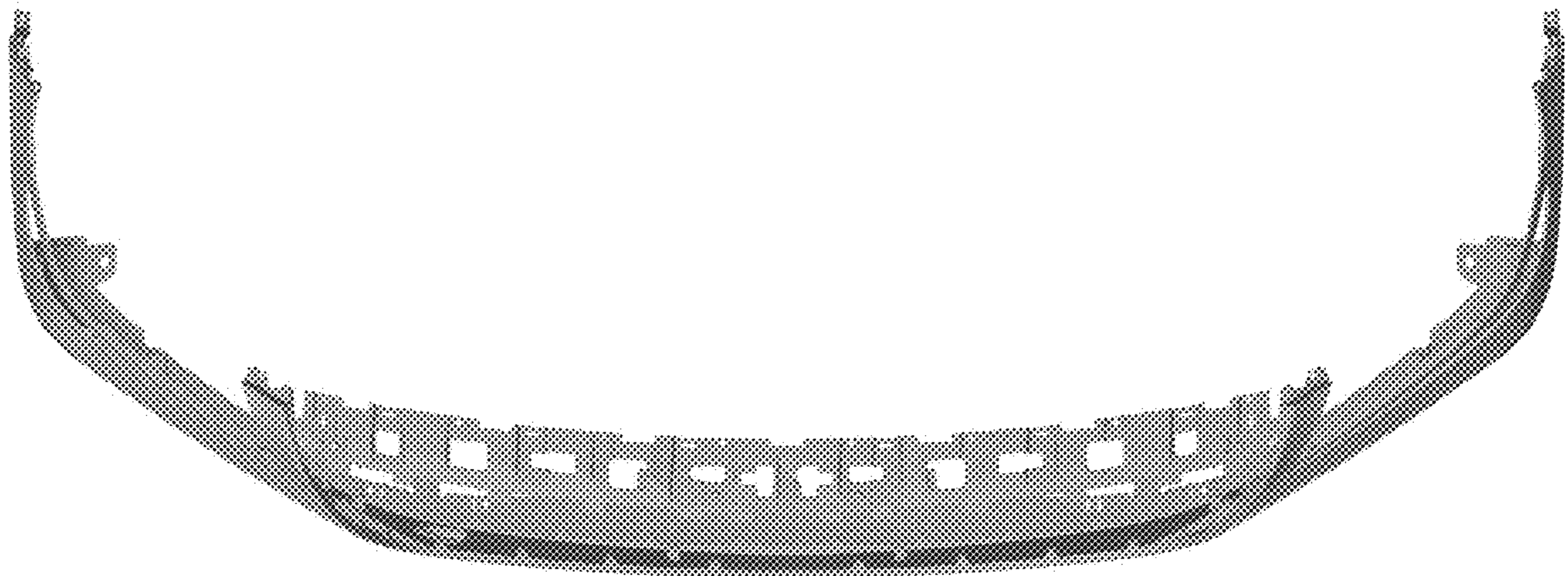
1.4



1.5



1.6



1.7

