



US00D939387S

(12) **United States Design Patent** (10) **Patent No.:** **US D939,387 S**  
**Chambers et al.** (45) **Date of Patent:** **\*\* Dec. 28, 2021**

(54) **POWERED MOTORBIKE**  
(71) Applicant: **Super73, Inc.**, Irvine, CA (US)  
(72) Inventors: **Ian Chambers**, Irvine, CA (US);  
**Legrand Crewse**, Irvine, CA (US)  
(73) Assignee: **Super73, Inc.**, Irvine, CA (US)  
(\*\*) Term: **15 Years**  
(21) Appl. No.: **29/721,979**  
(22) Filed: **Jan. 24, 2020**  
(51) **LOC (13) Cl.** ..... **12-11**  
(52) **U.S. Cl.**  
USPC ..... **D12/111**  
(58) **Field of Classification Search**  
USPC ..... D12/110, 111, 114, 117; D21/432, 538  
CPC ..... B62K 11/00; B62K 11/02; B62K 11/04;  
B62K 11/10; B62K 17/00; B62K 19/00;  
B62K 2202/00  
See application file for complete search history.

D920,848 S \* 6/2021 Kuehne ..... D12/110  
D920,854 S \* 6/2021 Chambers ..... D12/118  
D921,539 S \* 6/2021 Chambers ..... D12/117  
D921,541 S \* 6/2021 Chambers ..... D12/118

**OTHER PUBLICATIONS**

“Super73-S2” Super73., posted date Jun. 24, 2019 [online], [retrieved on Jun. 16, 2021]. Retrieved from the Internet <<https://super73.com/collections/s-series/products/super73-s2>> (Year: 2019).\*  
“Super73 S2 Super73 Electric Motorbikes” Super73., posted date Aug. 7, 2019 [online], [retrieved on Jun. 16, 2021]. Retrieved from the Internet <<https://ryddo.com/product/super73-s2/>> (Year: 2019).\*

(Continued)

*Primary Examiner* — Darlington Ly  
*Assistant Examiner* — Nasim Abdulaziz Ali  
(74) *Attorney, Agent, or Firm* — Stradling Yocca Carlson & Rauth

(57) **CLAIM**

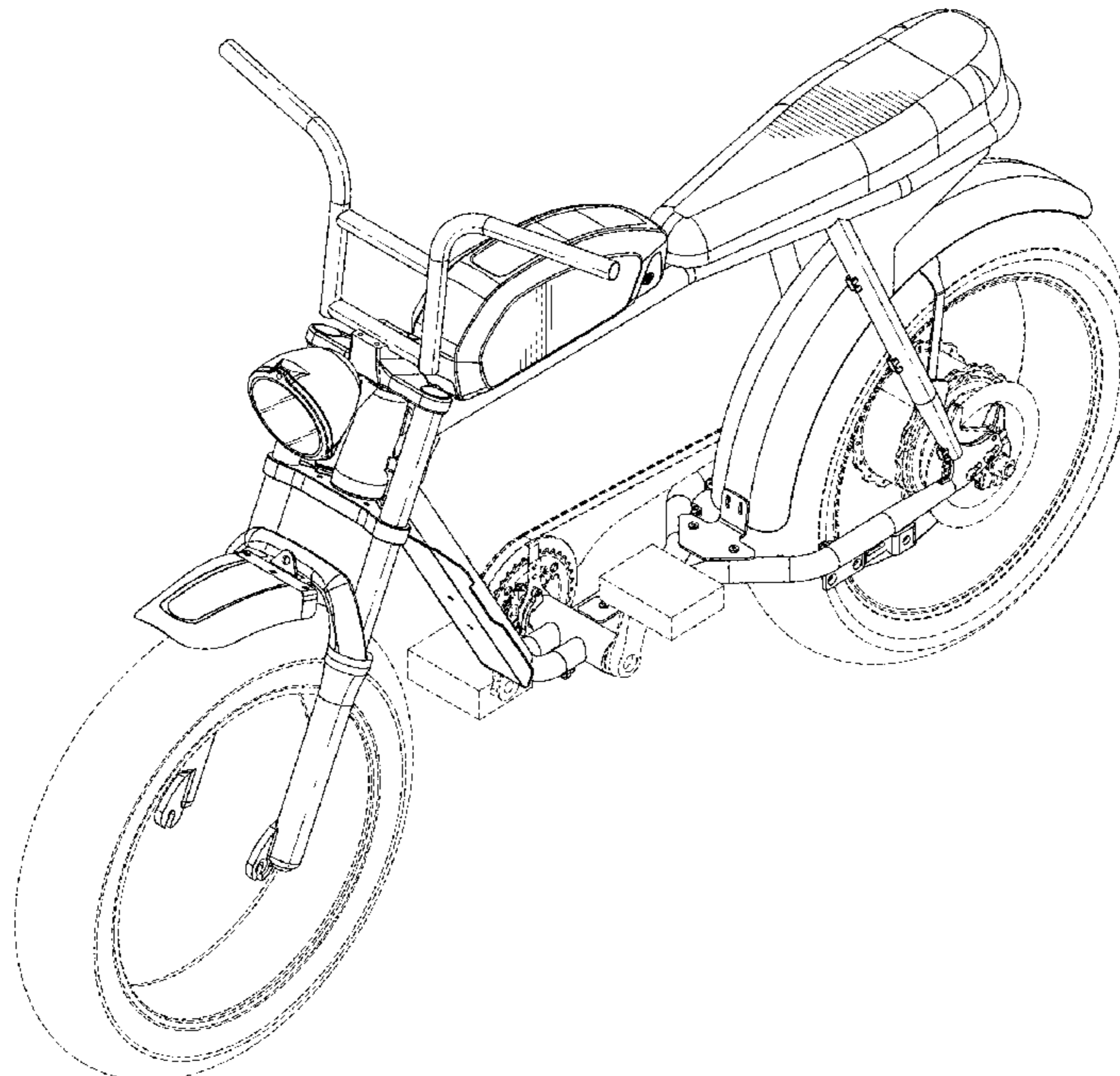
The ornamental design for a powered motorbike, as shown and described.

**DESCRIPTION**

FIG. 1 is a top, front, and left side perspective view of a powered motorbike embodying our new design;  
FIG. 2 is a top, rear, and right side perspective view thereof;  
FIG. 3 is a left side elevation view thereof;  
FIG. 4 is a right side elevation view thereof;  
FIG. 5 is a front elevation view thereof;  
FIG. 6 is a rear elevation view thereof;  
FIG. 7 is a top plan view thereof; and,  
FIG. 8 is a bottom plan view thereof.  
The broken lines in the drawings illustrate portions of the powered motorbike that form no part of the claimed design.

(56) **References Cited**  
U.S. PATENT DOCUMENTS  
D281,615 S \* 12/1985 Barbato ..... D12/110  
D485,789 S \* 1/2004 Lai ..... D12/111  
D643,783 S \* 8/2011 Thackery ..... D12/110  
D645,791 S \* 9/2011 Lee ..... D12/110  
D650,724 S \* 12/2011 Chiang ..... D12/111  
D803,103 S \* 11/2017 Clyde ..... D12/110  
D815,991 S \* 4/2018 Clyde ..... D12/110  
D833,333 S \* 11/2018 Yu ..... D12/111  
D909,920 S \* 2/2021 Zhu ..... D12/111  
D910,496 S \* 2/2021 Zhu ..... D12/111  
D915,244 S \* 4/2021 Chen ..... D12/111  
D918,095 S \* 5/2021 Chambers ..... D12/118

**1 Claim, 8 Drawing Sheets**



(56)

**References Cited**

OTHER PUBLICATIONS

“Super73 S2 Galaxy Black” Super73., posted date Feb. 21, 2019 [online], [retrieved on Jun. 16, 2021]. Retrieved from the Internet <<https://www.voltes.nl/en/super73-s2-galaxy-black.html>> (Year: 2019).\*  
<https://moto-be.com/super73>, Aug. 2017.  
<https://super73.com/blogs/news/super-73-s1-rose-ave-starting-to-ship-out>, Jul. 2017.  
<https://super73.com/products/super73-s1-black>, Aug. 2017.  
<https://electricmotorcycles.news/the-super-73-scout/>, Aug. 2017.

\* cited by examiner

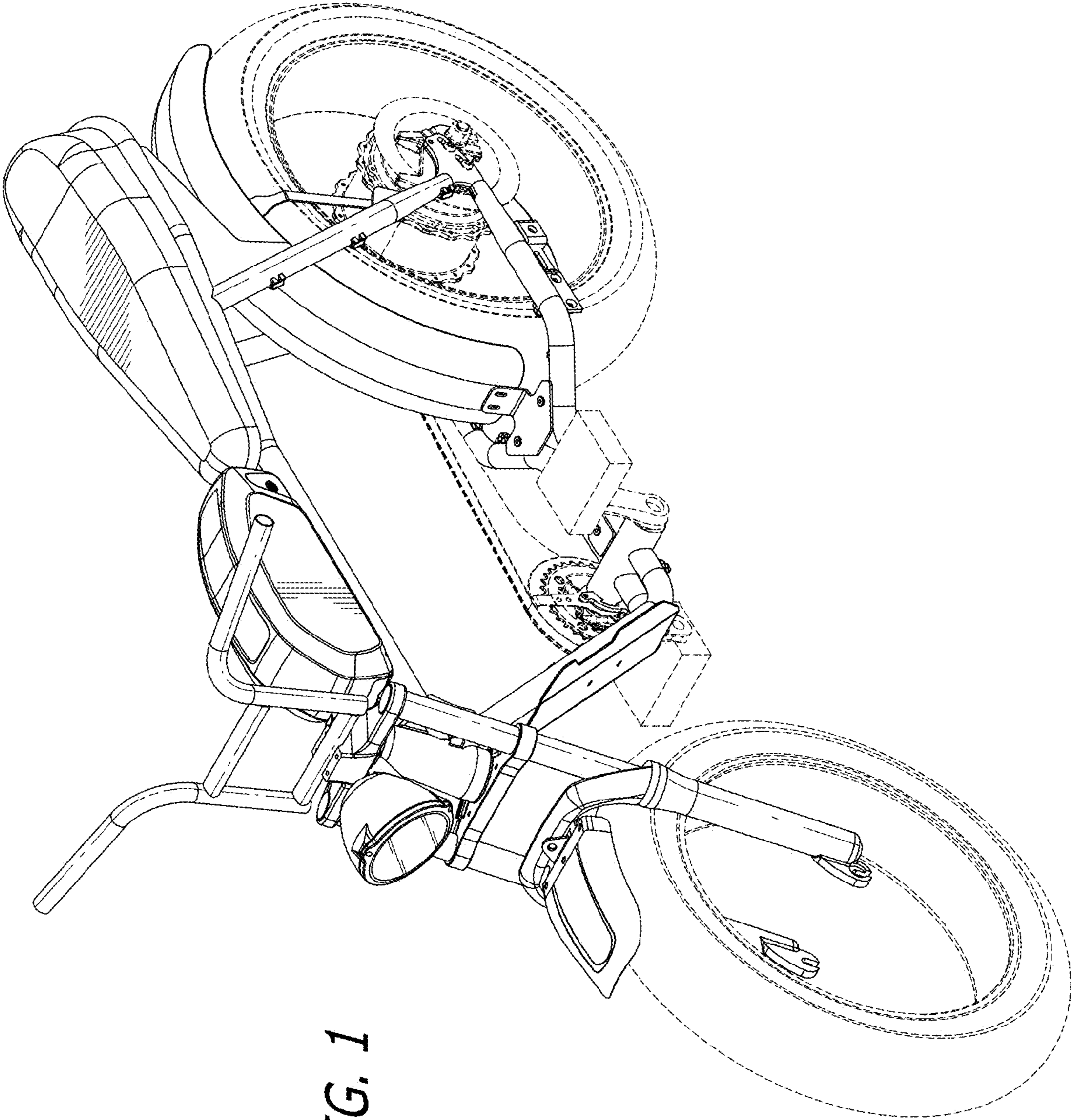
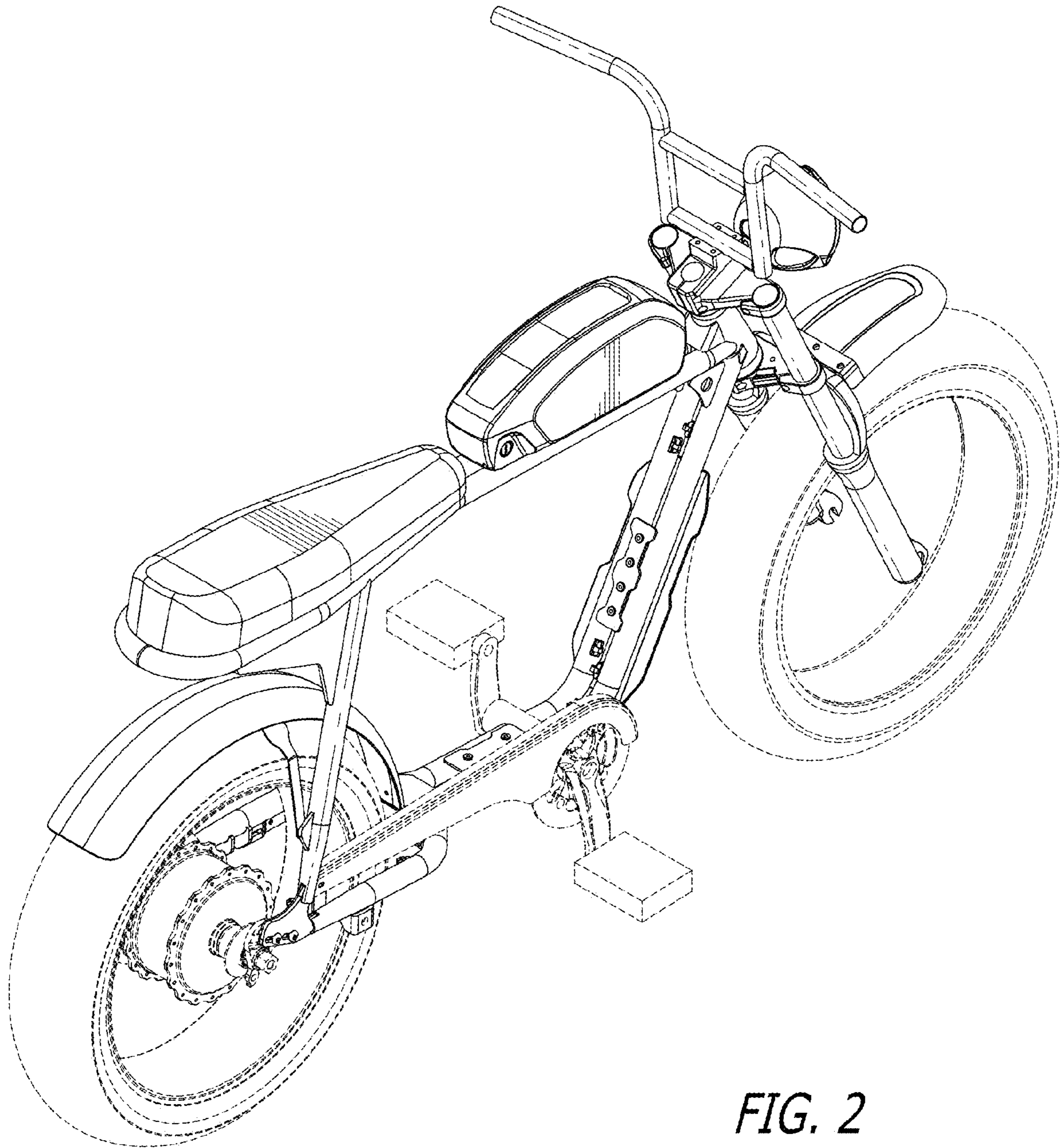


FIG. 1



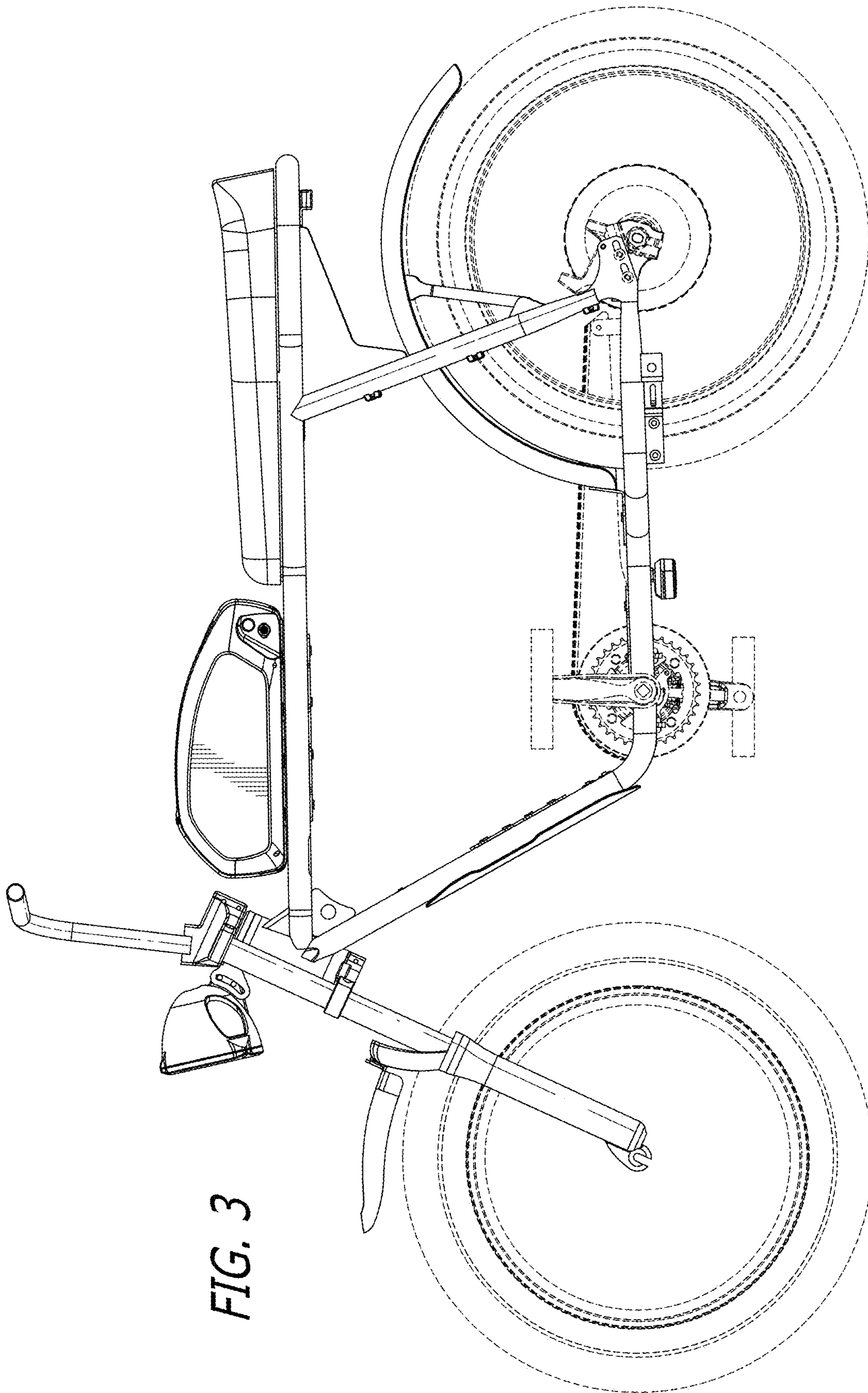


FIG. 3

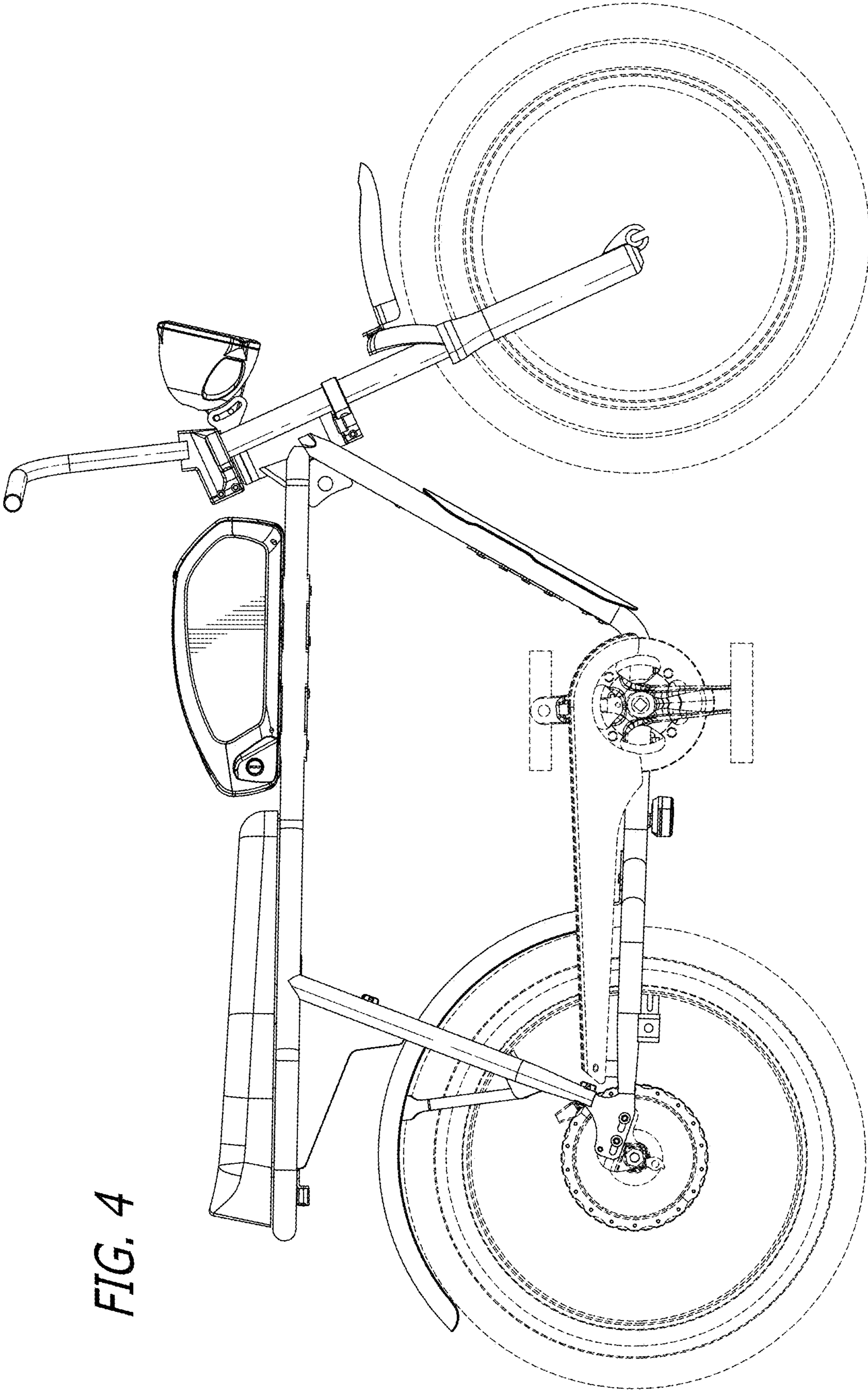
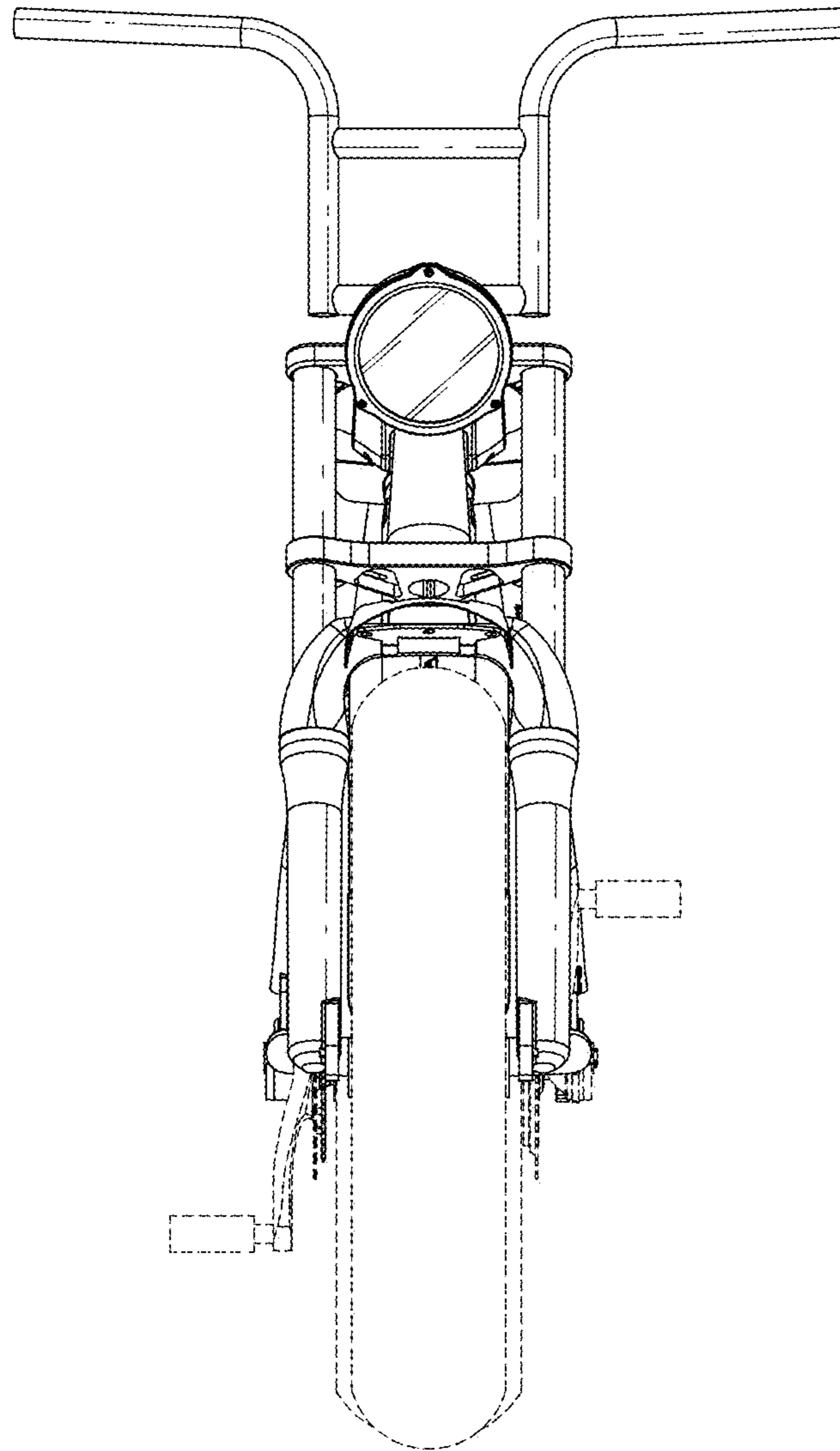
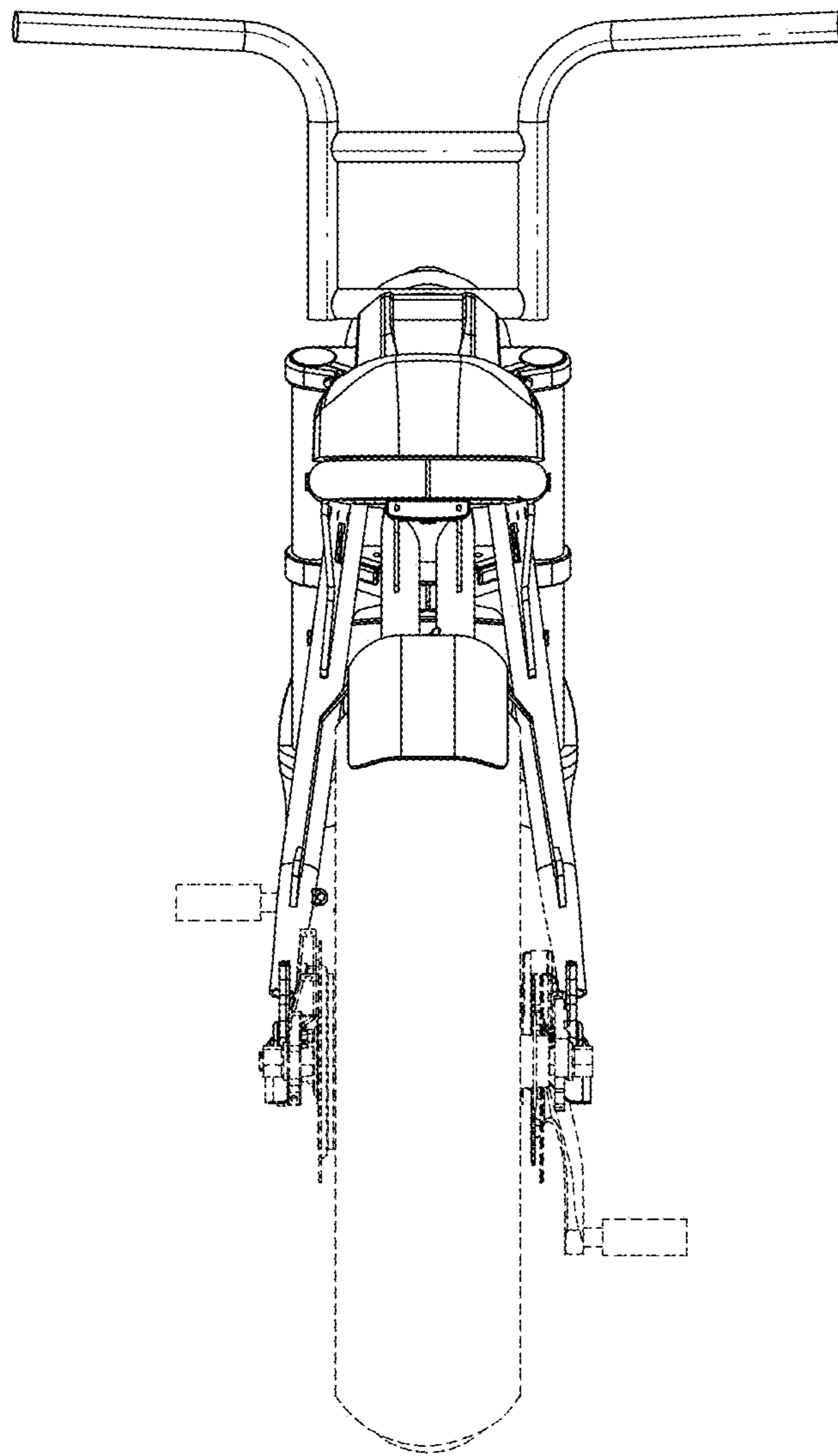


FIG. 4



*FIG. 5*



*FIG. 6*



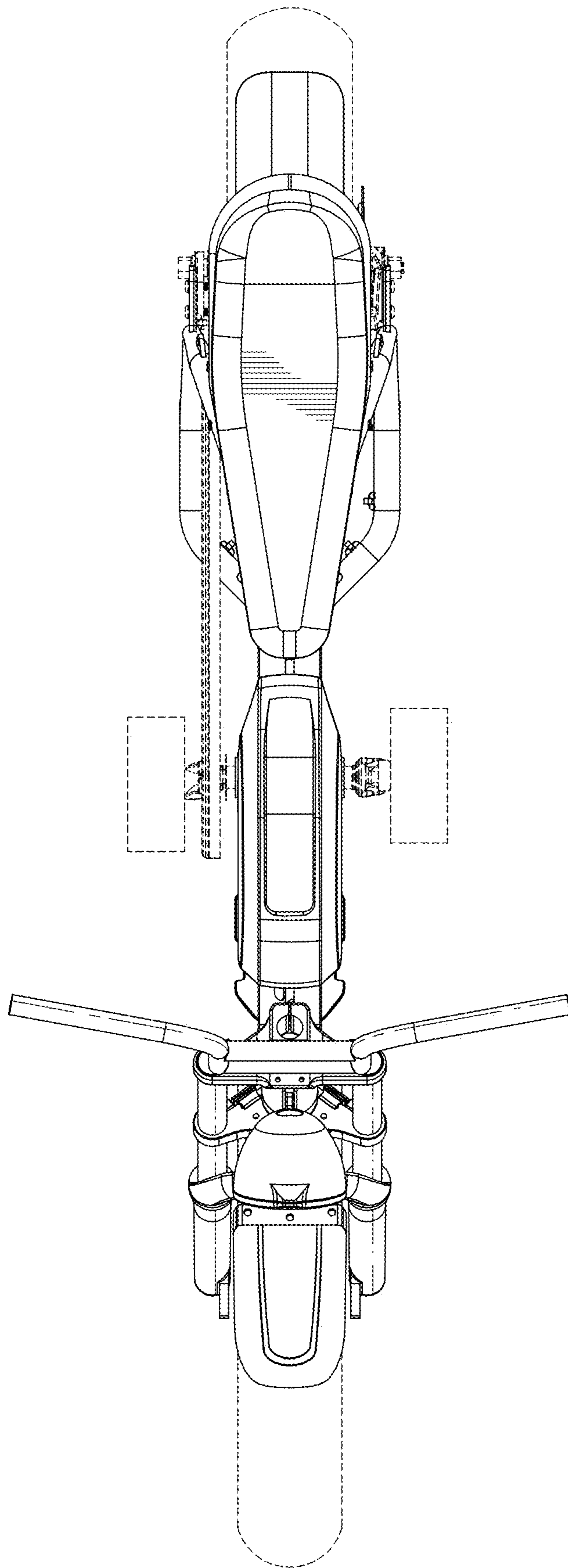


FIG. 7

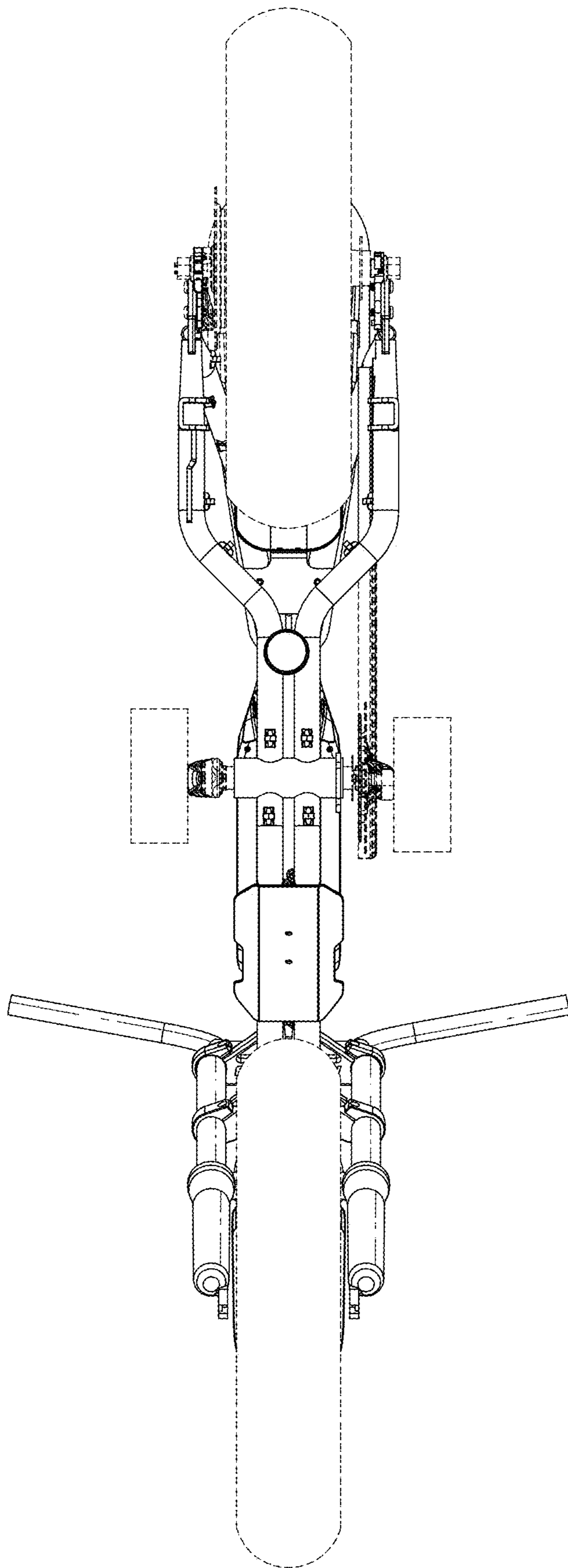


FIG. 8