



US00D939381S

(12) **United States Design Patent** (10) **Patent No.:** **US D939,381 S**  
**Parikh** (45) **Date of Patent:** **\*\* Dec. 28, 2021**

(54) **GEMSTONE SETTING**  
(71) Applicant: **ROSY BLUE JEWELRY, INC.**, New York, NY (US)  
(72) Inventor: **Birain Parikh**, New York, NY (US)  
(73) Assignee: **ROSY BLUE JEWELRY, INC.**, New York, NY (US)  
(\*\*) Term: **15 Years**  
(21) Appl. No.: **29/683,568**  
(22) Filed: **Mar. 14, 2019**  
(51) **LOC (13) Cl.** ..... **11-01**  
(52) **U.S. Cl.**  
USPC ..... **D11/92**  
(58) **Field of Classification Search**  
USPC ..... D11/1-6, 26, 34, 79, 86, 90, 91, 92  
CPC ..... A44C 17/00; A44C 17/001; A44C 17/005;  
A44C 17/02; A44C 17/0275; A44C  
17/0283; A44C 17/0291; A44C 1/00;  
A44C 25/001; A44C 17/04  
See application file for complete search history.

D783,446 S *	4/2017	Kothari	.....	D11/91
D798,188 S *	9/2017	Wong	.....	D11/92
D828,781 S *	9/2018	Bhansali	.....	D11/91
D829,125 S *	9/2018	Bhansali	.....	D11/91
D829,126 S *	9/2018	Bhansali	.....	D11/91
D840,866 S *	2/2019	Parikh	.....	D11/91
D845,822 S *	4/2019	Bhansali	.....	D11/91
D854,964 S *	7/2019	Golden	.....	D11/91
D872,634 S *	1/2020	Parikh	.....	D11/91
D887,304 S *	6/2020	Kedia	.....	D11/86
2018/0338589 A1 *	11/2018	Lin	.....	A44C 17/0275
2019/0021459 A1 *	1/2019	Lin	.....	A44C 17/02
2019/0133267 A1 *	5/2019	De Los Santos	.....	A44C 17/02
2019/0298012 A1 *	10/2019	Das	.....	A44C 17/02

\* cited by examiner

*Primary Examiner* — Llorellys Martinez  
(74) *Attorney, Agent, or Firm* — Phillips Nizer LLP

(57) **CLAIM**

The ornamental design for a gemstone setting, as shown and described.

**DESCRIPTION**

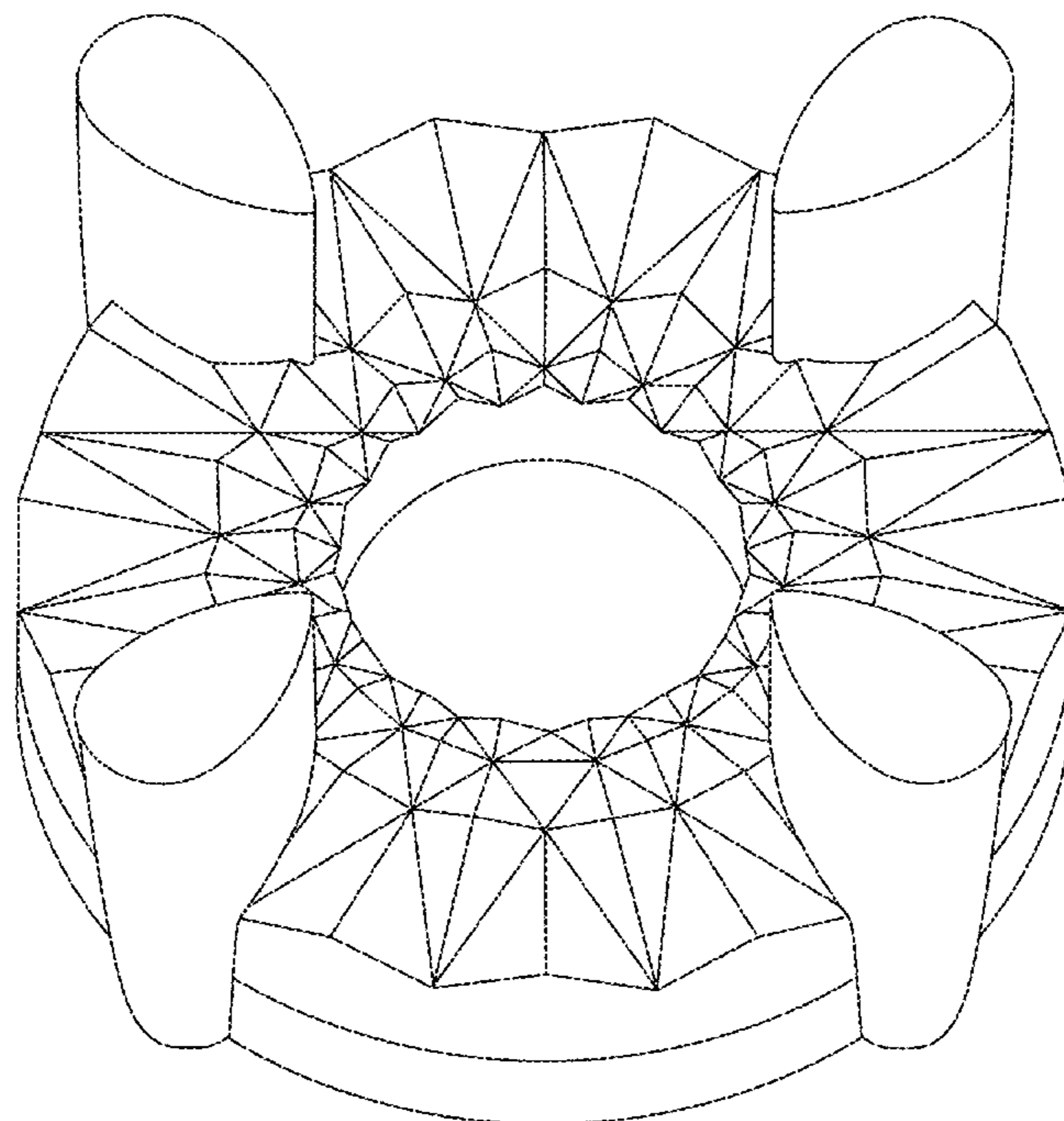
FIG. 1 is a top view of a gemstone setting showing my new design;  
FIG. 2 is a bottom view of the gemstone setting in FIG. 1;  
FIG. 3 is a top and front perspective view of the gemstone setting in FIG. 1;  
FIG. 4 is a right side view of the gemstone setting in FIG. 1;  
FIG. 5 is a left side view of the gemstone setting in FIG. 1;  
FIG. 6 is a rear view of the gemstone setting in FIG. 1; and,  
FIG. 7 is a front view of the gemstone setting in FIG. 1.  
The broken lines in the drawings illustrate portions of the gemstone setting that form no part of the claimed design.

**1 Claim, 7 Drawing Sheets**

(56) **References Cited**

U.S. PATENT DOCUMENTS

D54,976 S *	4/1920	Wittstein	.....	D11/91
D55,597 S *	7/1920	Felger	.....	D11/91
D57,217 S *	3/1921	Eliasoff et al.	.....	D11/92
D130,419 S *	11/1941	Schaeffer	.....	D11/92
D131,903 S *	4/1942	Roskin	.....	D11/92
D131,904 S *	4/1942	Roskin	.....	D11/92
D550,117 S *	9/2007	Swarovski	.....	D11/90
D687,337 S *	8/2013	Kothari	.....	D11/91
D693,726 S *	11/2013	Kothari	.....	D11/91
D728,412 S *	5/2015	Dobashi	.....	D11/91



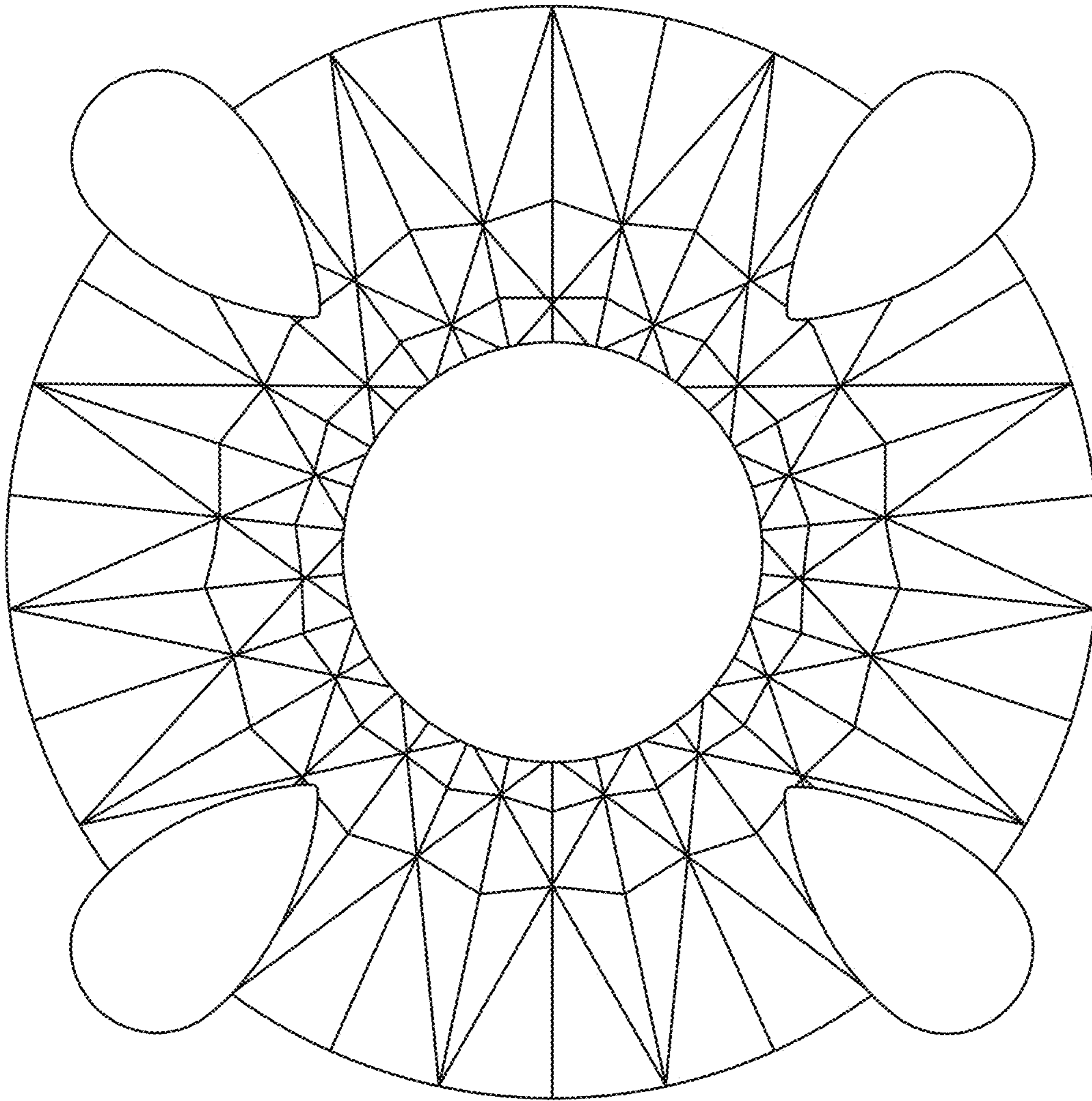


Fig . 1

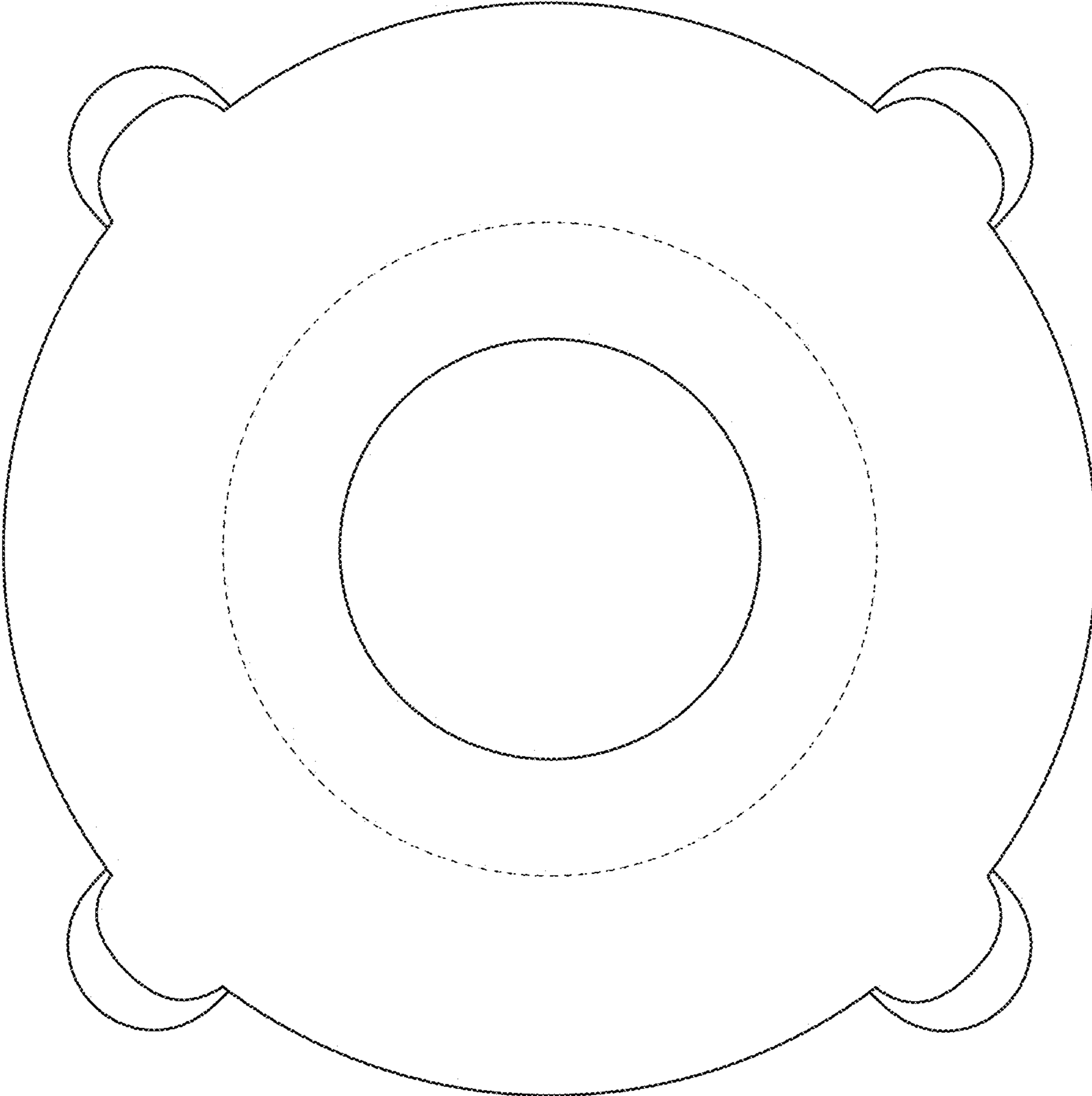


Fig . 2



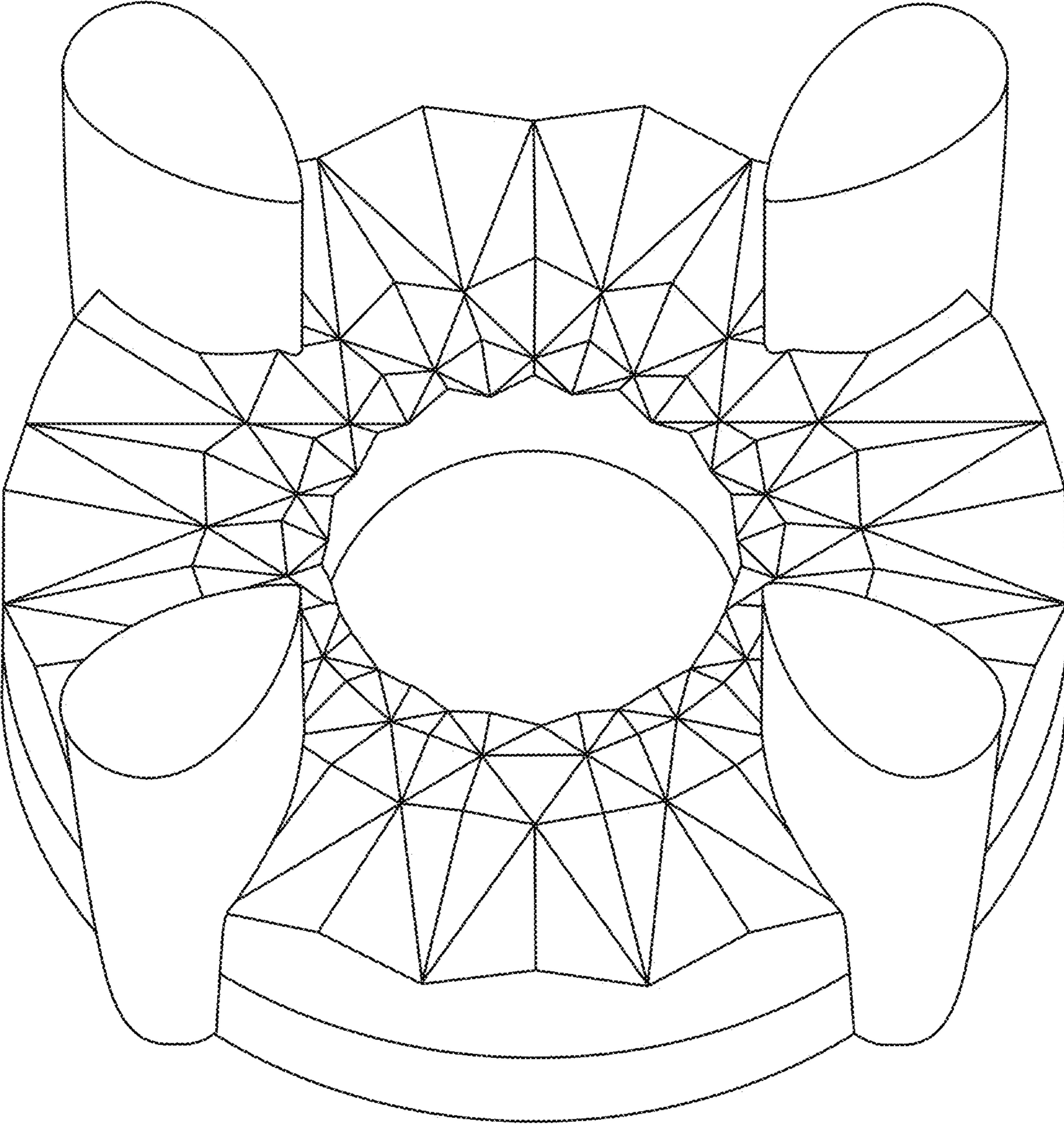


Fig . 3

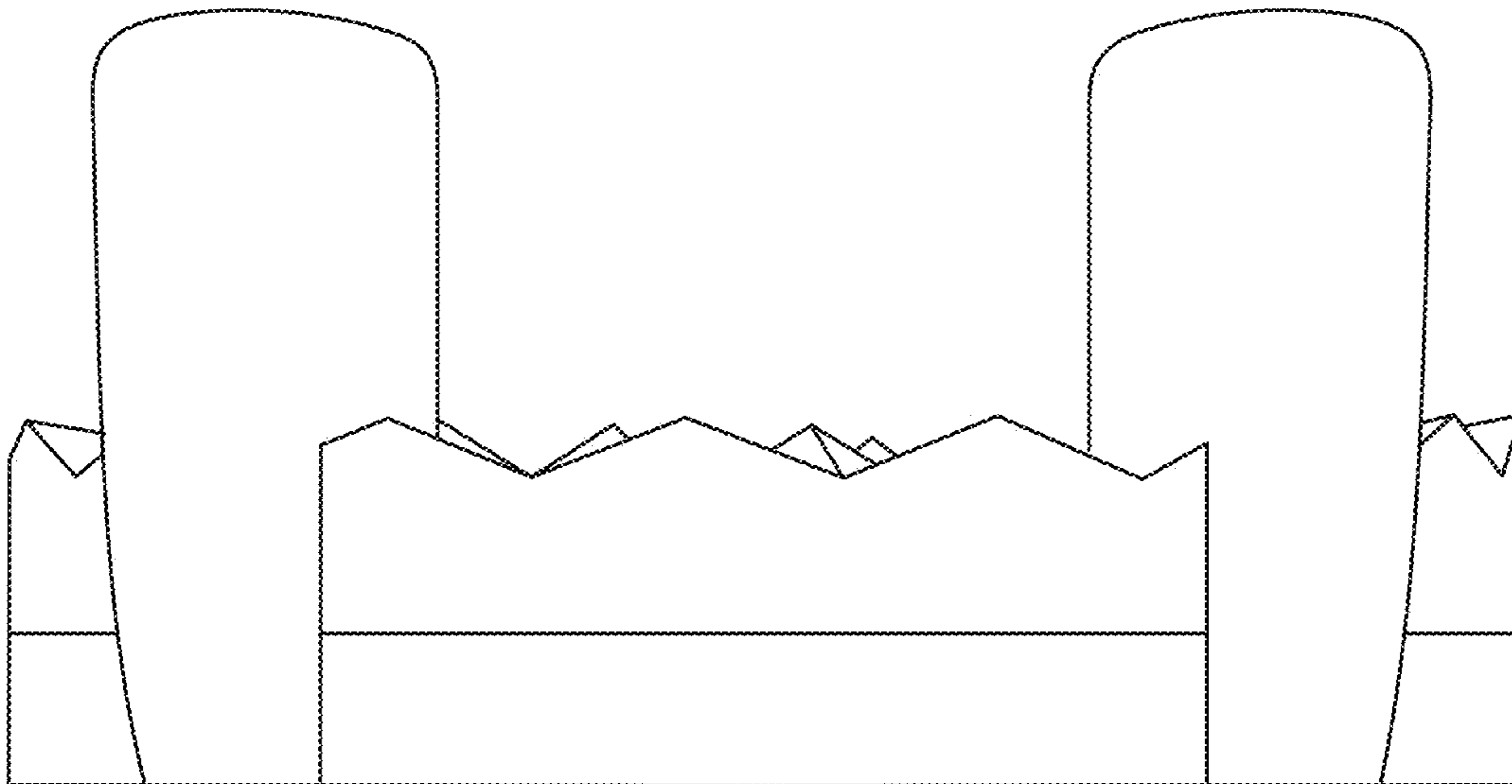


Fig . 4

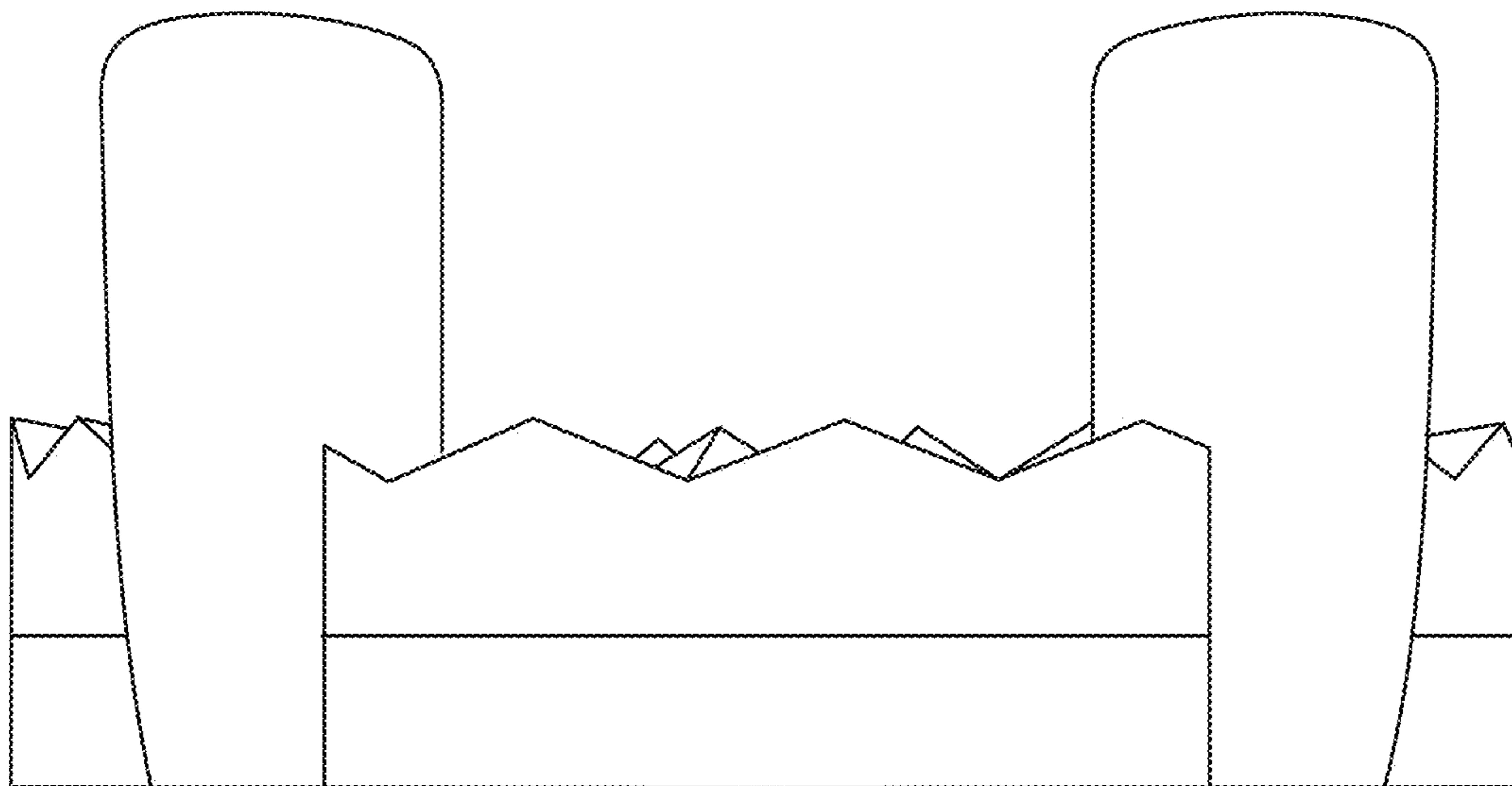


Fig . 5

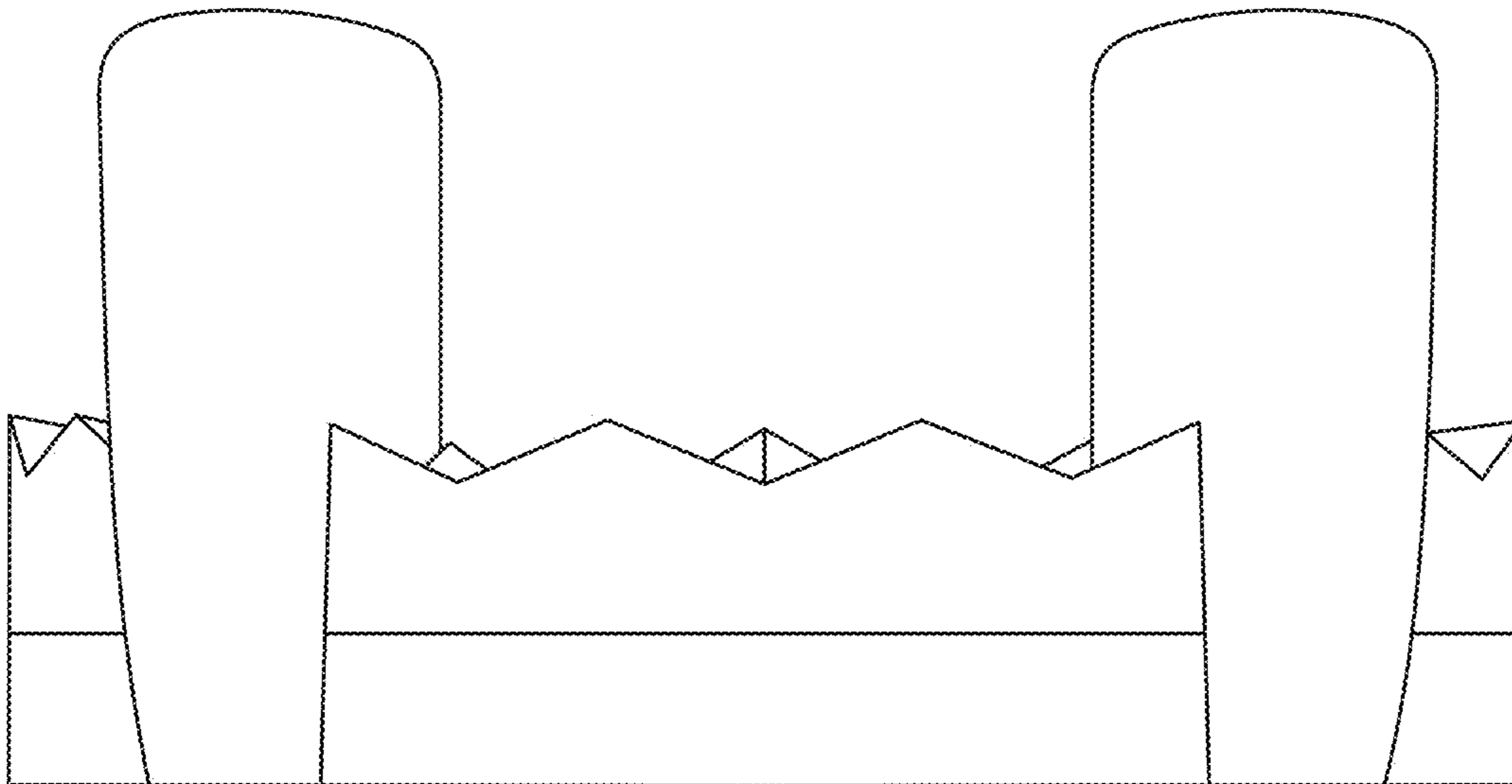


Fig . 6

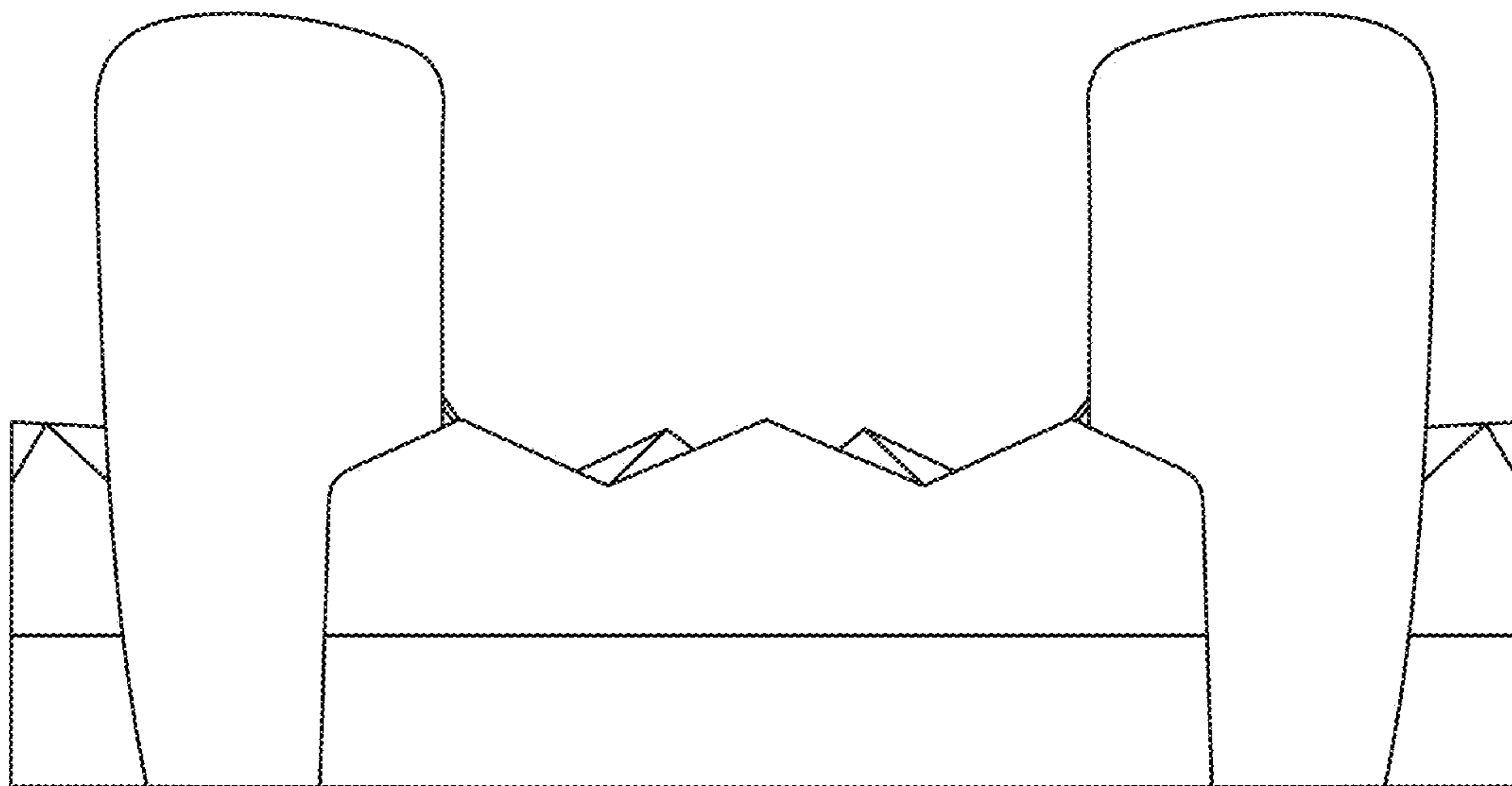


Fig . 7