



US00D939379S

(12) **United States Design Patent** (10) **Patent No.:** **US D939,379 S**
Fan (45) **Date of Patent:** **** Dec. 28, 2021**

(54) **PENDANT**
(71) Applicant: **Guangyao Fan**, Henan (CN)
(72) Inventor: **Guangyao Fan**, Henan (CN)
(**) Term: **15 Years**
(21) Appl. No.: **29/778,157**
(22) Filed: **Apr. 12, 2021**
(51) **LOC (13) Cl.** **11-01**
(52) **U.S. Cl.**
USPC **D11/81**
(58) **Field of Classification Search**
USPC D11/40-50, 61, 79-86, 91, 92, 1, 2, 3, 7,
D11/8
CPC A44C 25/00; A44C 25/001; A44C 25/002;
A44C 25/007; A44C 15/00; A44C
15/005; A44C 15/0055; A44C 1/00
See application file for complete search history.

D900,666 S * 11/2020 Gad D11/79
D900,667 S * 11/2020 Gad D11/79
D909,233 S 2/2021 Sivriere

OTHER PUBLICATIONS

https://www.amazon.com/Necklaces-Crystal-Rhinestone-Saturn-Necklace/dp/B08PSX3KGX/ref=sr_1_1_sspa?crd=2X3KWELCQVYB9&keywords=jupiter+necklace&qid=1636140825&srefix=jupiter+necklace%2Caps%2C77&sr=8-1-spons&psc=1&spLa=ZW5jcnlwdGVkUXVhbGlmaWVyPUEzRldQVEpQMfeyRk9WJmVuY3J5cHRIZEikPUEwNDE5NzczMTFRMUhHVlIQ3QlhVMiZlbnNyeXB0ZWRBZEikPUEwMjgyNTQ1WTZXSUFYU1RSVTEyJndpZGldE5hbWU9c3BfYXRmJmFjdGlvbj1jbGlja1JlZGlyZWNoJmRvTm90TG9nQ2xpY2s9dHJlZQ==. Retrieved Nov. 5, 2021. Posted online Dec. 6, 2020.*

* cited by examiner

Primary Examiner — Melanie Pellegrini

(56) **References Cited**

U.S. PATENT DOCUMENTS

D23,982 S *	2/1895	Saart	D11/83
D28,884 S *	6/1898	Williams	D11/96
D45,354 S *	3/1914	Kasoff	D99/34
D73,361 S *	8/1927	Kislinger	D10/30
D152,269 S *	1/1949	Kasoff	D11/44
D160,610 S *	10/1950	Cluin	D11/53
D192,093 S *	1/1962	Schneider	D10/36
D228,516 S *	10/1973	Brooks	D11/79
D604,658 S *	11/2009	Castaline	D11/79
D702,586 S *	4/2014	Pasquetti	D11/79
9,888,749 B1 *	2/2018	Kawakami	A44C 25/001
D815,975 S *	4/2018	Silvestri	D11/79
D824,278 S *	7/2018	Sallard	D11/79
D881,062 S *	4/2020	Gad	D11/79
D900,664 S *	11/2020	Gad	D11/79
D900,665 S *	11/2020	Gad	D11/79

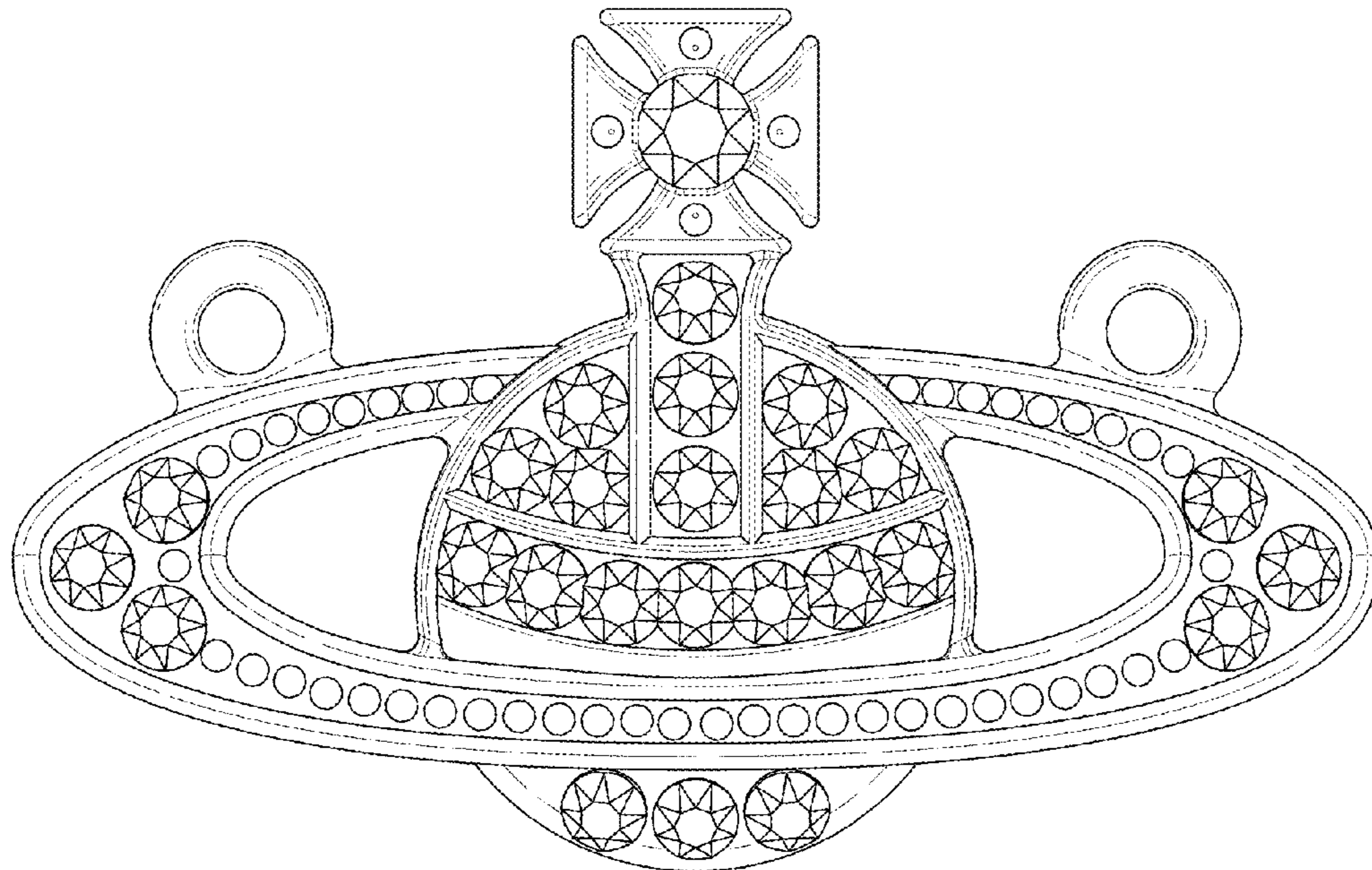
(57) **CLAIM**

The ornamental design for a pendant, as shown and described.

DESCRIPTION

FIG. 1 is a front and top perspective view of a pendant, showing my new design;
FIG. 2 is a rear and bottom perspective view thereof;
FIG. 3 is a front elevation view thereof;
FIG. 4 is a rear elevation view thereof;
FIG. 5 is a left side elevation view thereof;
FIG. 6 is a right side elevation view thereof;
FIG. 7 is a top plan view thereof; and,
FIG. 8 is a bottom plan view thereof.

1 Claim, 8 Drawing Sheets



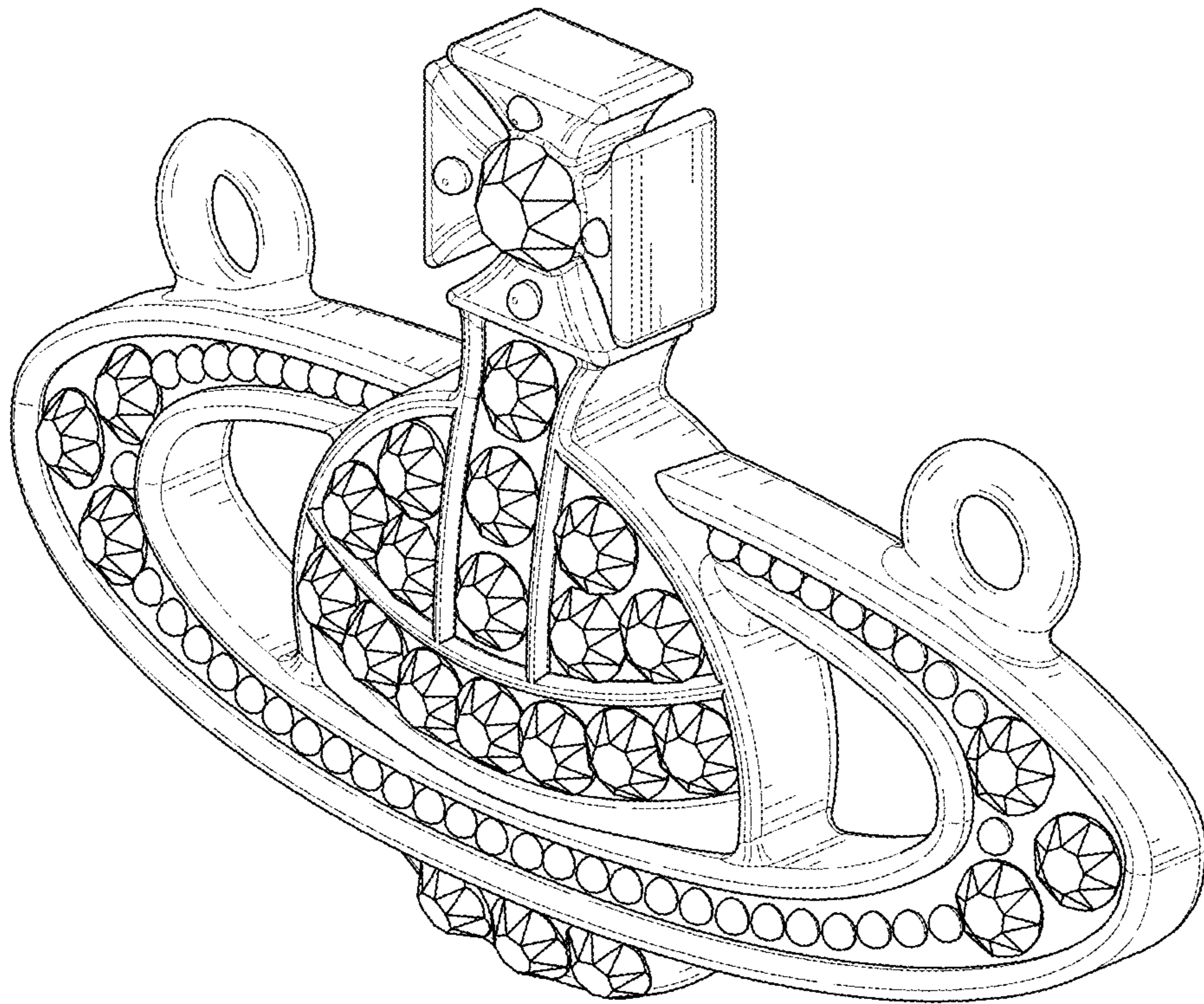


FIG. 1

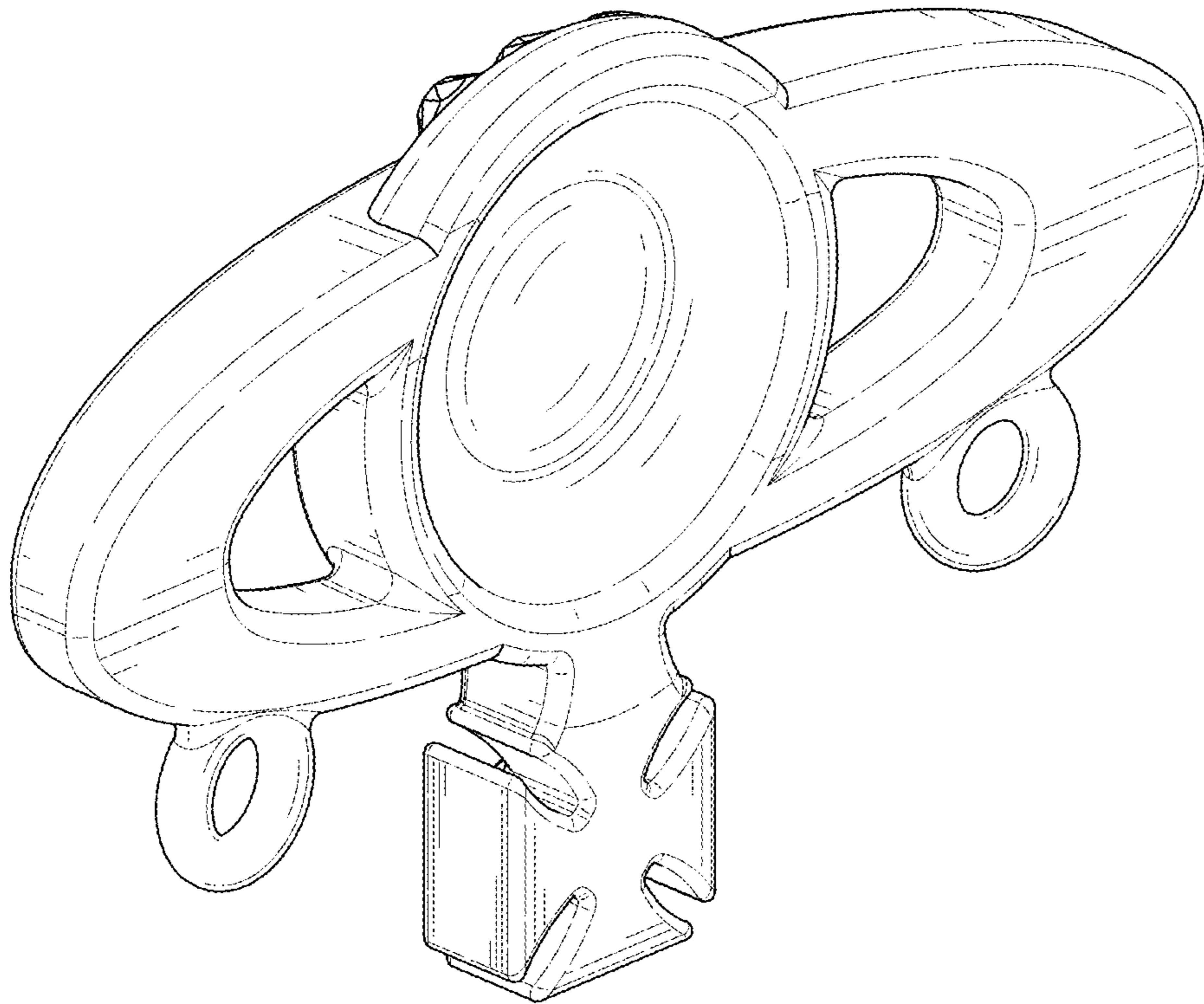


FIG. 2

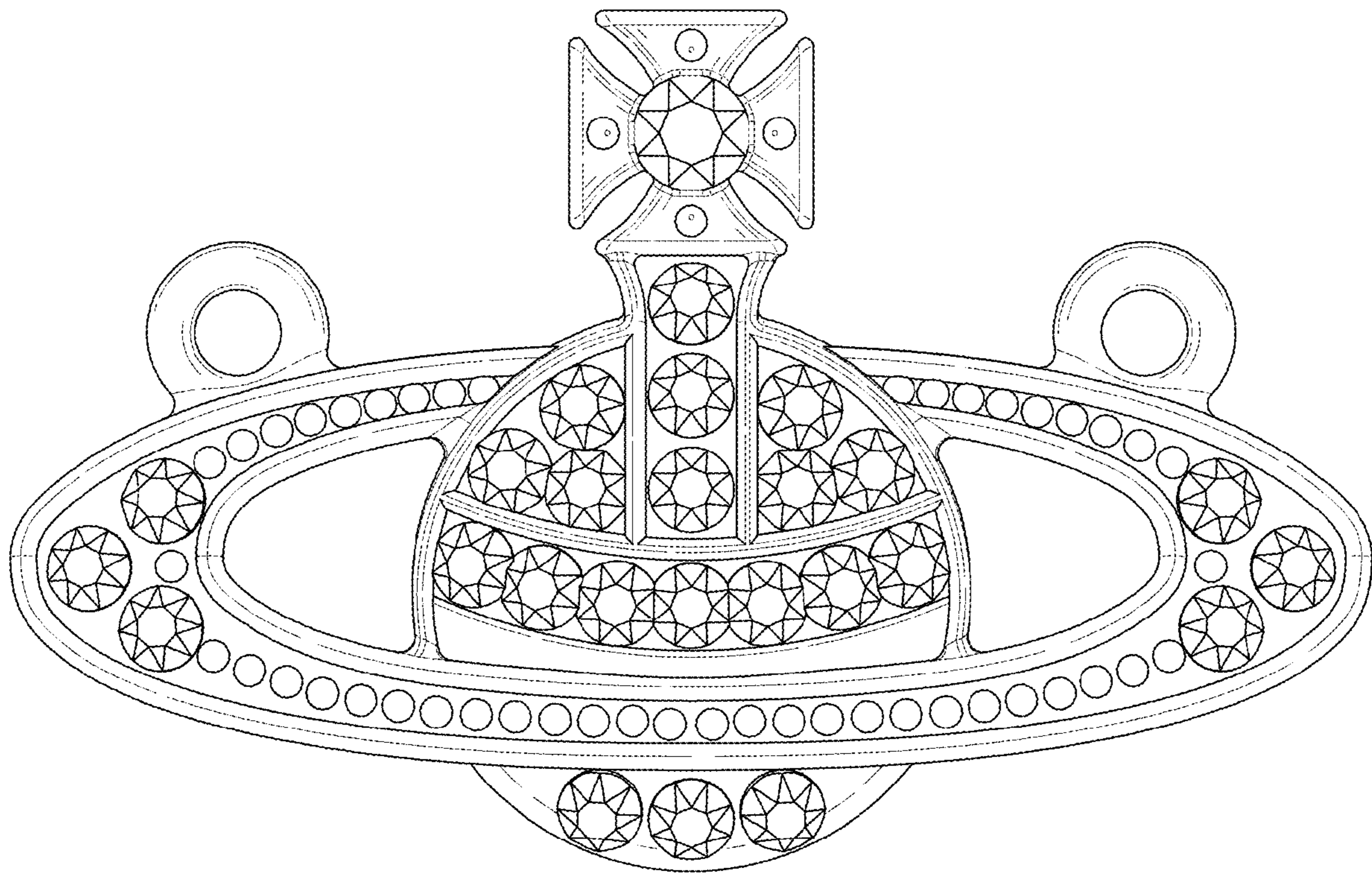


FIG. 3

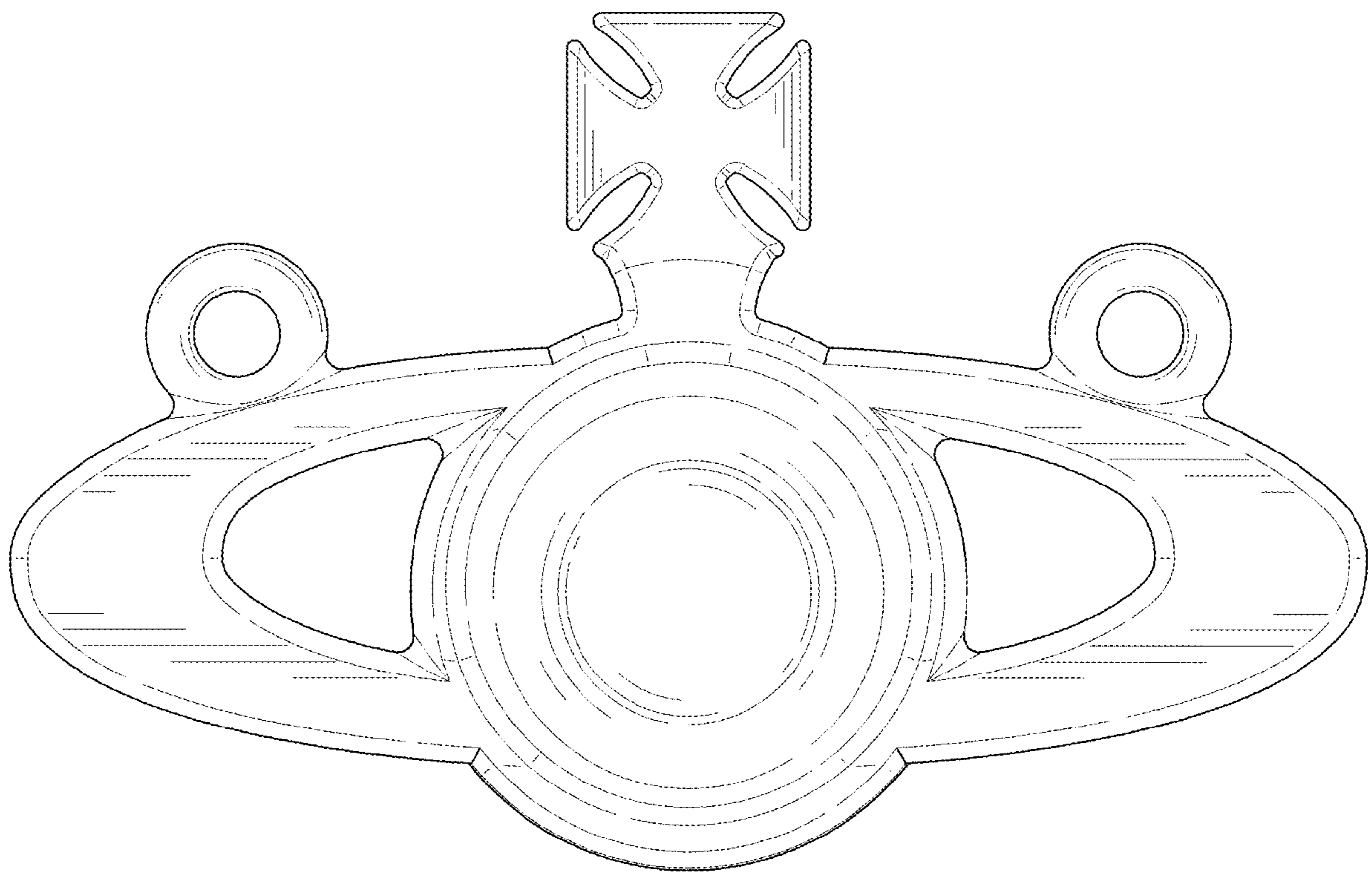


FIG. 4

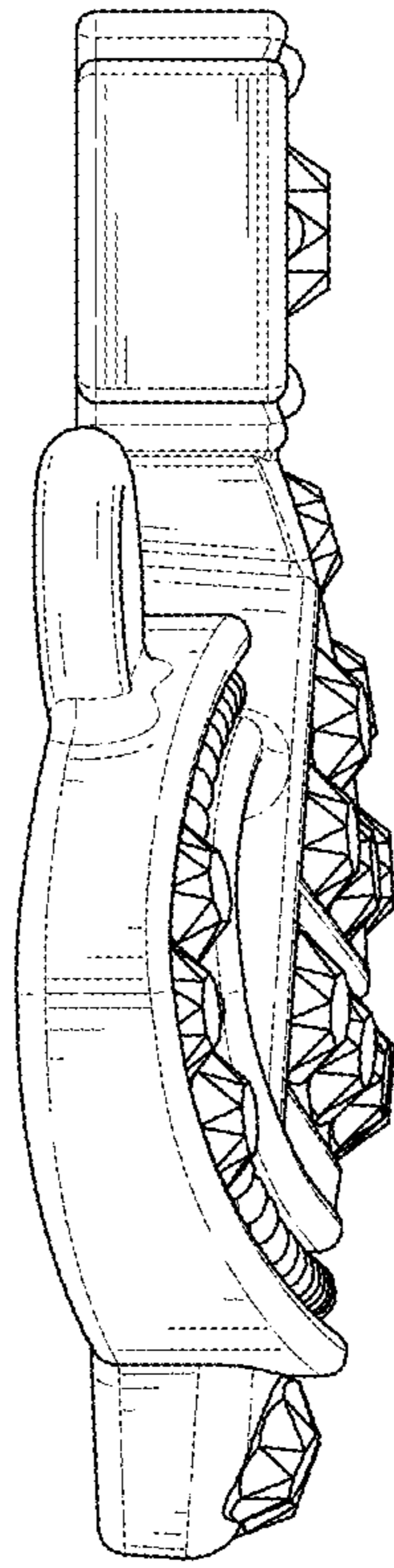


FIG. 5

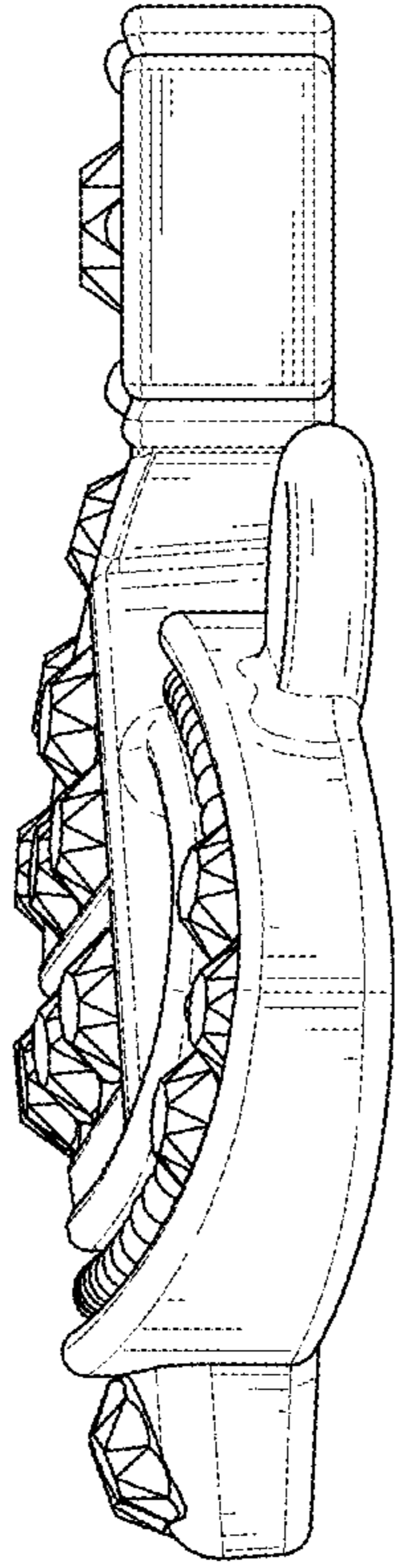


FIG. 6

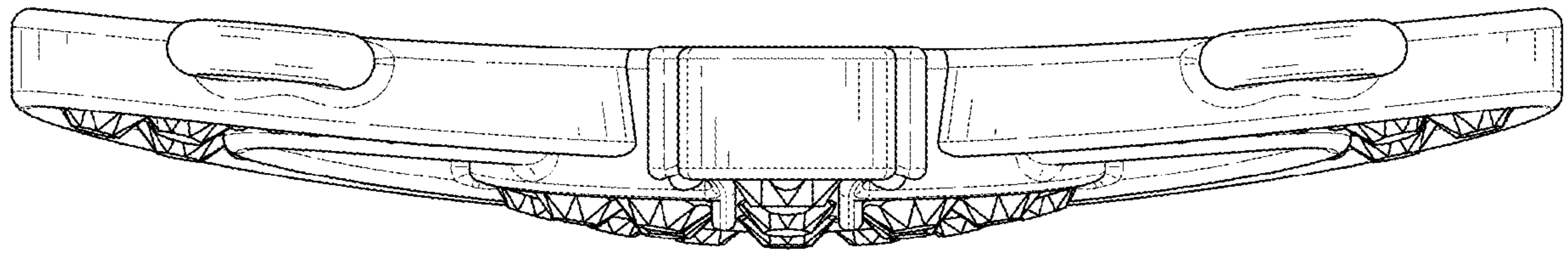


FIG. 7

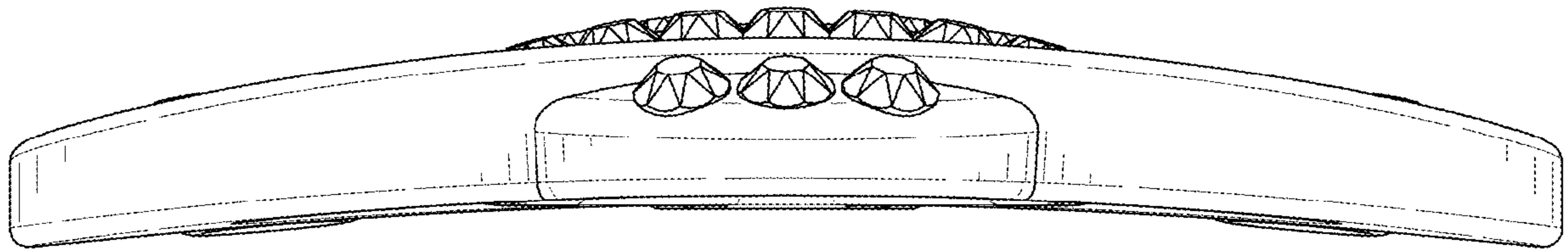


FIG. 8