



US00D939377S

(12) **United States Design Patent** (10) **Patent No.:** **US D939,377 S**
Huang (45) **Date of Patent:** **** *Dec. 28, 2021**

(54) **PENDANT**

(71) Applicant: **Guangzhou BaiShen Online Trading Co., Ltd, Guangzhou (CN)**

(72) Inventor: **Gang Huang, Guangzhou (CN)**

(*) Notice: This patent is subject to a terminal disclaimer.

(**) Term: **15 Years**

(21) Appl. No.: **29/761,216**

(22) Filed: **Dec. 8, 2020**

(51) **LOC (13) Cl.** **11-01**

(52) **U.S. Cl.**
USPC **D11/79**

(58) **Field of Classification Search**
USPC D11/40–50, 61, 79–86, 91, 92, 1, 2, 3, 7, D11/8
CPC A44C 25/00; A44C 25/001; A44C 25/002;
A44C 25/007; A44C 15/00; A44C 15/005; A44C 15/0055; A44C 1/00
See application file for complete search history.

(56) **References Cited**

U.S. PATENT DOCUMENTS

D101,105 S *	9/1936	Chernow	D11/45
4,028,908 A *	6/1977	Michael	A44C 25/00 63/23
D429,474 S *	8/2000	Stein	D11/79
D550,582 S *	9/2007	Gruosi-Scheufele	D11/43
D551,113 S *	9/2007	Shin	D11/79

D580,812 S *	11/2008	Grassi Damiani	D11/40
D634,230 S *	3/2011	Arlanda	D11/1
D654,391 S	2/2012	Minkkinen et al.		
D660,745 S *	5/2012	Papadimitriou	D11/43
D692,343 S	10/2013	Hardy		
D718,651 S *	12/2014	Yatsugi-Kang	D11/79
D725,537 S *	3/2015	Wellendorff	D11/79
D725,544 S	3/2015	Yatsugi-Kang		
D742,276 S *	11/2015	Behney	D11/81
D766,124 S *	9/2016	Ochoa	D11/80
D780,619 S	3/2017	Rivière		
D808,846 S	1/2018	Kwon		
D845,819 S	4/2019	Buccellati		
D847,688 S *	5/2019	Park	D11/79
D913,145 S *	3/2021	Schwartz	D11/79
2019/0298014 A1 *	10/2019	Kim	A44C 25/001

* cited by examiner

Primary Examiner — Melanie Pellegrini

(74) *Attorney, Agent, or Firm* — Rumit Ranjit Kanakia

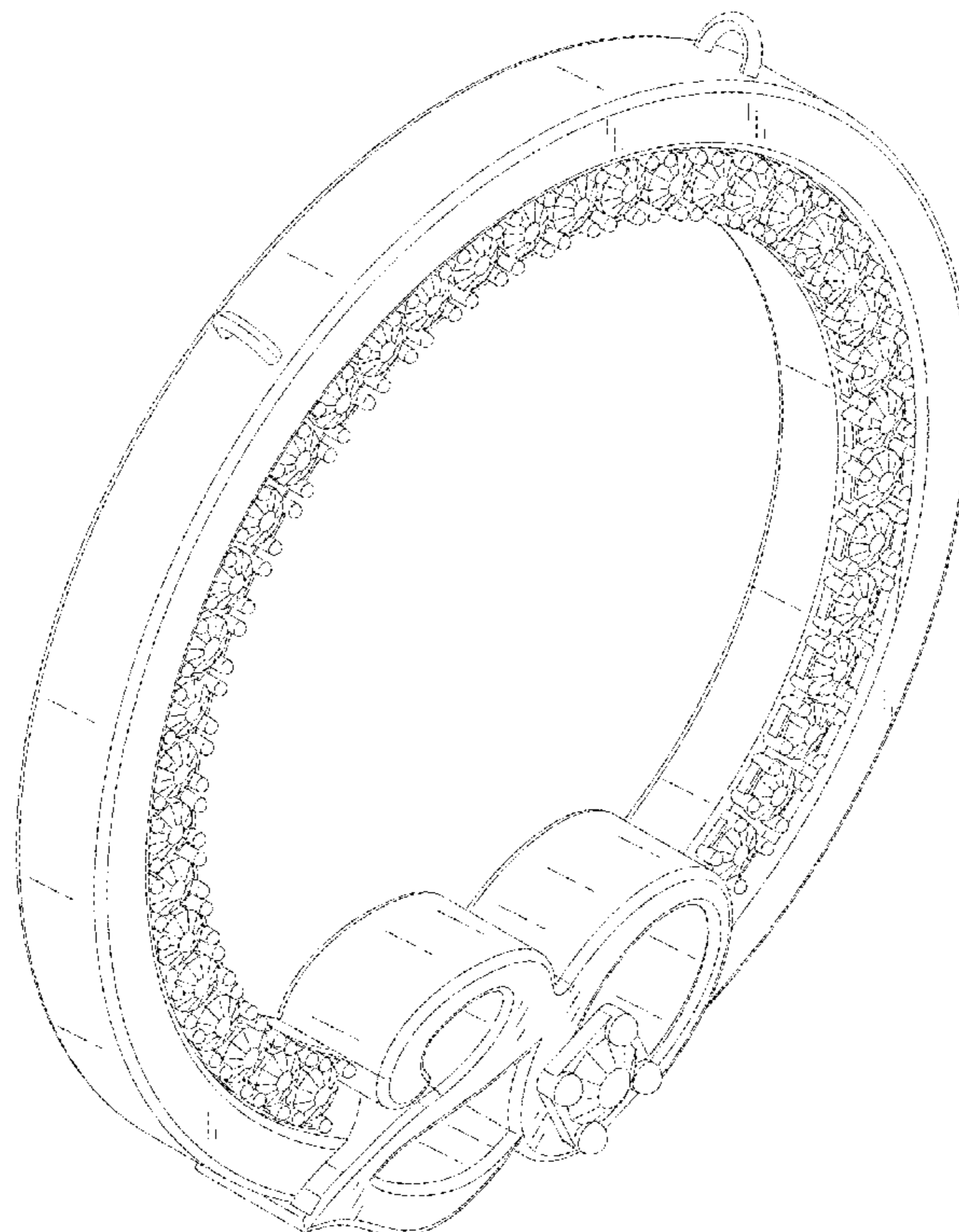
(57) **CLAIM**

I claim the ornamental design for a pendant, as shown and described.

DESCRIPTION

FIG. 1 is a Perspective view of a pendant showing my new design;
FIG. 2 is a Front view thereof;
FIG. 3 is a Back view thereof;
FIG. 4 is a Right-side view thereof;
FIG. 5 is a Left-side view thereof;
FIG. 6 is a Top view thereof; and,
FIG. 7 is a Bottom view thereof.

1 Claim, 6 Drawing Sheets



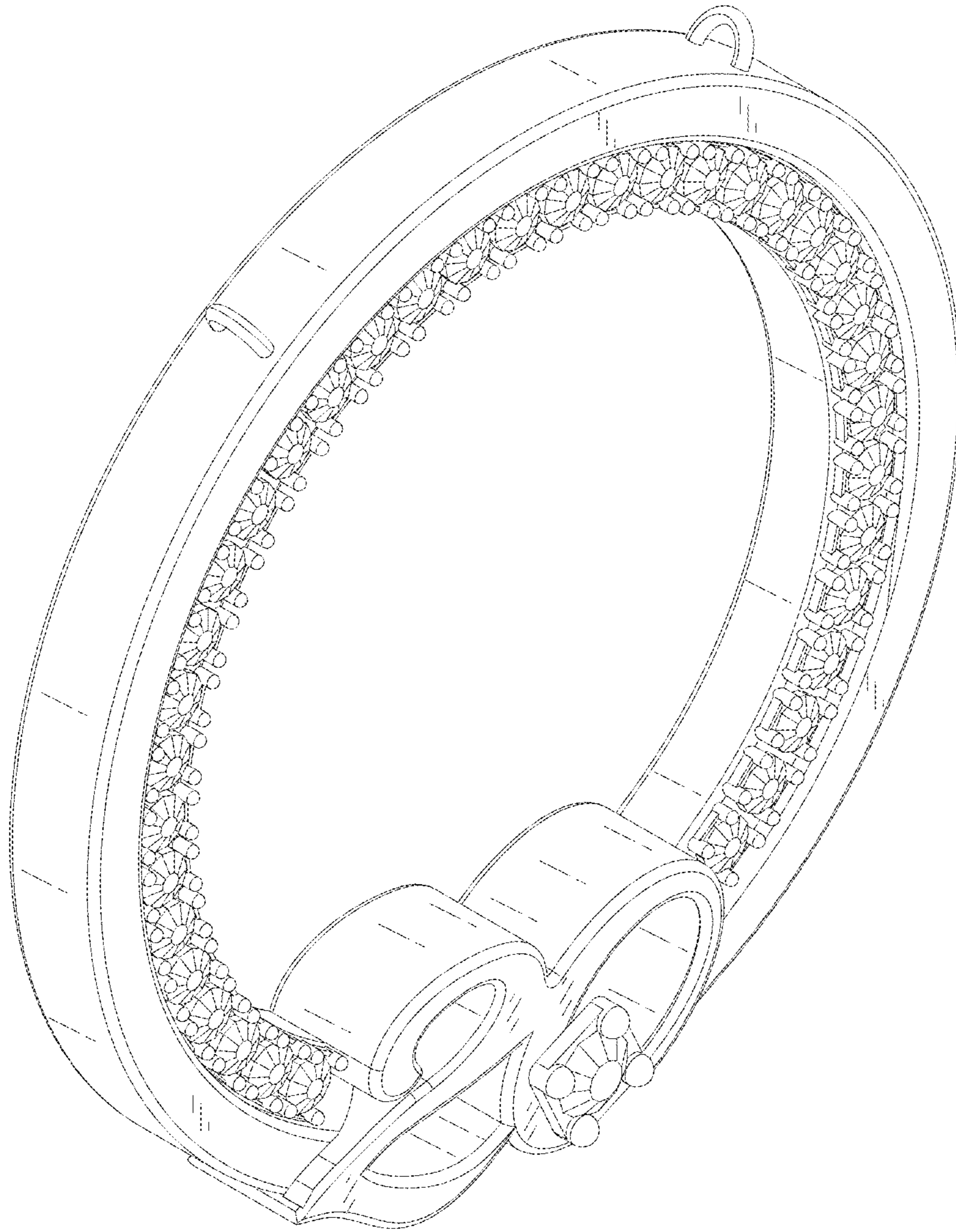


FIG. 1

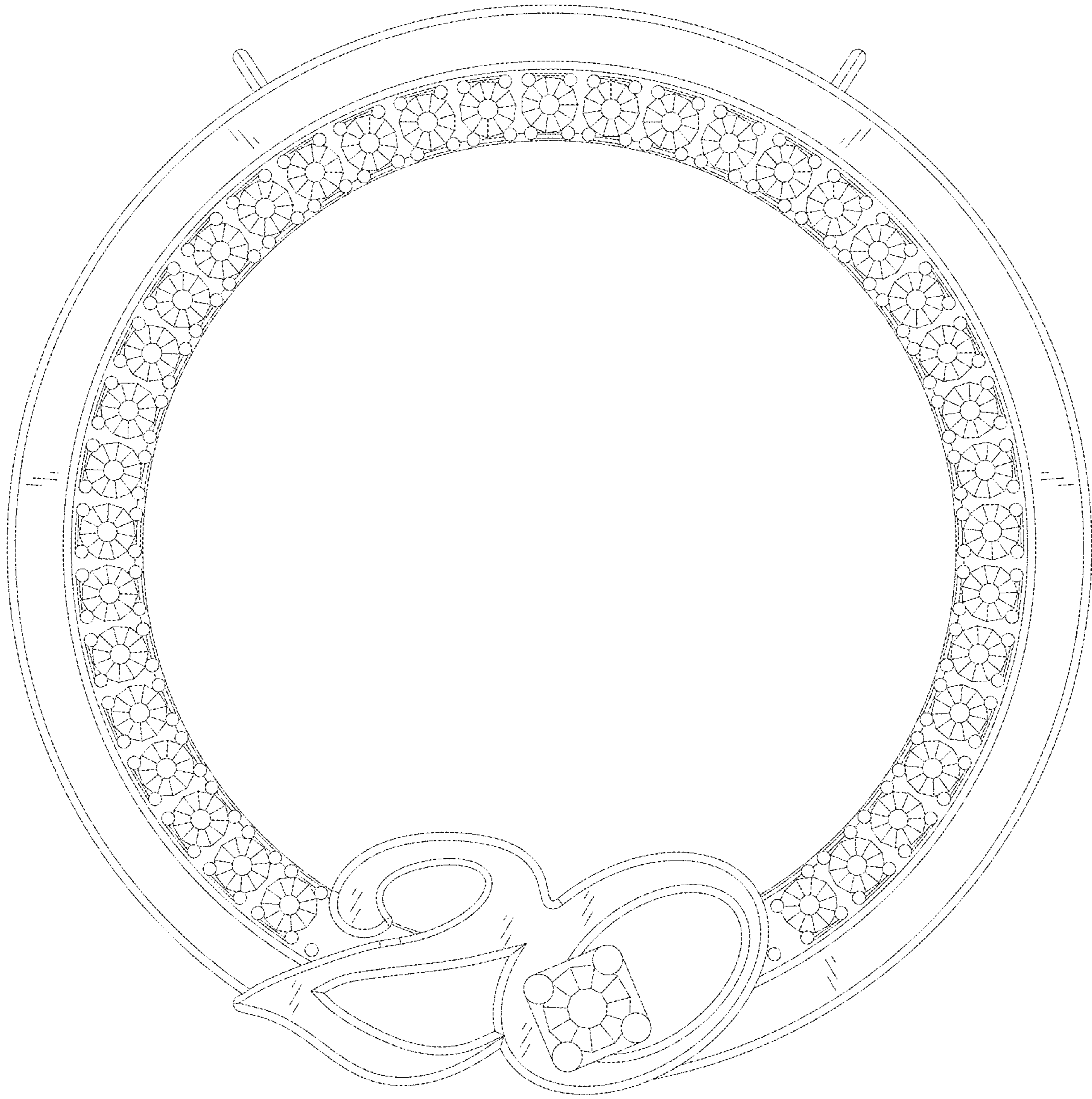


FIG. 2

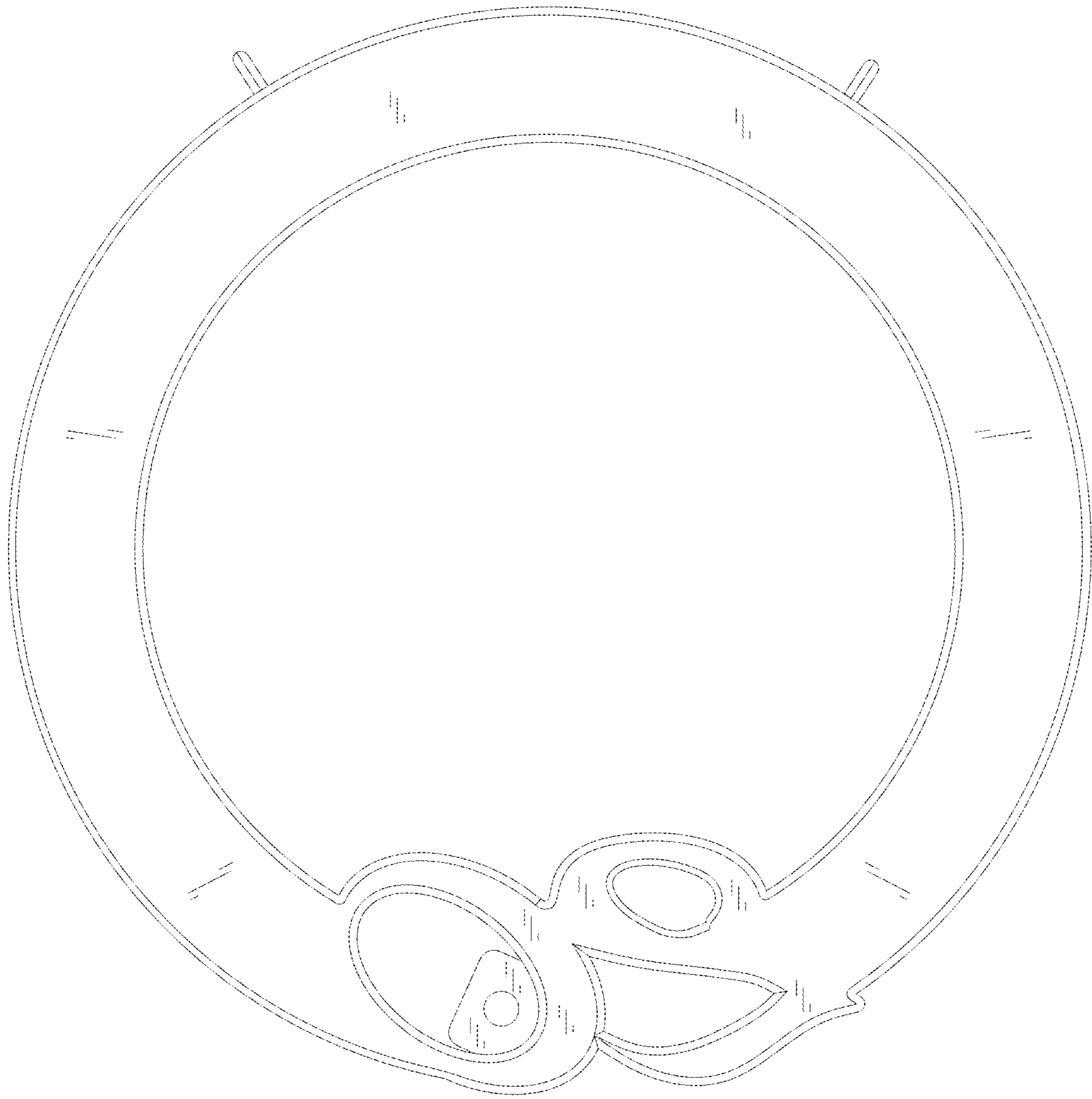


FIG. 3

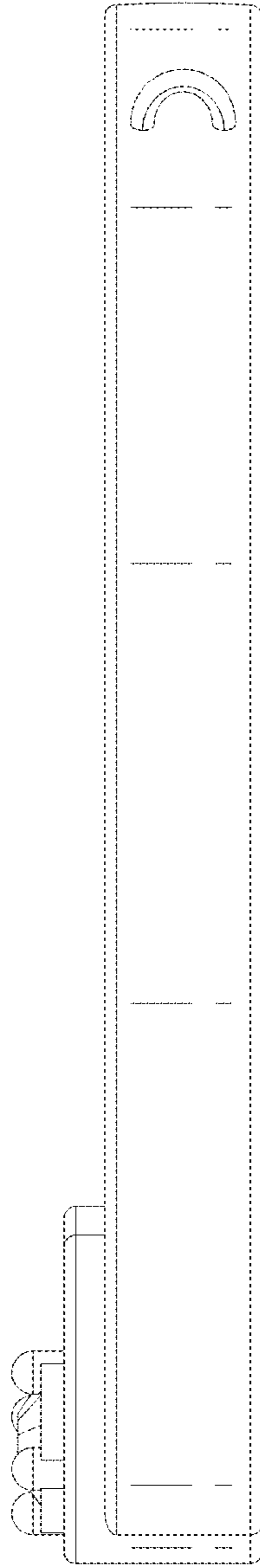


FIG. 4

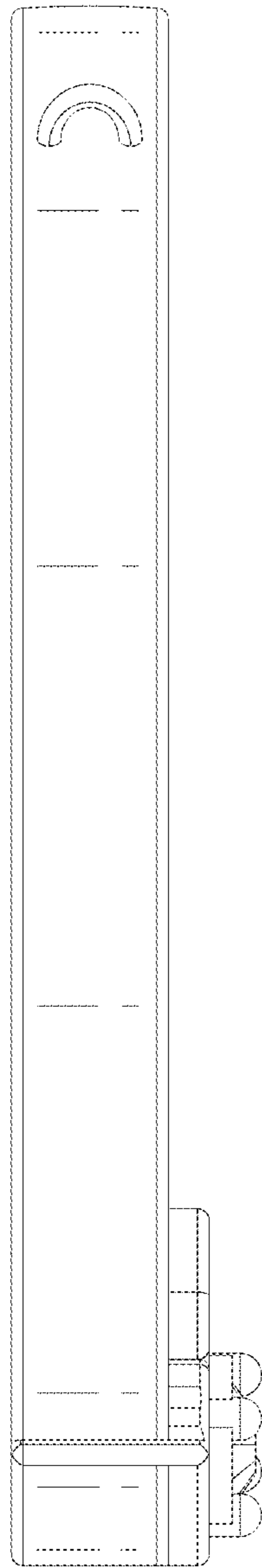


FIG. 5

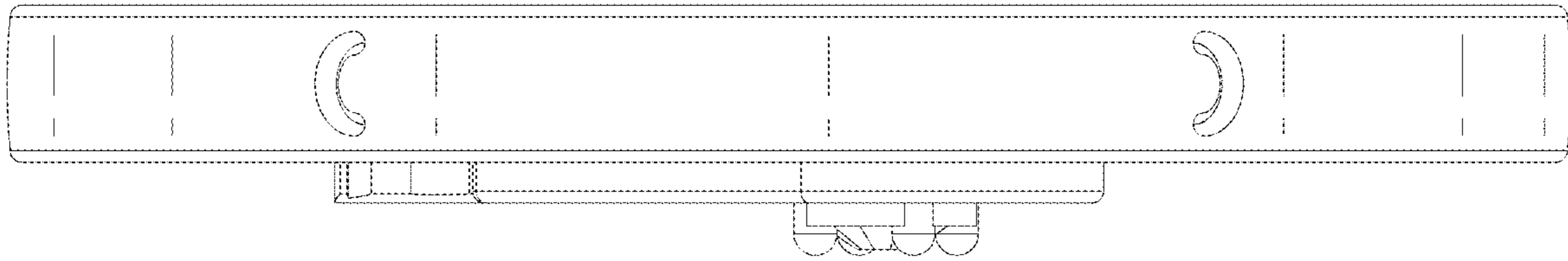


FIG. 6

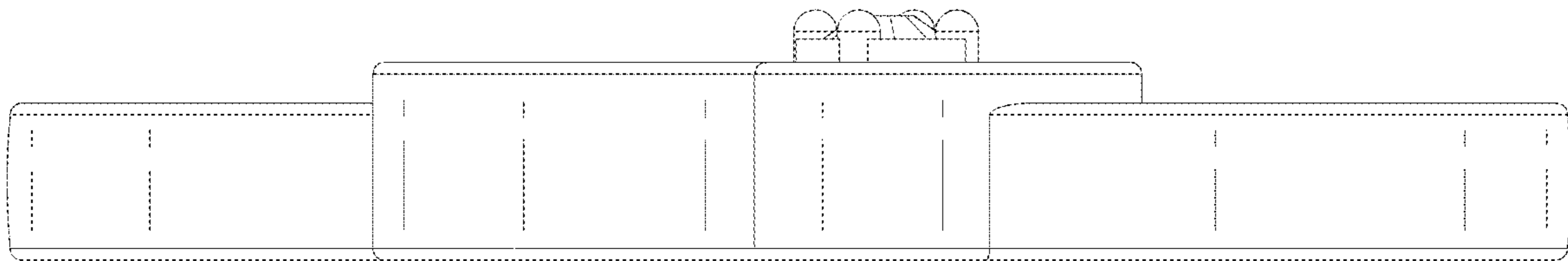


FIG. 7