



US00D939371S

(12) **United States Design Patent** (10) **Patent No.:** **US D939,371 S**
Wolff (45) **Date of Patent:** **** Dec. 28, 2021**

(54) **FIRE ALARM**
(71) Applicant: **Lupus-Electronics GmbH**, Landau (DE)
(72) Inventor: **Matthias Wolff**, Berlin (DE)
(73) Assignee: **Lupus Electronics GmbH**, Landau (DE)

D859,350 S * 9/2019 Pedersen D14/149
D885,225 S * 5/2020 Liu D10/106.5
D886,759 S * 6/2020 Bailey D14/149
D901,427 S * 11/2020 Zhang D14/149
D911,198 S * 2/2021 Zhang D10/106.5
D911,862 S * 3/2021 Zhang D10/106.5
D912,556 S * 3/2021 Zhang D10/106.5
2015/0339896 A1 * 11/2015 Stagg G08B 17/10
340/521

(**) Term: **15 Years**

* cited by examiner

(21) Appl. No.: **35/510,585**

Primary Examiner — George D. Kirschbaum

(22) Filed: **Sep. 15, 2020**

(74) *Attorney, Agent, or Firm* — Marshall & Melhorn, LLC

(80) **Hague Agreement Data**

Int. Filing Date: **Sep. 15, 2020**
Int. Reg. No.: **DM/210672**
Int. Reg. Date: **Sep. 15, 2020**
Int. Reg. Pub. Date: **Oct. 16, 2020**

(57) **CLAIM**

The ornamental design for fire alarm, as shown and described.

(30) **Foreign Application Priority Data**

Aug. 20, 2020 (EM) 008132930

(51) **LOC (13) Cl.** **10-05**

(52) **U.S. Cl.**
USPC **D10/106.1**

(58) **Field of Classification Search**
USPC D10/106.1, 106.2, 106.5; D14/149
CPC G08B 17/10
See application file for complete search history.

DESCRIPTION

The patent or application file contains at least one drawing executed in color. Copies of this patent or patent application publication with color drawing(s) will be provided by the Office upon request and payment of the necessary fee.

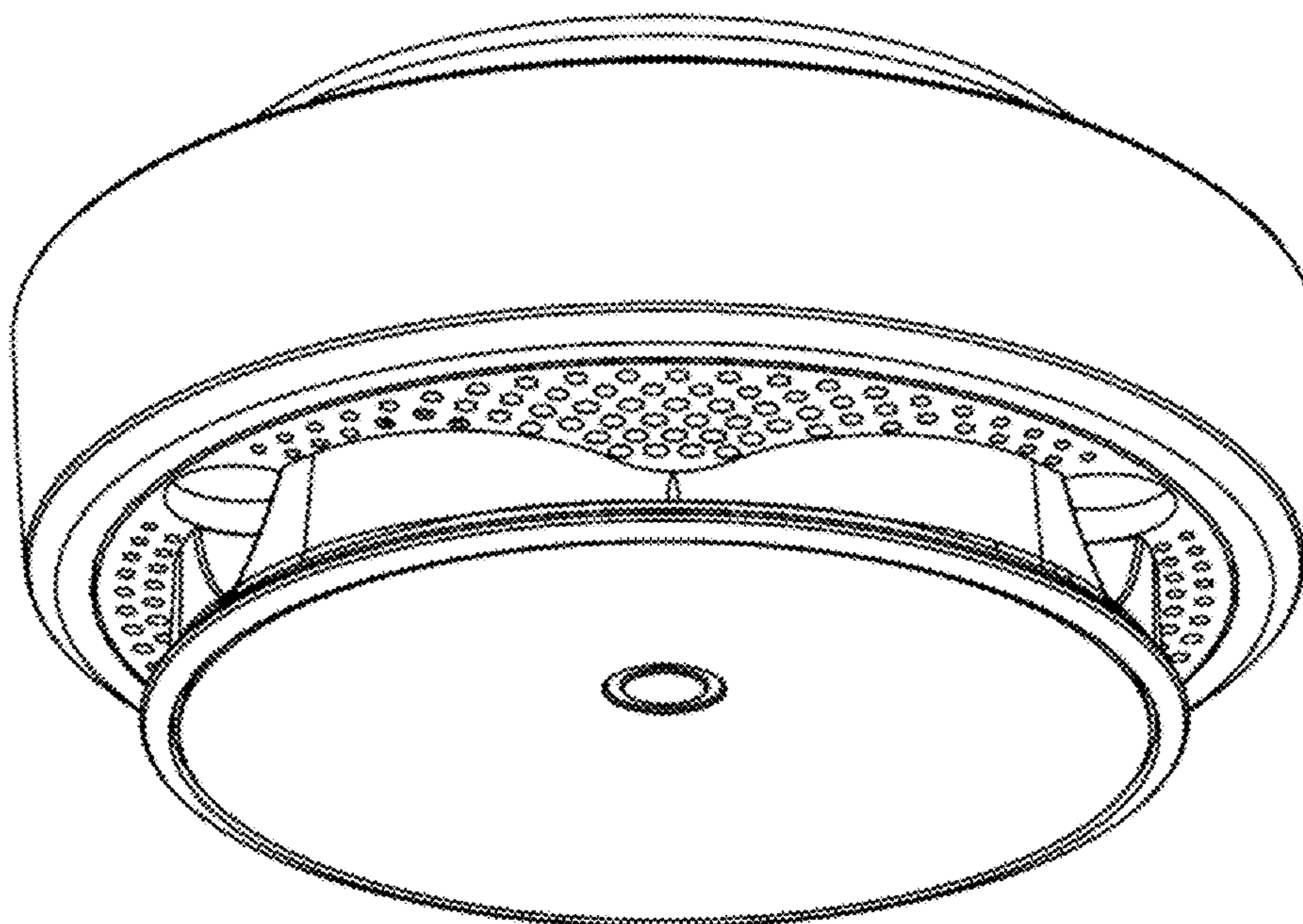
- 1.-2. Fire alarm
- 1.1 : Perspective
- 1.2 : Right
- 1.3 : Perspective
- 1.4 : Top
- 1.5 : Bottom
- 2.1 : Perspective
- 2.2 : Right
- 2.3 : Perspective
- 2.4 : Top
- 2.5 : Bottom

(56) **References Cited**

U.S. PATENT DOCUMENTS

D771,512 S * 11/2016 Kalyan D10/106.5
D814,327 S * 4/2018 Leyshon D10/106.5

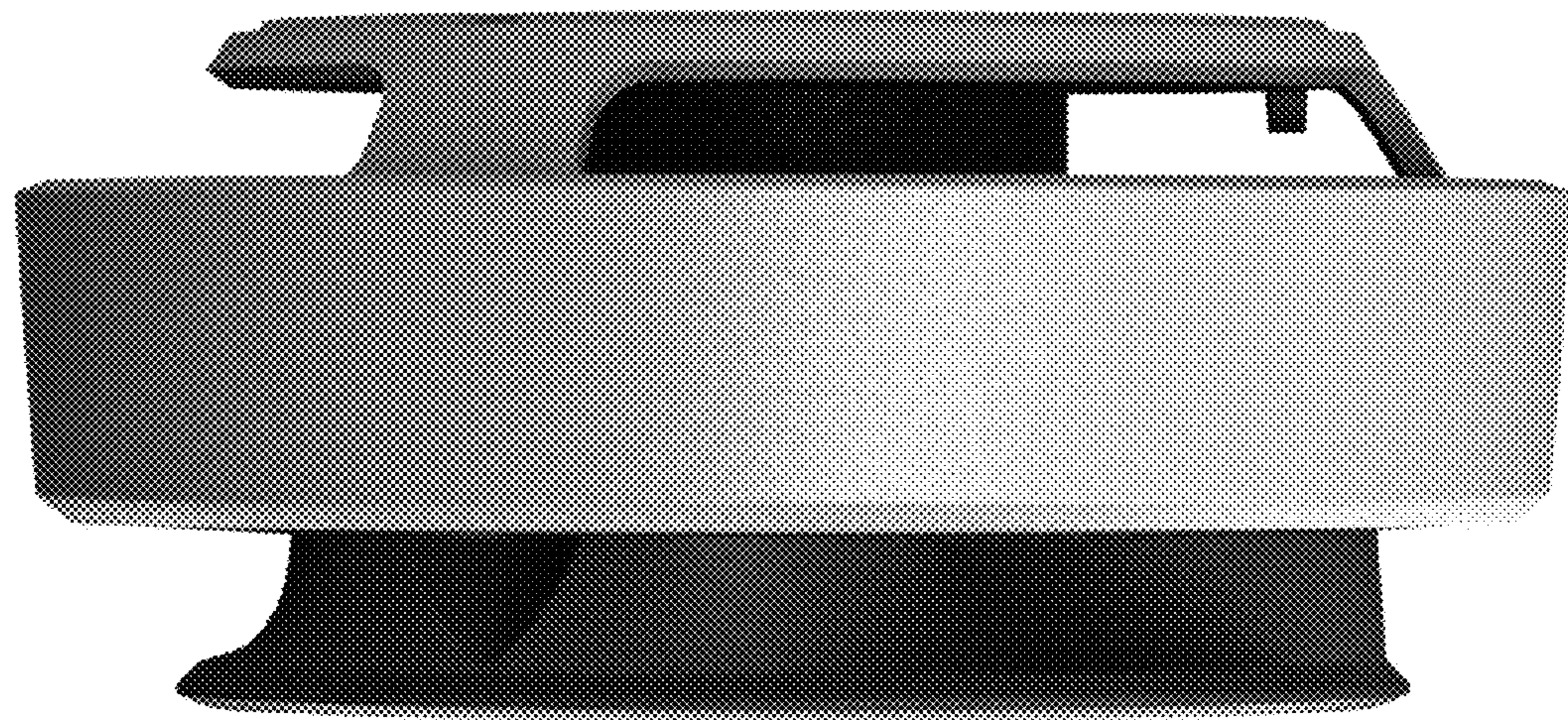
1 Claim, 10 Drawing Sheets
(5 of 10 Drawing Sheet(s) Filed in Color)



1.1



1.2



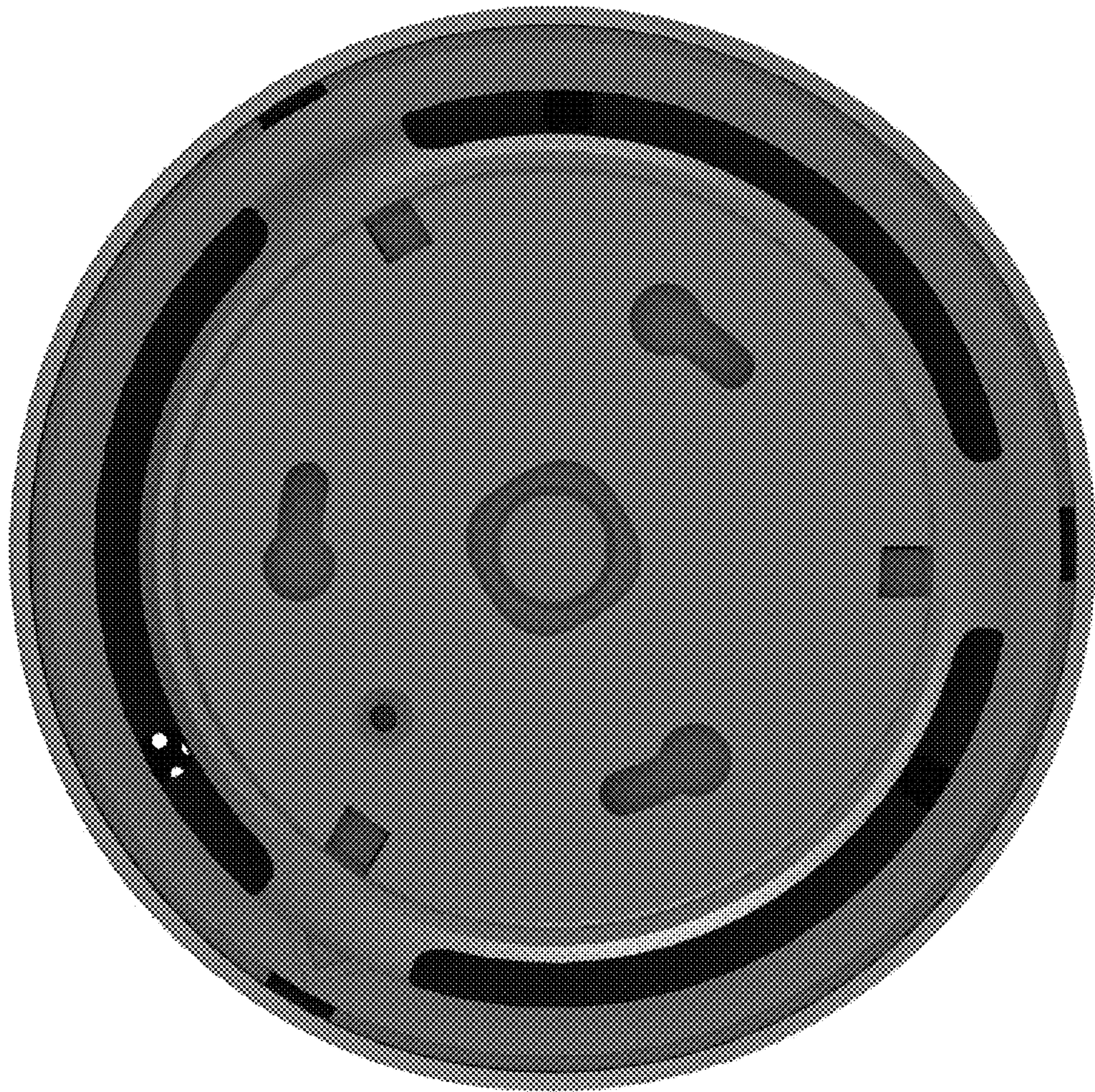
1.3



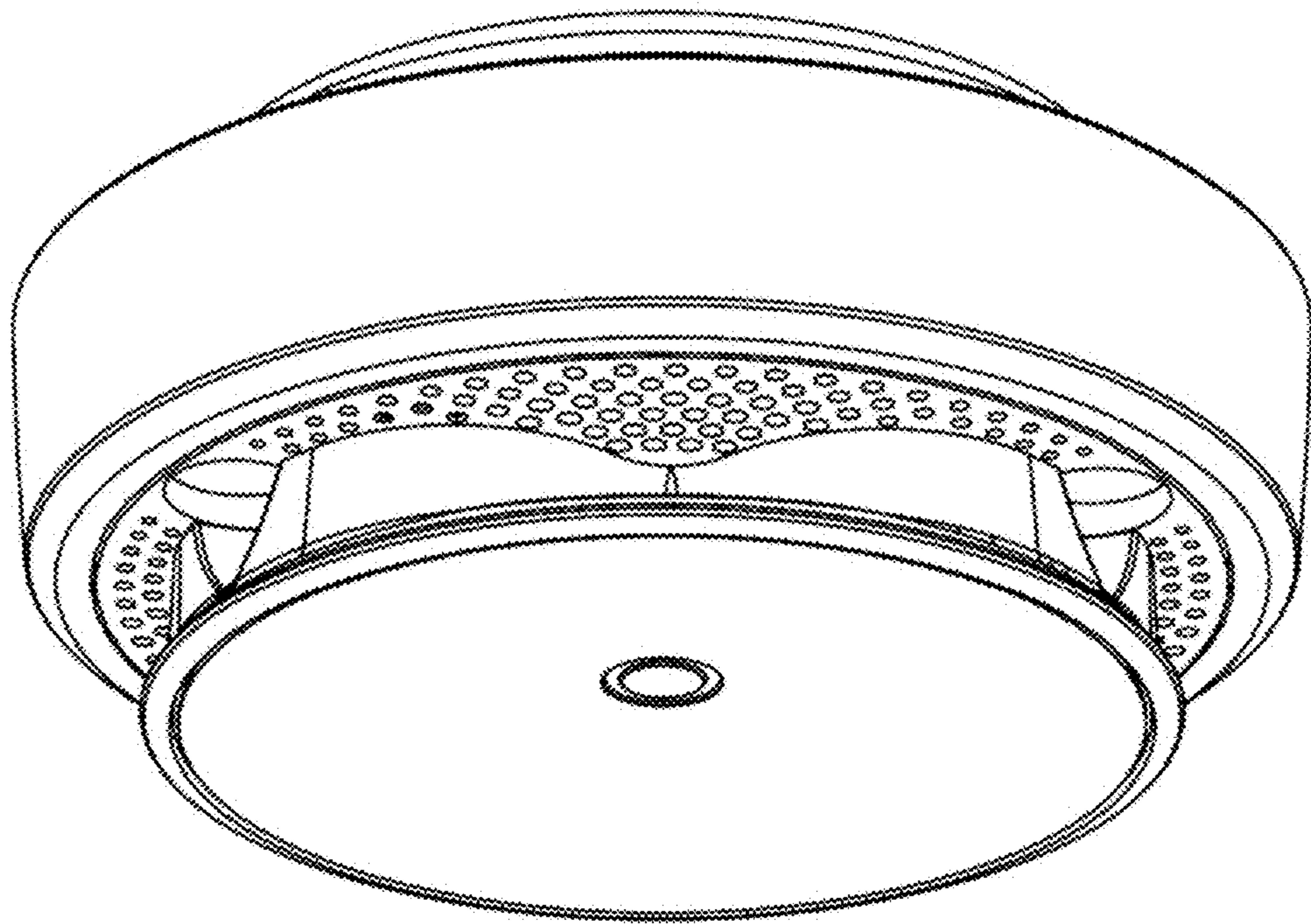
1.4



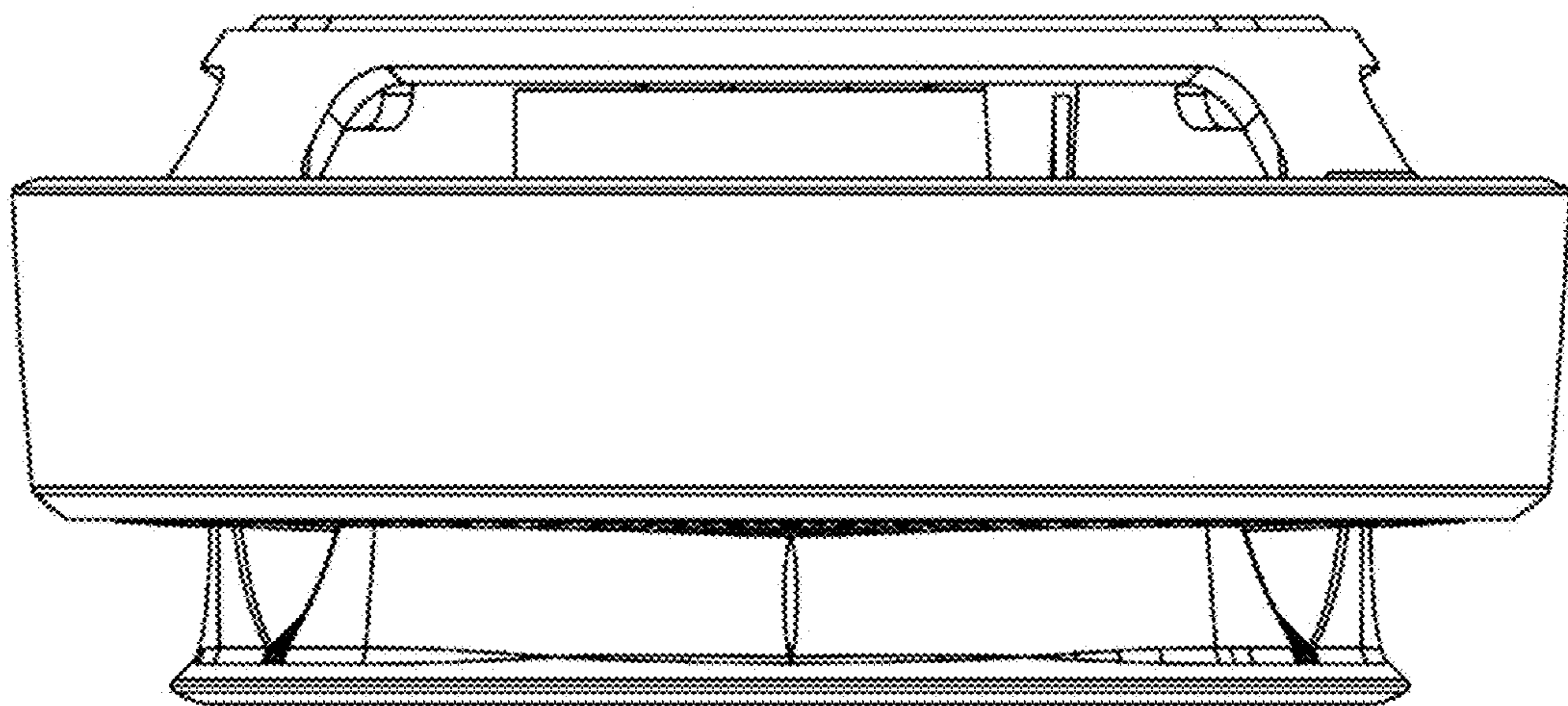
1.5



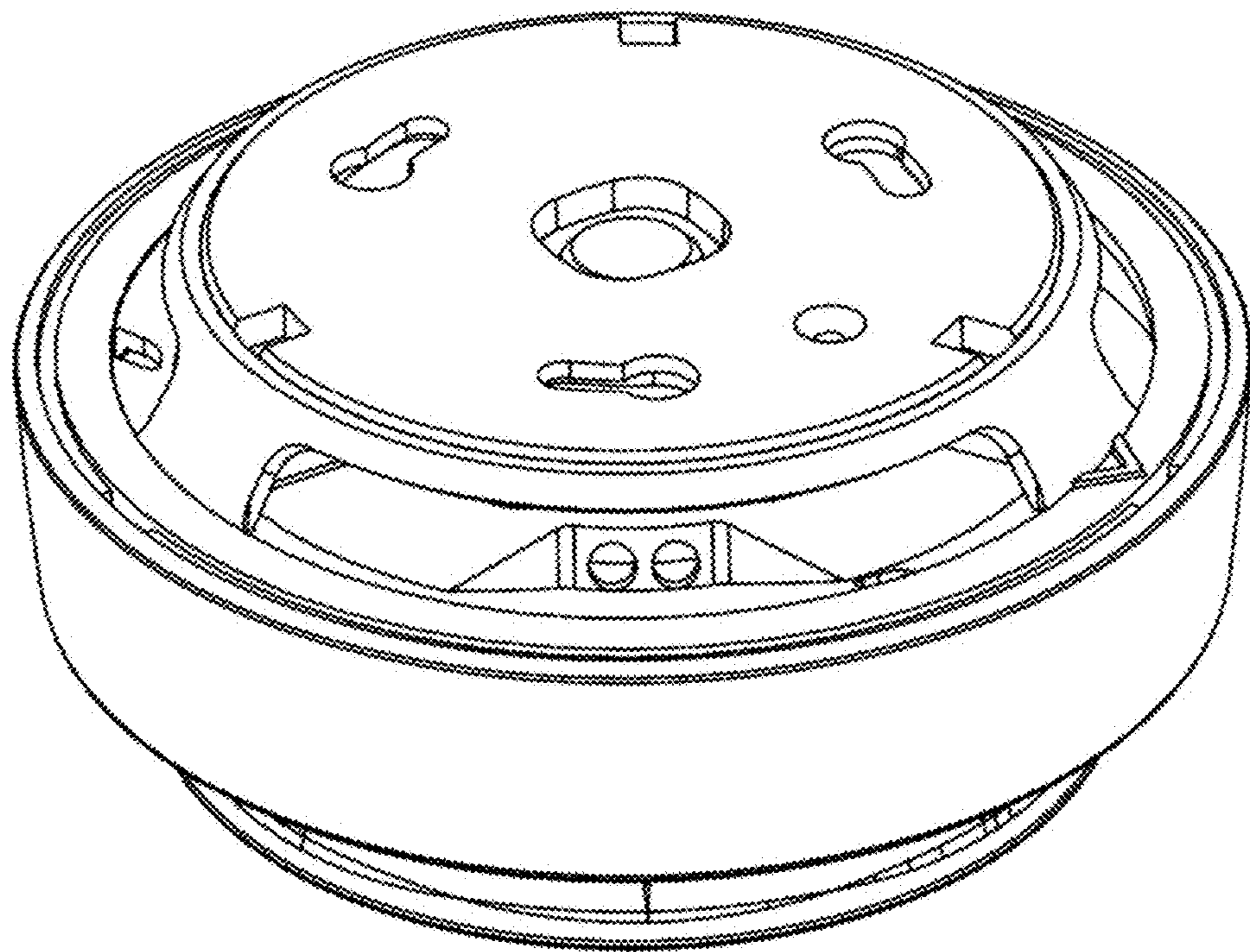
2.1



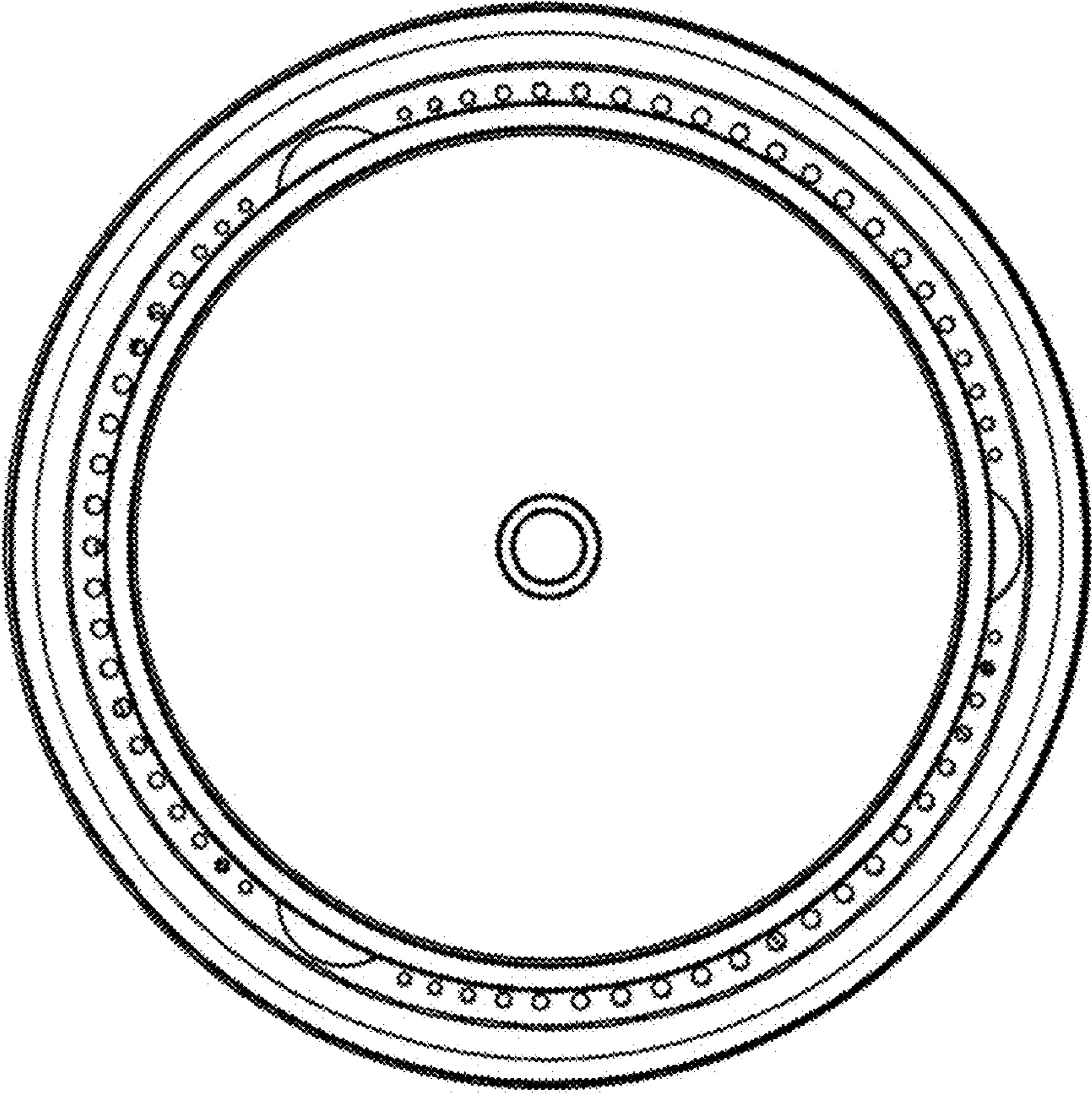
2.2



2.3



2.4



2.5

