



US00D939370S

(12) **United States Design Patent**
Yang et al.

(10) **Patent No.:** **US D939,370 S**

(45) **Date of Patent:** **** Dec. 28, 2021**

(54) **BODY FAT WEIGHT SCALE**

D798,175 S * 9/2017 Donovanick D10/92
D801,837 S * 11/2017 Tsai D10/91
D808,287 S * 1/2018 Liang D10/92

(71) Applicant: **ETEK CITY CORPORATION**,
Anaheim, CA (US)

(Continued)

(72) Inventors: **Lin Yang**, Shenzhen (CN); **Hai Yang**,
Shenzhen (CN)

FOREIGN PATENT DOCUMENTS

CN 304979714 * 6/2018
CN 305140407 * 10/2018

(Continued)

(**) Term: **15 Years**

(21) Appl. No.: **29/717,505**

OTHER PUBLICATIONS

(22) Filed: **Dec. 18, 2019**

Etekcitey Store,Smart Digital Bathroom Scale,Date first available
Feb. 14, 2020, [online]retrieved Apr. 26, 2021,available from https://
www.amazon.com/dp/B084SFL43F/ref=sspa_dk_detail_1?pd_rd_
i=B084SFL43F&pd_rd_w=9vISY&pf_rd_p=085568d9-3b13-4ac1-
8ae4-24a26c00cb0c&pd_rd_wg=Y2eWZ&pf_rd_r=
VK4BJQNQRHDWX28C (Year: 2020).*

(Continued)

(30) **Foreign Application Priority Data**

Jun. 18, 2019 (CN) 201930316076.9

(51) **LOC (13) Cl.** **10-04**

(52) **U.S. Cl.**
USPC **D10/91; D10/92**

(58) **Field of Classification Search**
USPC D10/91, 92, 46, 83, 87; 177/128, 256,
177/74, 179

CPC G01G 21/286; G01G 21/28; G01G 21/00;
G01G 21/30; G01G 23/3728; G01G
23/3735; G01G 19/44; G01G 3/14; G01G
19/46; G01G 19/48; G01G 19/50; G01G
21/44; G01G 19/414; G01G 19/4144;
G01G 19/42; F16F 1/123; A61B 5/053;
A61B 5/4872; A61B 5/0537; A61B
5/4869; A61B 5/6825; A61B 5/6829;
A61B 5/7445; G06Q 20/3678; G06Q
20/387; G06Q 20/065; G06Q 20/36;
G06Q 20/06; G09B 19/00

See application file for complete search history.

Primary Examiner — Keli L Hill

Assistant Examiner — Sara S Sahneh

(74) *Attorney, Agent, or Firm* — Tsz Lung Yeung

(57) **CLAIM**

The ornamental design for a body fat weight scale, as shown
and described.

DESCRIPTION

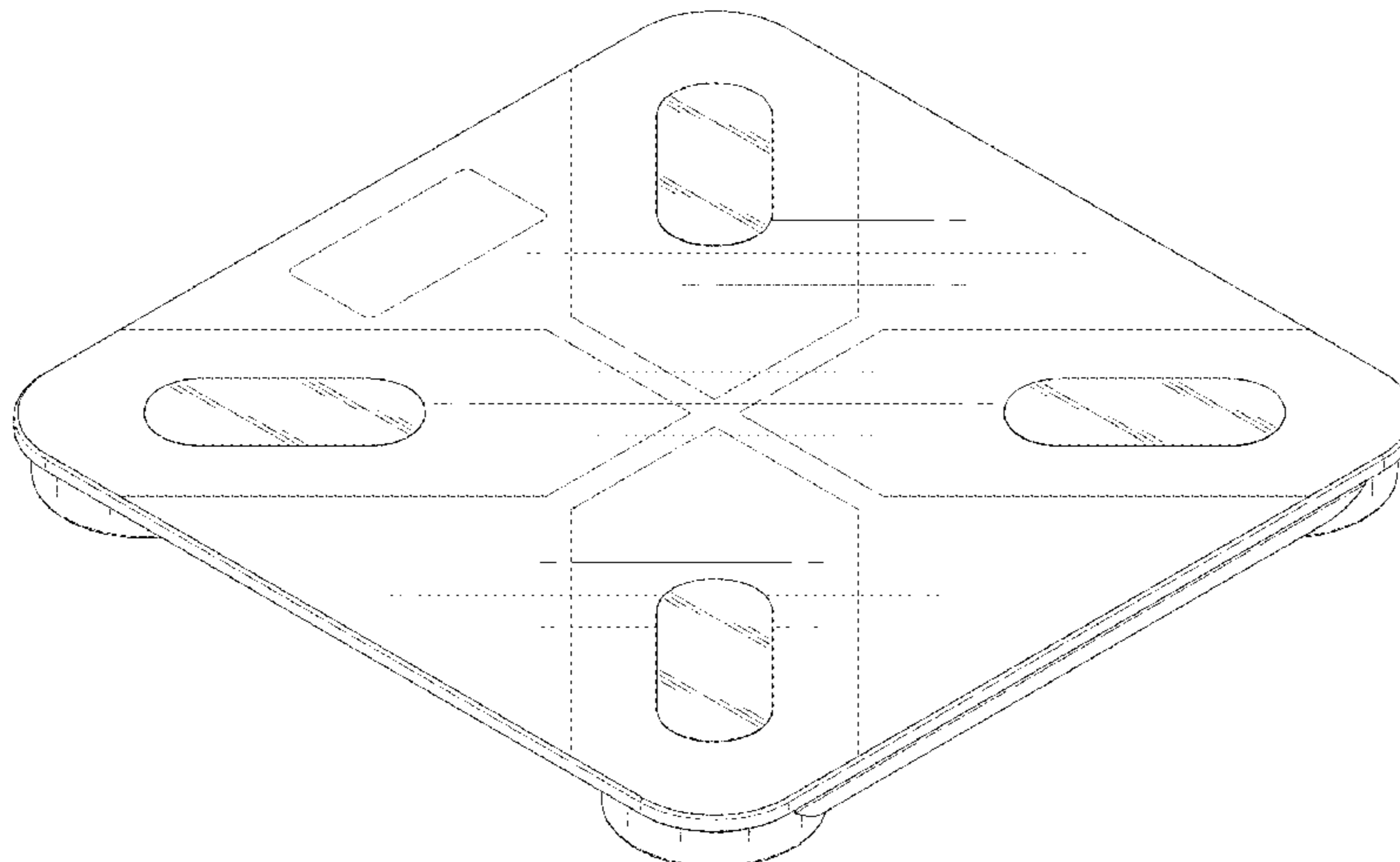
FIG. 1 is a perspective view of a body fat weight scale
showing my new design;
FIG. 2 is a front view thereof;
FIG. 3 is a rear view thereof;
FIG. 4 is a right side view thereof;
FIG. 5 is a left side view thereof;
FIG. 6 is a top view thereof;
FIG. 7 is a bottom view thereof; and,
FIG. 8 is a perspective view thereof showing in an alterna-
tive in-use configuration.

(Continued)

(56) **References Cited**

U.S. PATENT DOCUMENTS

D465,166 S * 11/2002 Sato D10/92
D680,456 S * 4/2013 Ogihara D10/92
D700,091 S * 2/2014 Ogihara D10/92
D700,092 S * 2/2014 Ogihara D10/92
D718,162 S * 11/2014 Kobayakawa D10/92



The broken lines depict portions of the body fat weight scale that form no part of the claimed design.

1 Claim, 8 Drawing Sheets

FOREIGN PATENT DOCUMENTS

CN	305371153	* 10/2018
CN	305254471	* 7/2019
CN	305812269	* 8/2019
CN	306327552	* 9/2020
CN	306372814	* 9/2020

OTHER PUBLICATIONS

(56)

References Cited

U.S. PATENT DOCUMENTS

D820,133	S	*	6/2018	Pena	D10/94
D853,260	S	*	7/2019	Wang	D10/92
D858,331	S	*	9/2019	Yu	D10/92
D859,193	S	*	9/2019	Yu	D10/92
D860,841	S	*	9/2019	Wang	D10/92
D873,688	S	*	1/2020	Fu	D10/92
D895,463	S	*	9/2020	Wen	D10/92
D895,464	S	*	9/2020	Wang	D10/92
D897,226	S	*	9/2020	Jiang	D10/92
D912,554	S	*	3/2021	Liu	D10/92

SOKOA, Smart Digital Scales, Date first available Jul. 28, 2020, [online]retrieved Apr. 26, 2021,available from [https://www.amazon.com/dp/B08DRTZLNZW/ref=sspa_dk_detail_5?psc=1&pd_rd_i=B08DRTZLNZW&pd_rd_w=cTZ3i&pf_rd_p=085568d9-3b13-4ac1-8ae4-24a26c00cb0c&pd_rd_wg=3OSTG&pf_rd_r=F3KZEV2QE83PXNFE3XDA&pd_rd_r=\(Year: 2020\).](https://www.amazon.com/dp/B08DRTZLNZW/ref=sspa_dk_detail_5?psc=1&pd_rd_i=B08DRTZLNZW&pd_rd_w=cTZ3i&pf_rd_p=085568d9-3b13-4ac1-8ae4-24a26c00cb0c&pd_rd_wg=3OSTG&pf_rd_r=F3KZEV2QE83PXNFE3XDA&pd_rd_r=(Year: 2020).)*
RENPHO Store, Body Fat Scale Smart,Date first available Dec. 22, 2016,[online]retrieved May 11, 2021,available from [https://www.amazon.com/RENPHO-Bluetooth-Bathroom-Composition-Smartphone/dp/B01N1UX8RW/ref=psdc_344746011_t3_B07W4P2M8G\(Year: 2016\).](https://www.amazon.com/RENPHO-Bluetooth-Bathroom-Composition-Smartphone/dp/B01N1UX8RW/ref=psdc_344746011_t3_B07W4P2M8G(Year: 2016).)*

* cited by examiner

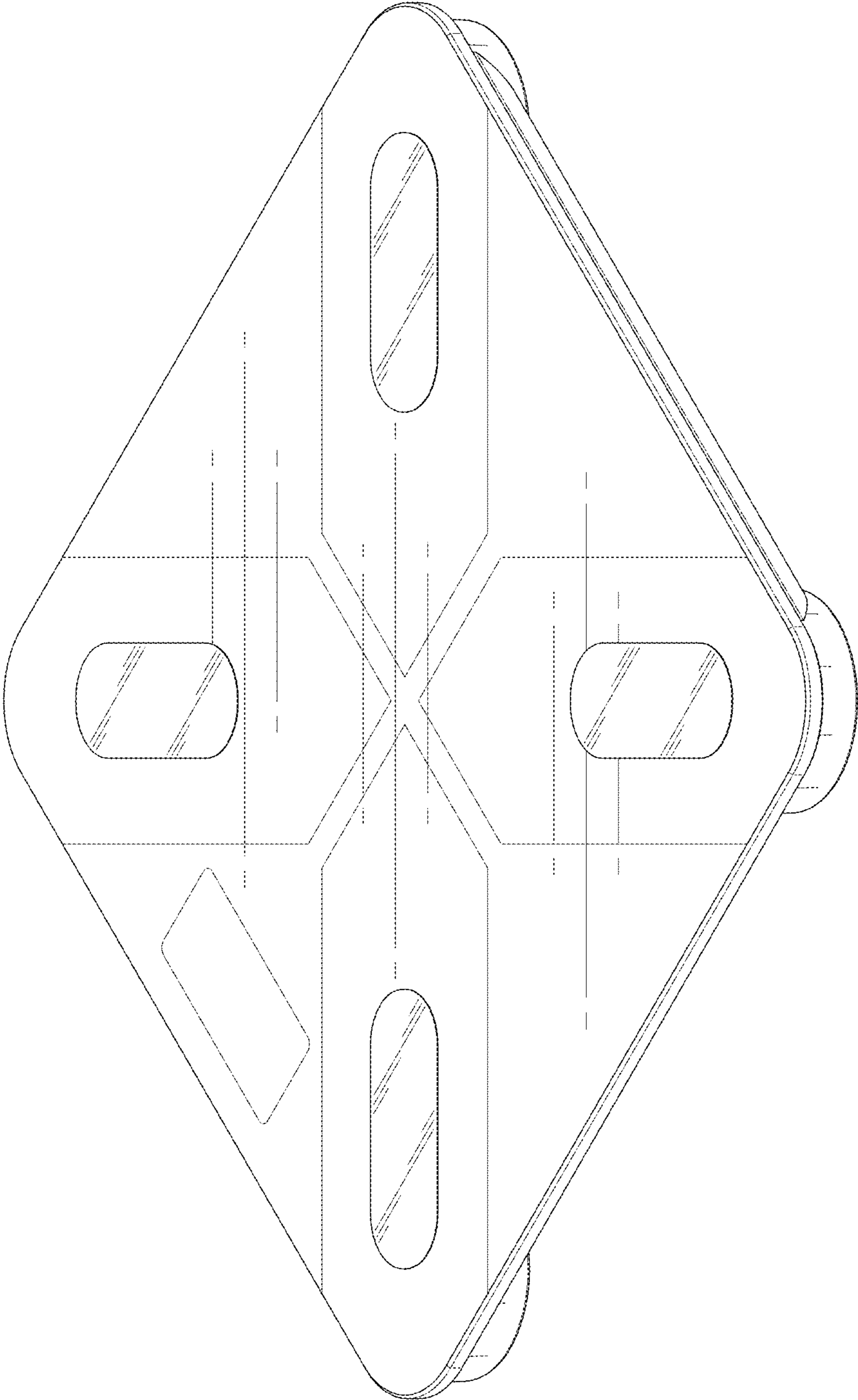


FIG.1

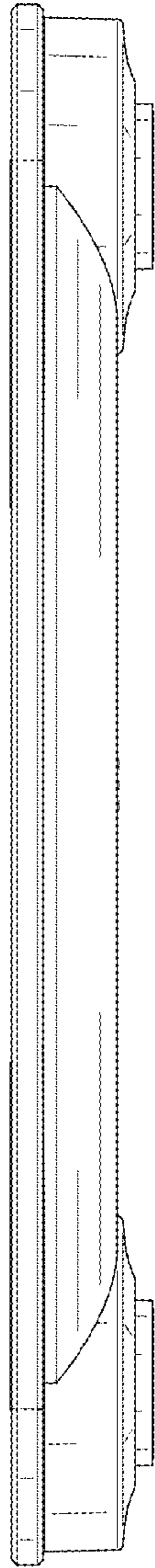


FIG. 2

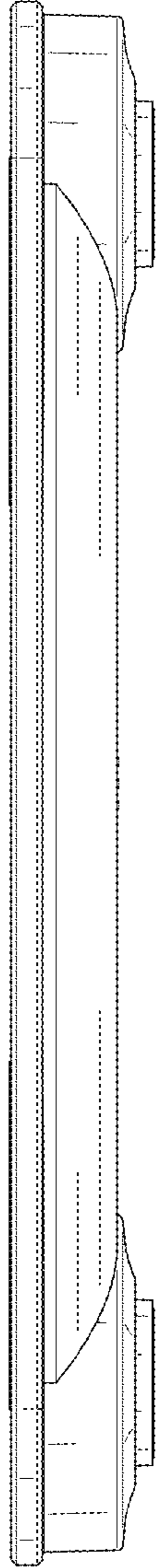


FIG. 3

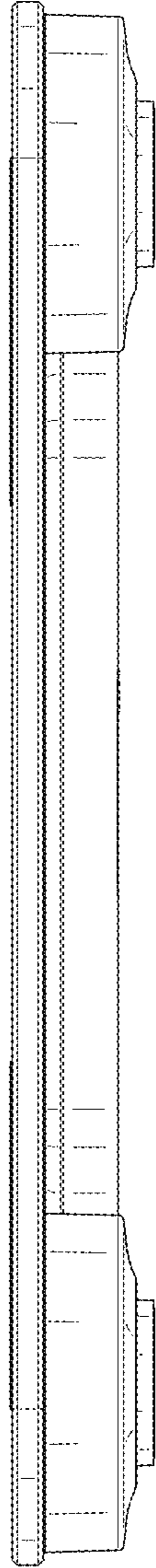


FIG. 4

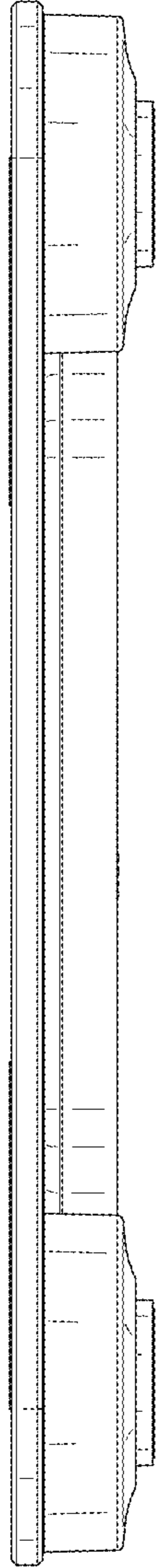


FIG. 5

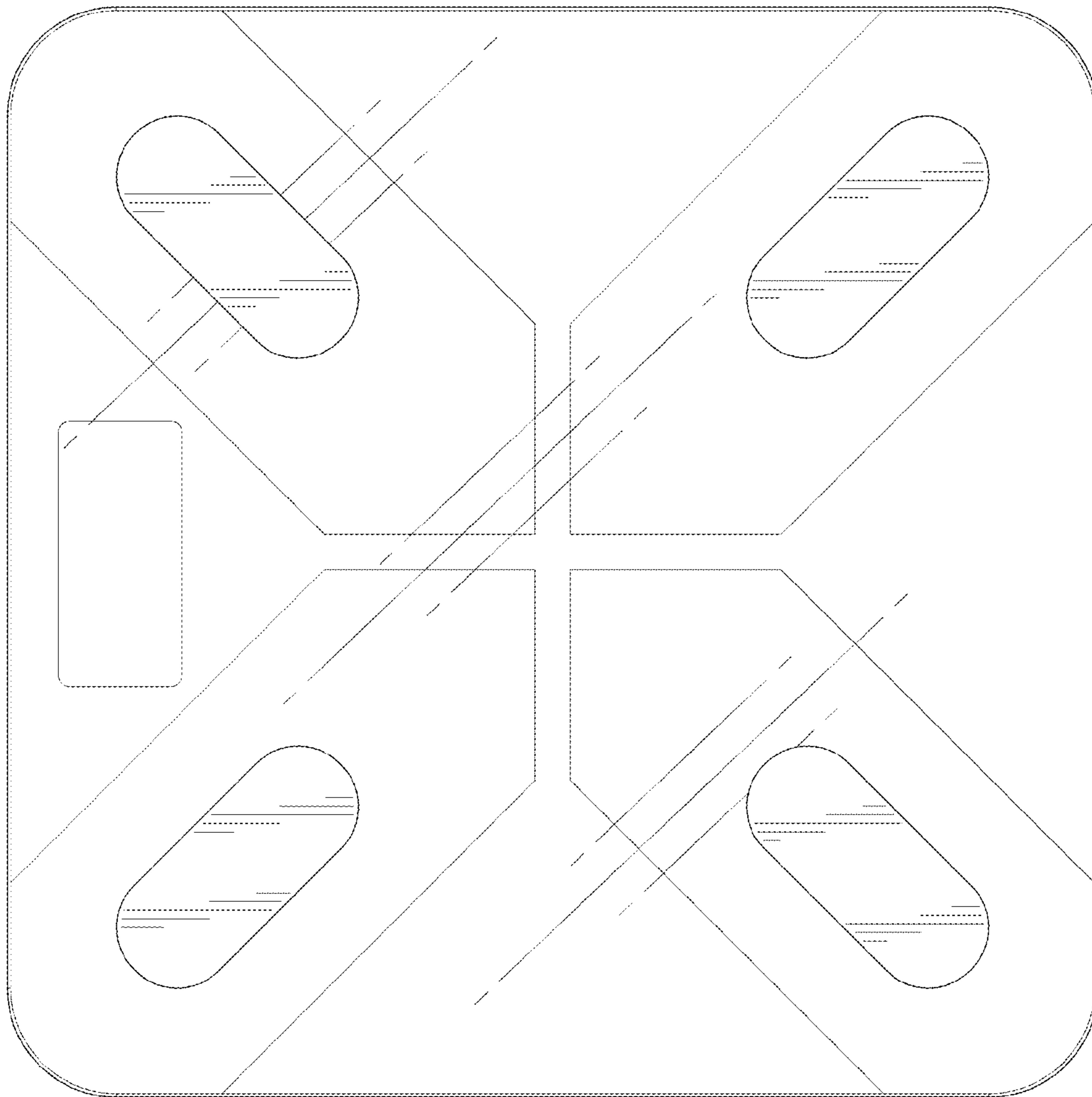


FIG. 6

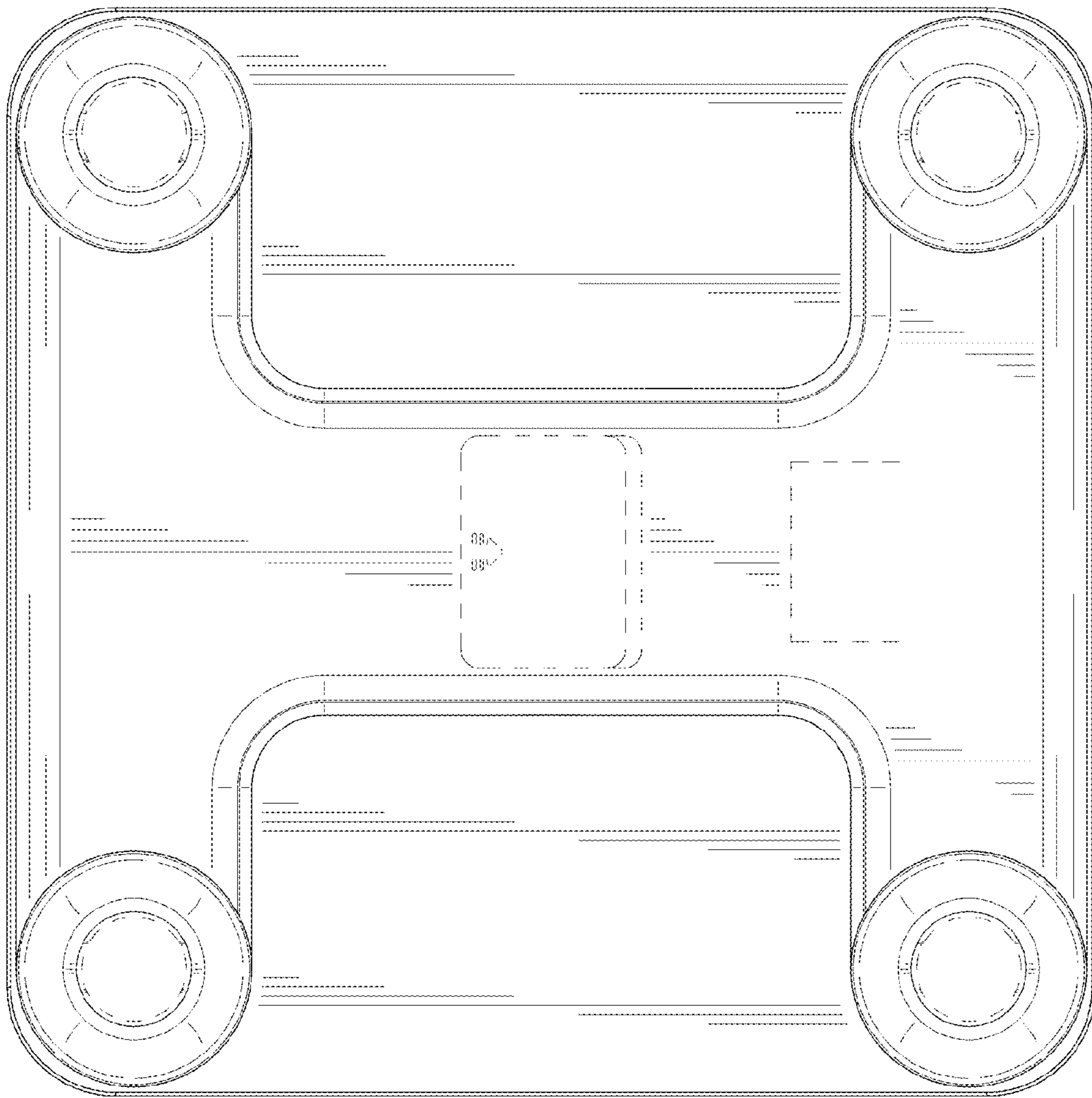


FIG. 7

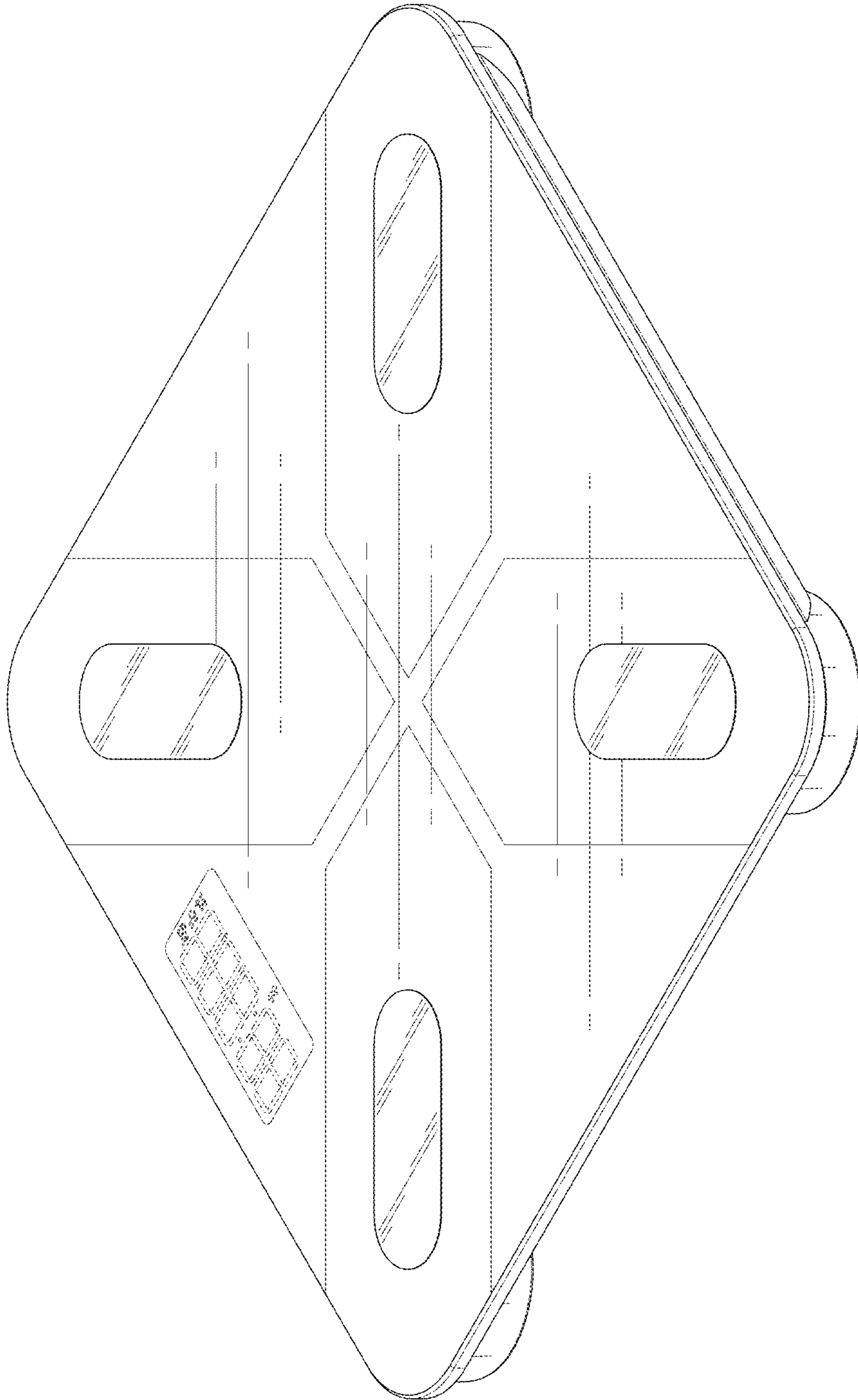


FIG. 8