



US00D939369S

(12) **United States Design Patent**  
**Lan**

(10) **Patent No.:** **US D939,369 S**

(45) **Date of Patent:** **\*\* Dec. 28, 2021**

(54) **SIGNAL DETECTOR**

D922,230 S \* 6/2021 Lan ..... D10/104.1  
D923,597 S \* 6/2021 Nishikawa ..... D14/137  
D931,128 S \* 9/2021 Li ..... D10/78

(71) Applicant: **Jinhe Lan**, Guangdong (CN)

(72) Inventor: **Jinhe Lan**, Guangdong (CN)

(\*\*) Term: **15 Years**

(21) Appl. No.: **29/711,824**

(22) Filed: **Nov. 3, 2019**

(51) **LOC (13) Cl.** ..... **10-04**

(52) **U.S. Cl.**  
USPC ..... **D10/78**

(58) **Field of Classification Search**  
USPC ..... D10/75, 78, 104.1, 65; D14/137  
See application file for complete search history.

(56) **References Cited**

**U.S. PATENT DOCUMENTS**

D726,035 S \* 4/2015 Perez ..... D10/65  
D750,992 S \* 3/2016 Perez ..... D10/104.1  
D794,587 S \* 8/2017 Page ..... D14/137  
D831,600 S \* 10/2018 Aihsan ..... D14/137  
D854,434 S \* 7/2019 Blair ..... D10/78  
D854,953 S \* 7/2019 Blair ..... D10/78  
D882,540 S \* 4/2020 Giessel ..... D14/137  
D894,863 S \* 9/2020 Zheng ..... D14/155  
D900,655 S \* 11/2020 Rocholl Gullon ..... D10/78  
D904,211 S \* 12/2020 Giessel ..... D10/75  
D912,553 S \* 3/2021 Thurnherr ..... D10/75  
D915,233 S \* 4/2021 Giessel ..... D10/104.1

**OTHER PUBLICATIONS**

[https://www.amazon.com/Detector-Wireless-Signal-Listening-Scanner/dp/B07B93347H?ref\\_=ast\\_sto\\_dp](https://www.amazon.com/Detector-Wireless-Signal-Listening-Scanner/dp/B07B93347H?ref_=ast_sto_dp) (Year: 2018).\*  
<https://www.brickhousesecurity.com/counter-surveillance/digital-rf/> (Year: 2019).\*

\* cited by examiner

*Primary Examiner* — George D. Kirschbaum

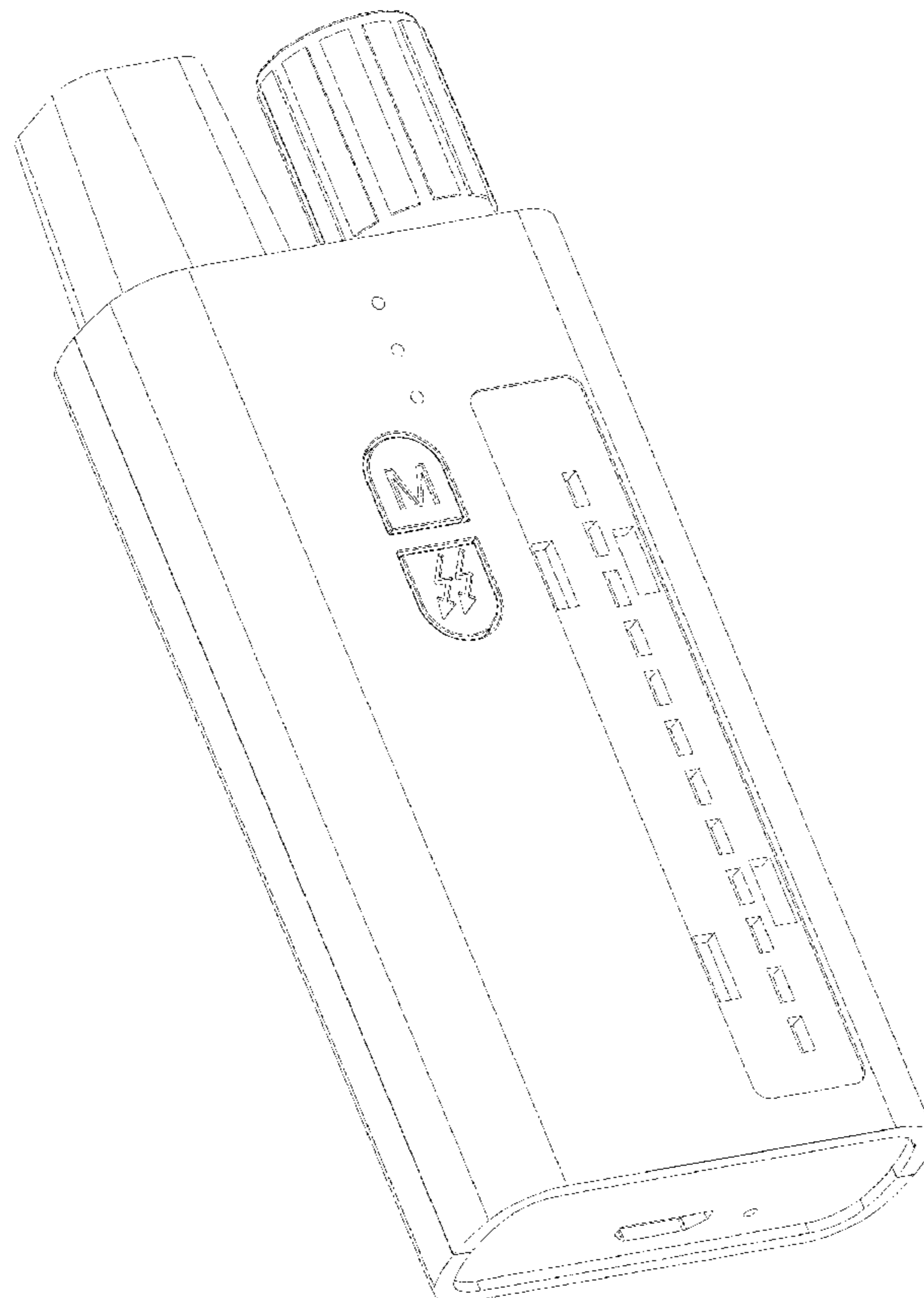
(57) **CLAIM**

The ornamental design for a signal detector, as shown.

**DESCRIPTION**

FIG. 1 is a front elevational view of a signal detector showing my new design;  
FIG. 2 is a rear elevational view thereof;  
FIG. 3 is a left side view thereof;  
FIG. 4 is a right side view thereof;  
FIG. 5 is a top plan view thereof;  
FIG. 6 is a bottom plan view thereof;  
FIG. 7 is a perspective view thereof; and,  
FIG. 8 is another perspective view thereof.

**1 Claim, 7 Drawing Sheets**



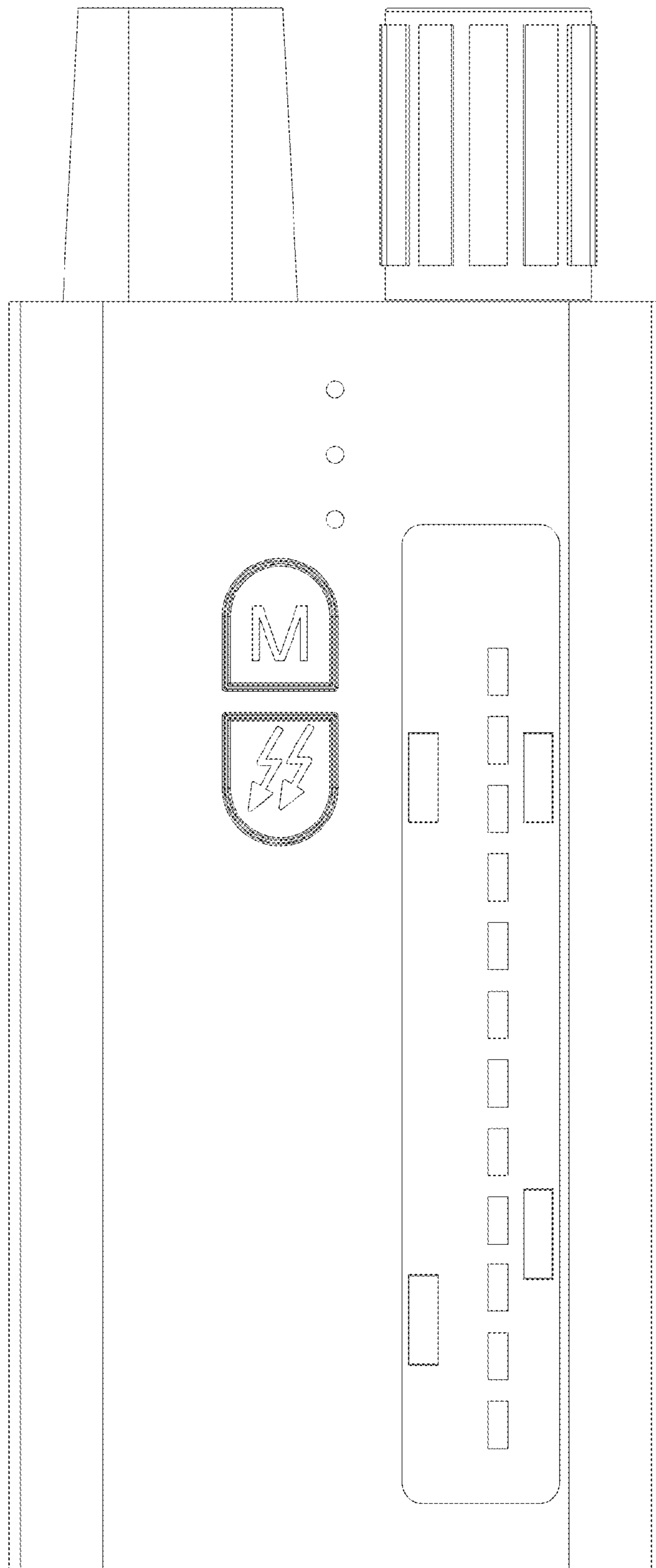


Fig. 1

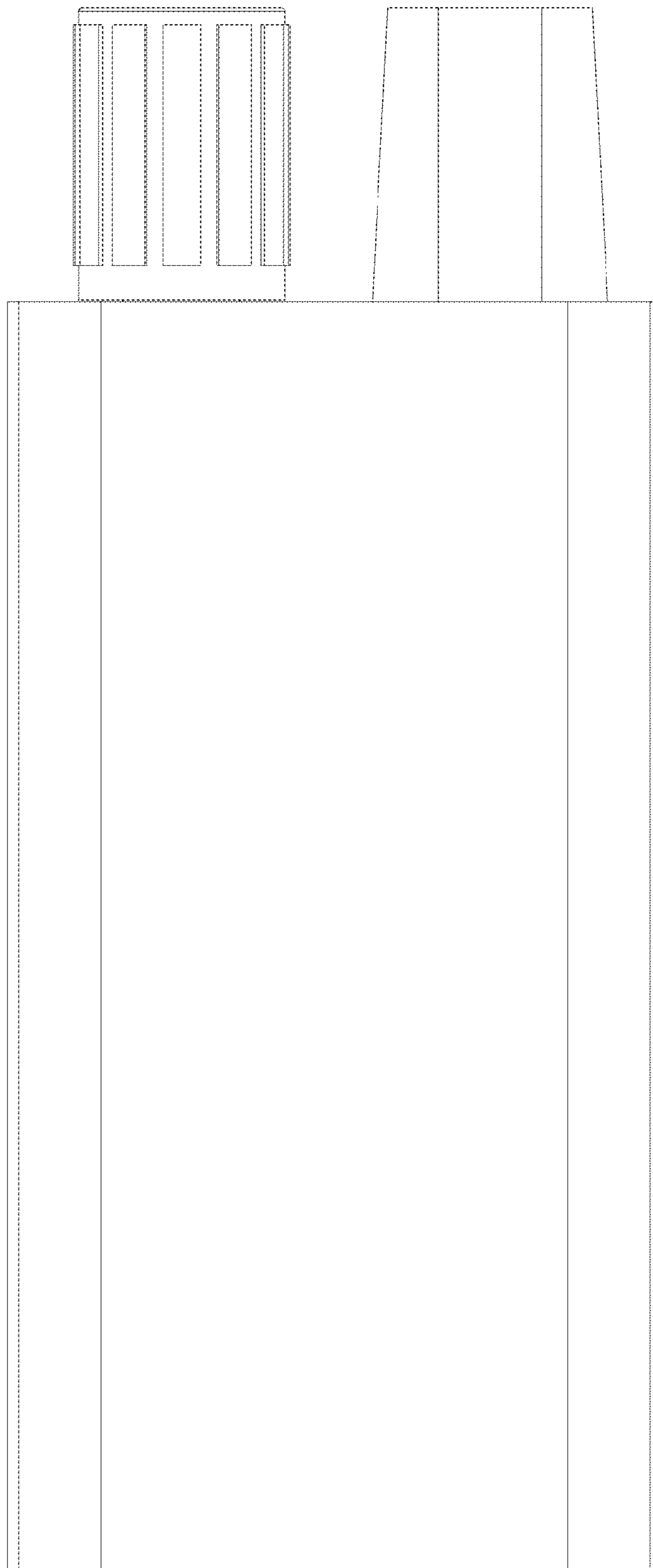


Fig. 2

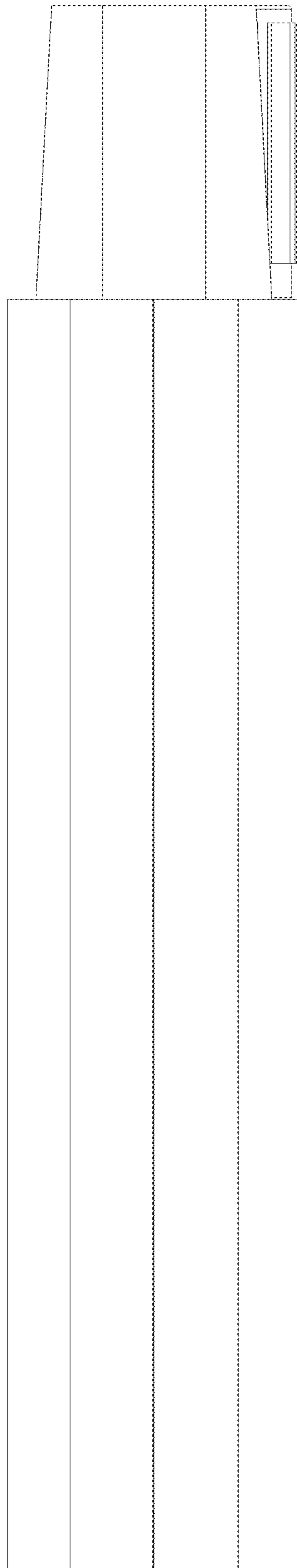


Fig. 3

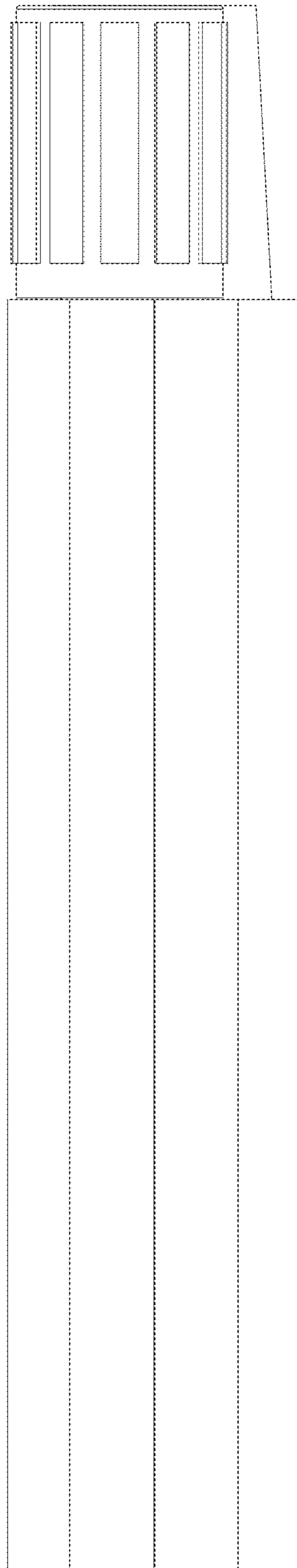


Fig. 4

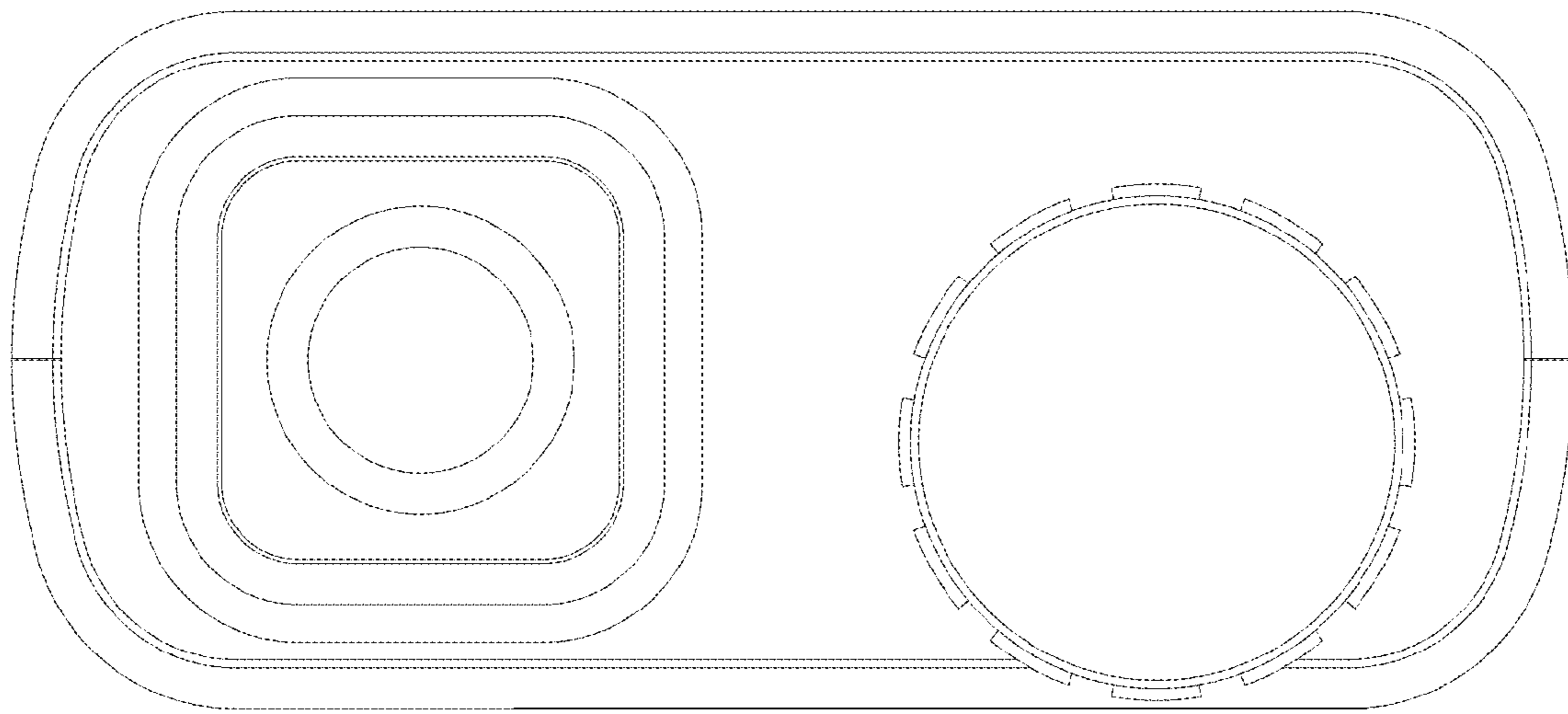


Fig. 5

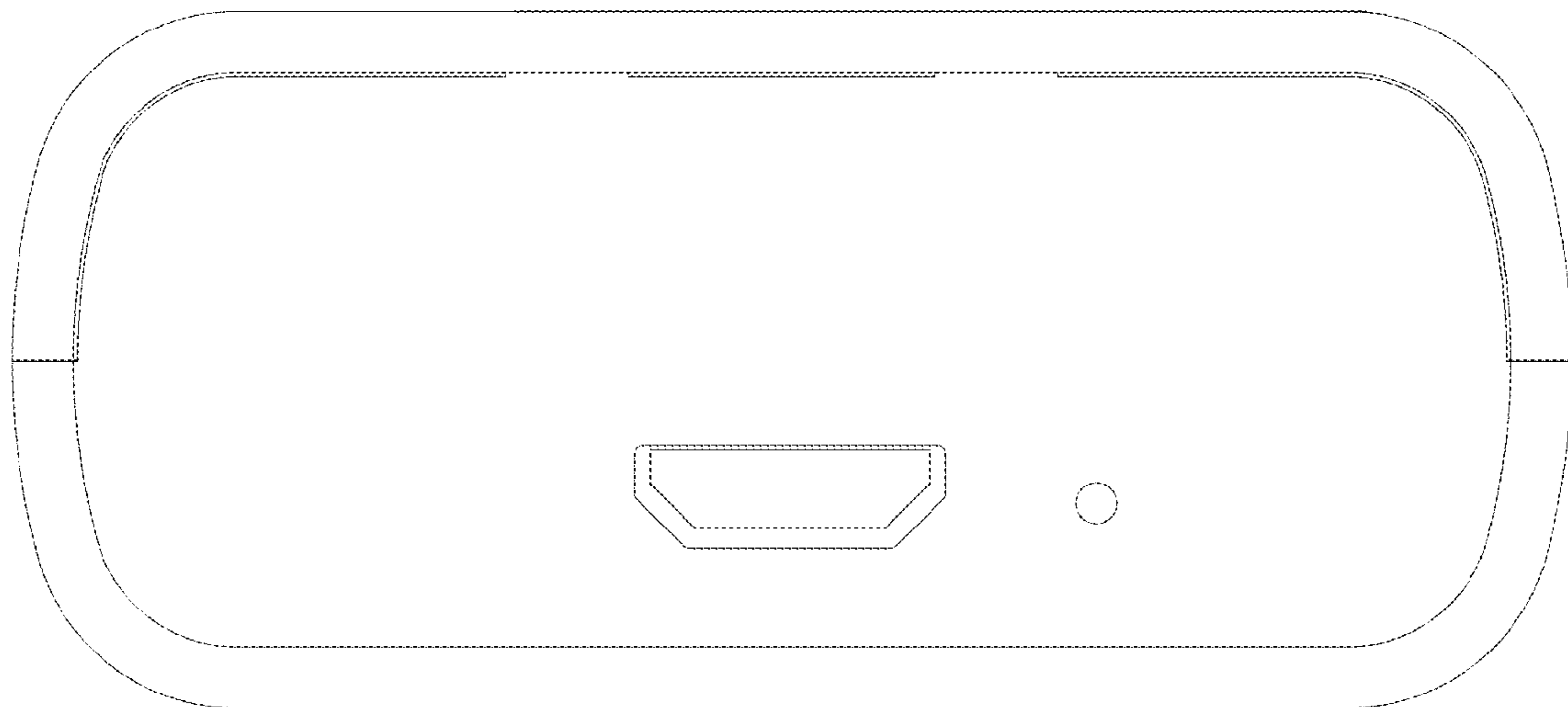


Fig. 6

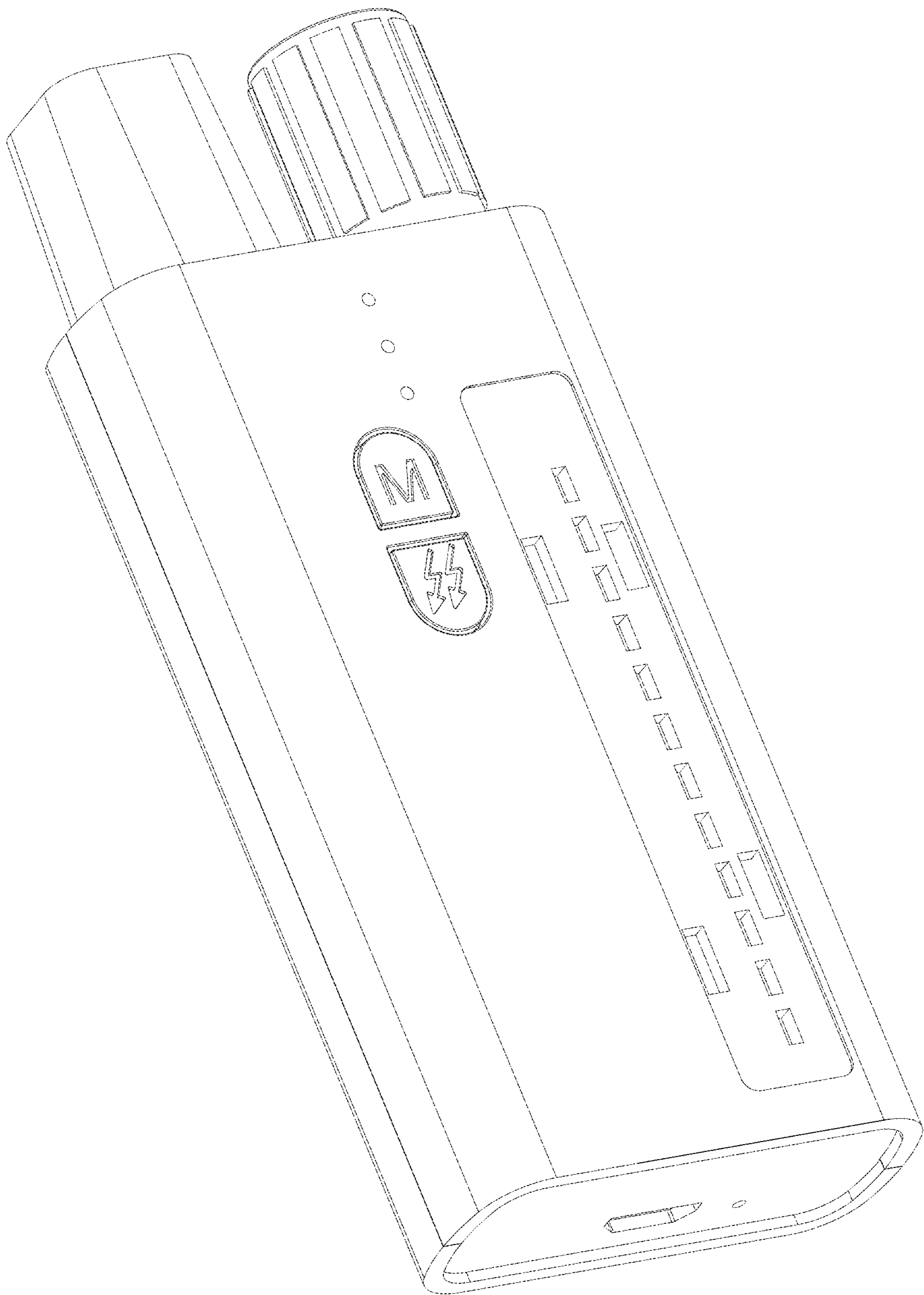


Fig. 7

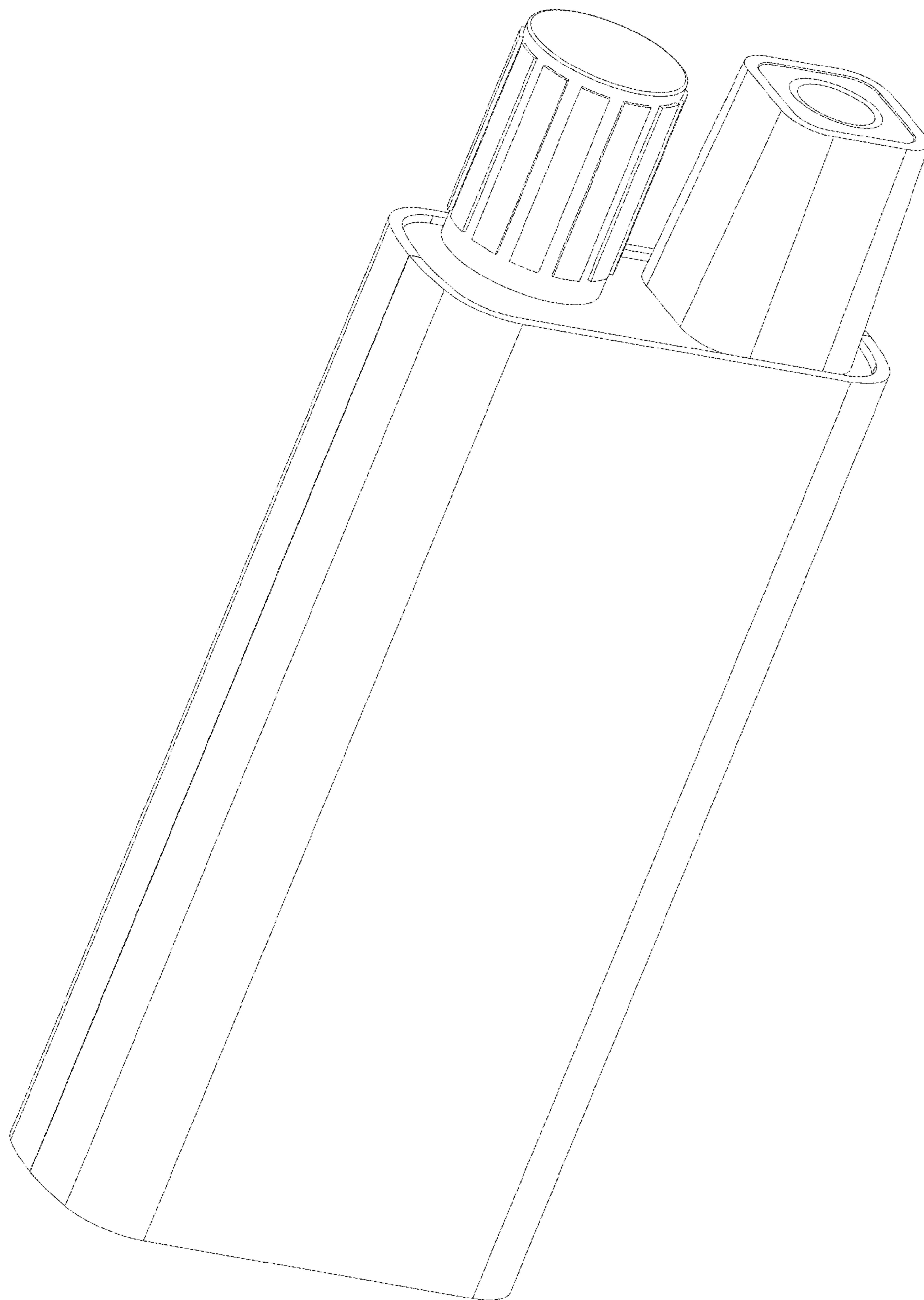


Fig. 8