



US00D939368S

(12) **United States Design Patent** (10) **Patent No.:** **US D939,368 S**  
**Lu** (45) **Date of Patent:** **\*\* Dec. 28, 2021**

(54) **VEHICLE DIAGNOSTIC DEVICE**

(71) Applicant: **AUTEL INTELLIGENT TECHNOLOGY CORP., LTD.**,  
Guangdong (CN)

(72) Inventor: **Boming Lu**, Guangdong (CN)

(73) Assignee: **AUTEL INTELLIGENT TECHNOLOGY CORP., LTD.**,  
Shenzhen (CN)

(\*\*) Term: **15 Years**

(21) Appl. No.: **29/704,774**

(22) Filed: **Sep. 6, 2019**

(30) **Foreign Application Priority Data**

Mar. 8, 2019 (CN) ..... 201930094250.X

(51) **LOC (13) Cl.** ..... **10-04**

(52) **U.S. Cl.**  
USPC ..... **D10/78**

(58) **Field of Classification Search**  
USPC ..... D10/75, 78

CPC ..... G01D 5/00; G01M 17/00; G01M 17/007;  
G01M 15/05; F17D 1/08; F02P 17/08;  
G01R 31/319; G01R 31/28; G01R  
31/007; G01R 31/3648; G01R 31/3693;  
G01R 31/3627; G01R 31/31907; G06F  
21/00; G06F 17/00; G06F 1/166; G06F  
1/1656; G06F 1/1626; G06F 1/1609;  
G06F 1/637; G06F 3/03547; G06F  
3/04842; G06F 3/04817; G07C 2205/02;  
G07C 5/00; G07C 5/002; G07C 5/004;  
G07C 5/006; G07C 5/008; G07C 5/02;  
G07C 5/04; G07C 5/06; G07C 5/08;

G07C 5/0808; G07C 5/0816; G07C  
5/0825; G07C 5/0833; G07C 5/0841;  
G07C 5/085; G07C 5/0858; G07C  
5/0866; G07C 5/0875; G07C 5/0883;  
G07C 5/0891; G07C 3/00; G08B 21/187;  
G08B 21/182; G05B 15/02; F16M 13/02;  
G08C 17/00; G08C 17/02; G01S 1/02;  
F16B 1/00; F16B 2001/0035

See application file for complete search history.

(56) **References Cited**

U.S. PATENT DOCUMENTS

D721,290 S \* 1/2015 Varacca ..... D10/78  
D725,520 S \* 3/2015 Varacca ..... D10/78  
D795,722 S \* 8/2017 Drew ..... D10/78

\* cited by examiner

*Primary Examiner* — Antoine Duval Davis

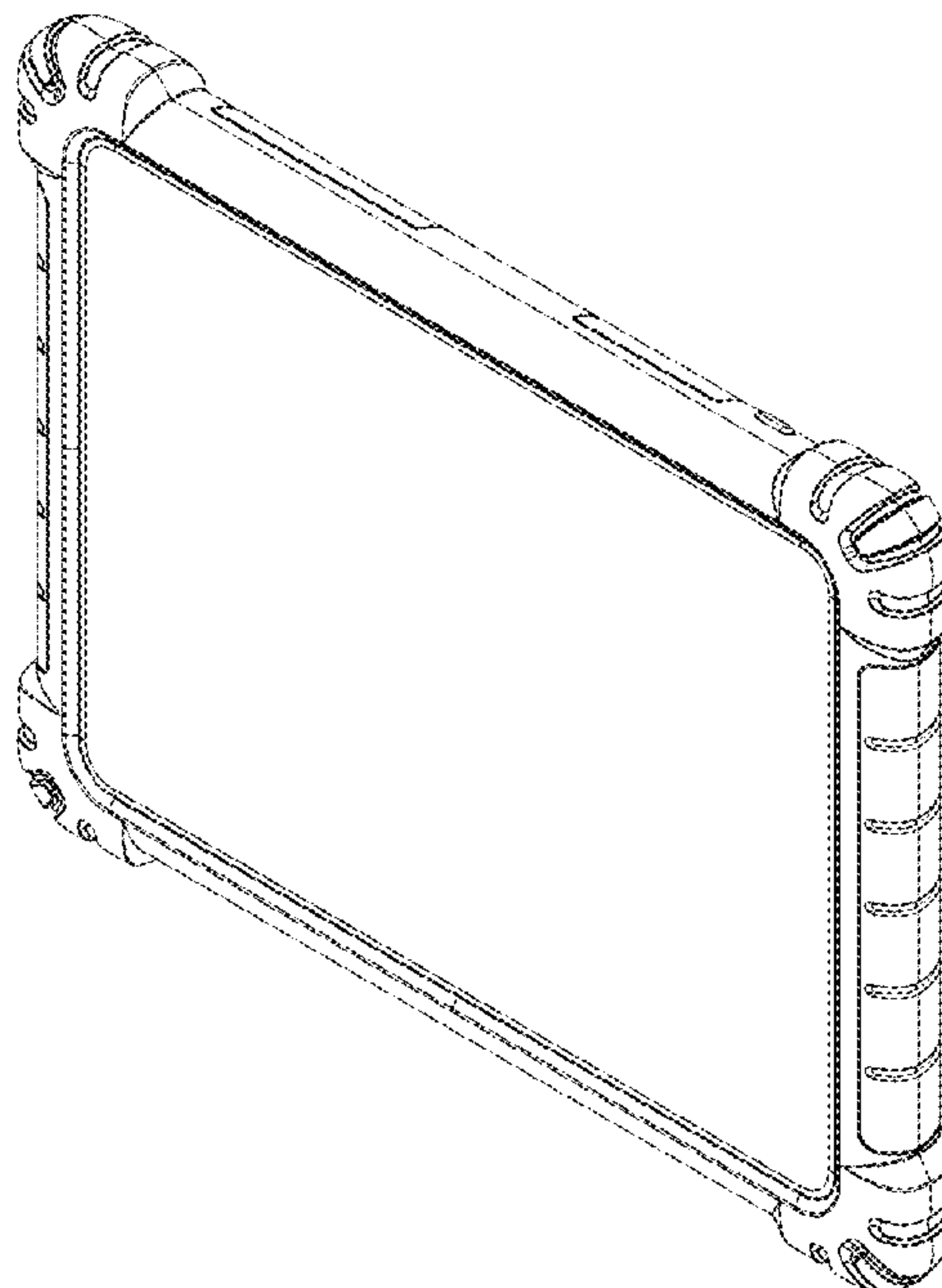
(57) **CLAIM**

I claim the ornamental design for a vehicle diagnostic device, as shown and described.

**DESCRIPTION**

FIG. 1 is a front elevational view of a vehicle diagnostic device showing my new design;  
FIG. 2 is a back elevational view thereof;  
FIG. 3 is a left side elevational view thereof;  
FIG. 4 is a right side elevational view thereof;  
FIG. 5 is a top plan view thereof;  
FIG. 6 is a bottom plan view thereof; and,  
FIG. 7 is a perspective view thereof.  
The broken line portions in FIG. 2 form no part of the claimed design.

**1 Claim, 4 Drawing Sheets**



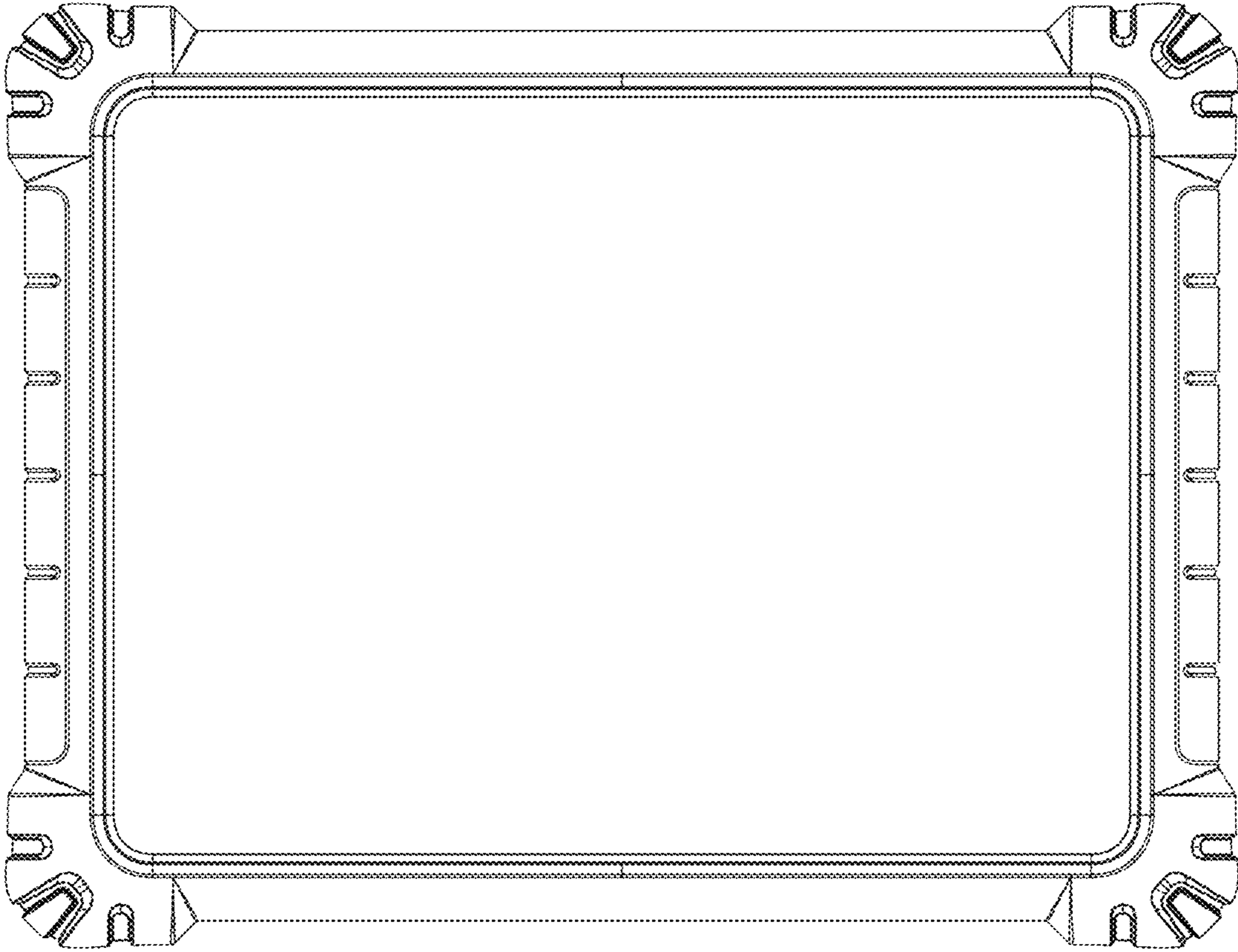


FIG.1

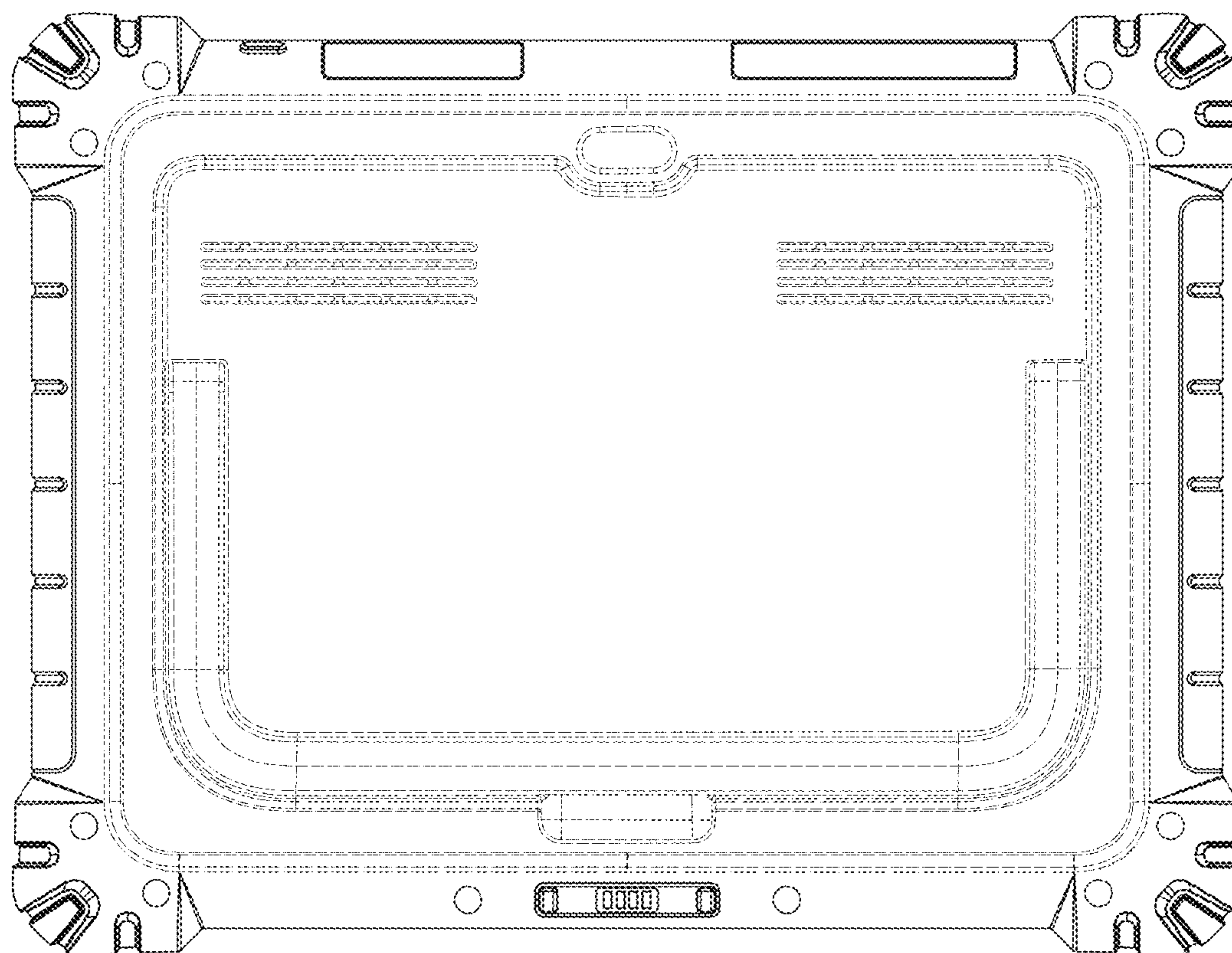


FIG. 2

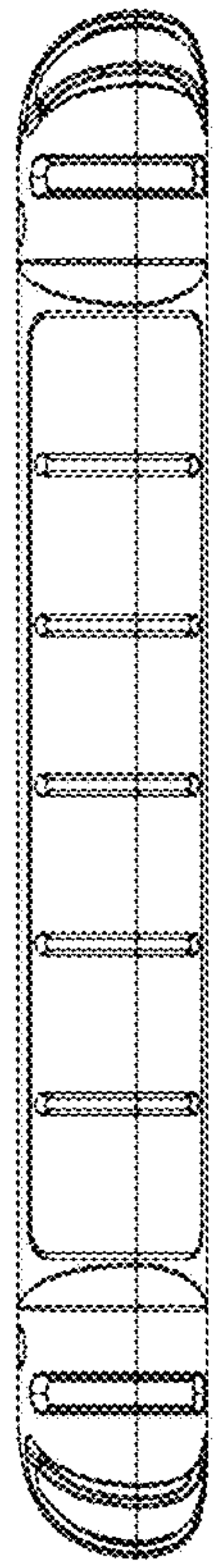


FIG.3

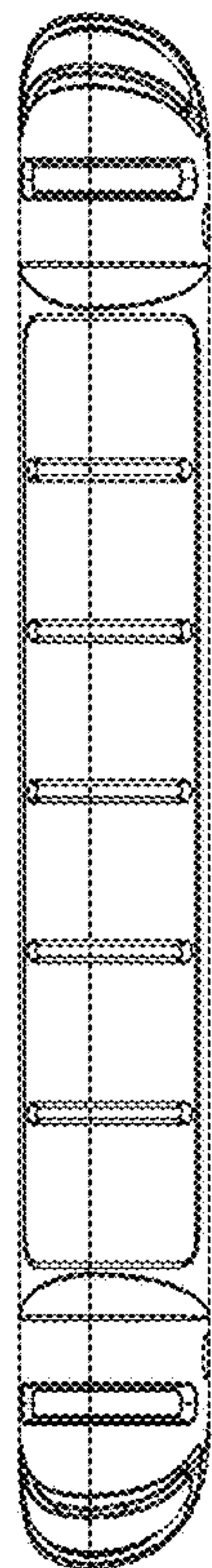


FIG.4



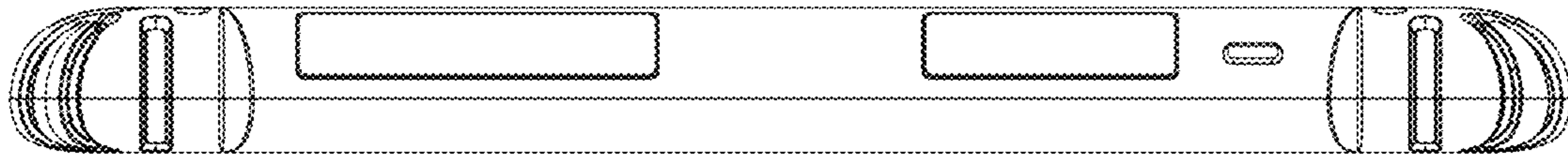


FIG. 5

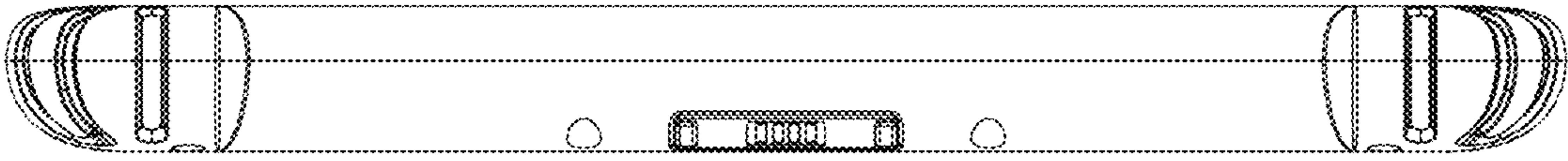


FIG. 6

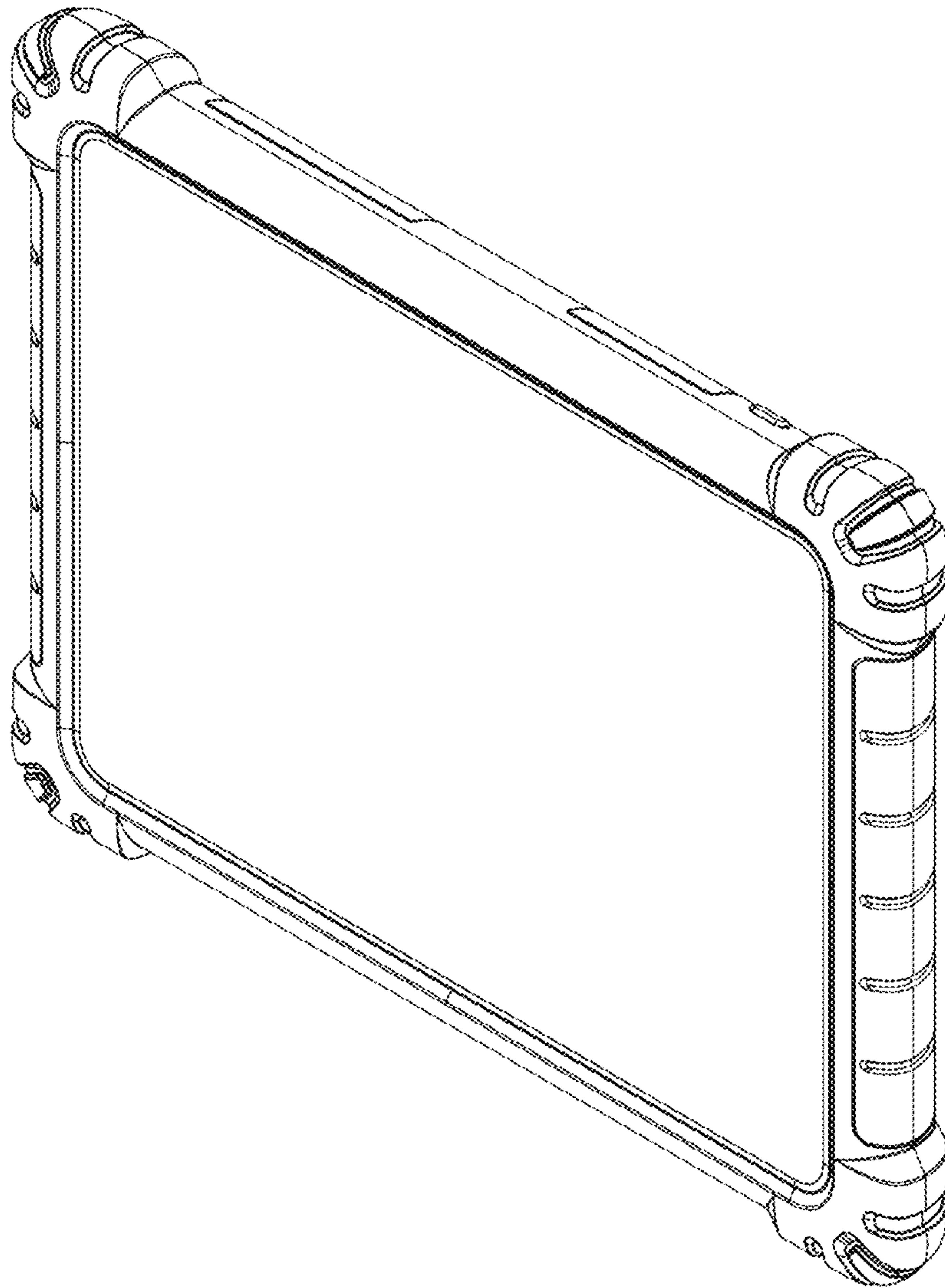


FIG. 7