



US00D939365S

(12) **United States Design Patent** (10) **Patent No.:** **US D939,365 S**
Nothacker et al. (45) **Date of Patent:** **** *Dec. 28, 2021**

(54) **BIOMONITORING WRISTBAND**
(71) Applicant: **KHN Solutions, Inc.**, San Francisco, CA (US)
(72) Inventors: **Keith Harry Nothacker**, San Francisco, CA (US); **William Tammen**, San Francisco, CA (US); **Imraan Aziz**, San Francisco, CA (US); **Raymond Kampmeier**, San Francisco, CA (US)
(73) Assignee: **KHN Solutions, Inc.**, San Francisco, CA (US)
(*) Notice: This patent is subject to a terminal disclaimer.
(**) Term: **15 Years**
(21) Appl. No.: **29/688,162**
(22) Filed: **Apr. 18, 2019**
(51) **LOC (13) Cl.** **10-04**
(52) **U.S. Cl.**
USPC **D10/70**; D24/167; D24/186
(58) **Field of Classification Search**
USPC D10/30-39, 70, 78, 97, 98; D11/3; D14/138 R, 203.5, 203.6, 203.7, 341, D14/344; D24/167, 186
CPC .. A44C 5/00-5/16; A44C 5/0015; A44C 5/02; A44C 5/14; G04B 47/04; G04B 19/00-19/34; G04B 21/12; G04B 23/12; G04B 37/00-37/228; G04B 47/00-47/068; G01C 21/00-21/3697; G01C 22/00-22/025; G01C 23/00-23/005; G01C 21/16; G06F 19/3481; G06F 3/00-3/027; G06F 3/038; G06F 3/03547; G01P 1/00-1/26; G01P 15/00-15/18; A63B 24/00-2024/0096; A63B 2213/00; A63B 69/0028; A63B 2071/0658-2071/0666; A63B 2220/00-2220/89; A63B 2225/02; A63B 21/0062; A63B 24/0084; A63B 2024/0068; A63B 2024/0078; A63B

2024/0056; A63B 2071/0625; A63B 2071/003; A63B 2071/063; A63B 2071/065; A63B 2071/0663; A63B 2071/068; A63B 2071/0675; A63B 2220/40; A63B 2220/803; A63B 2220/12; A63B 2220/20; A63B 2220/22; A63B 2220/30; A63B 2225/50; A63B 2225/06; A63B 2230/75; A63B 2024/0065; A63B 2024/0081; A63B 2220/51; A63B 2220/62; A63B 2220/836;
(Continued)

(56) **References Cited**

U.S. PATENT DOCUMENTS

D706,159 S *	6/2014	Ma	D11/3
D715,675 S *	10/2014	Ma	D11/3
D735,068 S *	7/2015	Garcia Pla	D11/3

* cited by examiner

Primary Examiner — Antoine Duval Davis
(74) *Attorney, Agent, or Firm* — Jeffrey Schox; Caitlin Ploch

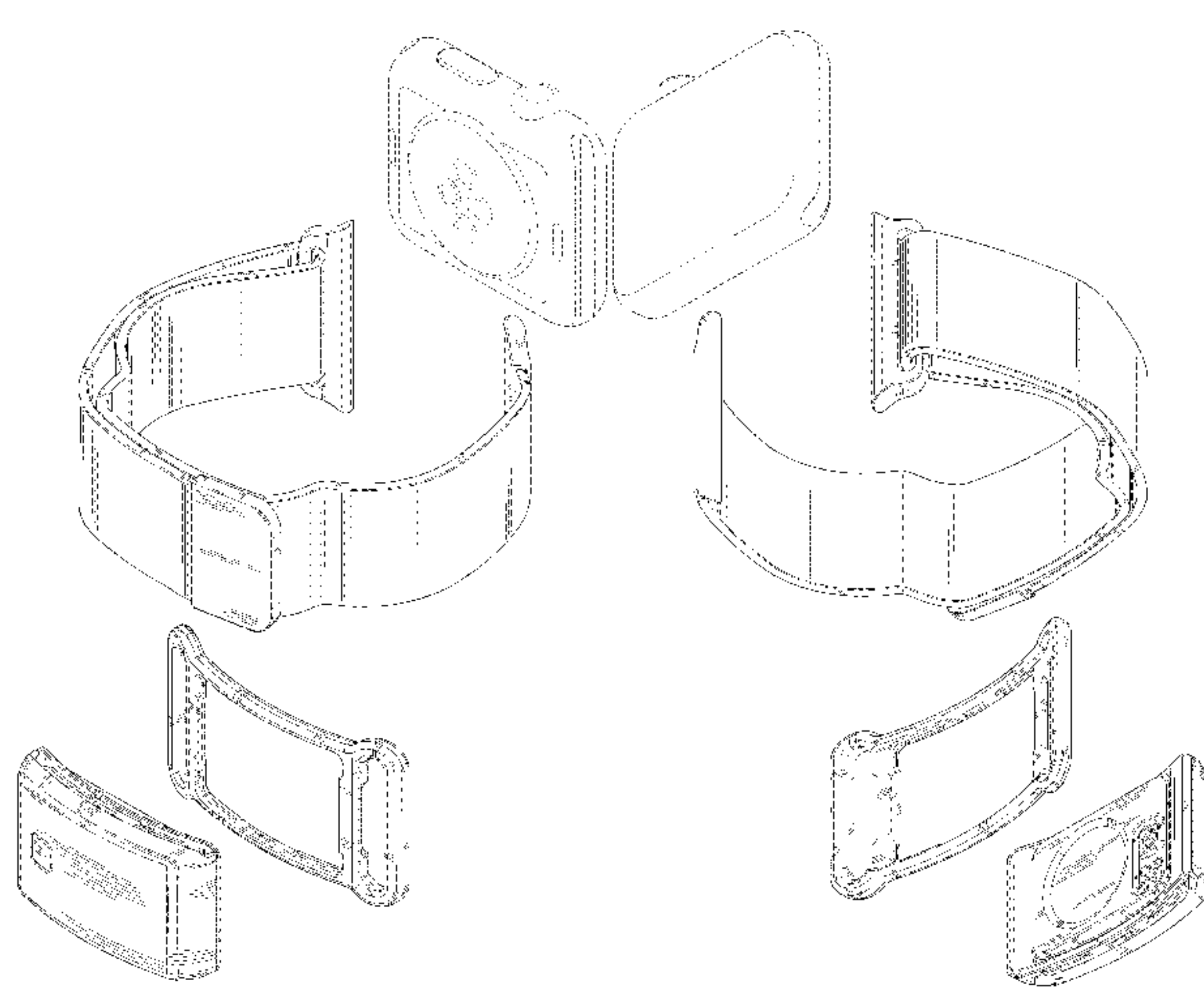
(57) **CLAIM**

We claim the ornamental design for a biomonitoring wristband, as shown and described.

DESCRIPTION

FIG. 1 is an isometric view from the front, bottom, right of an exploded view of the biomonitoring wristband.
FIG. 2 is an isometric view from the back, top, left of an exploded view of the biomonitoring wristband.
FIG. 3 is an elevation view from the front of an exploded view of the biomonitoring wristband.
FIG. 4 is an elevation view from the back of an exploded view of the biomonitoring wristband.
FIG. 5 is an elevation view from the right of an exploded view of the biomonitoring wristband; and,
FIG. 6 is an elevation view from the left of an exploded view of the biomonitoring wristband.

(Continued)



The broken lines depict environment that forms no part of the claimed design.

1 Claim, 5 Drawing Sheets

(58) Field of Classification Search

CPC ... A61B 5/0537; A61B 5/4872; A61B 5/6831;
A61B 5/4869; A61B 5/0858; A61B
5/1075; A61B 5/107; A61B 5/4875; A61B
5/4878; A61B 5/4881; A61B
5/61-5/6898; A61B 71/00; A61B
5/02416; A61B 5/1118; A61B 2/721;
A61B 5/002; A61B 5/112; A61B 5/1122;
A61B 5/746; A61B 5/6823; A61B 5/72;
A61B 5/7445; A61B 5/0022; A61B
5/14532; A63C 11/02; G04R 20/02;
G04C 10/00; G04C 10/02; G08B
21/0269; G08B 21/0272; G08B 21/0286;
G08B 21/0288; G08B 21/0291; G08B
21/04-21/2454; G01S 19/00-19/55;
G04G 9/0064; G04G 9/0005; G04G
17/00; G04G 17/08; G04G 17/04; G04G
21/02; G04G 21/00; G04G 21/08; A41D
1/02; G09F 3/005; G06Q 10/00; G06Q
50/00; G09B 9/00; G09B 19/00; G04F
10/00

See application file for complete search history.

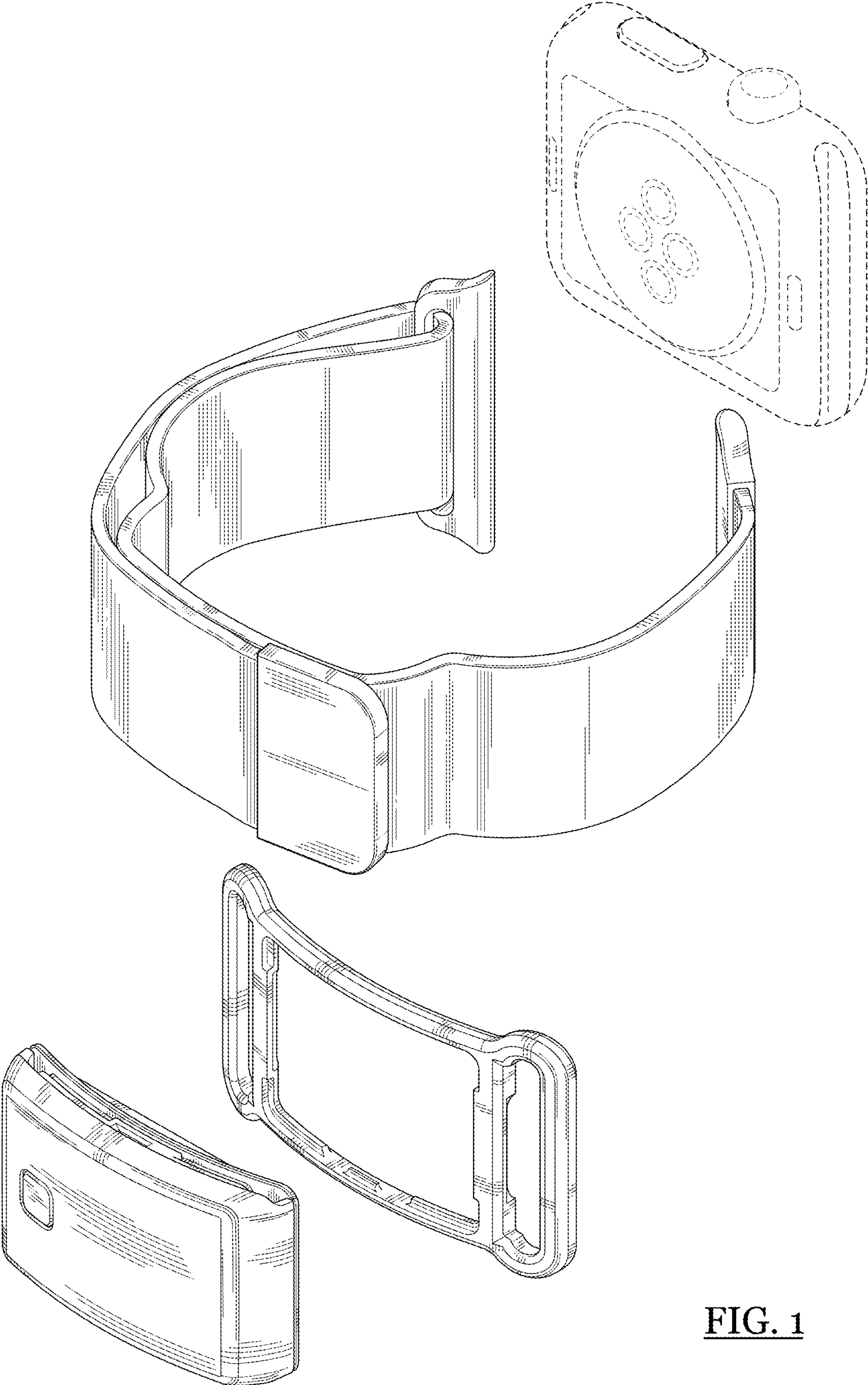


FIG. 1

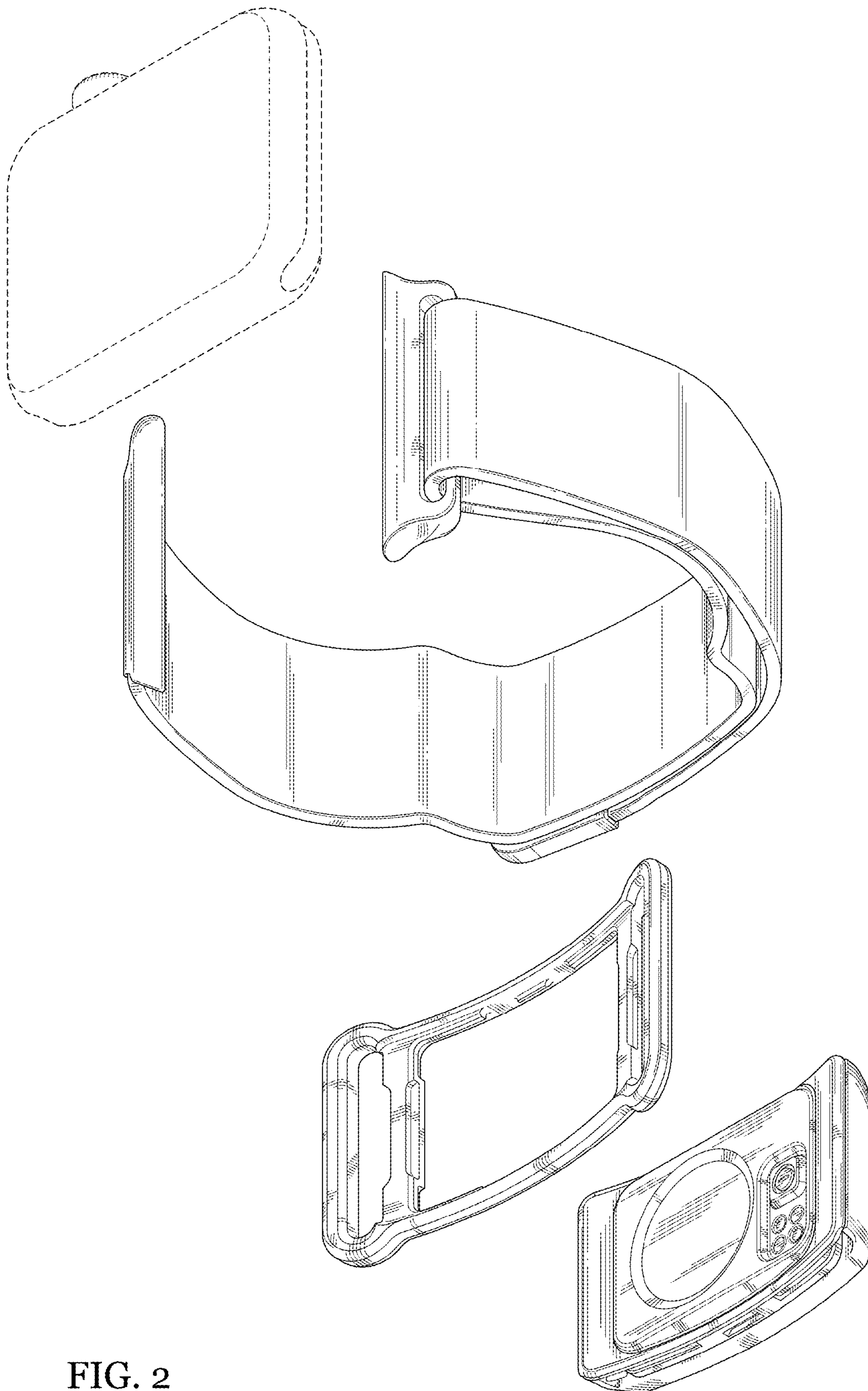


FIG. 2

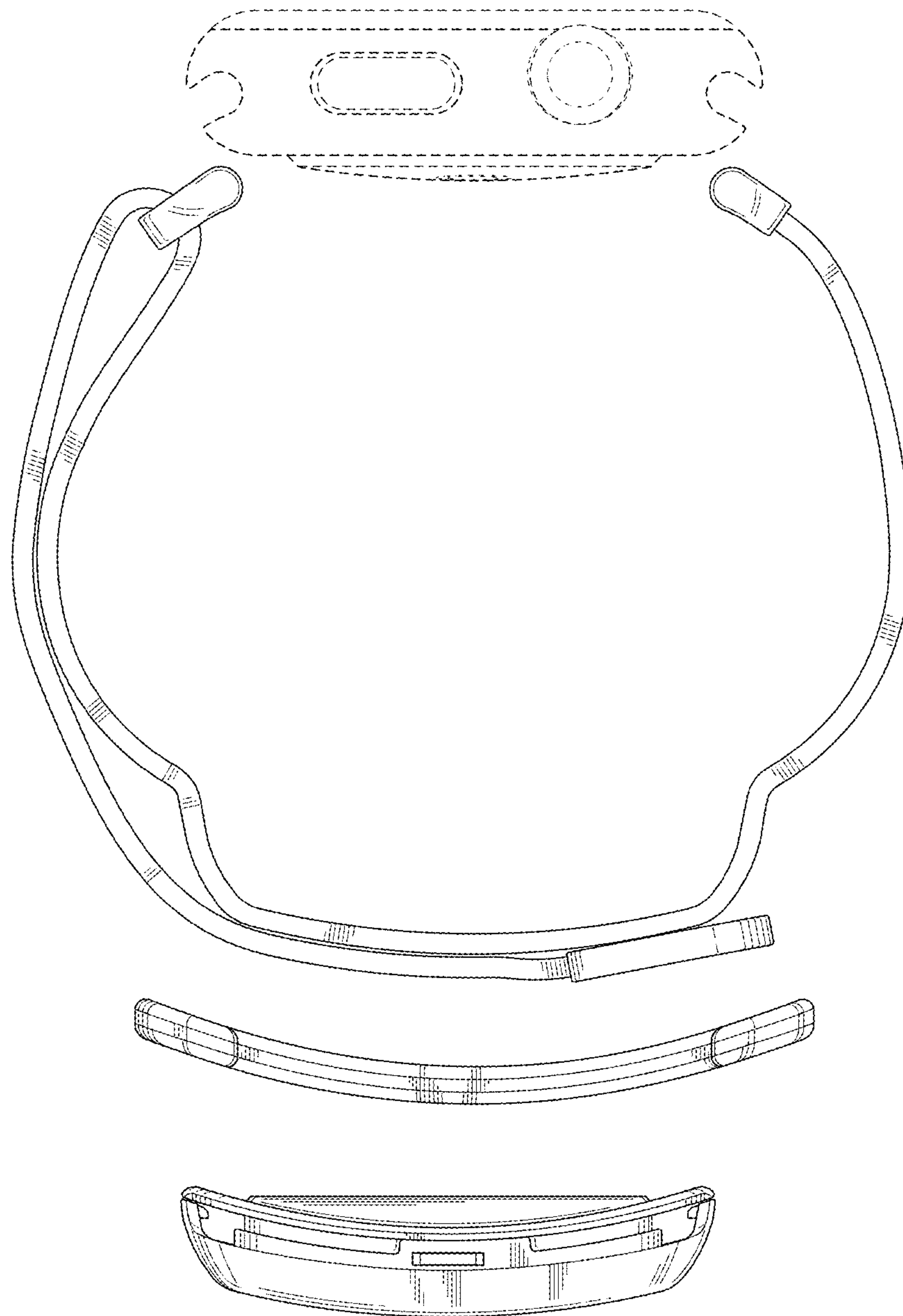


FIG. 3

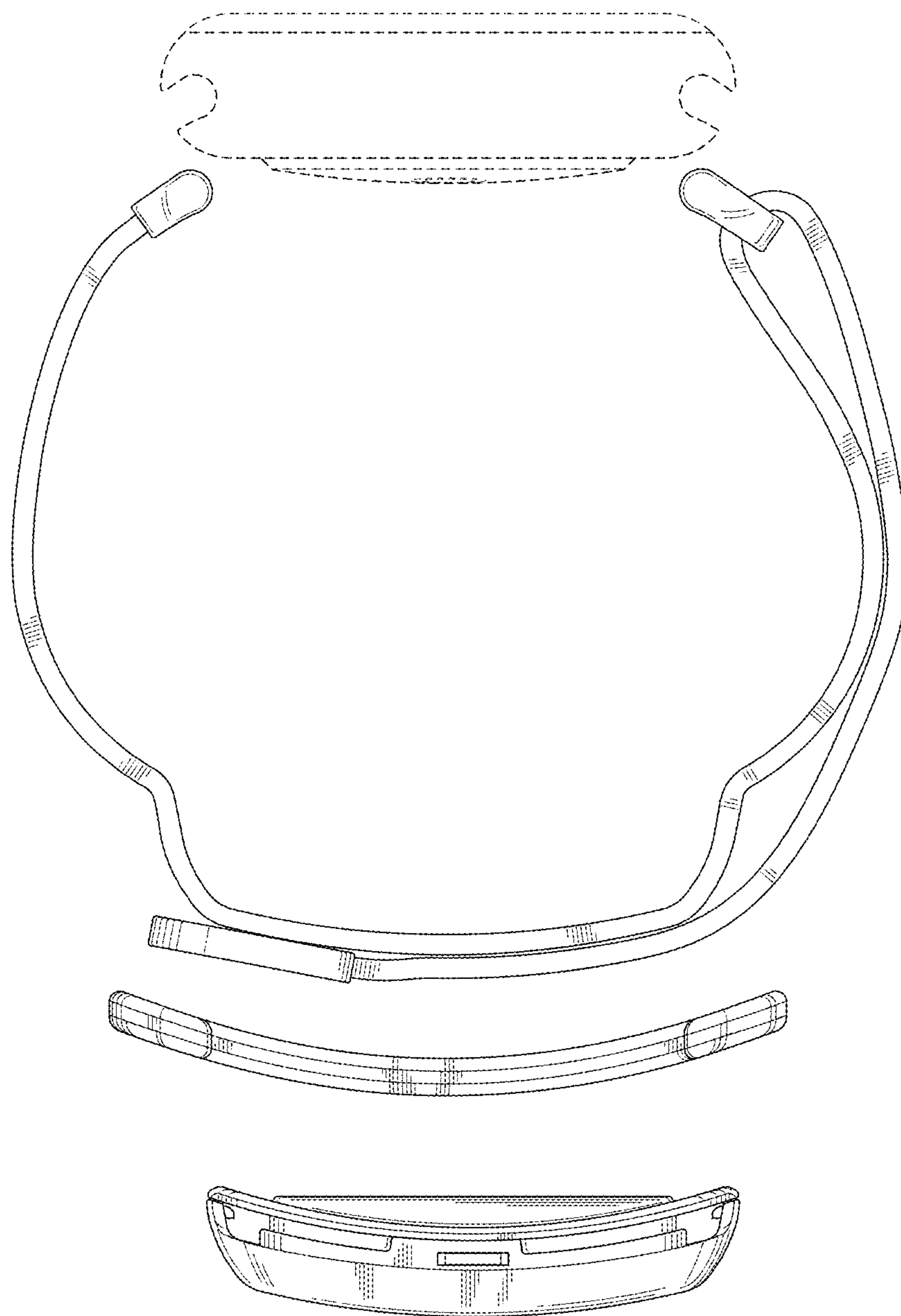


FIG. 4

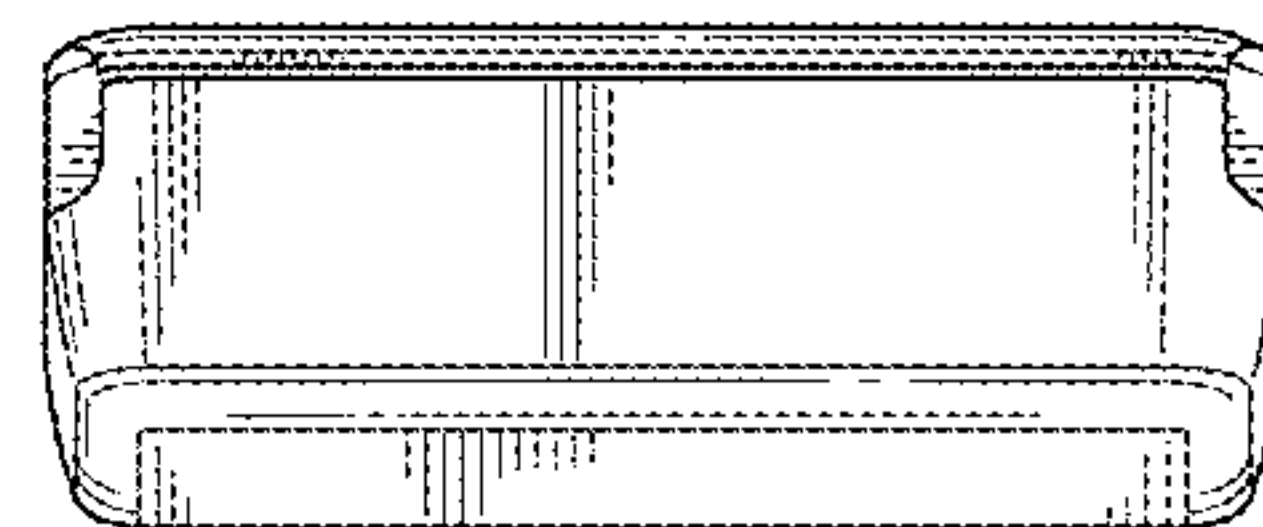
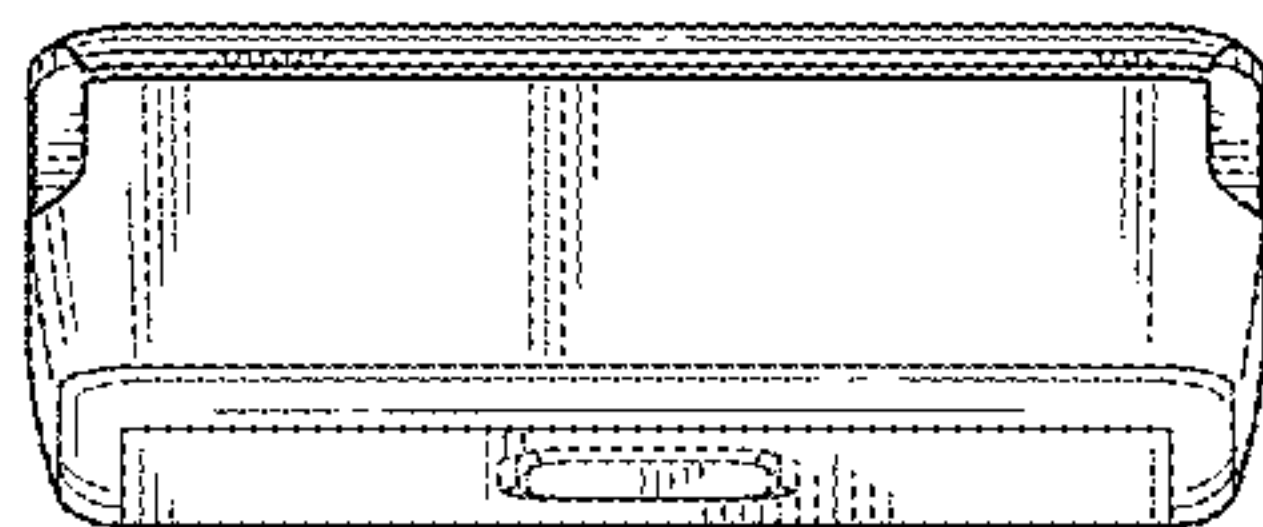
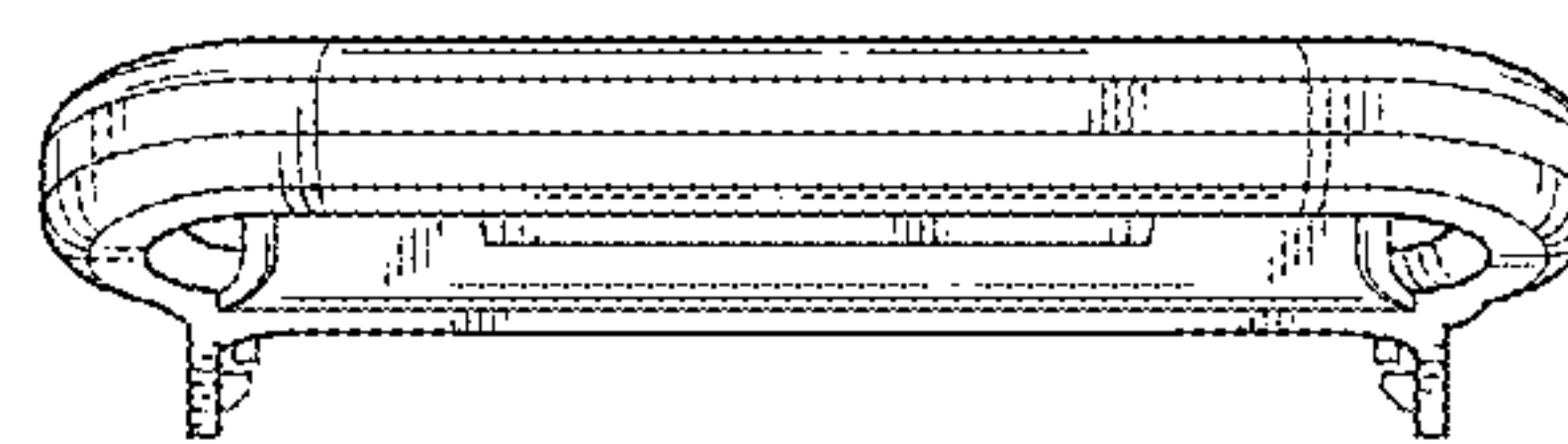
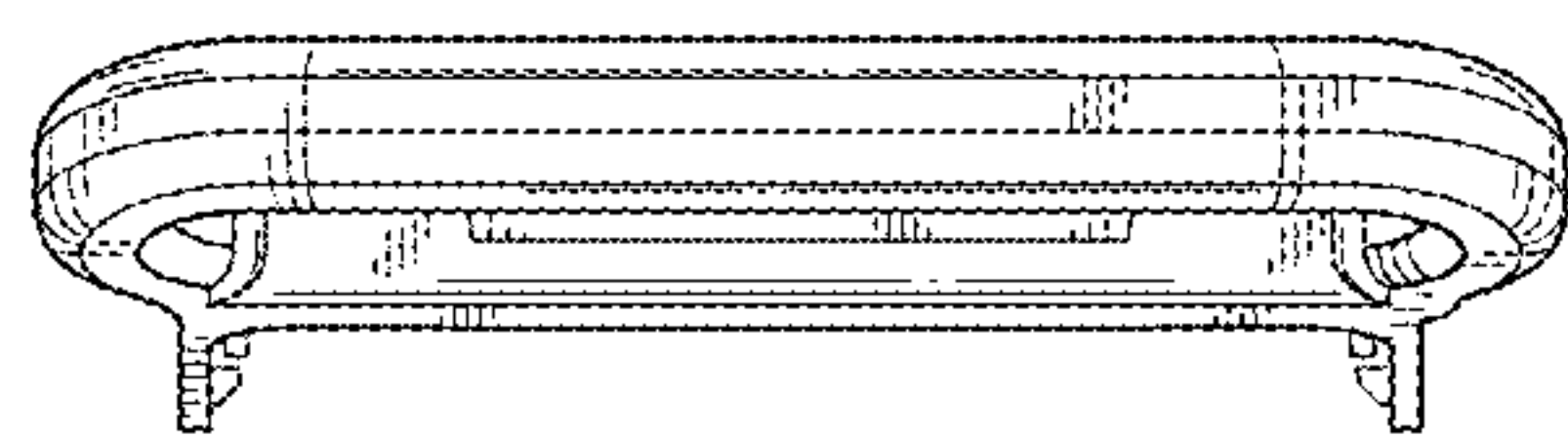
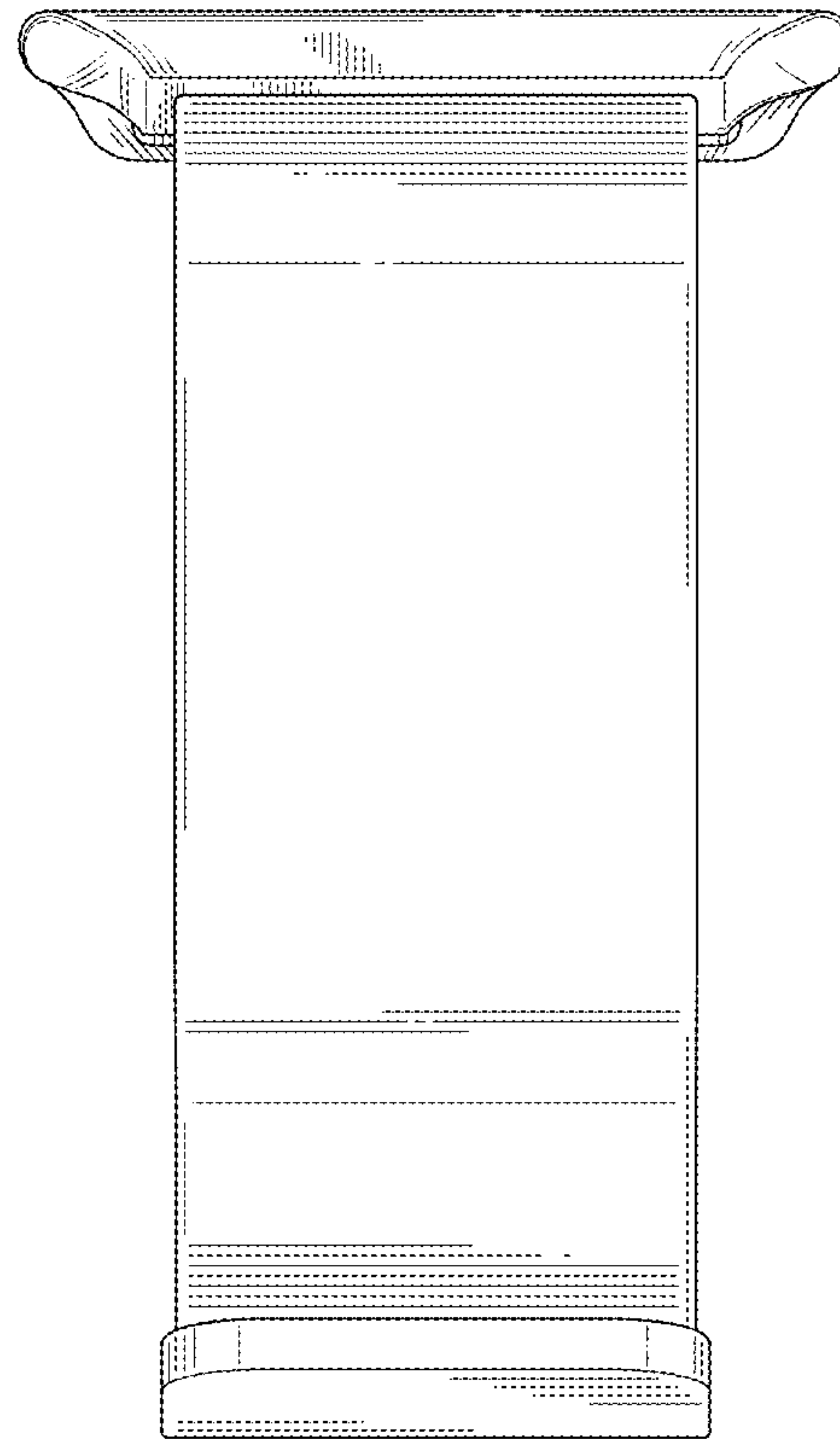
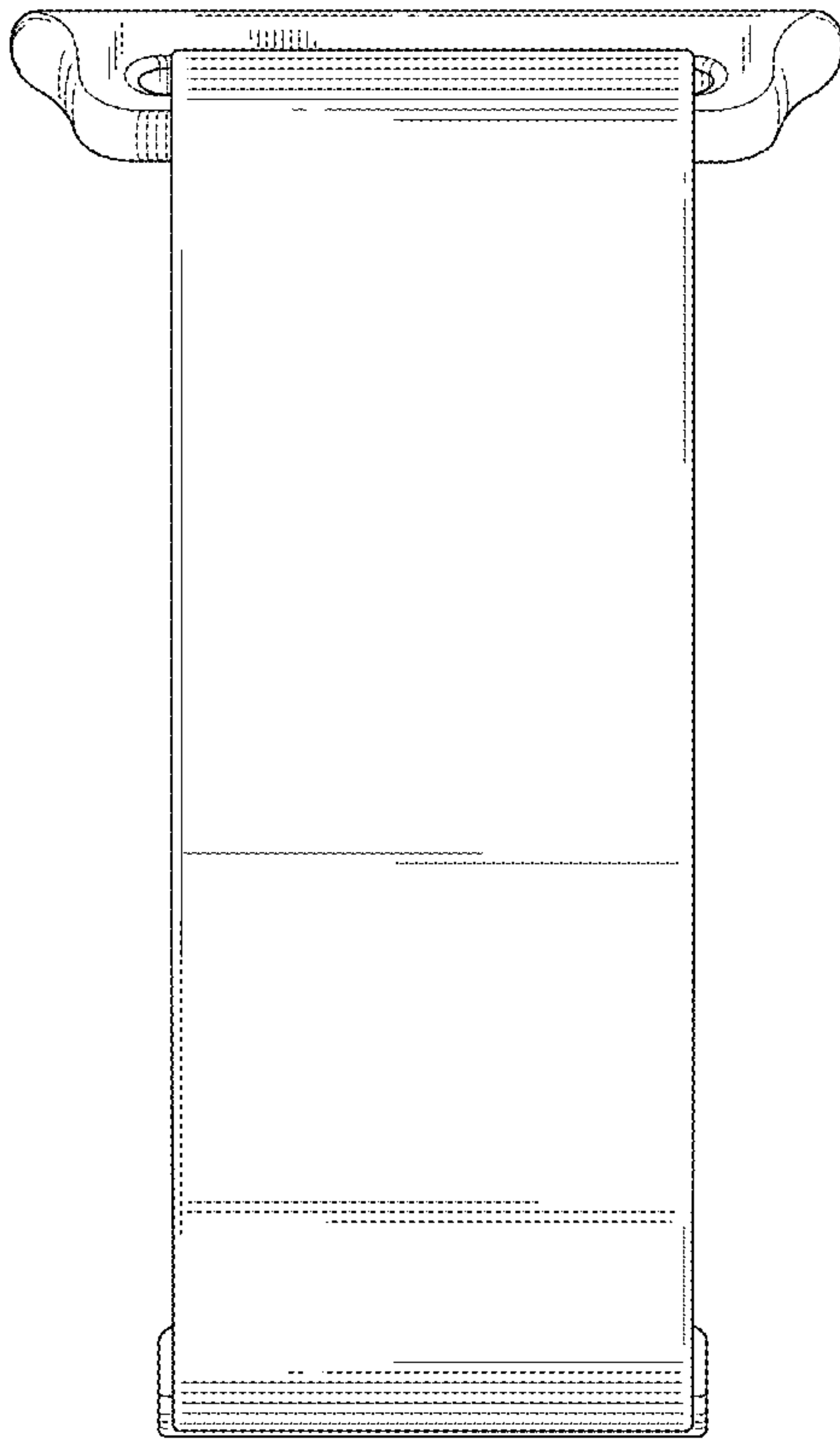
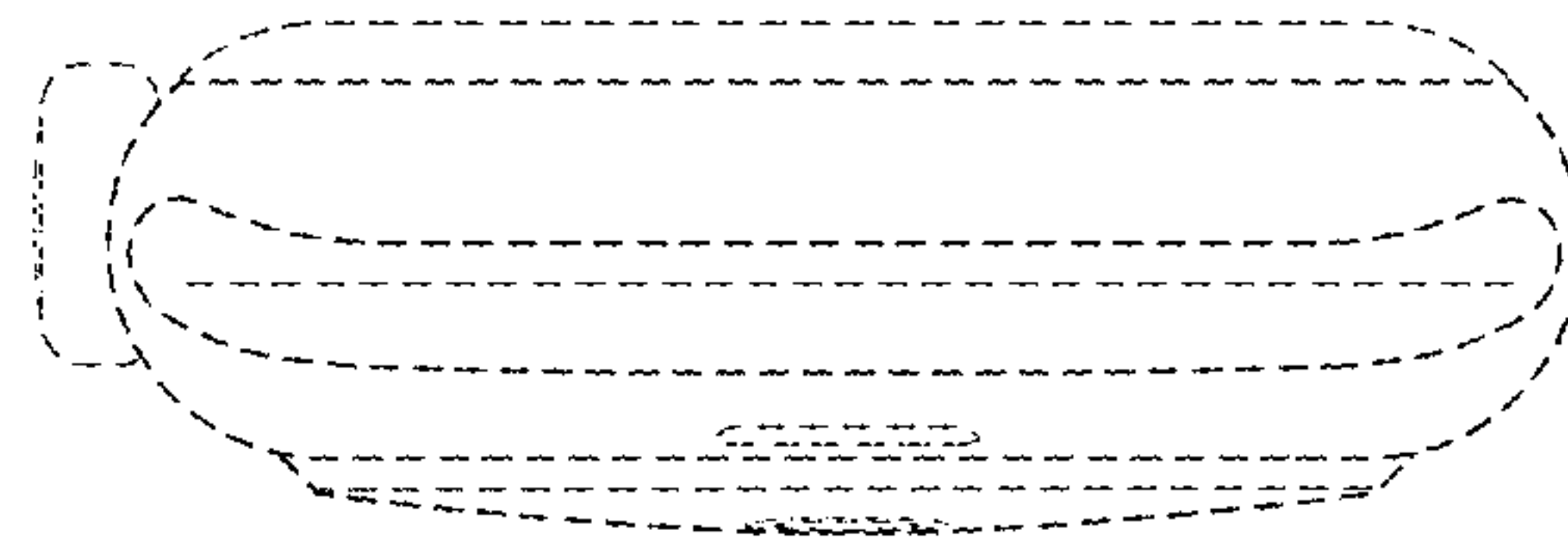
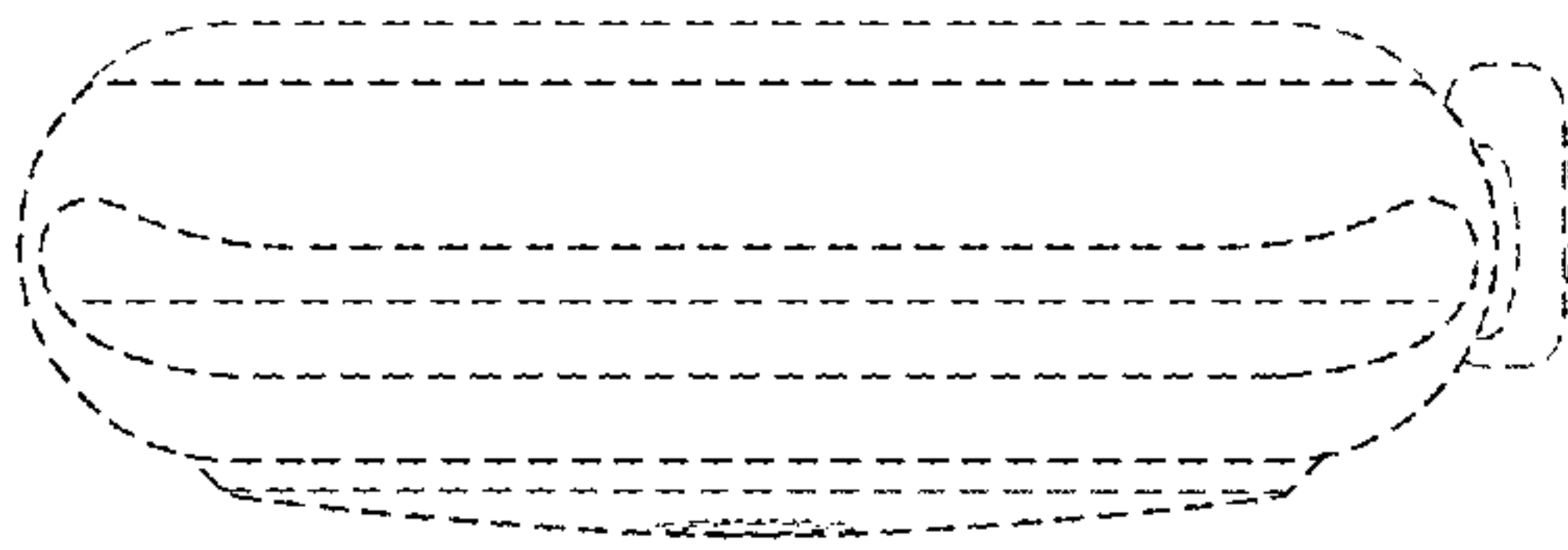


FIG. 5

FIG. 6