



US00D939361S

(12) **United States Design Patent**
Yang et al.

(10) **Patent No.:** **US D939,361 S**

(45) **Date of Patent:** **** Dec. 28, 2021**

(54) **TEMPERATURE AND HUMIDITY GAUGE**

D820,123 S *	6/2018	Chou	D10/70
D838,190 S *	1/2019	Lai	D10/53
D858,319 S *	9/2019	Liu	D10/57
D860,829 S *	9/2019	Yun	D10/53

(71) Applicant: **ETEK CITY CORPORATION**,
Anaheim, CA (US)

FOREIGN PATENT DOCUMENTS

(72) Inventors: **Lin Yang**, Shenzhen (CN); **Hai Yang**,
Shenzhen (CN)

CN	303238377	*	6/2015
CN	305013957	*	1/2019

(**) Term: **15 Years**

* cited by examiner

(21) Appl. No.: **29/706,984**

Primary Examiner — Leanne Was-Englehart

(22) Filed: **Sep. 25, 2019**

(74) *Attorney, Agent, or Firm* — Tsz Lung Yeung

(30) **Foreign Application Priority Data**

(57) **CLAIM**

Mar. 26, 2019 (CN) 201930127323.0

The ornamental design for a temperature and humidity gauge, as shown and described.

(51) **LOC (13) Cl.** **10-04**

DESCRIPTION

(52) **U.S. Cl.**
USPC **D10/53**

(58) **Field of Classification Search**
USPC D10/49, 50, 51, 52, 53, 56, 57
CPC ... G01N 27/121; G01N 27/123; G01D 11/245
See application file for complete search history.

FIG. 1 is a perspective view of a temperature and humidity gauge showing my new design;
FIG. 2 is a front view thereof;
FIG. 3 is a rear view thereof;
FIG. 4 is a right side view thereof;
FIG. 5 is a left side view thereof;
FIG. 6 is a top view thereof; and,
FIG. 7 is a bottom view thereof.

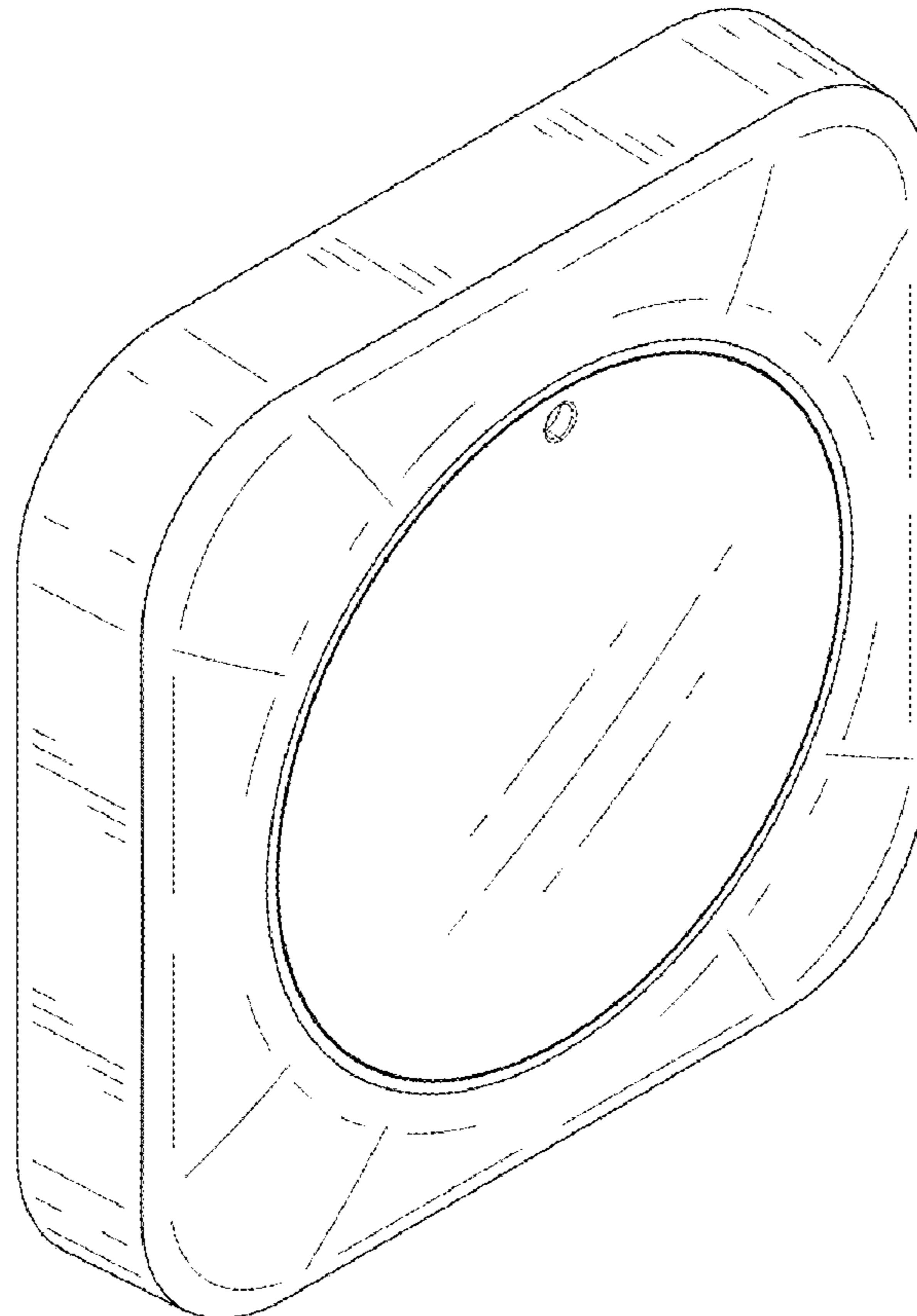
(56) **References Cited**

The broken lines in the figures illustrate portions of the temperature and humidity gauge that form no part of the claimed design.

U.S. PATENT DOCUMENTS

D319,403 S *	8/1991	Tiedemann	D10/50
D365,528 S *	12/1995	Shibuya	D10/81
D536,274 S *	2/2007	Rosenblatt	D10/106.2

1 Claim, 7 Drawing Sheets



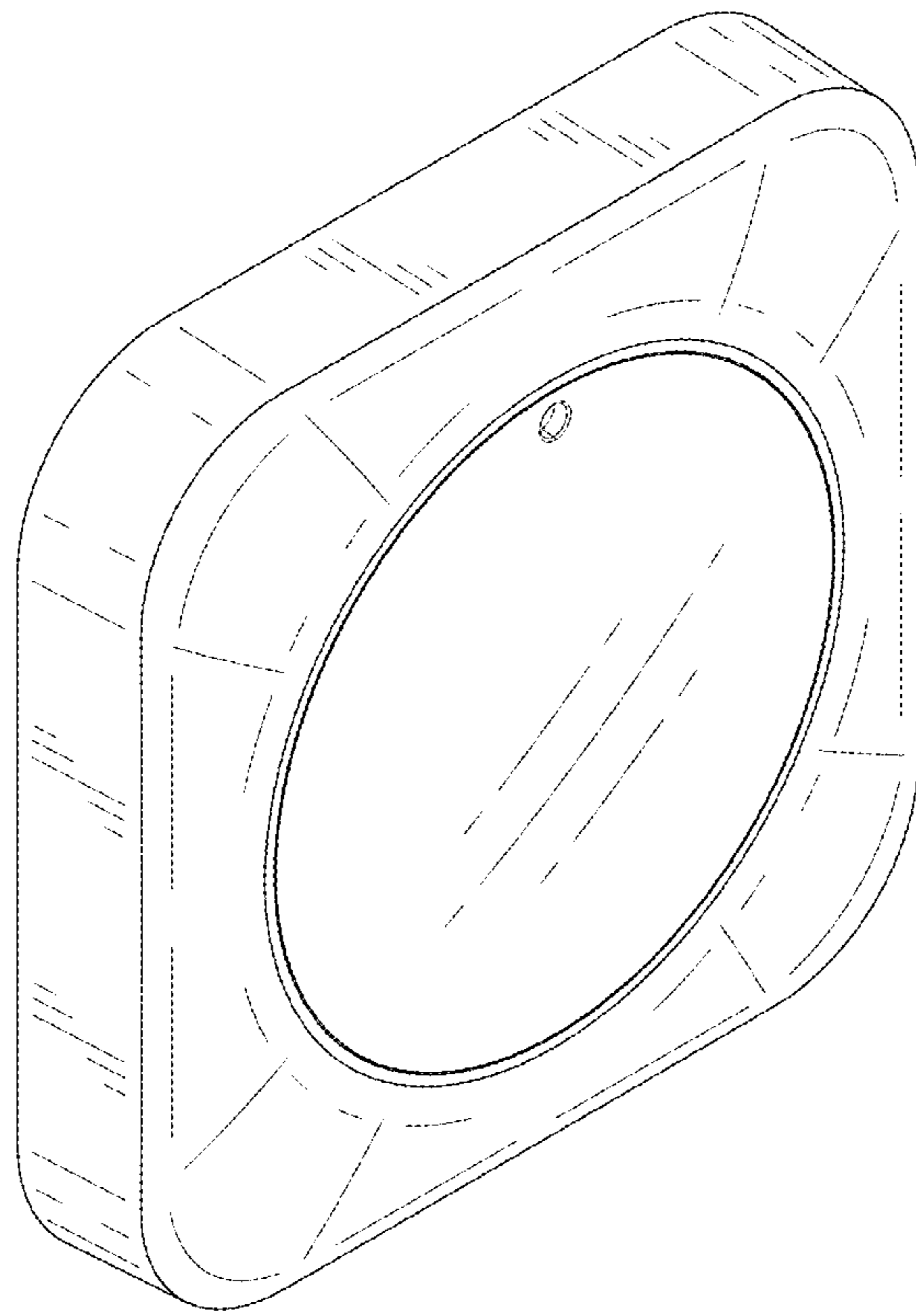


FIG. 1

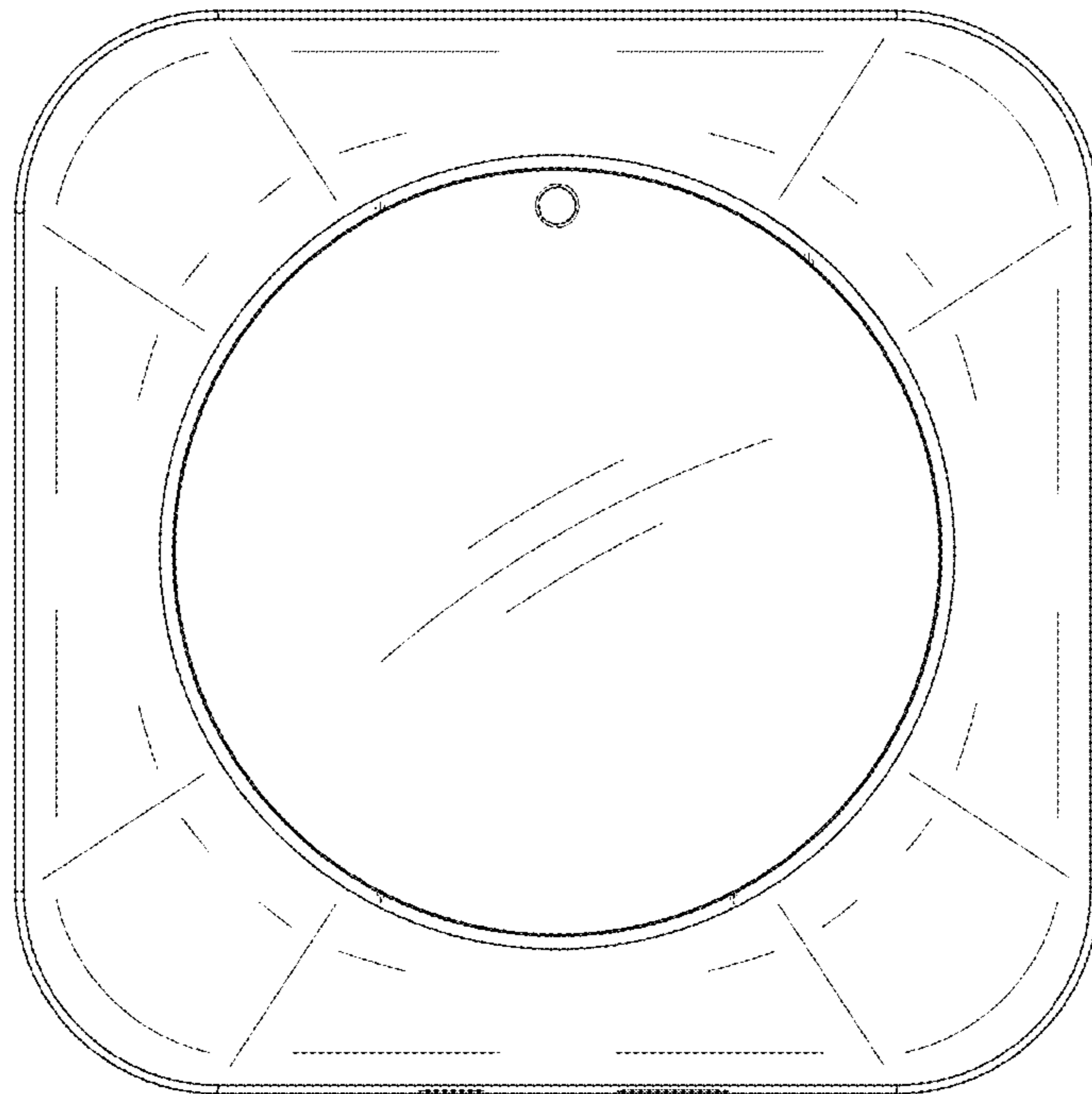


FIG. 2

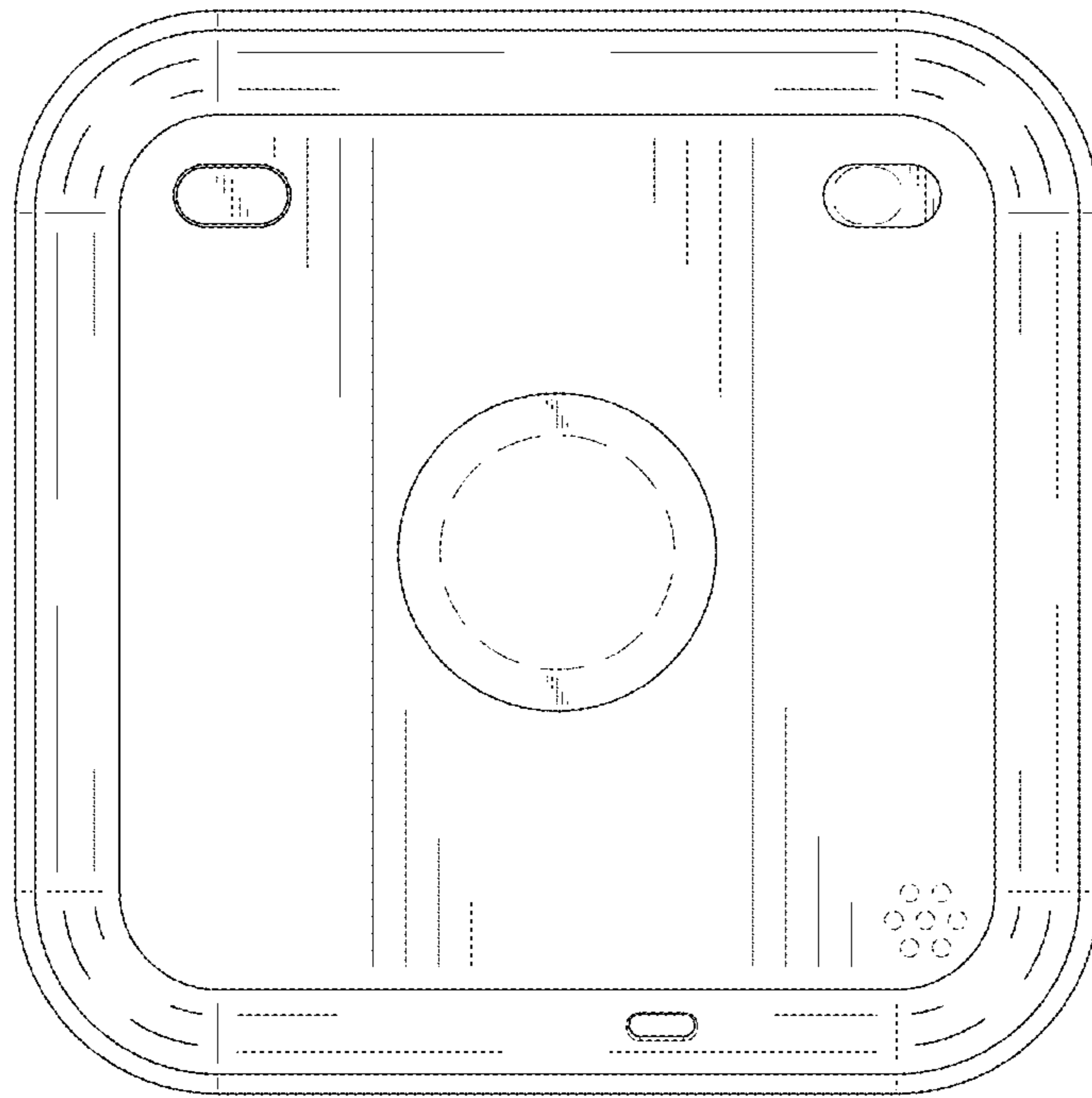


FIG. 3

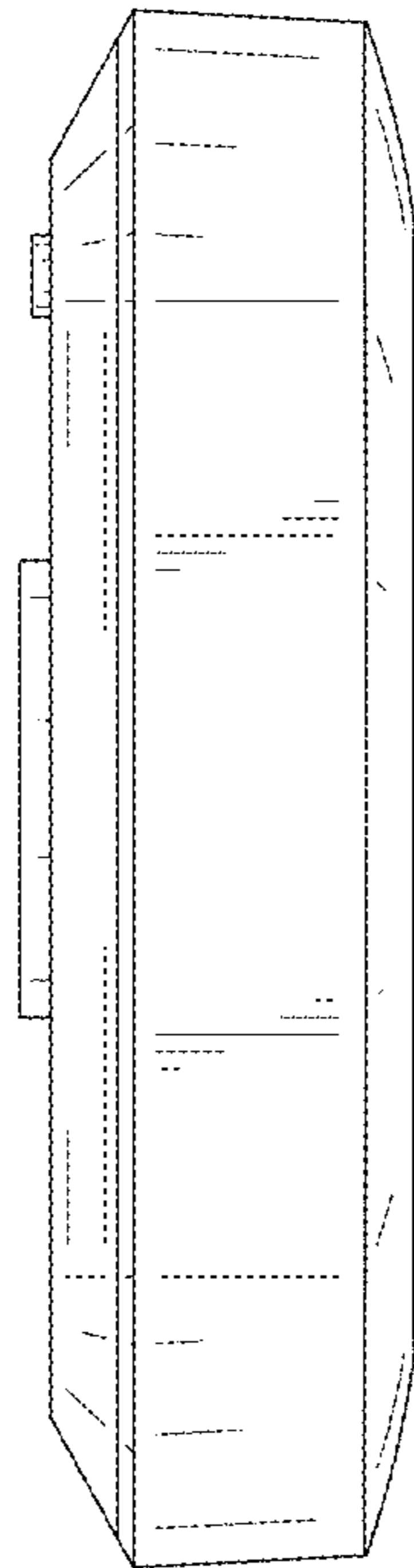


FIG. 4

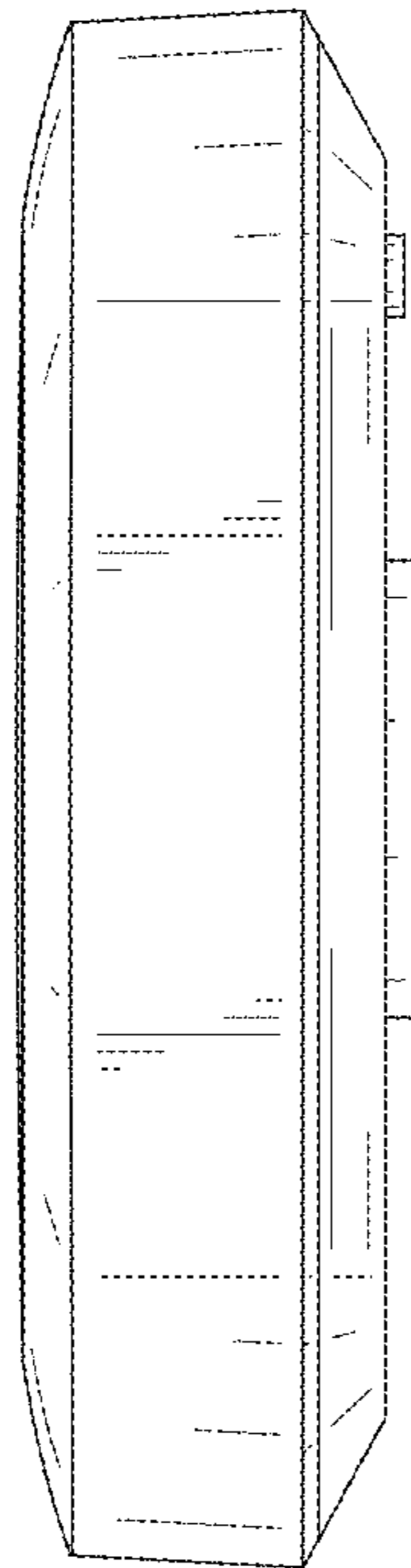


FIG. 5

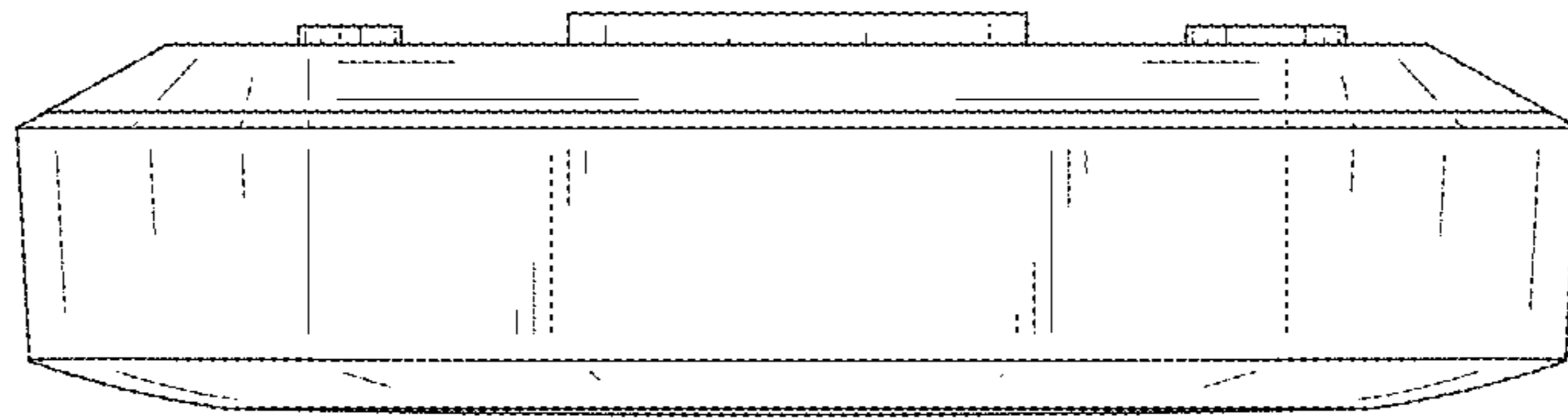


FIG. 6

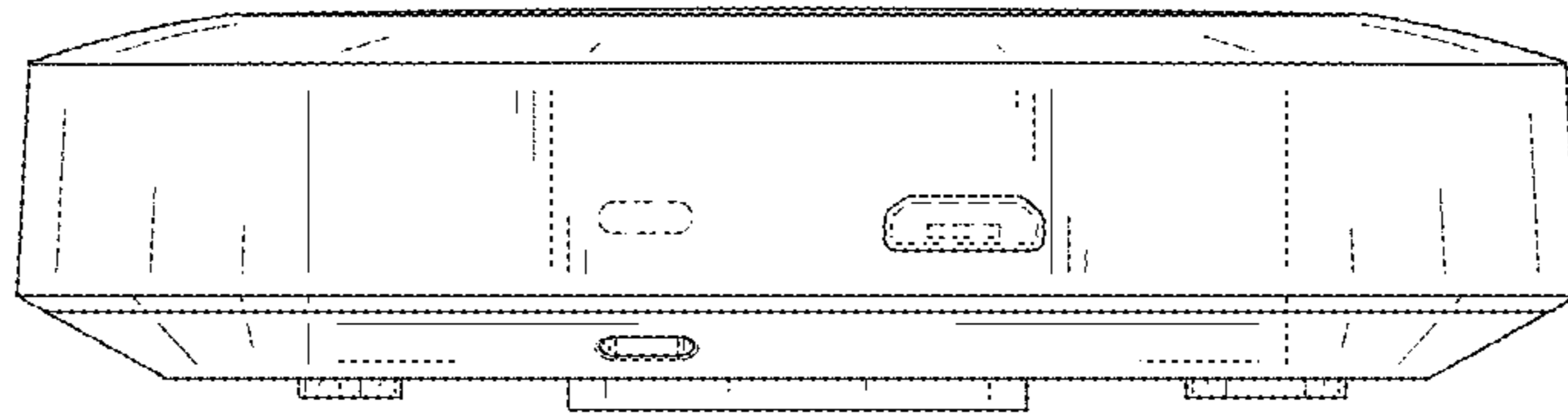


FIG. 7