



US00D939360S

(12) **United States Design Patent** (10) **Patent No.:** **US D939,360 S**
Qu (45) **Date of Patent:** **** Dec. 28, 2021**

(54) **WATCH CASE**

(71) Applicant: **Hailin Qu**, Liuyang (CN)

(72) Inventor: **Hailin Qu**, Liuyang (CN)

(**) Term: **15 Years**

(21) Appl. No.: **29/771,398**

(22) Filed: **Feb. 23, 2021**

(30) **Foreign Application Priority Data**

Feb. 4, 2021 (CN) 202130081283.8

(51) **LOC (13) Cl.** **10-02**

(52) **U.S. Cl.**
USPC **D10/32; D11/3**

(58) **Field of Classification Search**
USPC D10/30-39, 132; D11/3; D14/344, 440
CPC A44C 5/00; A44C 5/0007; A44C 5/0023;
A44C 5/0053; A44C 5/147; A44C 5/18
See application file for complete search history.

(56) **References Cited**

U.S. PATENT DOCUMENTS

- D387,298 S * 12/1997 Hanagata D11/3
- D407,342 S * 3/1999 Ishizaka D11/3
- D602,386 S * 10/2009 Ueda D10/32
- D612,749 S * 3/2010 Loth D10/32
- D640,143 S * 6/2011 Virgili D10/32
- D659,027 S * 5/2012 Yurman D10/32
- D709,476 S * 7/2014 Park D14/138 R
- D711,760 S * 8/2014 Savoy D11/3
- D713,280 S * 9/2014 Lalo D11/3
- D768,858 S * 10/2016 Komulainen D24/167
- D799,344 S * 10/2017 Wright D10/30
- D806,580 S * 1/2018 Harada
- D812,051 S * 3/2018 Park D14/344
- D834,439 S * 11/2018 Monachon D11/3
- D843,232 S * 3/2019 Michele D10/39
- D852,648 S * 7/2019 Chen D10/32
- D860,037 S * 9/2019 Vandenbussche D11/94

- D885,956 S * 6/2020 Laucella D11/3
- D893,323 S * 8/2020 Xiao D10/70
- D897,868 S * 10/2020 Wright D10/32
- D897,882 S * 10/2020 Yi
- D901,492 S * 11/2020 Gao D14/344
- D915,400 S * 4/2021 Park D14/344
- D927,485 S * 8/2021 Wu D14/344
- D929,243 S * 8/2021 Xu D10/32
- D932,321 S * 10/2021 Jung D10/32

(Continued)

OTHER PUBLICATIONS

CSXBands Transparent Loop Band for Apple Watch | cxsbands.com; no posting date [online]. © 2015-2021, Cxsbands Ltd [retrieved Oct. 21, 2021] from Internet: <<https://www.cxsbands.com/products/transparent-one-piece-loop-band-for-apple-watch?variant=37034807754919>> (Year: 2021).*

(Continued)

Primary Examiner — Katherine Glennon

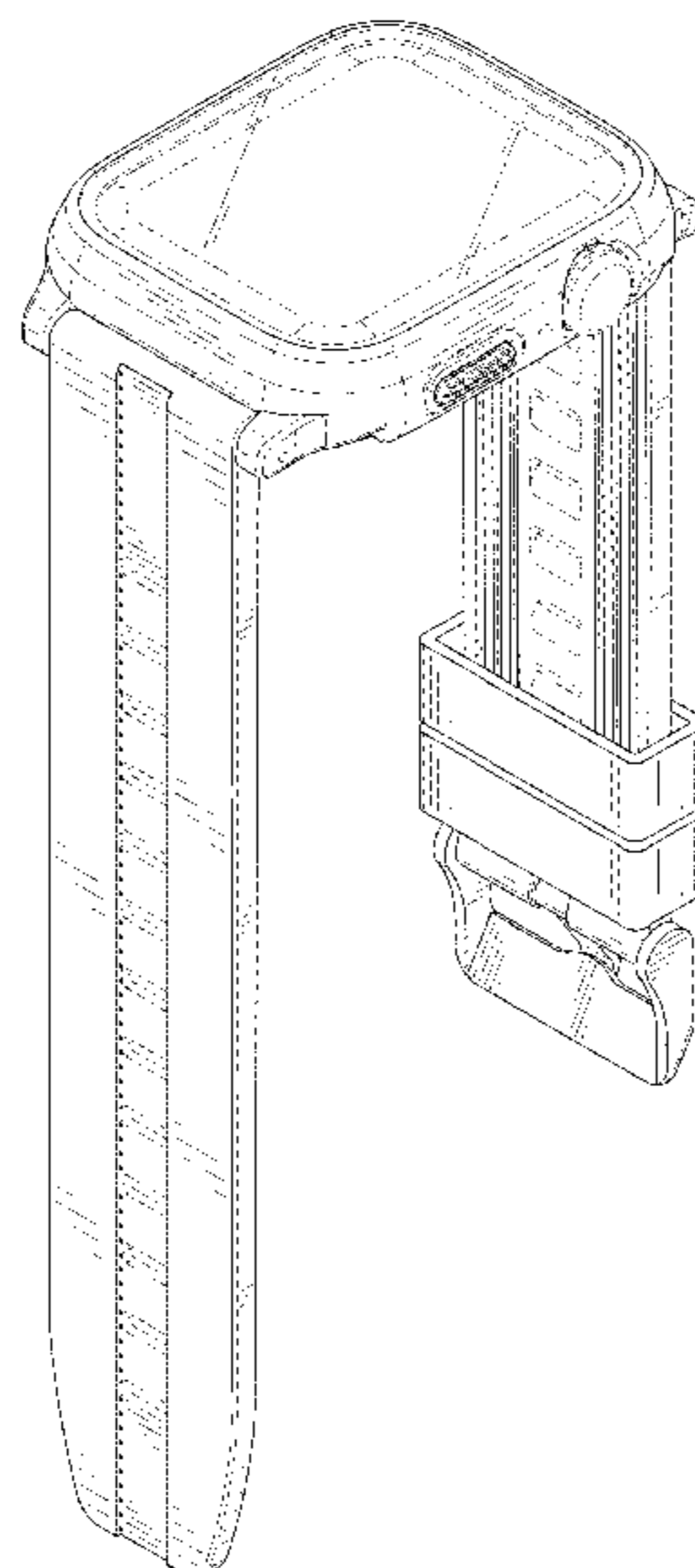
(57) **CLAIM**

The ornamental design for a watch case, as shown and described.

DESCRIPTION

FIG. 1 is a perspective view of a watch case showing my new design;
FIG. 2 is another perspective view thereof;
FIG. 3 is a front elevational view thereof;
FIG. 4 is a rear elevational view thereof;
FIG. 5 is a left side elevational view thereof;
FIG. 6 is a right side elevational view thereof;
FIG. 7 is a top plan view thereof; and,
FIG. 8 is a bottom plan view thereof.
The broken lines in the drawings are for the purpose of illustrating portions of the watch case that form no part of the claimed design.

1 Claim, 8 Drawing Sheets



(56)

References Cited

U.S. PATENT DOCUMENTS

D933,497 S * 10/2021 Panneer Selvam D10/32
2014/0078871 A1* 3/2014 Savoy A44C 5/00
368/282
2019/0099114 A1* 4/2019 Mouradian A61B 5/0002
2019/0365060 A1* 12/2019 Sutherland G06F 1/16
2020/0192296 A1* 6/2020 Sharma A44C 5/18

OTHER PUBLICATIONS

Apple Watch Series 654SE Band Matte Transparent | amazon.com;
date first available Jul. 21, 2021 [online]. © 1996-2021, Amazon.
com, Inc [retrieved Oct. 21, 2021] from Internet: <https://www.amazon.com/NotoCity-Compatible-Transparent-Frosted-Designed/dp/B099ZQXXCJ/ref=sr_1_19?dchild=1&keywords=transparent%2Bwatch%2Bcase%2Bbands&qid=1634865564&sr=8-19&th=1>
(Year: 2021).*

* cited by examiner

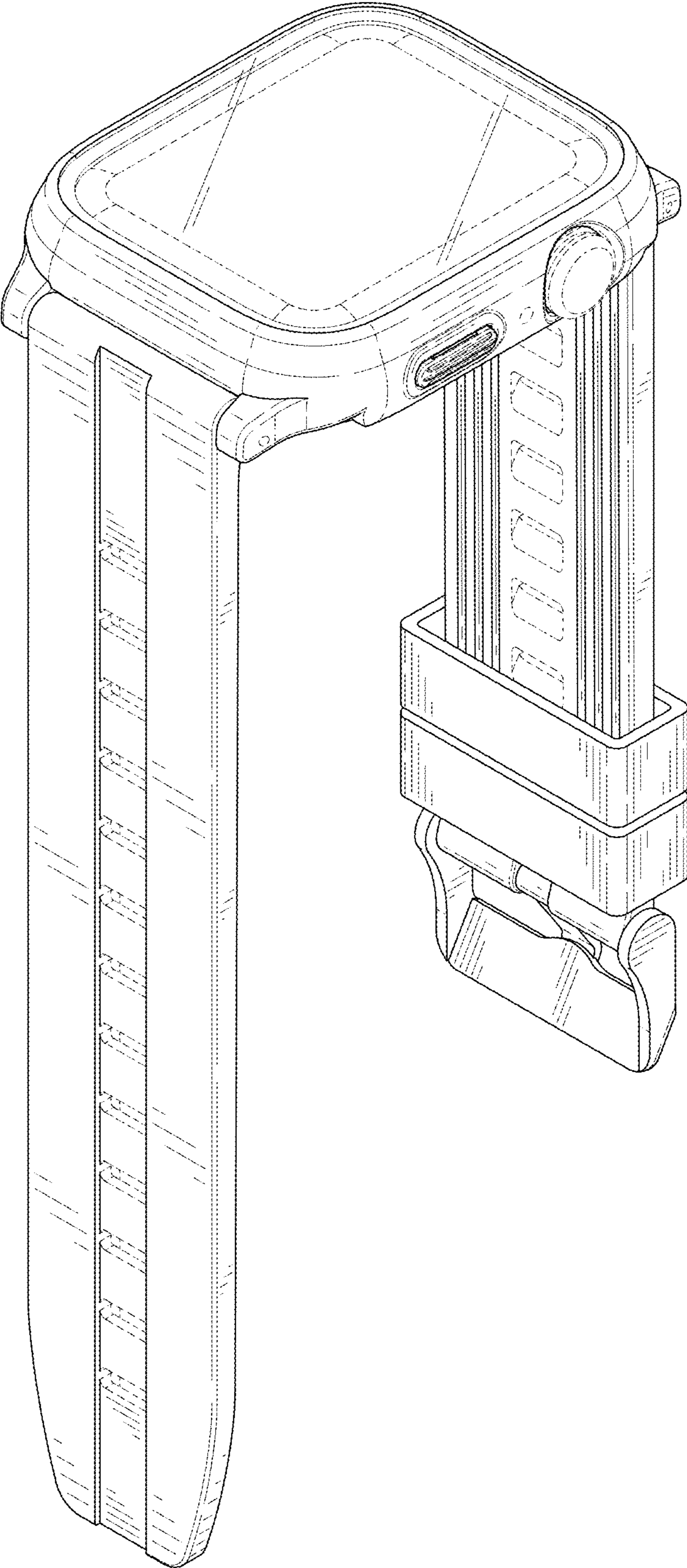


FIG. 1

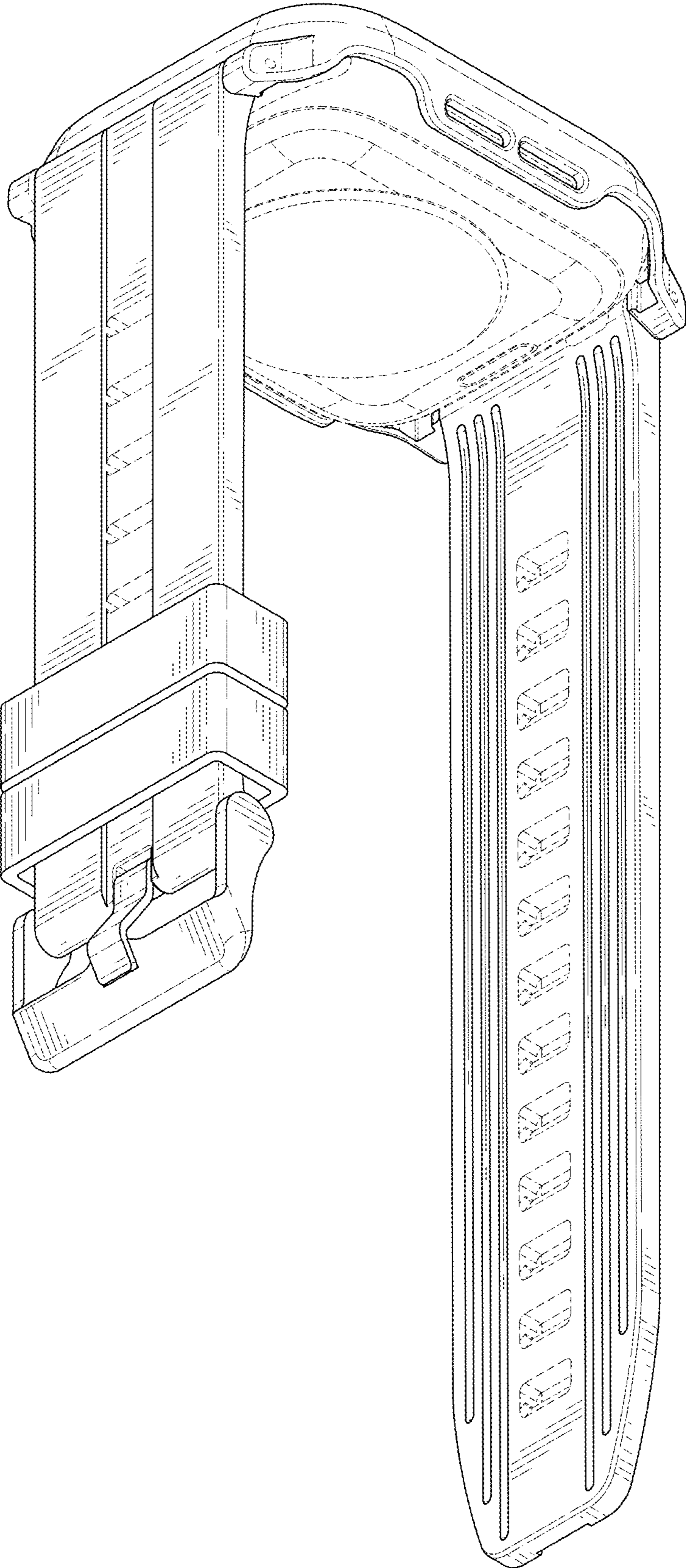


FIG. 2

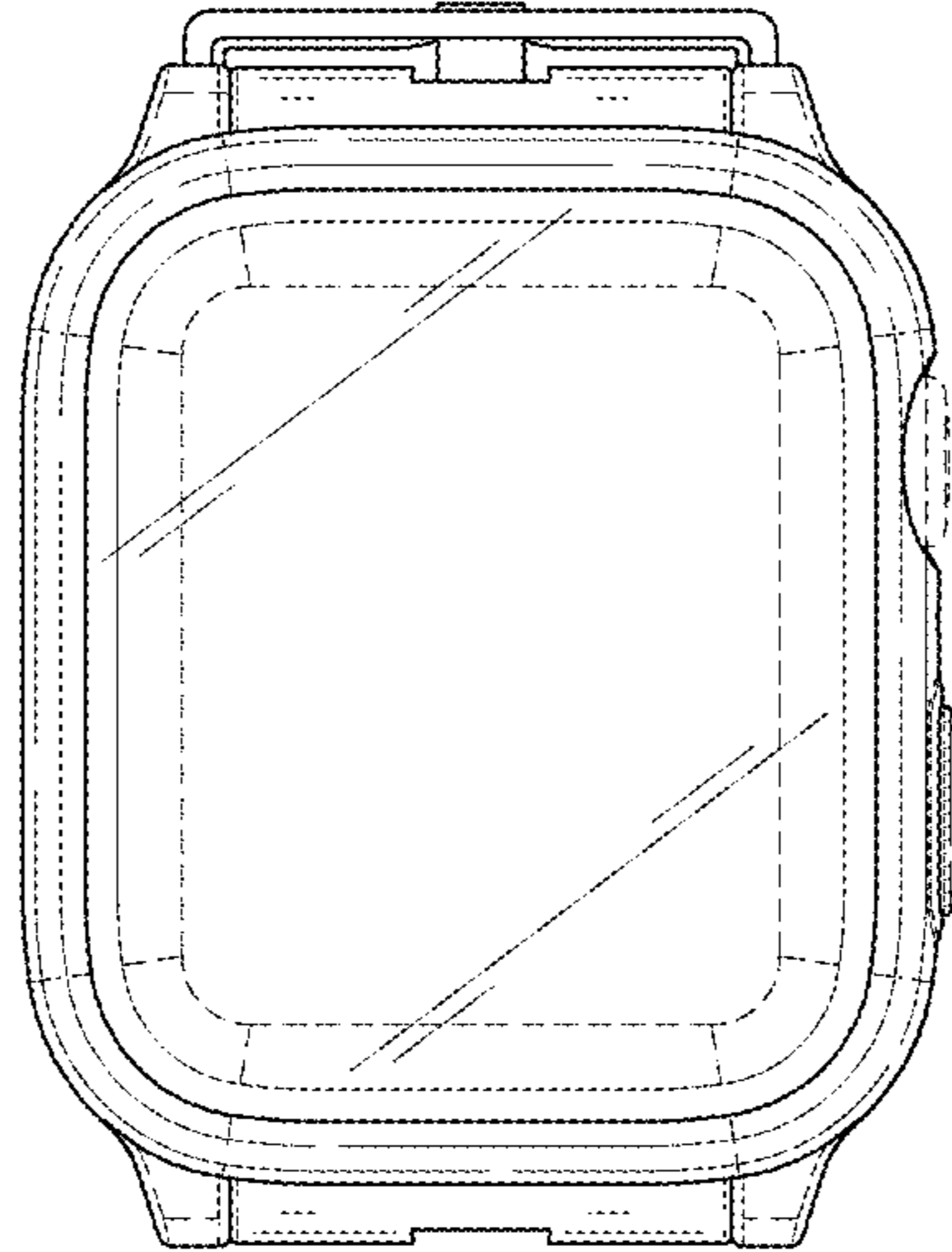


FIG. 3

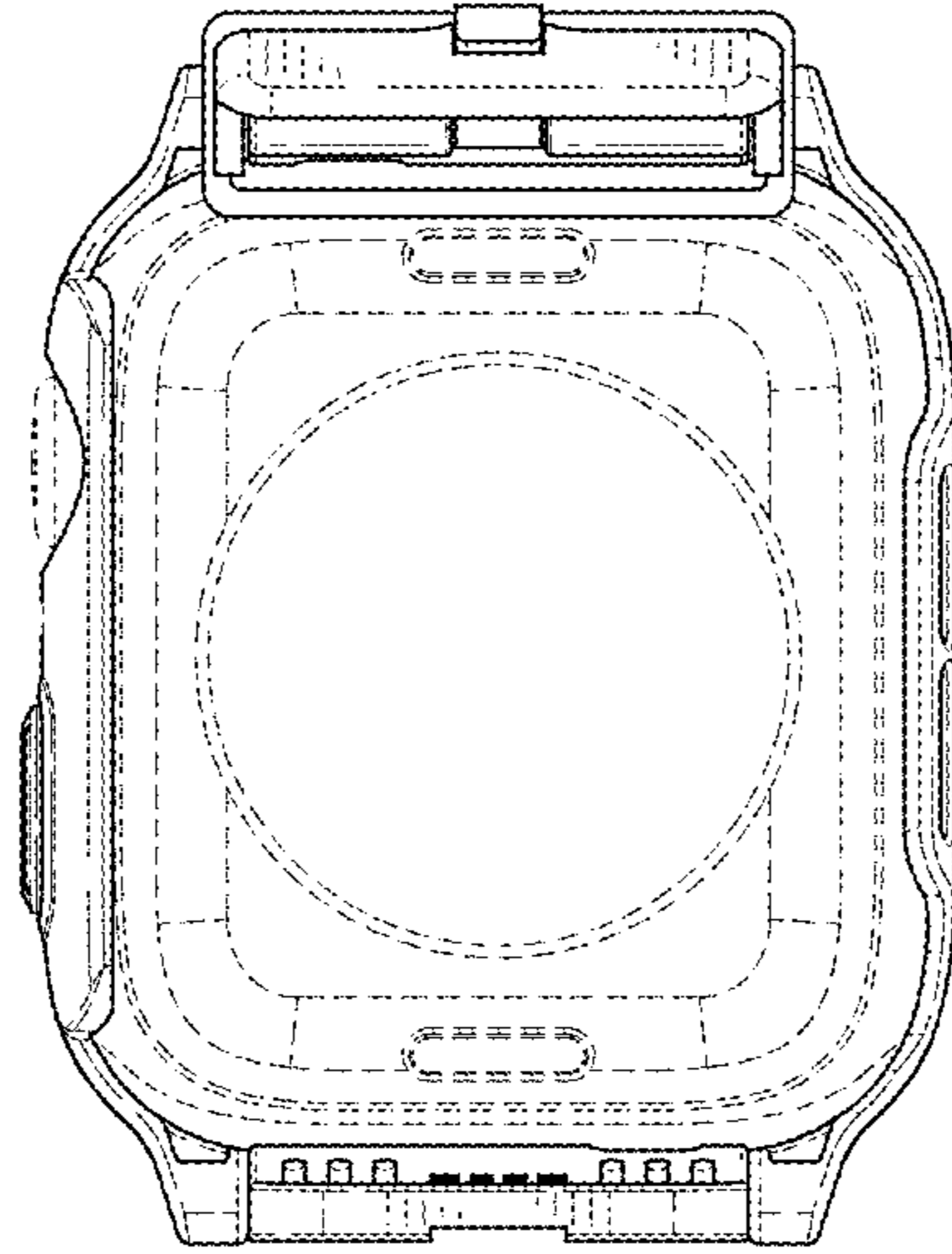


FIG. 4

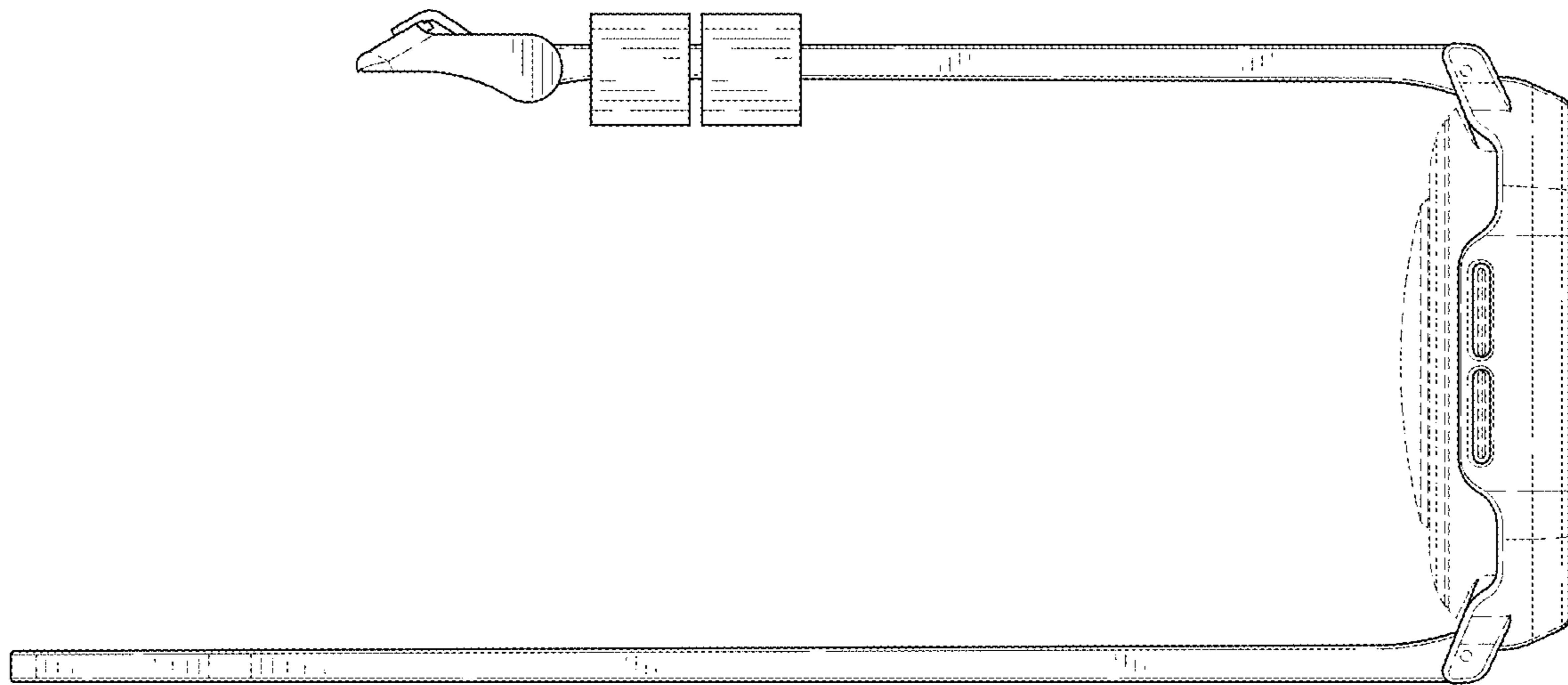


FIG. 5

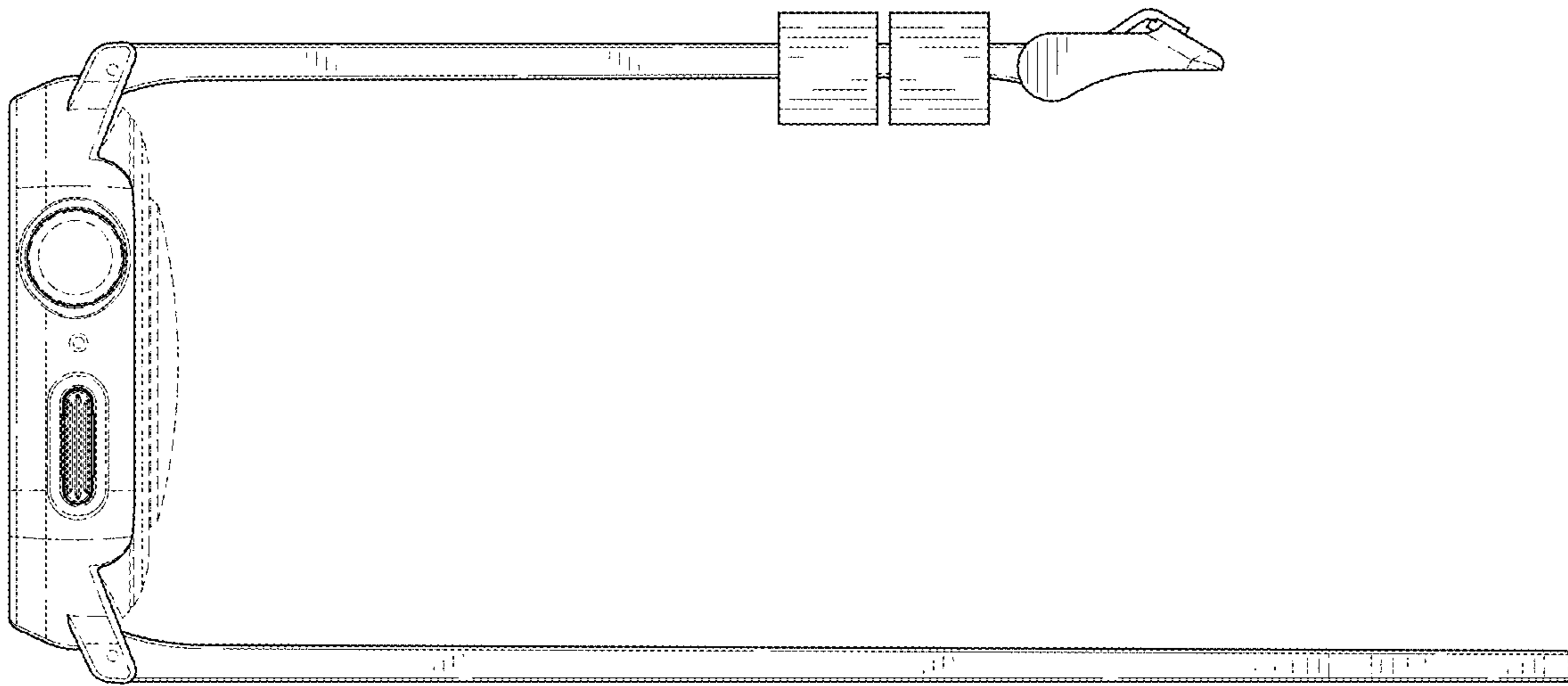


FIG. 6

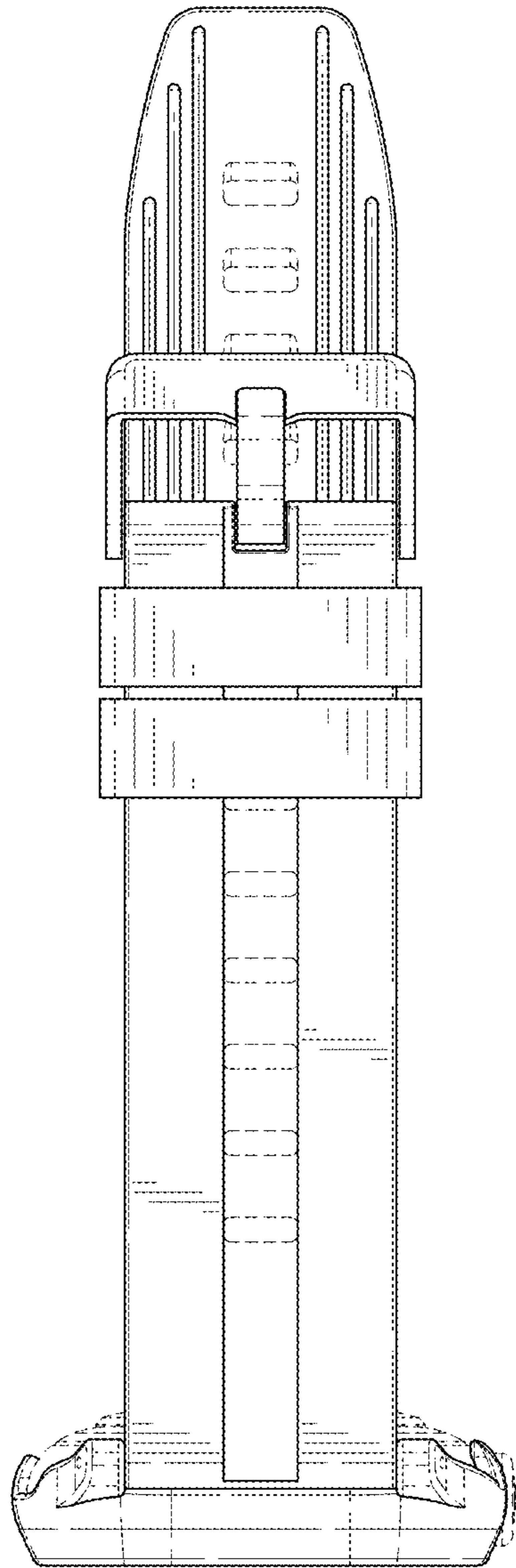


FIG. 7

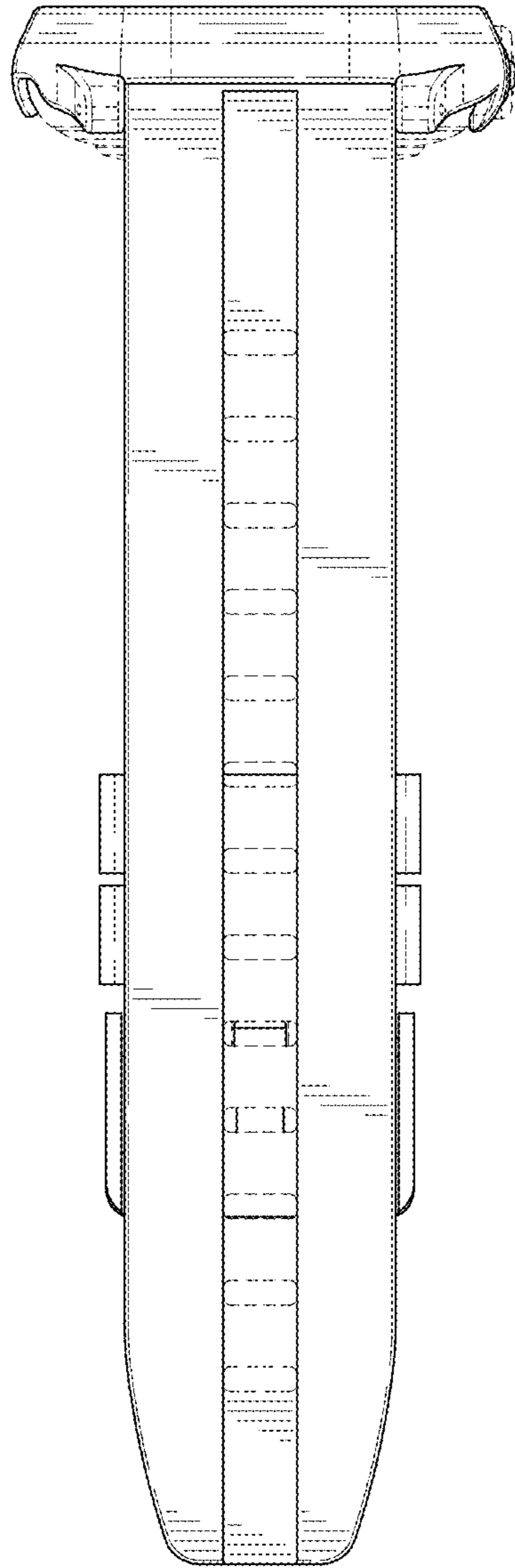


FIG. 8