



US00D939356S

(12) **United States Design Patent**
de France

(10) **Patent No.:** **US D939,356 S**

(45) **Date of Patent:** **** Dec. 28, 2021**

(54) **PERFUME BOTTLE**

(71) Applicant: **Joseph-Marie Pividal**, Paris (FR)

(72) Inventor: **Sylvie de France**, Paris (FR)

(73) Assignee: **Joseph-Marie Pividal**, Paris (FR)

(**) Term: **15 Years**

(21) Appl. No.: **29/607,905**

(22) Filed: **Jun. 16, 2017**

(51) **LOC (13) Cl.** **09-01**

(52) **U.S. Cl.**
USPC **D9/566**; D9/669; D9/651; D9/451;
D9/567; D9/516

(58) **Field of Classification Search**

USPC D9/682–694, 600–681, 501, 503, 505,
D9/516, 517, 519–575, 435, 436, 439,
D9/441, 443–449, 451, 452, 454;
D28/76, 77, 91.1

CPC A45D 34/00; A45D 34/02; A45D 34/04;
A45D 2034/002; A45D 2034/005; A45D
2034/007; A45D 40/00; A45D 40/0068;
A45D 40/0075; A45D 2040/0012; A45D
2200/00–058; B65D 1/00; B65D 1/0215;
B65D 1/0223; B65D 1/40; B65D
2501/0081; B65D 2203/00; B65D
39/0094; B65D 43/02; B65D 43/0214;
B65D 51/00; B65D 51/245; B65D
2251/06; B65D 2251/065; B65D 83/14;
B65D 83/38; B65D 83/40; B65D 83/752;
B65D 83/753; B05B 11/00; B05B
11/0037; B05B 11/0038; B05B 11/3001;
B05B 11/3043; B05B 11/3045; B05B
11/3046; B05B 11/3047

See application file for complete search history.

(56) **References Cited**

U.S. PATENT DOCUMENTS

D72,962 S * 6/1927 Mas D9/669
D76,976 S * 11/1928 Applebaum D9/546

D81,167 S * 5/1930 Teague D9/566
D81,602 S * 7/1930 Teague D9/546
D85,737 S * 12/1931 De Wagner D9/529
D94,043 S * 12/1934 Noble D9/645
D96,413 S * 7/1935 Petaja D9/645
D97,681 S * 12/1935 Larsen D19/93
D124,598 S * 1/1941 Brodovitch D11/90
D333,612 S * 3/1993 Gobe D9/629
D337,267 S * 7/1993 Paglina D9/441
D362,385 S * 9/1995 Wacker D9/519
D365,751 S * 1/1996 Hsu D28/86
D417,396 S * 12/1999 Gobe D9/451
D420,590 S * 2/2000 Gobe D9/451
D477,066 S * 7/2003 Lonczak D9/522
D477,227 S * 7/2003 Goswell D9/529
D540,173 S * 4/2007 Obuchi D9/452
D546,195 S * 7/2007 Faillant-Dumas D9/545

(Continued)

Primary Examiner — Catherine A Tuttle

(74) *Attorney, Agent, or Firm* — Stephen J. Weyer; Stites
& Harbison PLLC

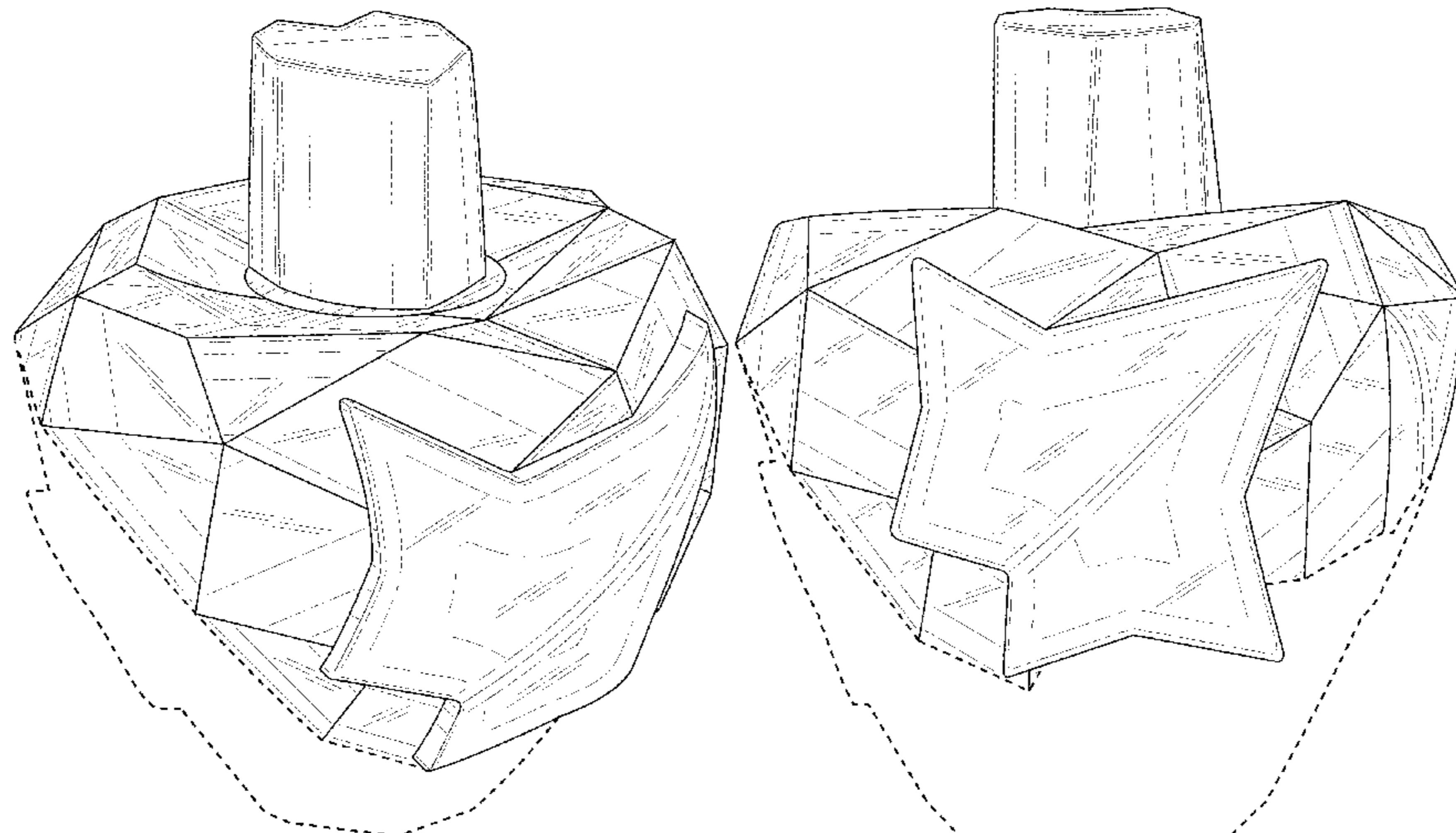
(57) **CLAIM**

The ornamental design for a perfume bottle, as shown and described.

DESCRIPTION

FIG. 1 is a top, left-side, and front perspective view of a perfume bottle showing the new design;
FIG. 2 is a top, right-side, and front perspective view thereof,
FIG. 3 is a front perspective view thereof;
FIG. 4 is a top plan view thereof; and,
FIG. 5 is a bottom plan view thereof.
The broken lines are included for the purpose of illustrating the profile of the perfume bottle portions that form no part of the claimed design, together with select elements within the profile of FIG. 5 that likewise form no part of the claimed design.

1 Claim, 5 Drawing Sheets



(56)

References Cited

U.S. PATENT DOCUMENTS

D561,602 S *	2/2008	Antonuccio	D9/629
D574,256 S *	8/2008	Lablaine	D9/516
D626,422 S *	11/2010	Lloyd	D9/435
D698,259 S *	1/2014	Ngjelo	D9/546
D737,689 S *	9/2015	Monteparo	D9/435
D778,170 S *	2/2017	Kim	D9/529
D796,960 S *	9/2017	Eisen	D9/521
2010/0252477 A1 *	10/2010	Yamamoto	B65D 1/0207 206/524.6
2011/0266248 A1 *	11/2011	Popiel	B65D 1/0223 215/316

* cited by examiner

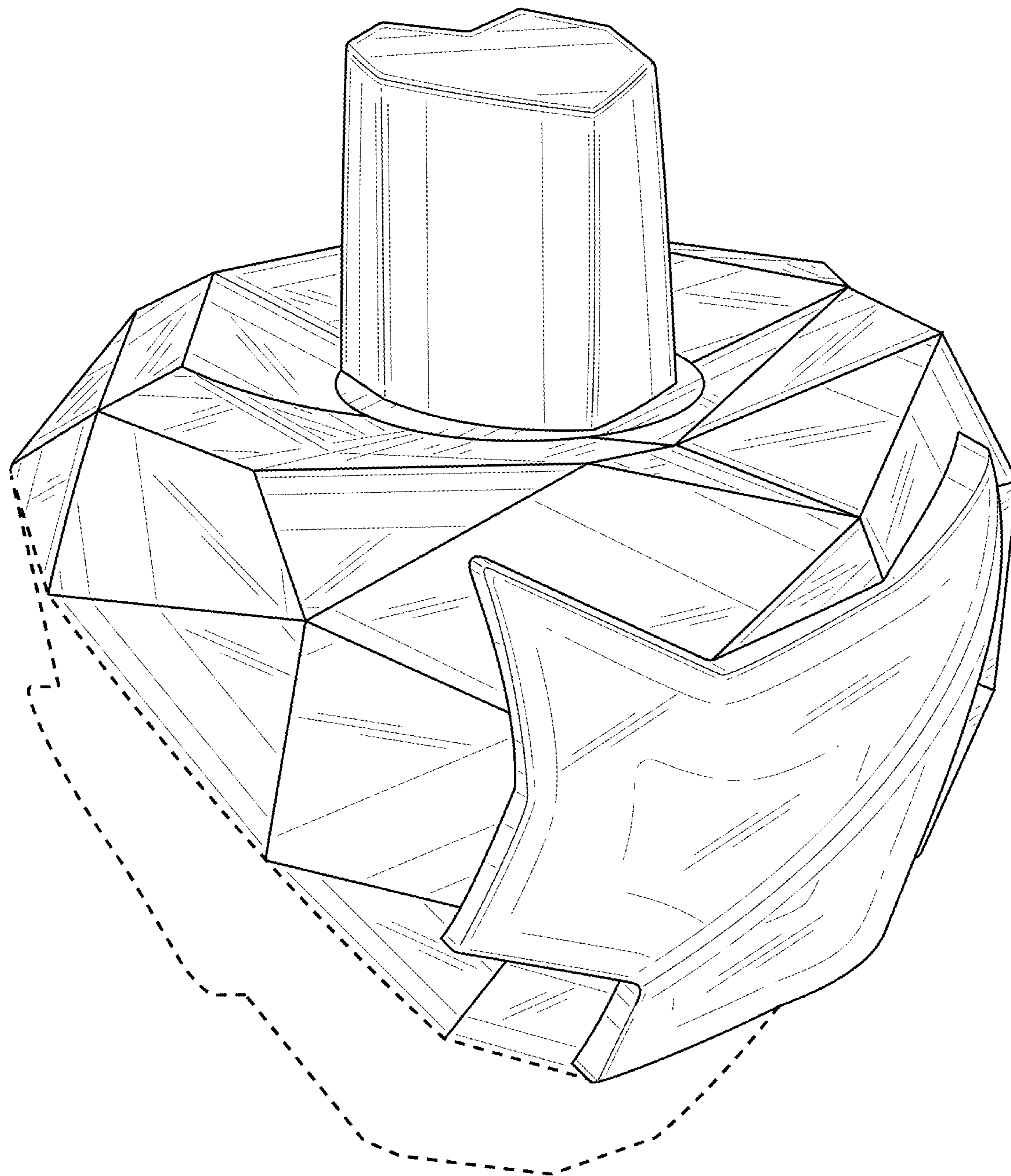


FIG. 1

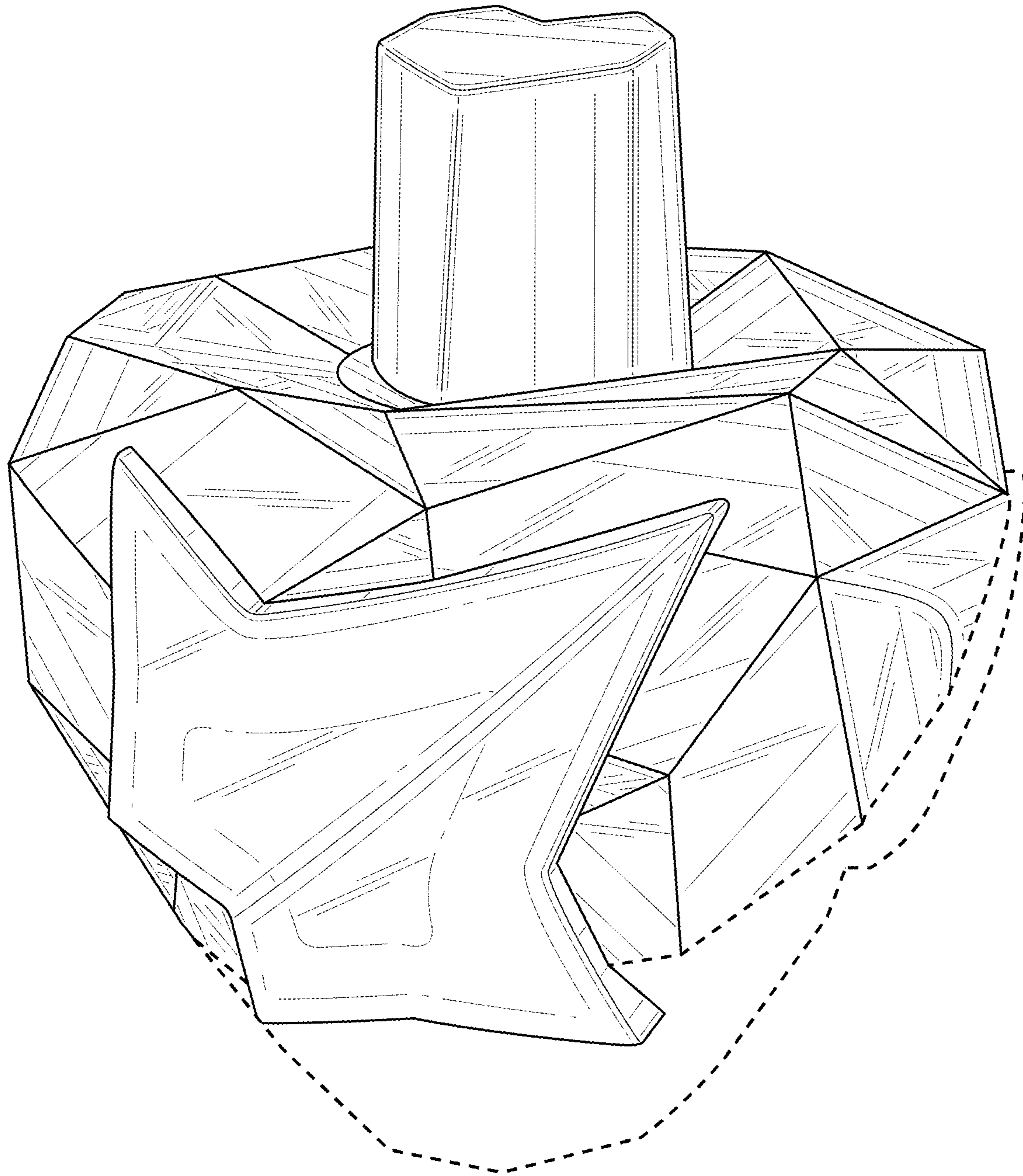


FIG. 2

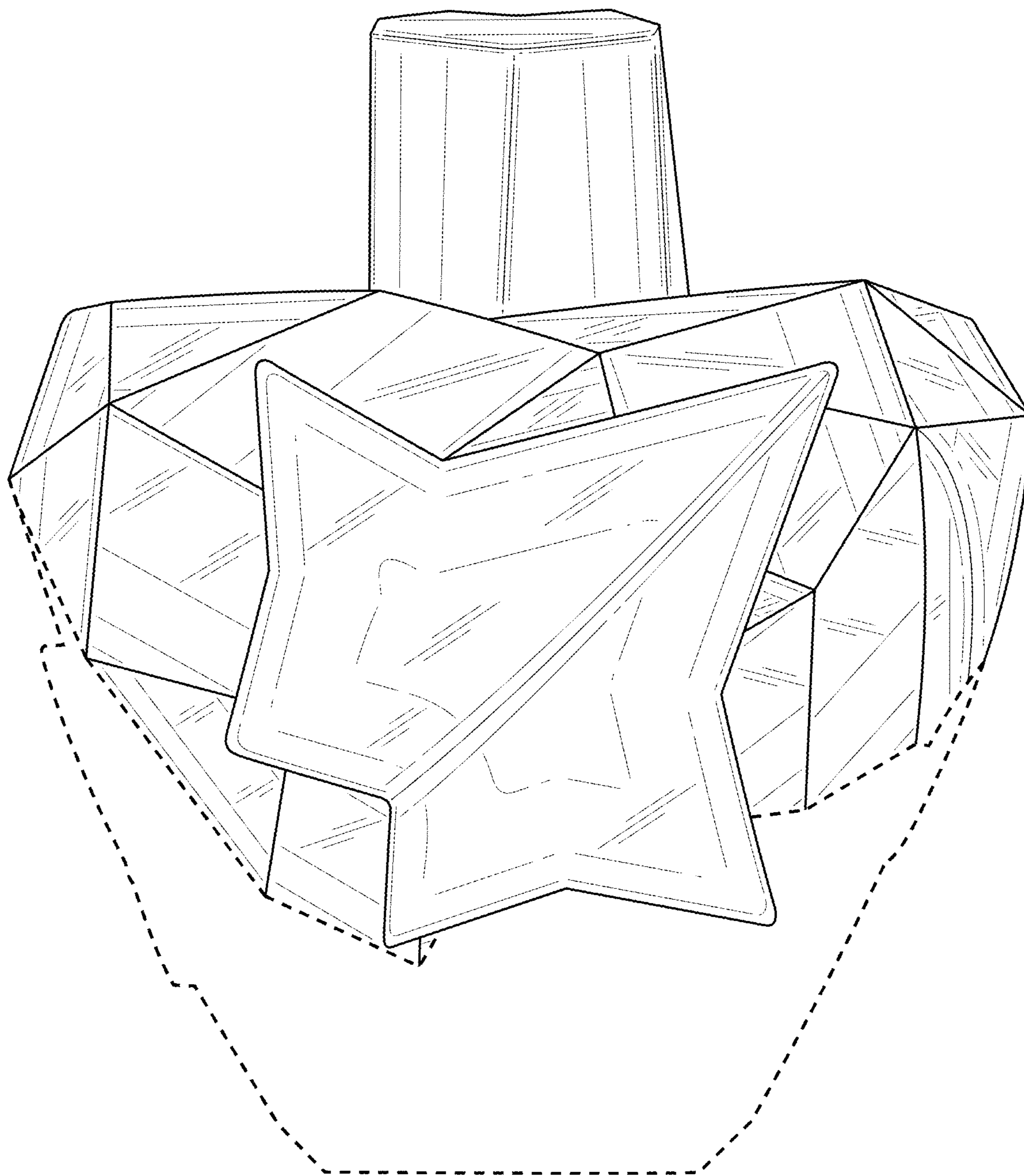


FIG. 3

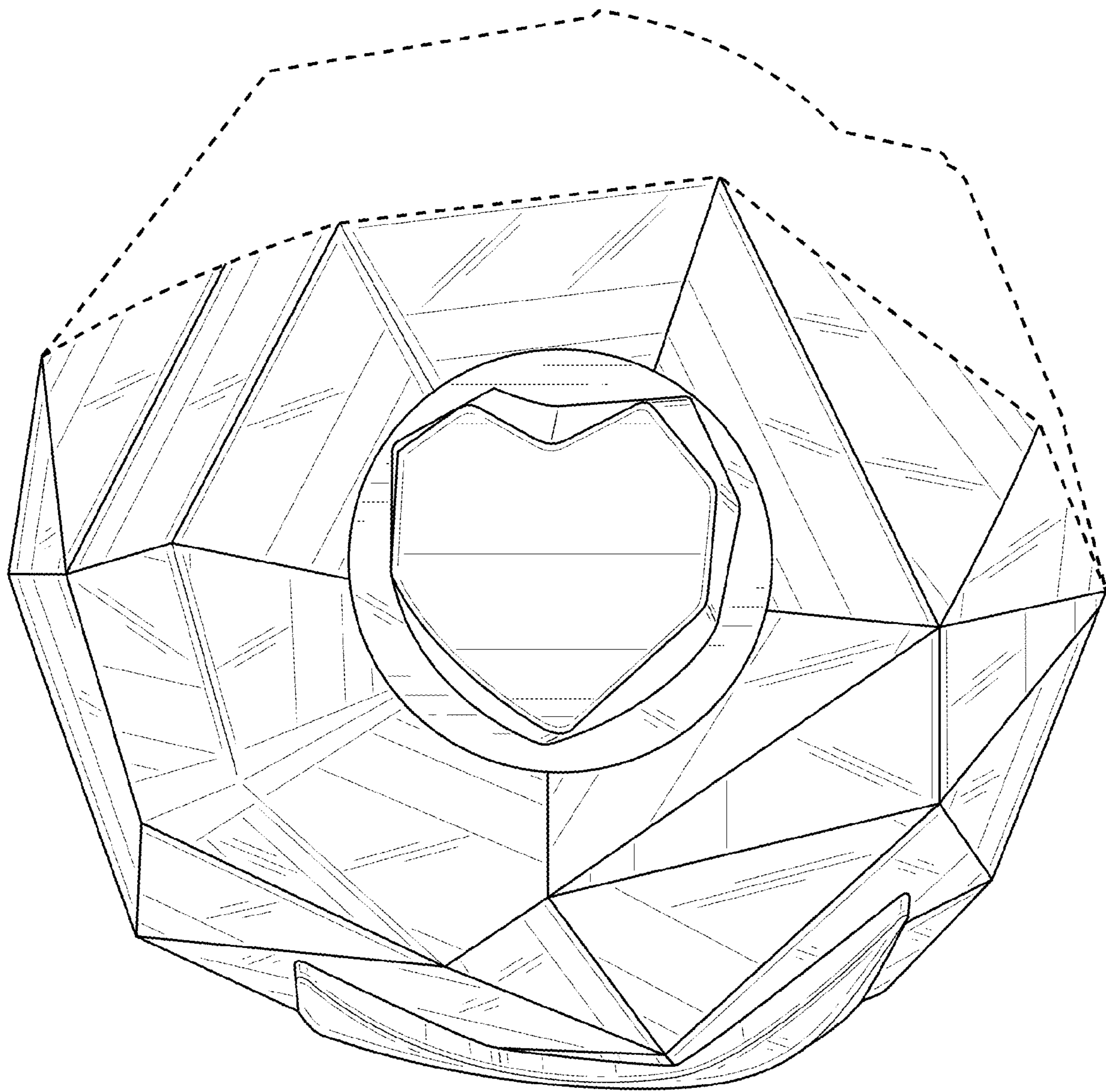


FIG. 4

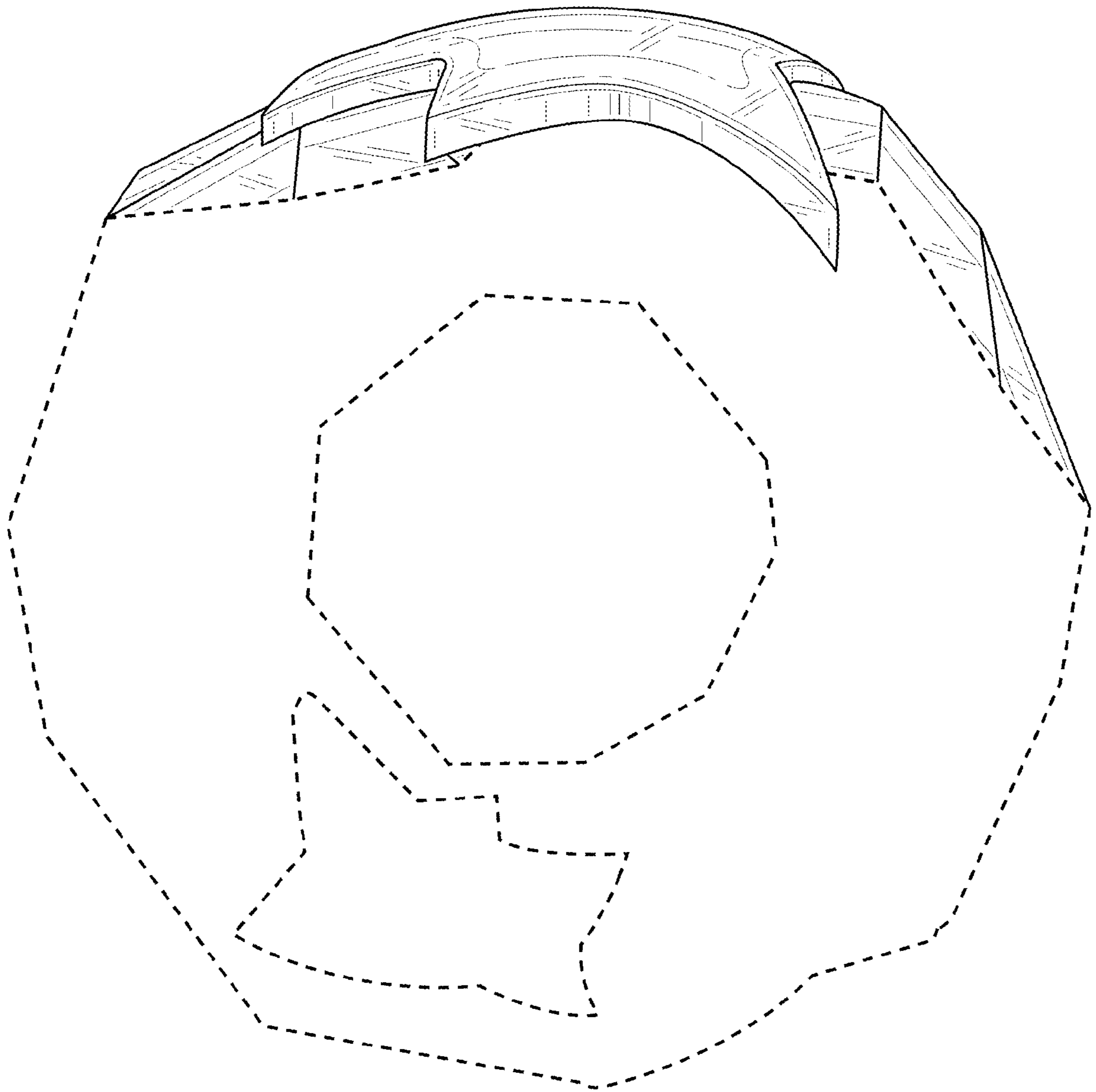


FIG. 5