

US00D939355S

(12) **United States Design Patent**
Li et al.

(10) **Patent No.:** **US D939,355 S**
(45) **Date of Patent:** **** Dec. 28, 2021**

(54) **WATER BOTTLE**

(71) Applicant: **SHENZHEN QIANHAI JUNLIAN NETWORK TECHNOLOGY CO., LTD.**, Shenzhen (CN)

(72) Inventors: **Yan Li**, Shenzhen (CN); **Weijian Yuan**, Yichun (CN)

(73) Assignee: **SHENZHEN QIANHAI JUNLIAN NETWORK TECHNOLOGY CO., LTD.**, Shenzhen (CN)

(**) Term: **15 Years**

(21) Appl. No.: **29/756,143**

(22) Filed: **Oct. 26, 2020**

(51) **LOC (13) Cl.** **09-01**

(52) **U.S. Cl.**
USPC **D9/531**

(58) **Field of Classification Search**

USPC D9/523, 528, 530, 531, 540, 543, 549, D9/550, 563, 572, 575

CPC B65D 1/02; B65D 1/0223; B65D 1/023; B65D 1/0261; B65D 2501/0009; B65D 2501/0081; B65D 2501/009

See application file for complete search history.

(56) **References Cited**

U.S. PATENT DOCUMENTS

D405,004 S 2/1999 Mudra
D419,885 S * 2/2000 Gonzalez D9/531
D433,636 S * 11/2000 Gonzalez D9/531

D471,457 S * 3/2003 Deichler D9/502
D531,512 S * 11/2006 Yu D9/531
D646,045 S * 9/2011 Stamper D99/35
D651,854 S * 1/2012 Cabados D7/511
D719,028 S * 12/2014 Tiet D9/531
D726,018 S * 4/2015 Archer D9/531
D750,434 S * 3/2016 Kirkpatrick D7/510
D816,410 S 5/2018 Yu
D856,085 S * 8/2019 Archer D7/510
D887,212 S 6/2020 Wang et al.
D889,910 S 7/2020 Wang et al.
D892,561 S 8/2020 Wang et al.
D893,262 S 8/2020 Wang et al.

* cited by examiner

Primary Examiner — Janice Patyk

(74) *Attorney, Agent, or Firm* — Law Offices of Steven W. Weinrieb

(57) **CLAIM**

The ornamental design for a water bottle, as shown and described.

DESCRIPTION

FIG. 1 is a top, front, right side perspective view of a water bottle showing our new design;

FIG. 2 is a front elevational view thereof;

FIG. 3 is a rear elevational view thereof;

FIG. 4 is a left side elevational view thereof;

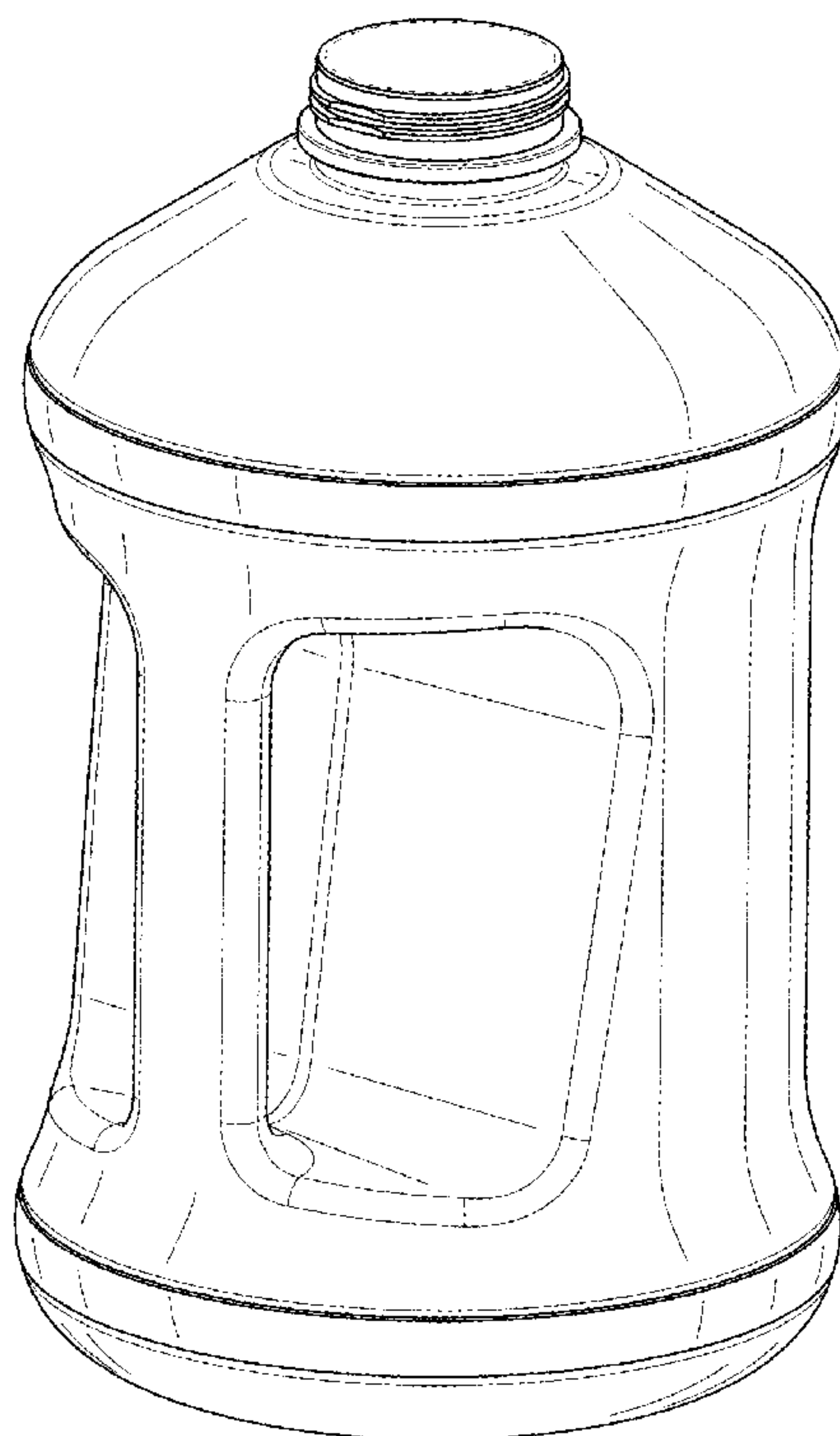
FIG. 5 is a right side elevational view thereof;

FIG. 6 is a top plan view thereof; and,

FIG. 7 is a bottom plan view thereof.

The broken lines in the figures illustrate the portions of the water bottle that form no part of the claimed design.

1 Claim, 7 Drawing Sheets



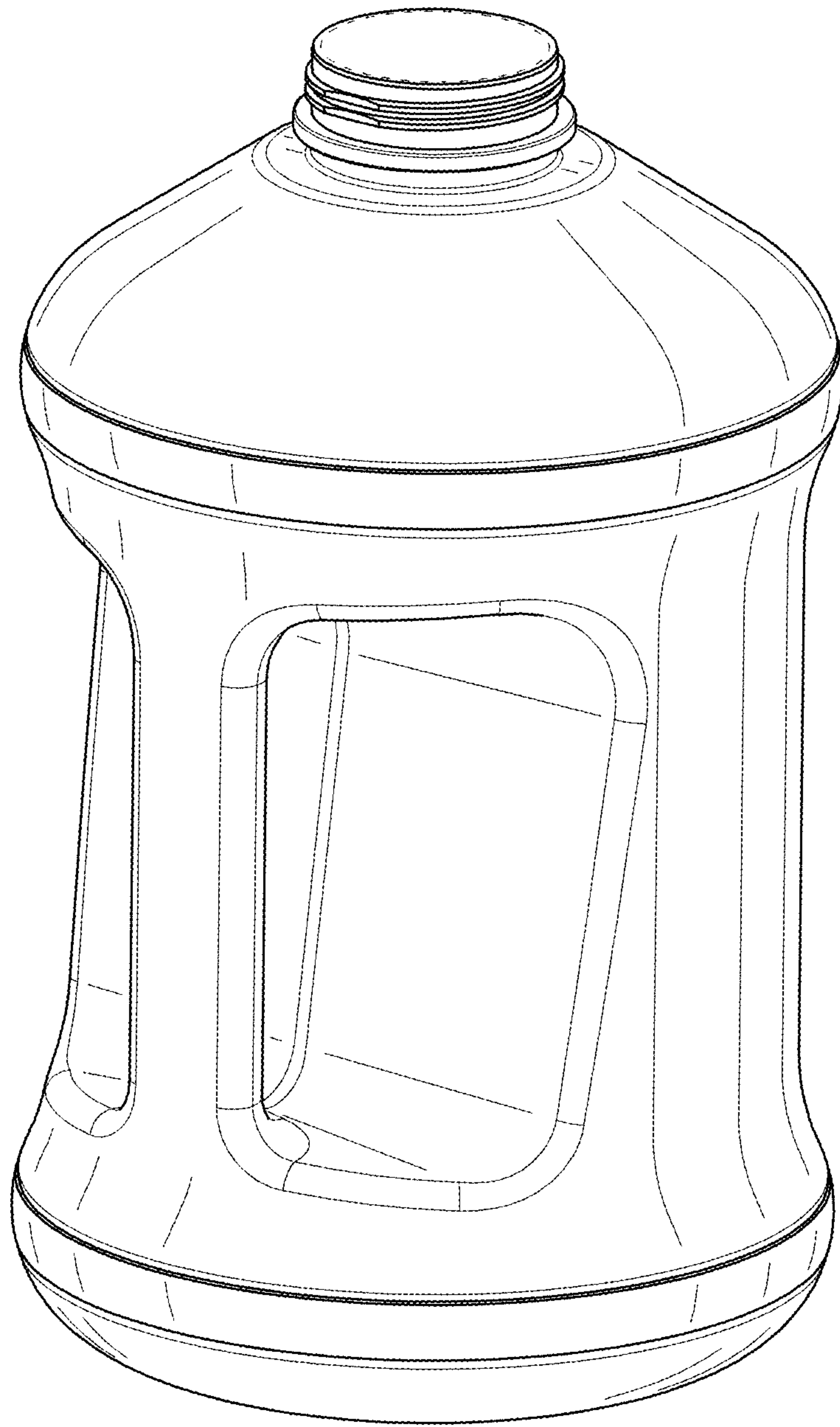


FIG.1

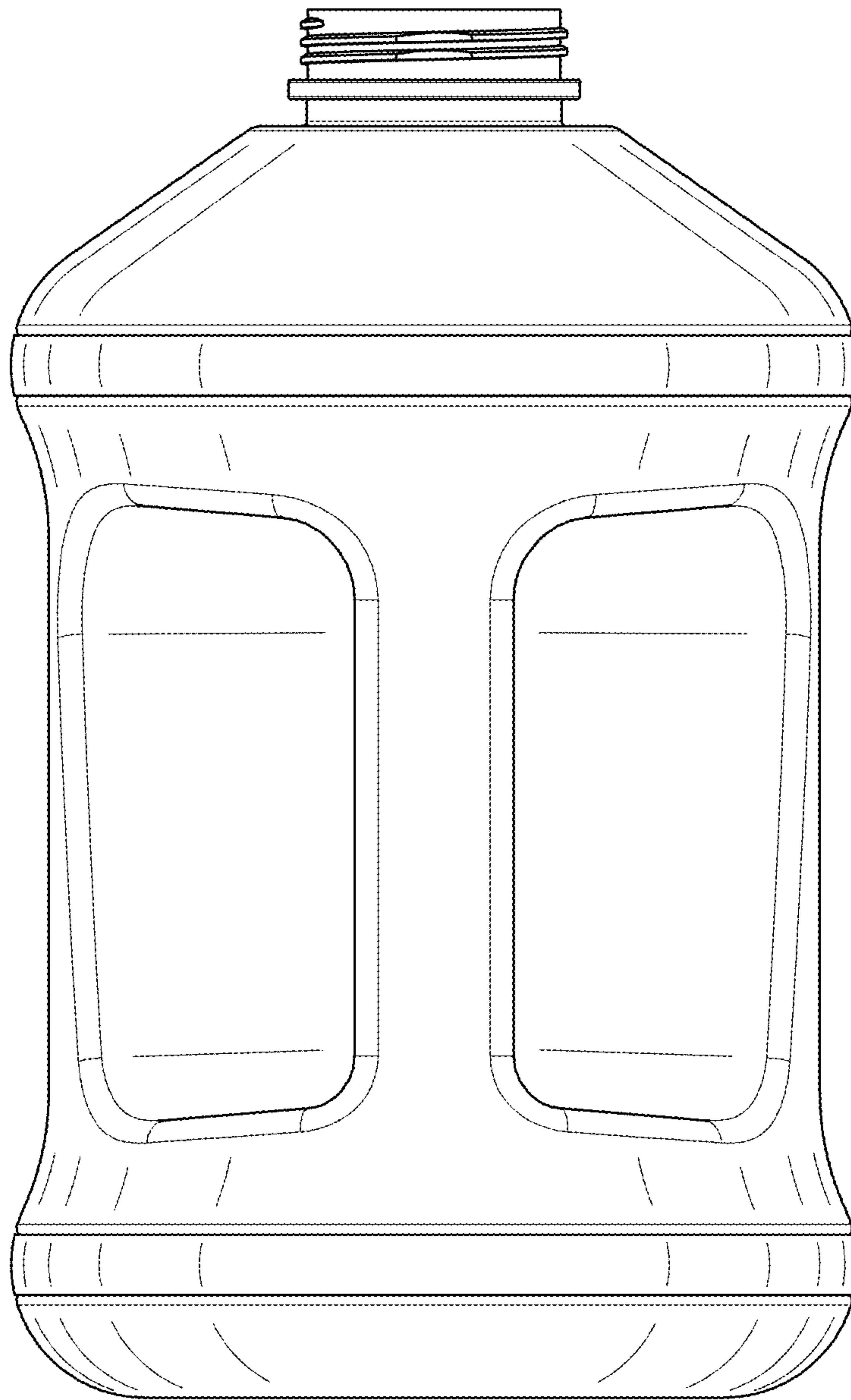


FIG.2

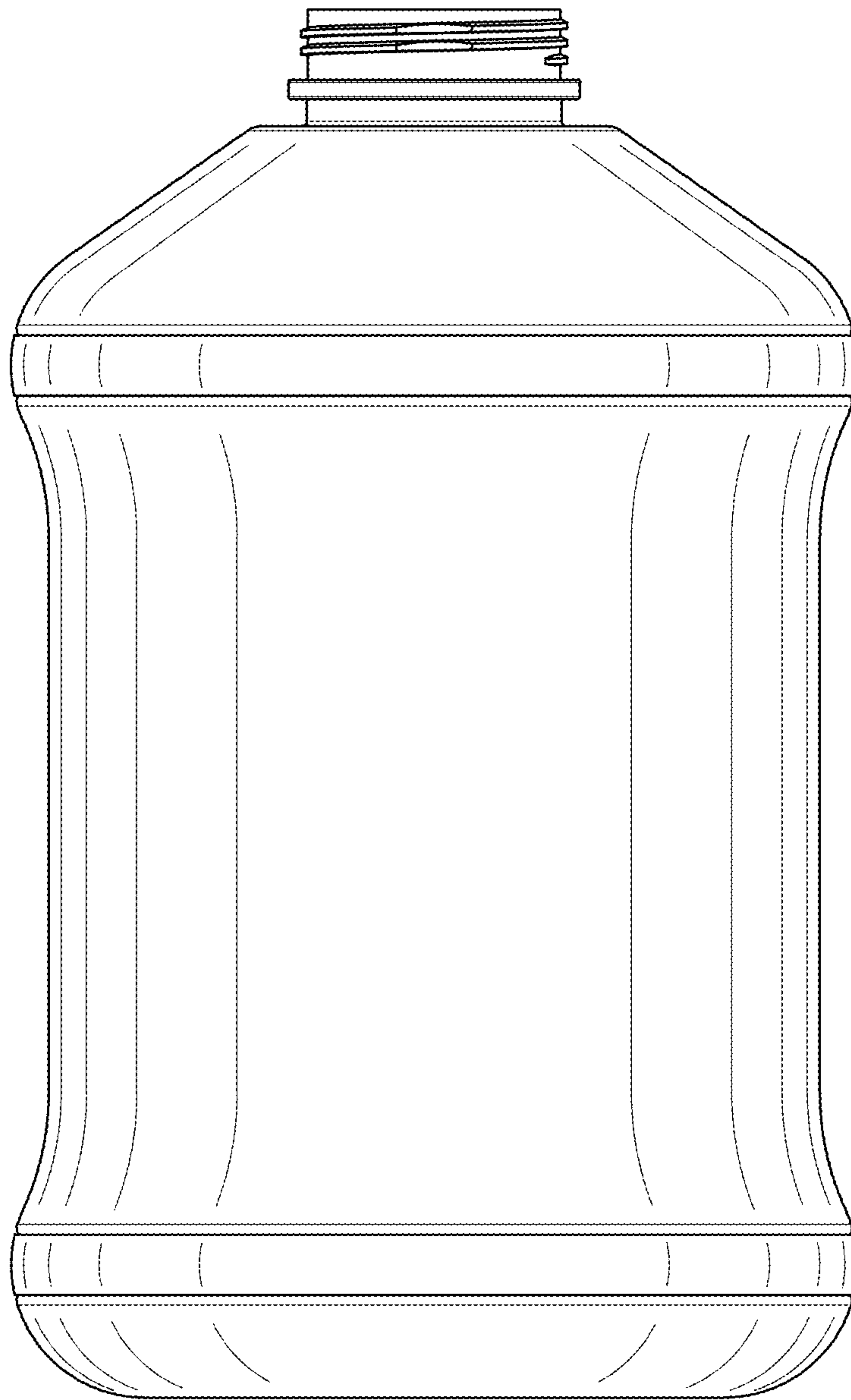


FIG.3

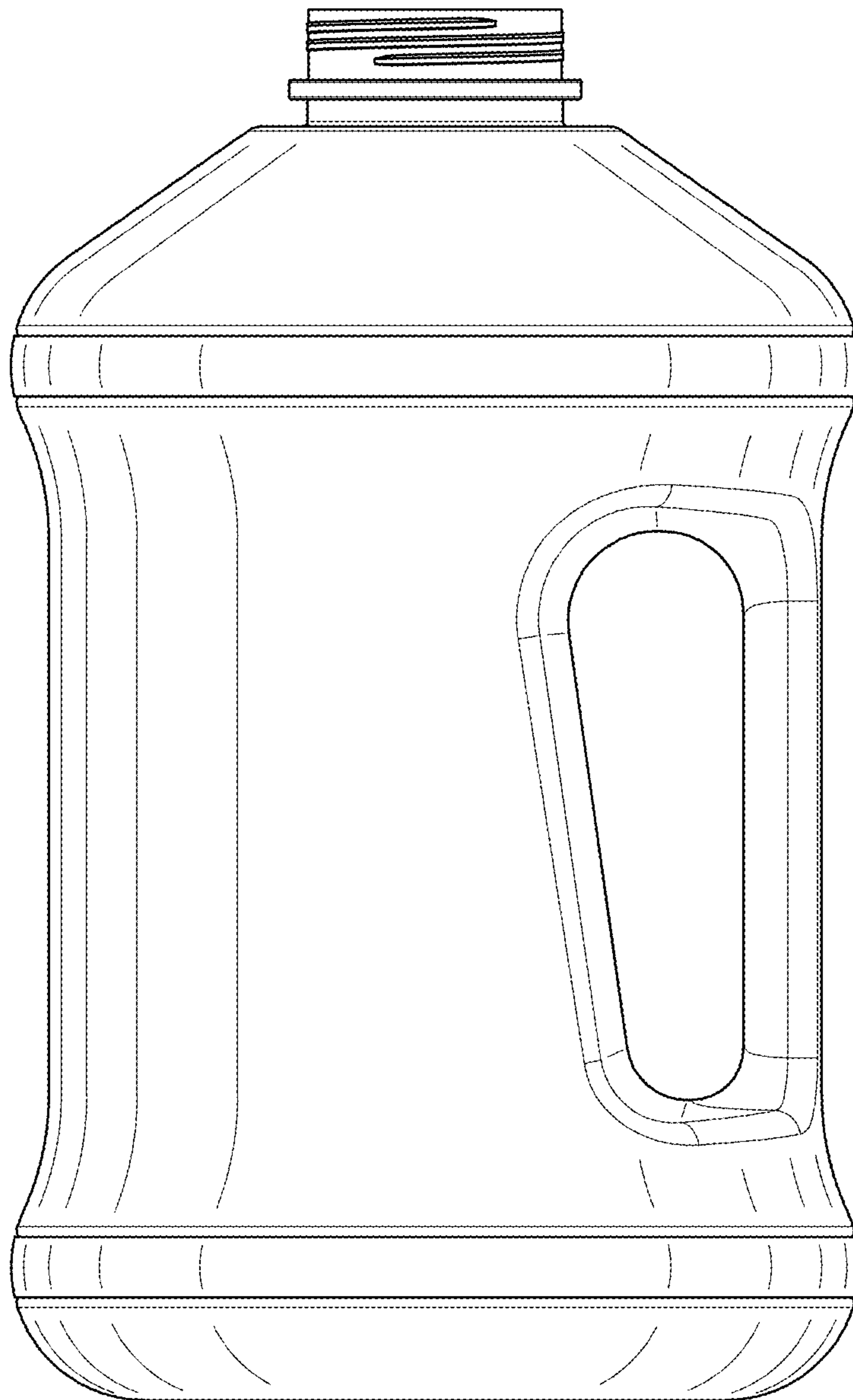


FIG.4

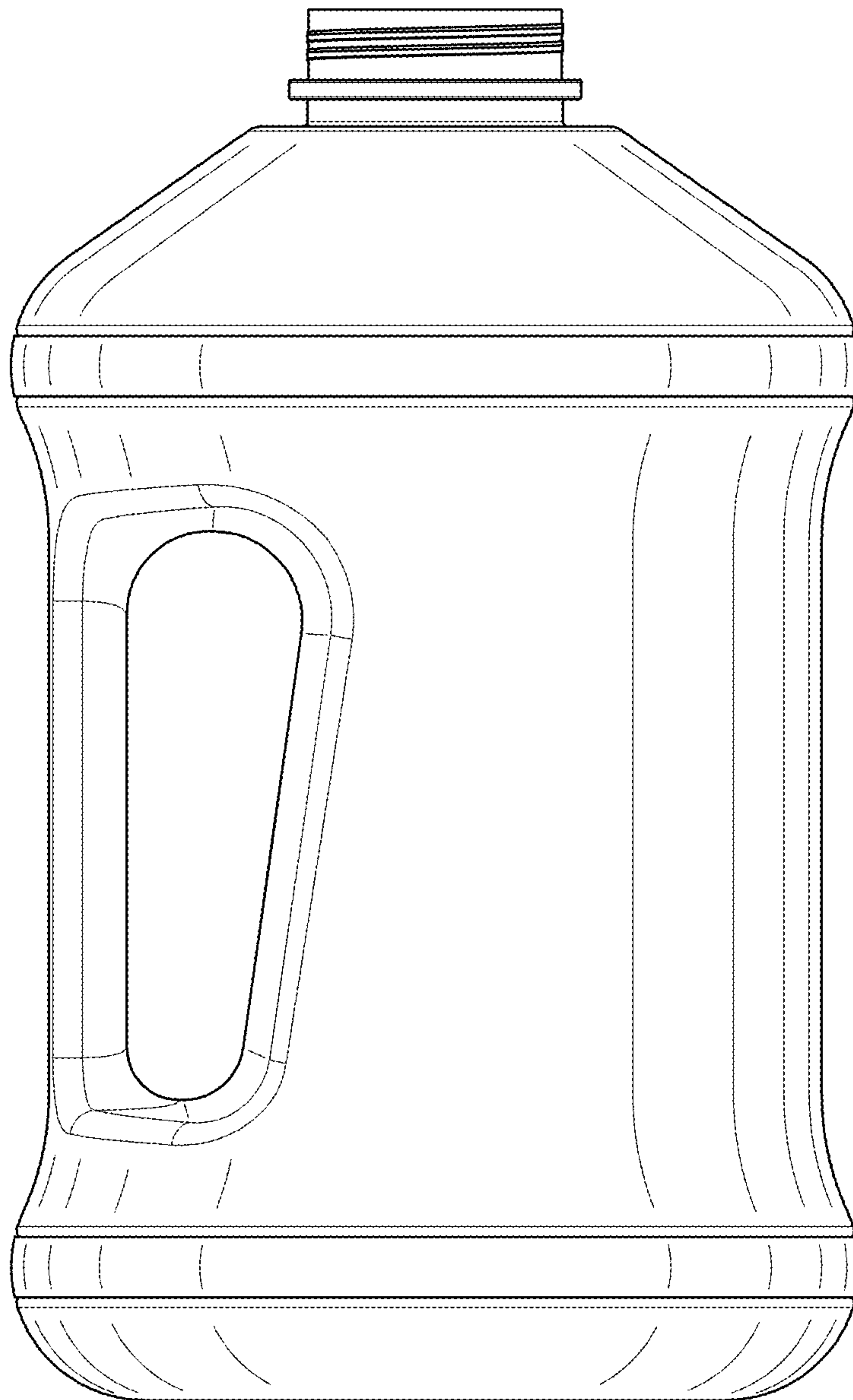


FIG.5

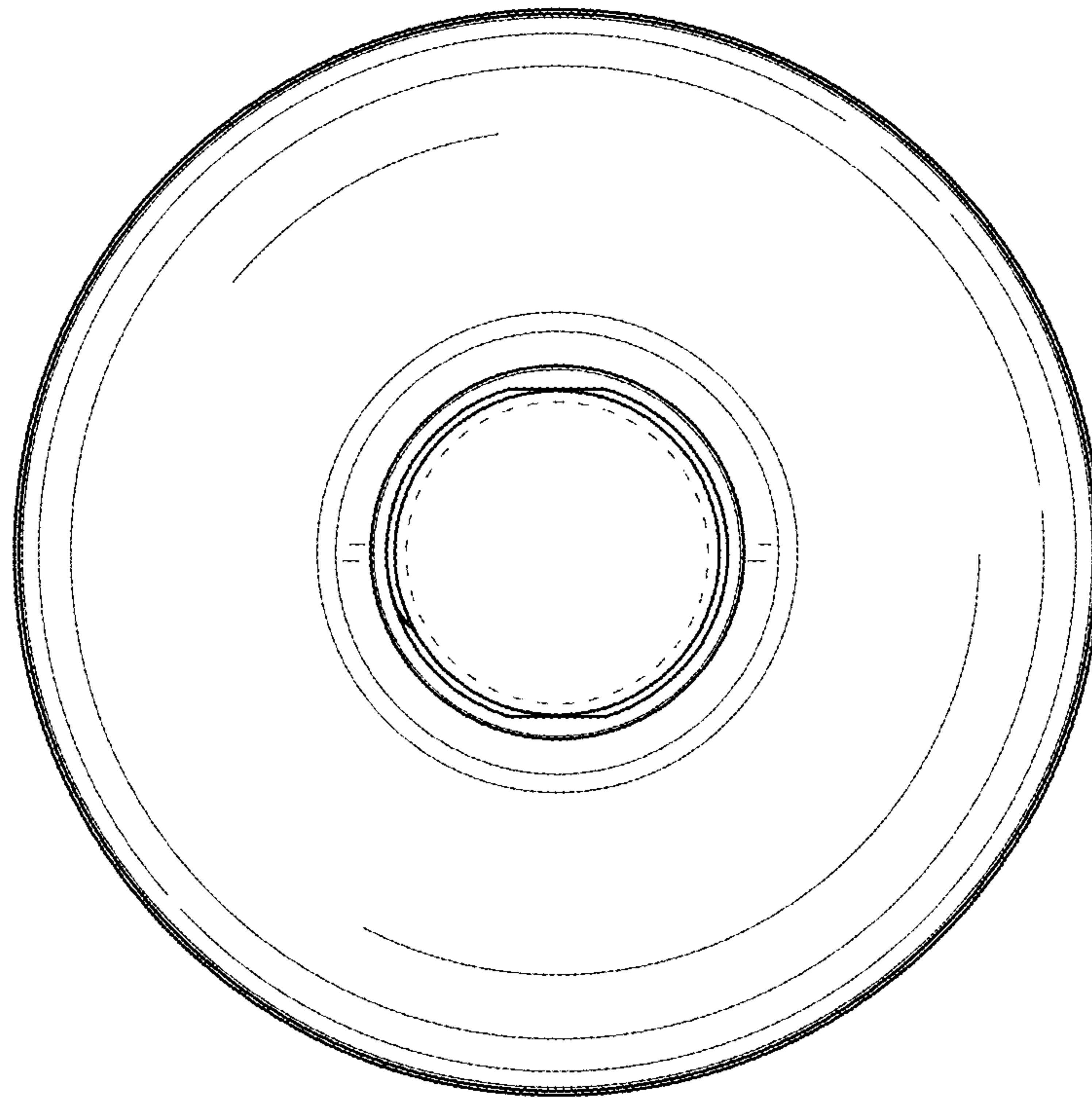


FIG.6

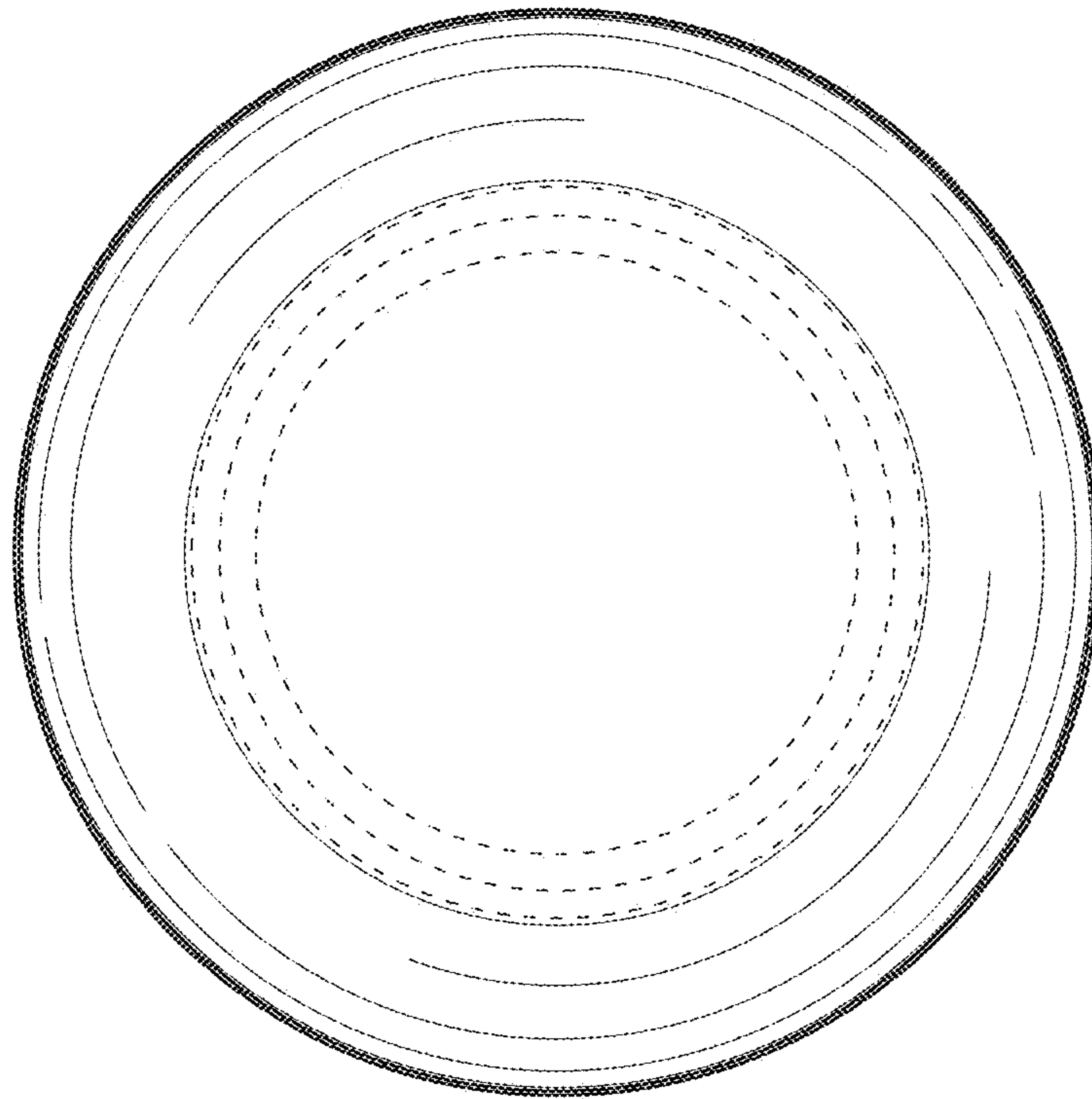


FIG. 7