



US00D939351S

(12) **United States Design Patent** (10) **Patent No.:** **US D939,351 S**  
**Laib et al.** (45) **Date of Patent:** **\*\* Dec. 28, 2021**

(54) **CONTAINER**

(71) Applicant: **Owens-Brockway Glass Container Inc., Perrysburg, OH (US)**

(72) Inventors: **Douglas Laib, Perrysburg, OH (US); Adam Green, Cincinnati, OH (US); Lars Lange, Essen (DE)**

(73) Assignee: **Owens-Brockway Glass Container Inc., Perrysburg, OH (US)**

(\*\*) Term: **15 Years**

(21) Appl. No.: **29/774,146**

(22) Filed: **Mar. 15, 2021**

(51) **LOC (13) Cl.** ..... **09-01**

(52) **U.S. Cl.**  
USPC ..... **D9/500**

(58) **Field of Classification Search**  
USPC ..... D9/434, 500, 503-505, 516, 520, 530, D9/537, 540, 549, 558, 715, 719  
CPC ..... B65D 1/00; B65D 1/02; B65D 1/0215; B65D 1/0223; B65D 2501/00; B65D 2501/0009  
See application file for complete search history.

(56) **References Cited**

**U.S. PATENT DOCUMENTS**

D112,219 S	*	11/1938	Samuelson	.....	D9/502
D116,861 S	*	9/1939	Mas	.....	D9/500
D292,374 S	*	10/1987	Jacobs	.....	D9/500
D484,415 S	*	12/2003	Hadtke	.....	D9/500
D515,424 S		2/2006	Lora		
D521,869 S		5/2006	Lora		
D669,355 S		10/2012	Gonzalez Rodriguez		

D720,626 S	*	1/2015	Kawaja	.....	D9/658
D732,968 S	*	6/2015	Heisner	.....	D9/538
D778,675 S	*	2/2017	Shi	.....	D7/507
D790,624 S	*	6/2017	Matsushita	.....	D18/56
D796,957 S		9/2017	Joshi et al.		
D850,267 S	*	6/2019	Paredes	.....	D9/516
D850,915 S		6/2019	Pietrasanta		
D874,937 S		2/2020	Schlies et al.		
D893,305 S		8/2020	Cartis et al.		
D893,306 S		8/2020	Cartis et al.		
D893,307 S		8/2020	Cartis et al.		

\* cited by examiner

*Primary Examiner* — Dana Meyrow

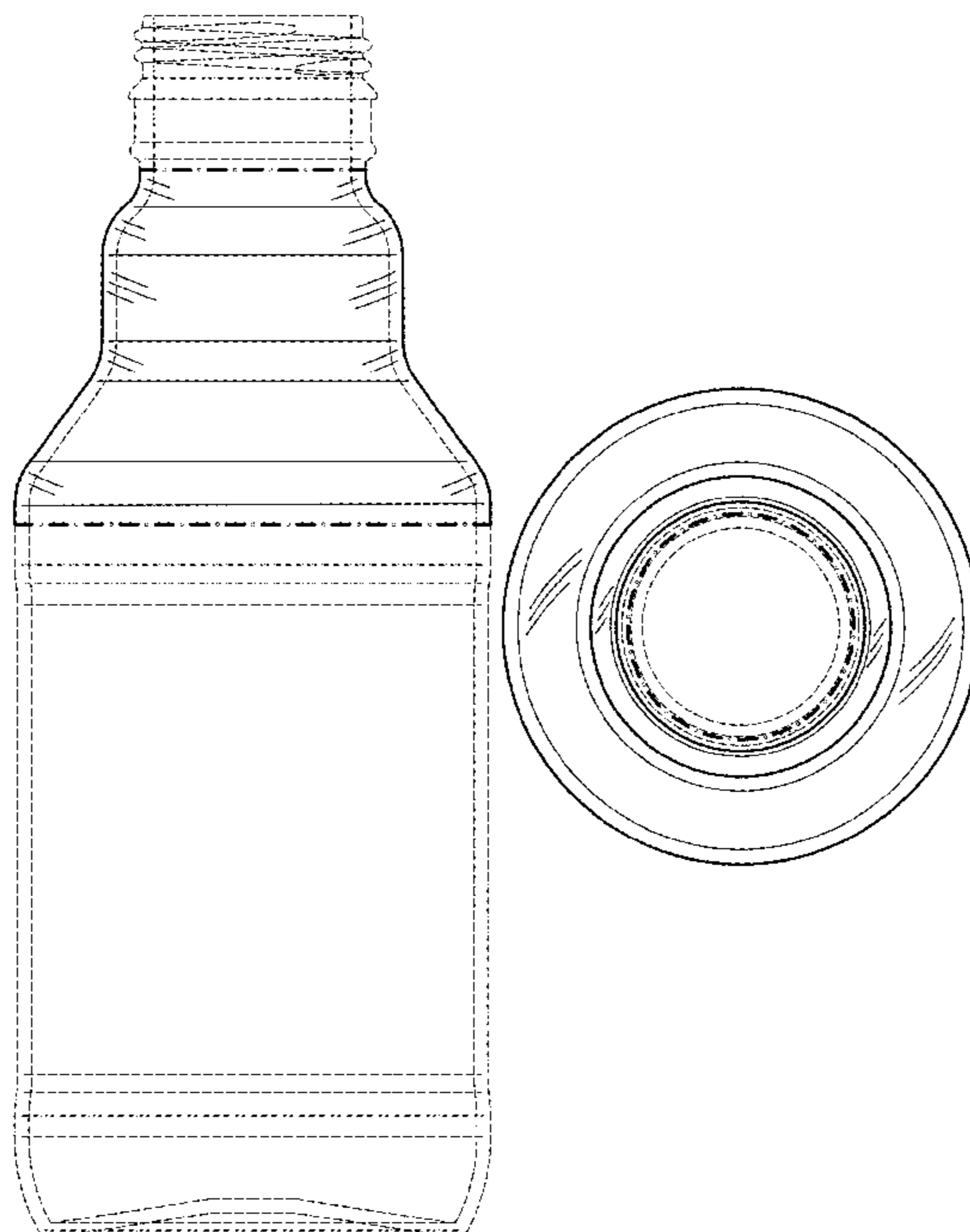
(57) **CLAIM**

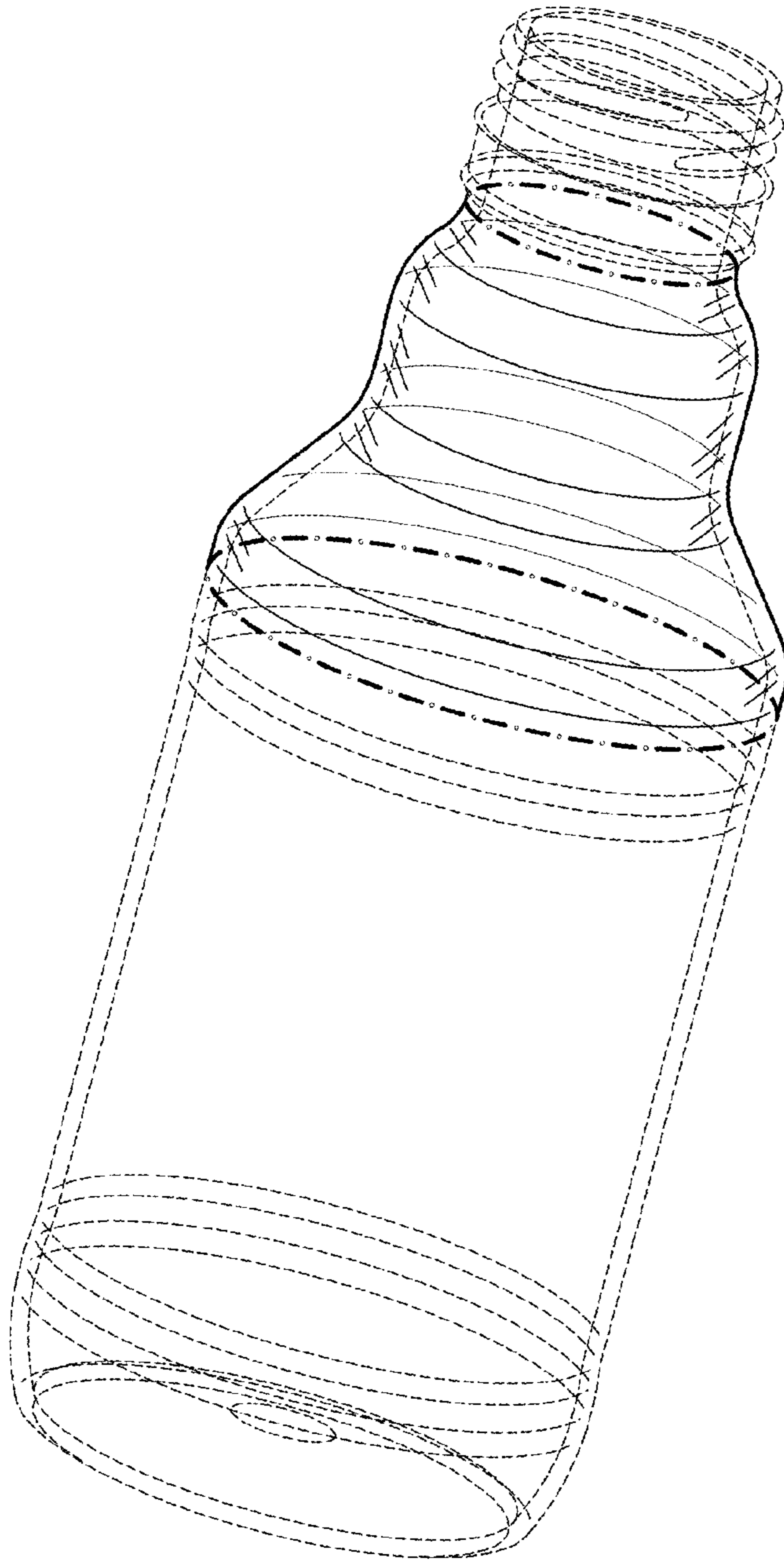
We claim an ornamental design for a container, as shown and described.

**DESCRIPTION**

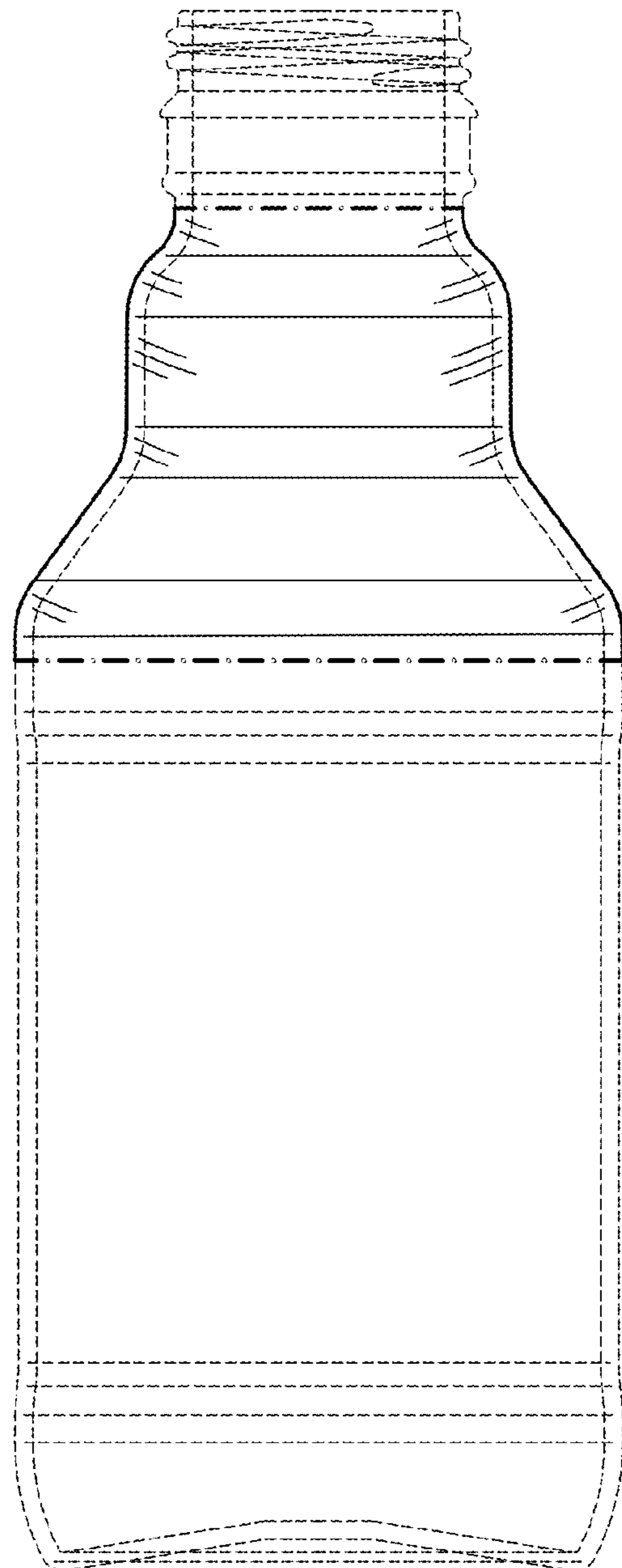
FIG. 1 is an upper perspective view of a container in accordance with our new claimed design.  
FIG. 2 is an elevational front view of the container in FIG. 1.  
FIG. 3 is an elevational right view of the container in FIG. 1.  
FIG. 4 is an elevational rear view of the container in FIG. 1.  
FIG. 5 is an elevational left view of the container in FIG. 1.  
FIG. 6 is a top view of the container in FIG. 1; and, FIG. 7 is a bottom view of the container in FIG. 1.  
Dash-dash broken lines shown in the drawings illustrate portions of the container that form no part of the claimed design.  
Dash-dot broken lines shown in the drawings represent boundaries of the claimed design and form no part of the claimed design.

**1 Claim, 3 Drawing Sheets**

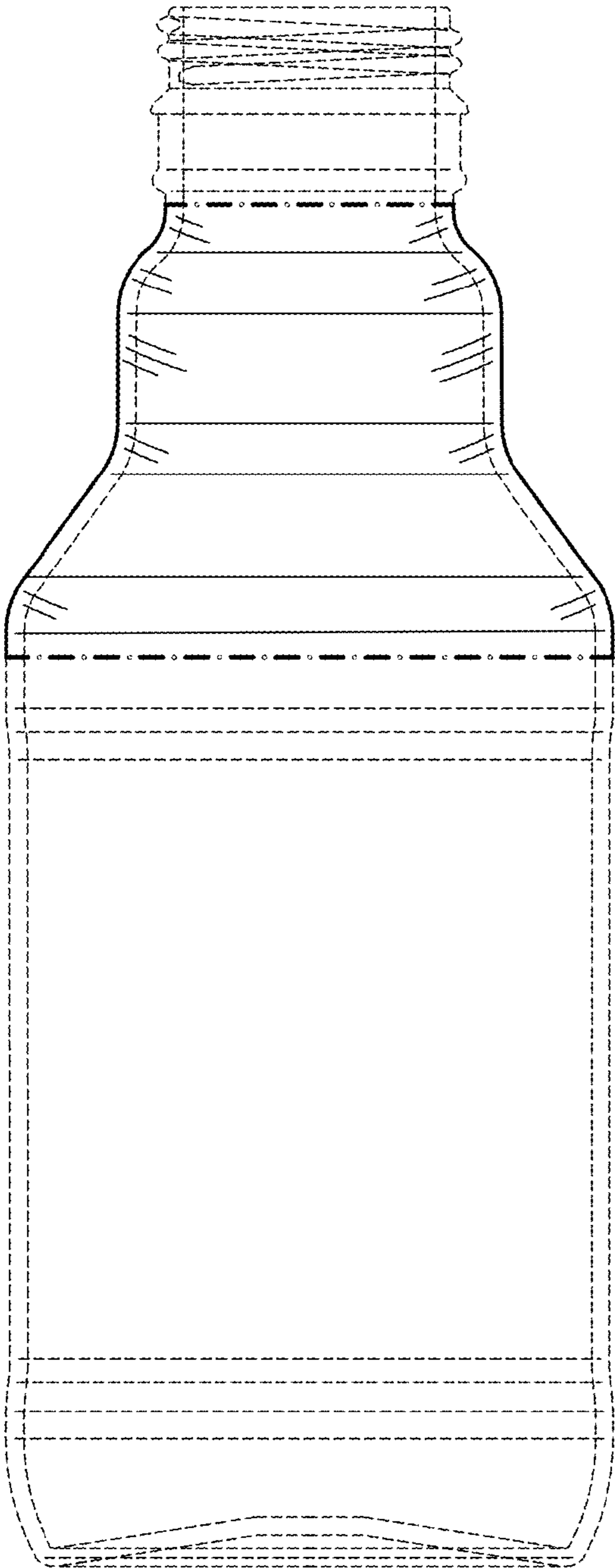




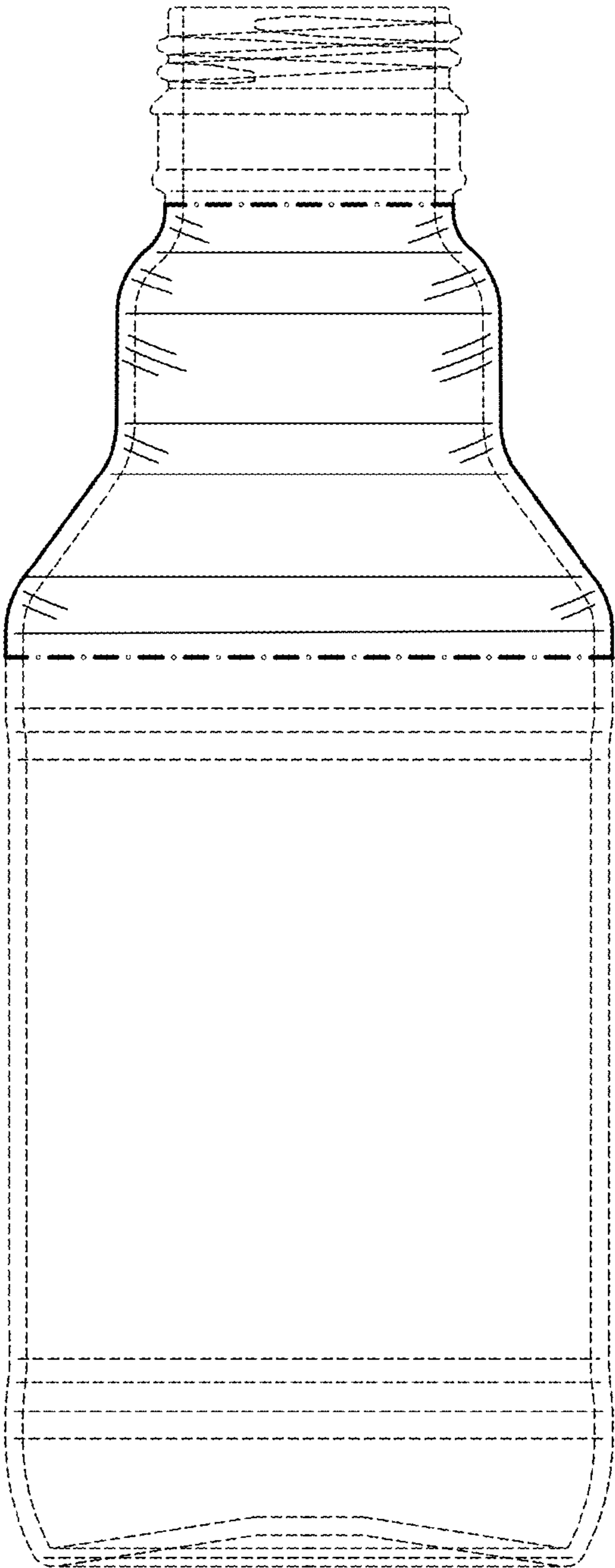
**FIG. 1**



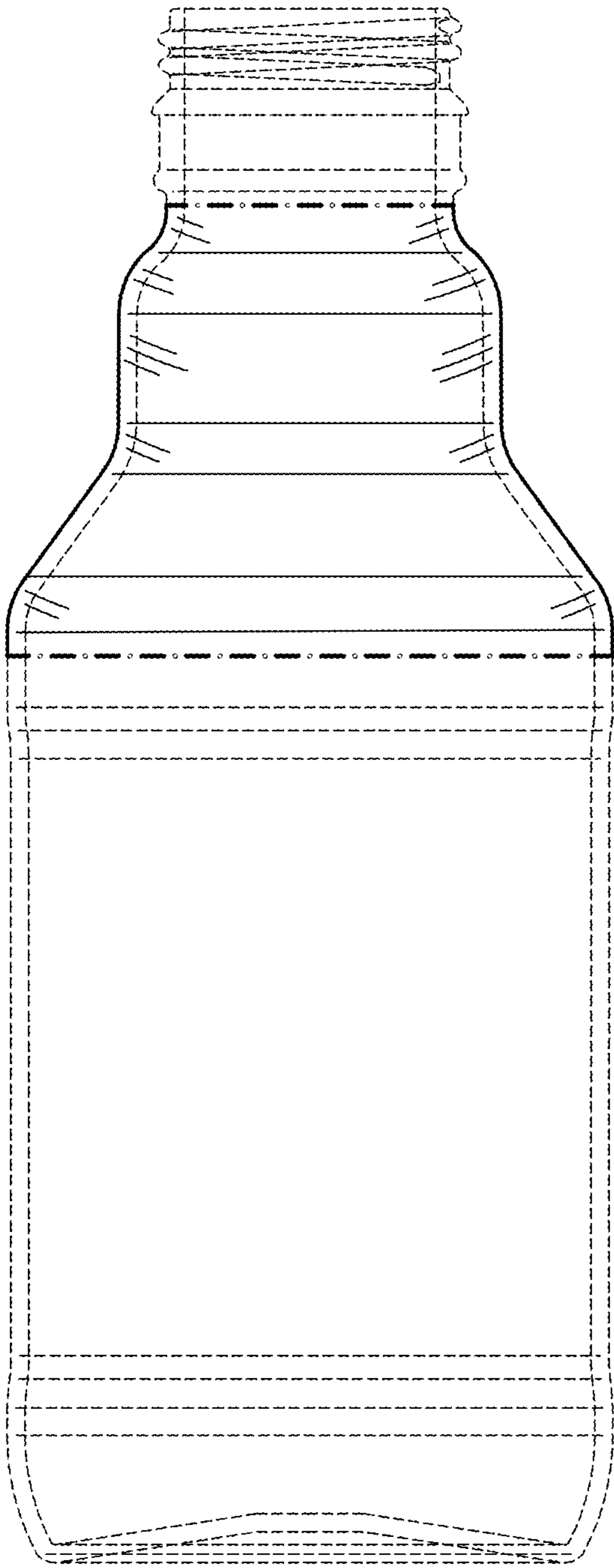
**FIG. 2**



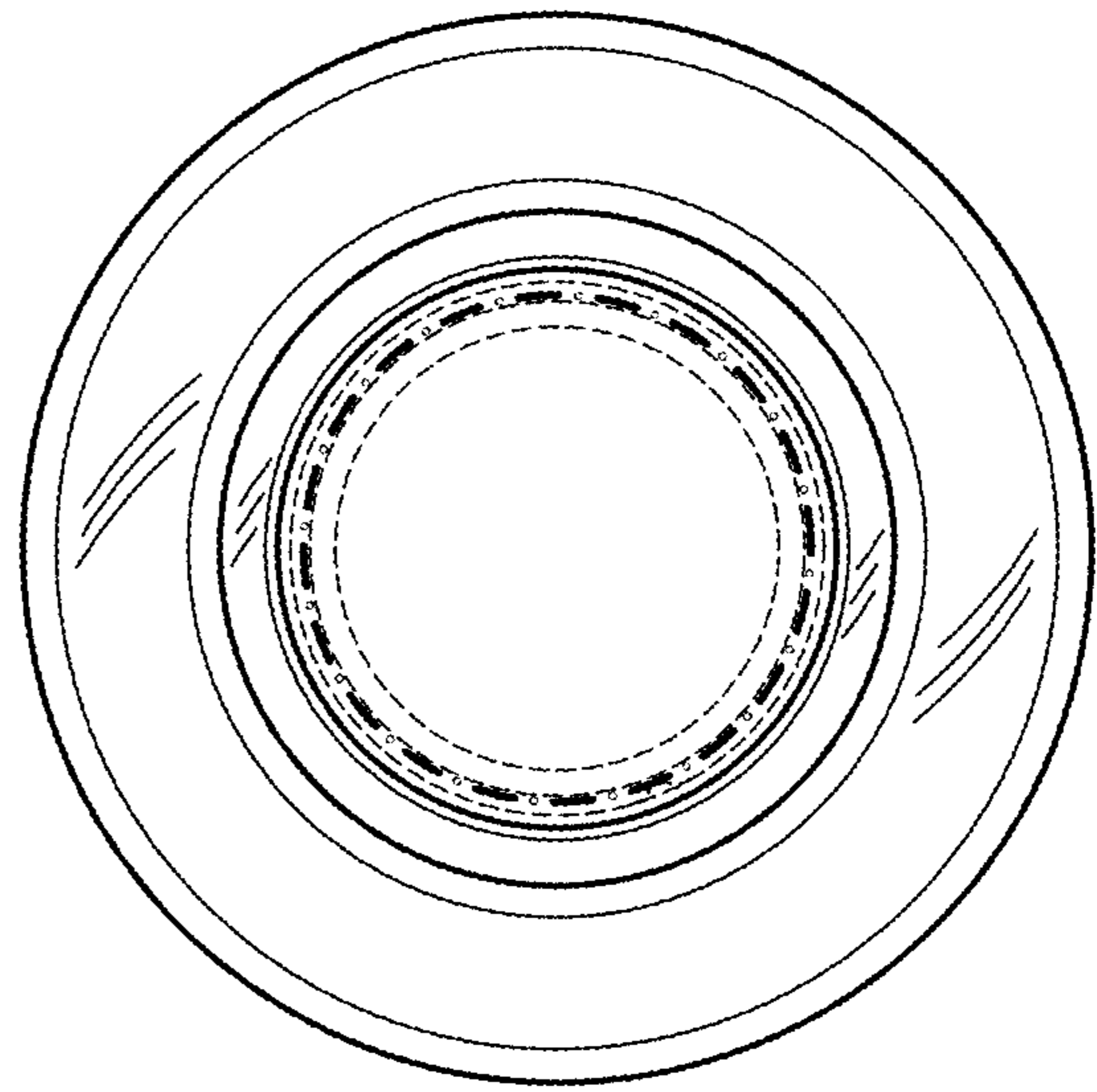
**FIG. 3**



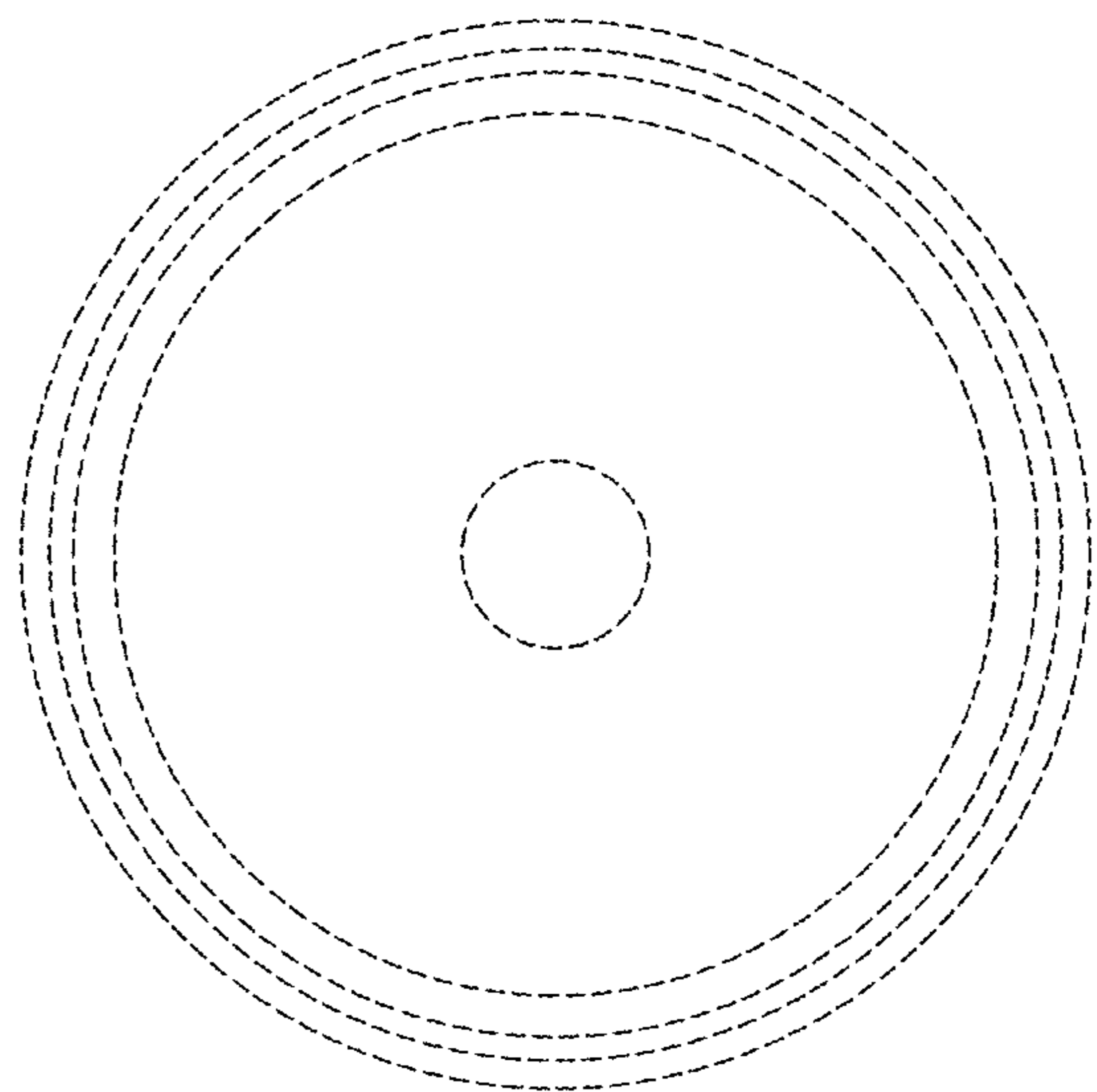
**FIG. 4**



**FIG. 5**



**FIG. 6**



**FIG. 7**