



US00D939347S

(12) **United States Design Patent**
Neputy

(10) **Patent No.:** **US D939,347 S**

(45) **Date of Patent:** **** Dec. 28, 2021**

- (54) **MULTI-SIDED CLOSURE**
- (71) Applicant: **Silgan White Cap LLC**, Downers Grove, IL (US)
- (72) Inventor: **Darren Neputy**, Palos Hills, IL (US)
- (73) Assignee: **Silgan White Cap LLC**, Downers Grove, IL (US)
- (**) Term: **15 Years**
- (21) Appl. No.: **29/642,955**
- (22) Filed: **Apr. 3, 2018**
- (51) **LOC (13) Cl.** **09-07**
- (52) **U.S. Cl.**
USPC **D9/452**
- (58) **Field of Classification Search**
USPC D9/434, 435, 439, 440, 442-450, D9/452-457, 499, 503-505, 682, 685, D9/686; D7/387, 391, 392, 392.1, 396.1, D7/396.2, 507, 509-511, 538, 900; D3/202, 203.2, 294, 318; D28/91, 91.1
CPC .. A61J 1/00; A61J 1/1412; B65D 1/00; B65D 1/02; B65D 1/10; B65D 1/46; B65D 5/46; B65D 41/00; B65D 41/38; B65D 41/56; B65D 41/62; B65D 47/00; B65D 47/06; B65D 47/08; B65D 2251/00; B65D 2543/00046; B65D 2543/00092; B65D 2543/00296
See application file for complete search history.

- D117,721 S * 11/1939 Ray D9/445
- D147,027 S 7/1947 Stevens
- D153,912 S 5/1949 Baron
- D183,424 S 8/1958 Goldberg
- D198,953 S 8/1964 Quintal
- D202,827 S 11/1965 Elkner
- D220,031 S * 3/1971 Donovan D9/429
- D244,356 S * 5/1977 Pardo D9/453
- 5,853,097 A * 12/1998 Ekkert B65D 41/3447
215/295
- D405,012 S 2/1999 Krautkramer
- D405,695 S 2/1999 Zelmo
- D408,284 S 4/1999 Ekkert et al.
- 5,950,849 A * 9/1999 Ekkert B65D 41/3447
215/252
- D437,226 S * 2/2001 Sadeghi D9/452
- D442,089 S * 5/2001 Sadeghi D9/452
- D482,967 S 12/2003 Bourque et al.

(Continued)

Primary Examiner — Wendy L Arminio

(74) *Attorney, Agent, or Firm* — Reinhart Boerner Van Deuren s.c.

(57) **CLAIM**

I claim the ornamental design for a multi-sided closure, as shown and described.

DESCRIPTION

FIG. 1 is a front perspective view of a multi-sided closure; FIG. 2 is a bottom perspective view thereof; FIG. 3 is a front view thereof, the right, back, and left views being the same as the front view; FIG. 4 is a top view thereof; FIG. 5 is a bottom view thereof; and, FIG. 6 is a cross-sectional view taken in the direction of line 6-6 shown in FIG. 4.

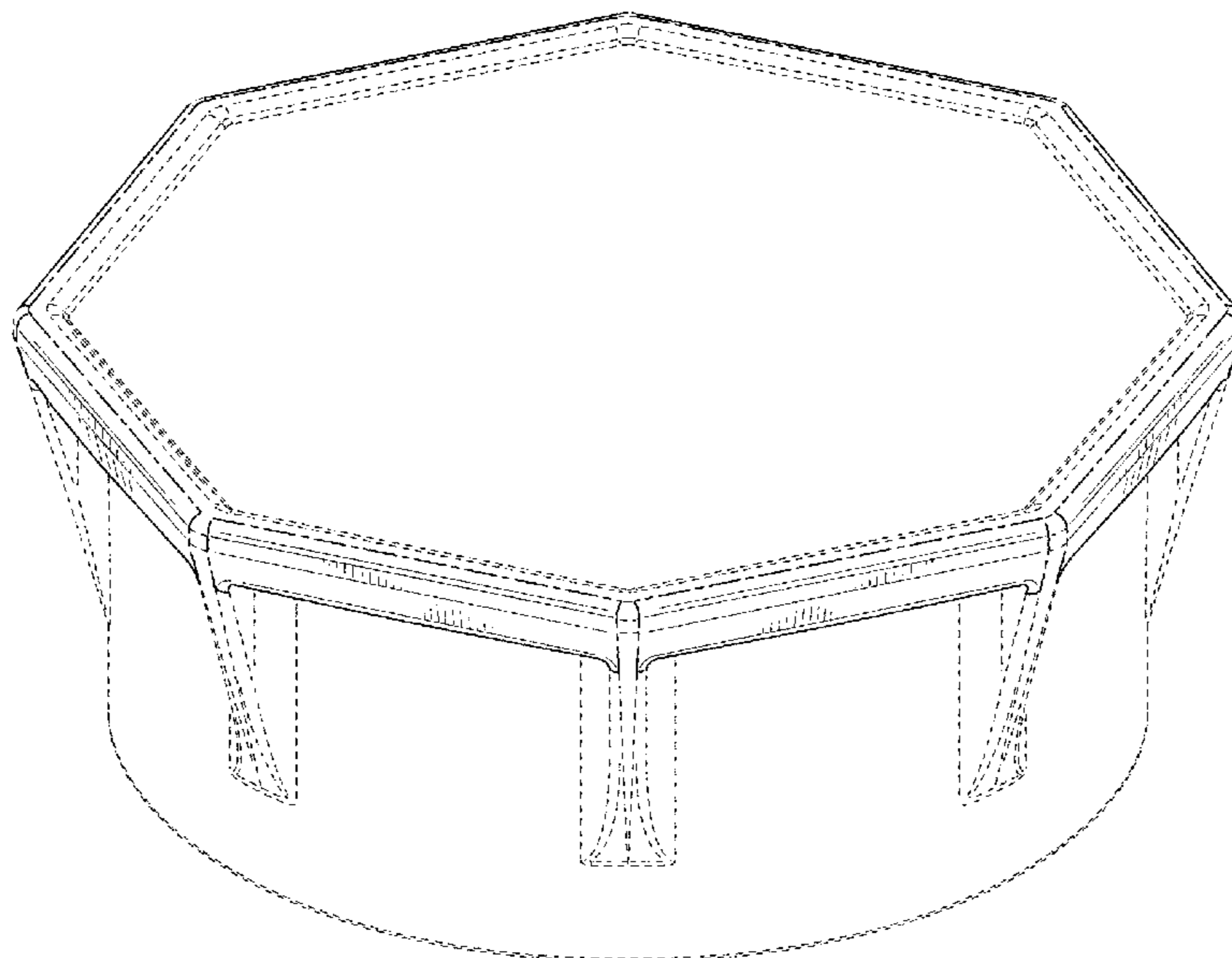
The dash-dot-dash broken lines illustrate the boundaries of the claim and form no part thereof. The dash-dash broken lines depict portions of the multi-sided closure that form no part of the claimed design.

1 Claim, 6 Drawing Sheets

(56) **References Cited**

U.S. PATENT DOCUMENTS

- D18,342 S 5/1888 Meyer et al.
- D58,417 S 7/1921 Hothersall
- D58,571 S 8/1921 Hyatt
- D78,805 S 6/1929 Burke
- D89,809 S * 5/1933 Von Till D9/453



(56)

References Cited

U.S. PATENT DOCUMENTS

6,783,014	B2 *	8/2004	Luker	B65D 41/0414 215/303
D520,361	S	5/2006	Crawford et al.	
D530,205	S *	10/2006	Lohrman	D9/453
D530,612	S *	10/2006	Lohrman	D9/453
D568,450	S	5/2008	King, Jr. et al.	
D577,593	S *	9/2008	Hestehave	D9/452
7,802,690	B2 *	9/2010	Lohrman	B65D 41/325 215/305
D631,349	S *	1/2011	Arnell	D9/452
D639,161	S	6/2011	Webster	
D673,045	S *	12/2012	Clark	D9/452
D673,046	S *	12/2012	Clark	D9/452
D679,185	S *	4/2013	Brown	D9/452
D679,186	S	4/2013	Brown et al.	
D679,597	S	4/2013	Tamarindo	
D690,201	S	9/2013	Klebeck	
D693,222	S	11/2013	Ramsey et al.	
D708,950	S *	7/2014	Zeid	D9/453
D714,146	S	9/2014	King	
D721,963	S	2/2015	Finkbohner et al.	
D755,633	S *	5/2016	Baughman	D9/452
D757,545	S	5/2016	King	
D760,589	S *	7/2016	Smith	D9/452
D799,962	S *	10/2017	Steel	D9/453
D813,671	S *	3/2018	Arthur, IV	D9/452
D846,987	S *	4/2019	Neputy	D9/453
D885,905	S *	6/2020	Neputy	D9/453
D888,554	S *	6/2020	Neputy	D9/452
D892,616	S *	8/2020	Neputy	D9/452

* cited by examiner

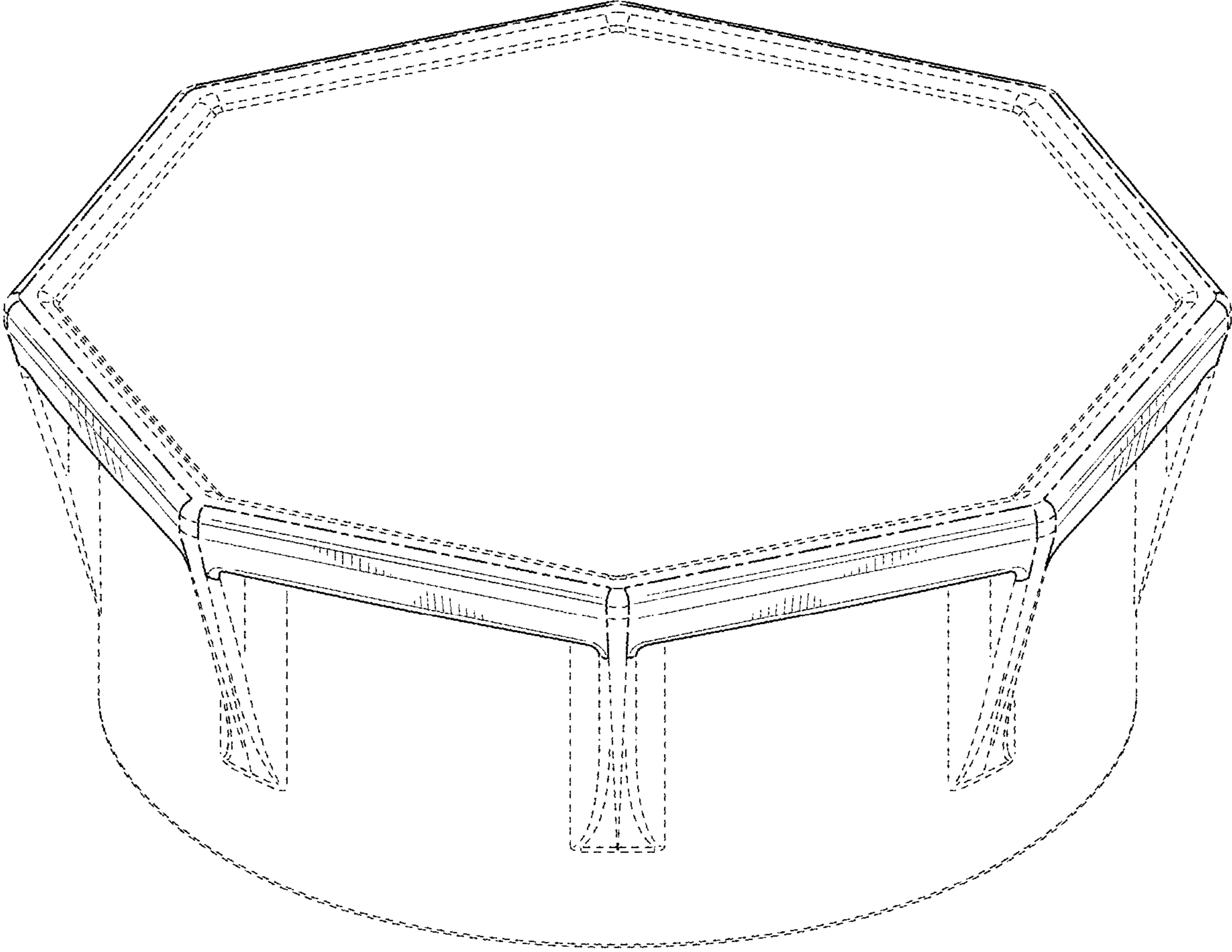


FIG. 1

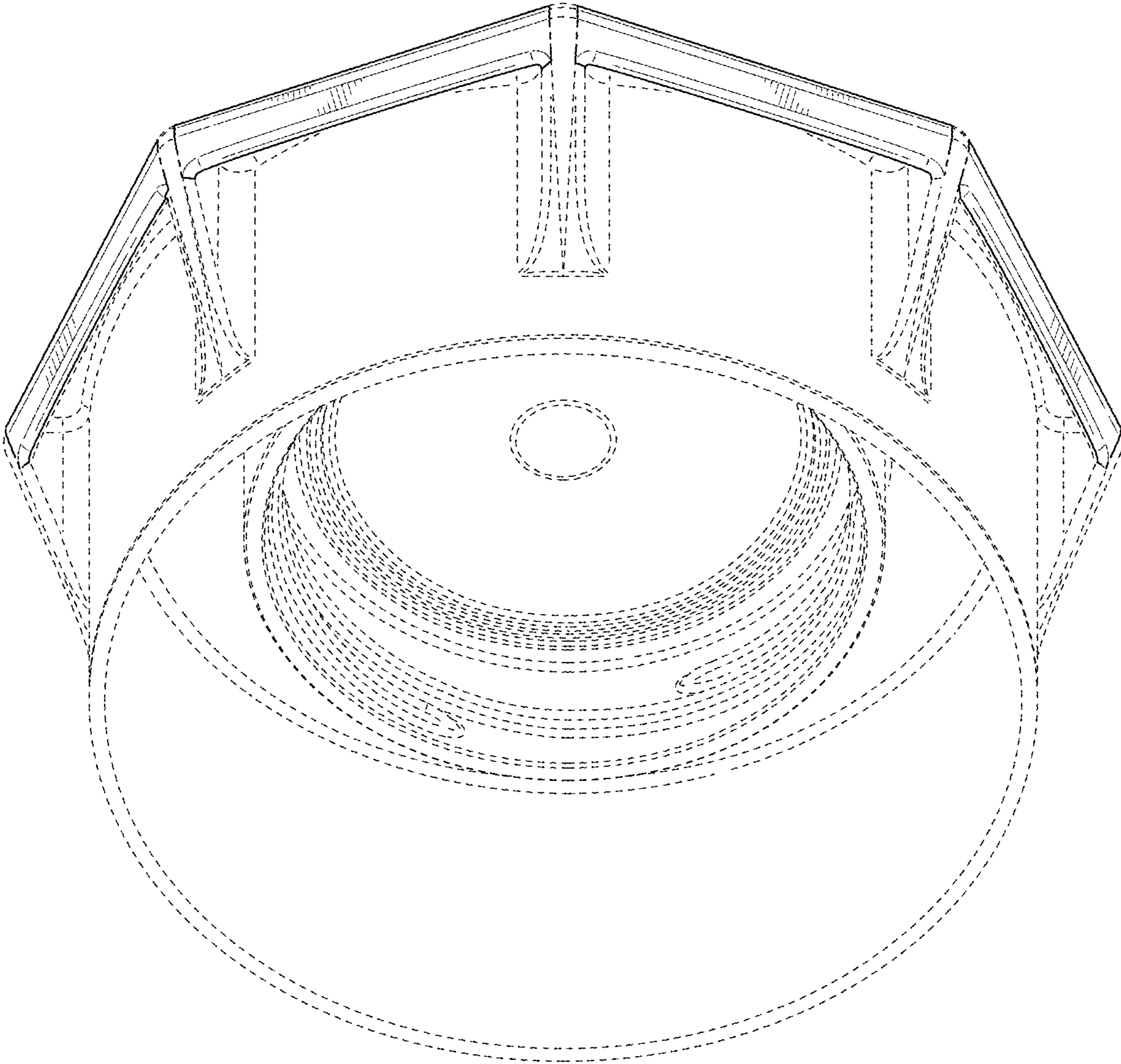


FIG. 2

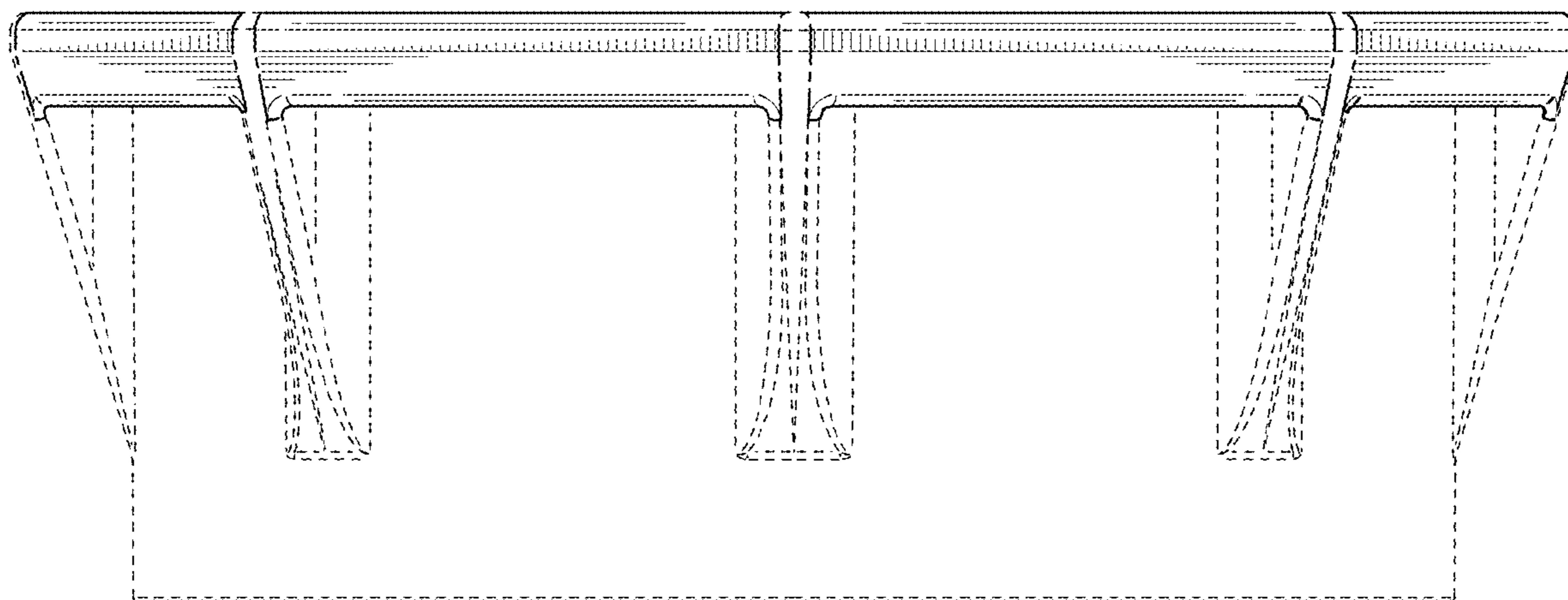


FIG. 3

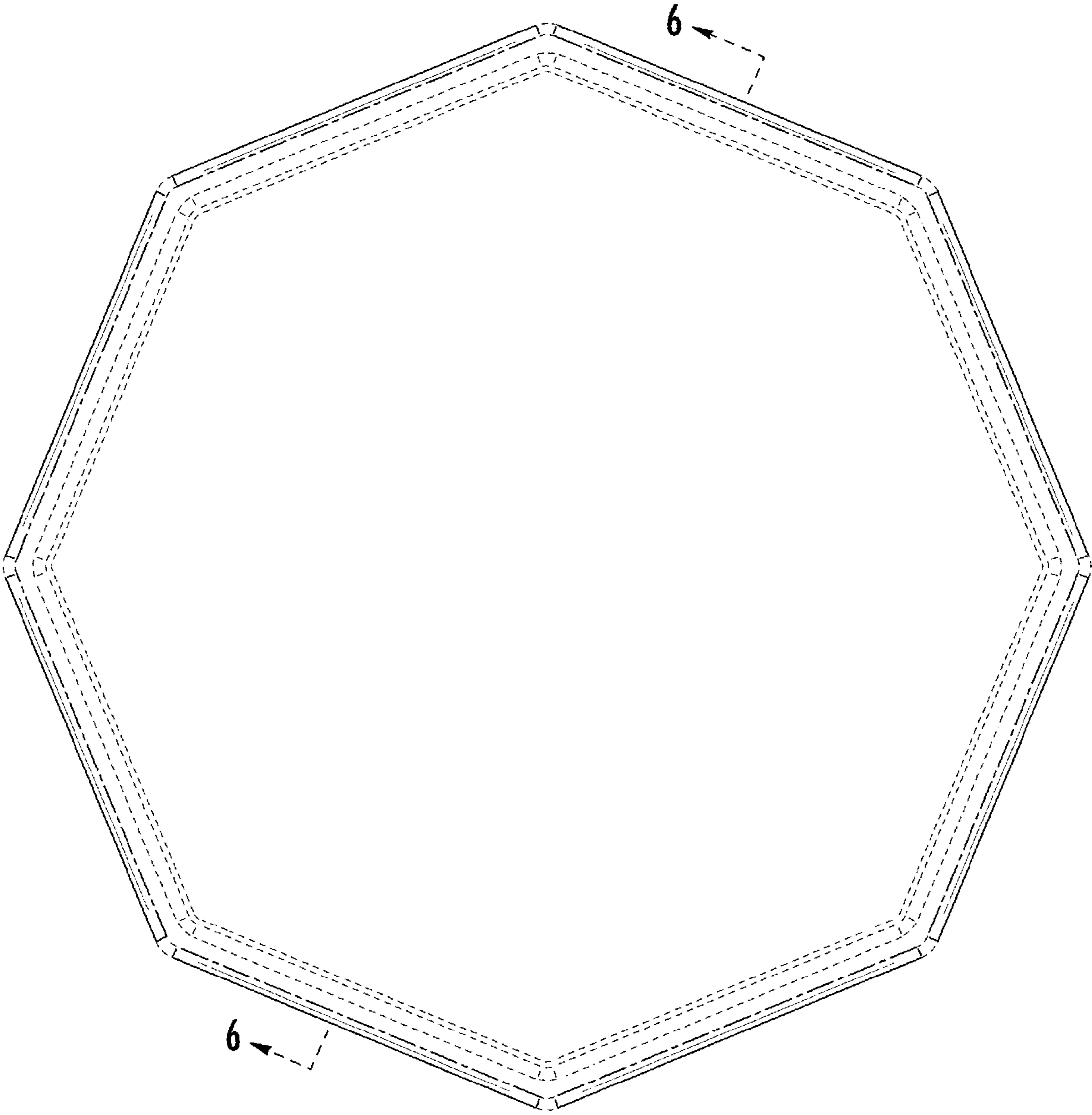


FIG. 4

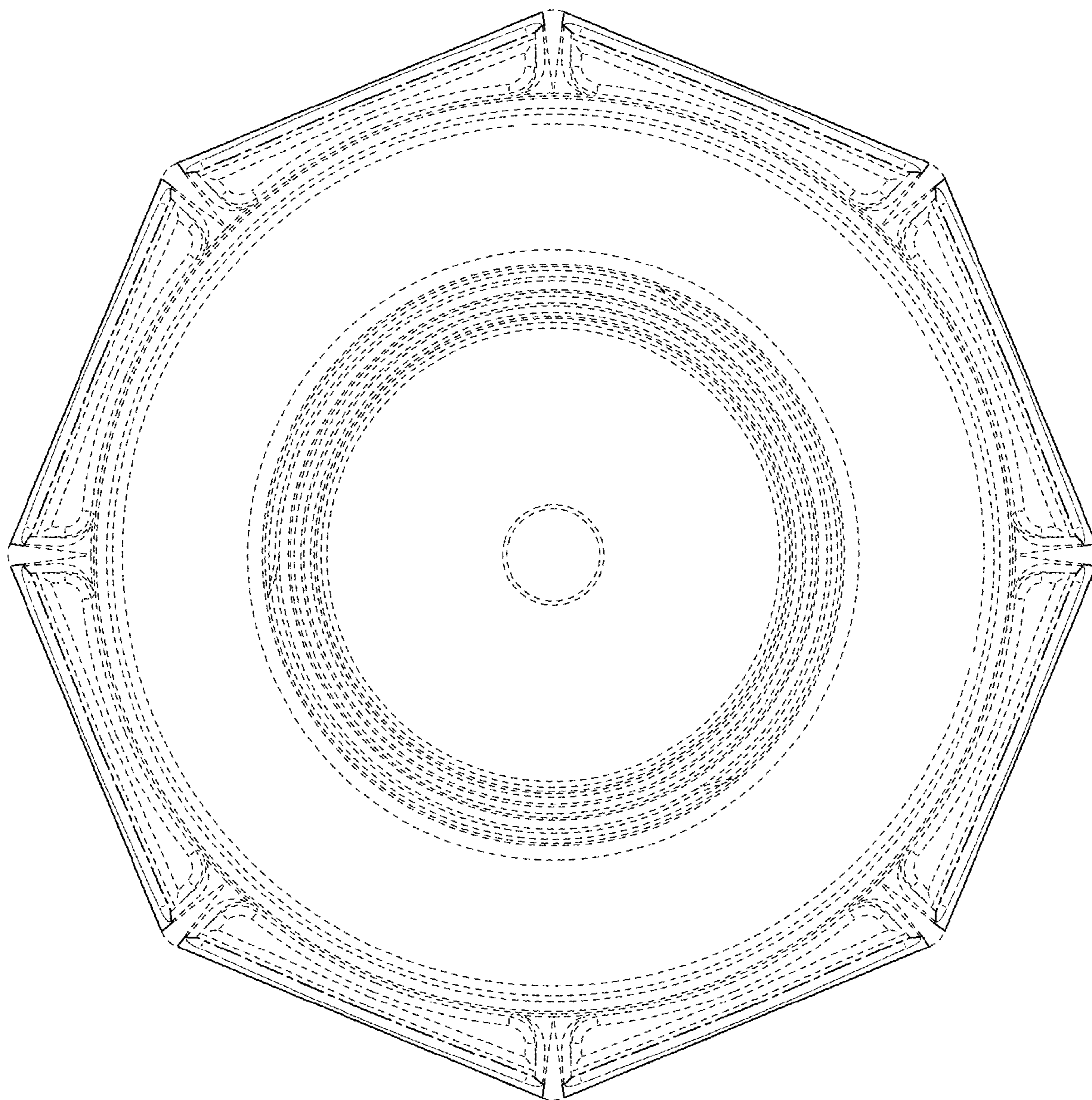


FIG. 5

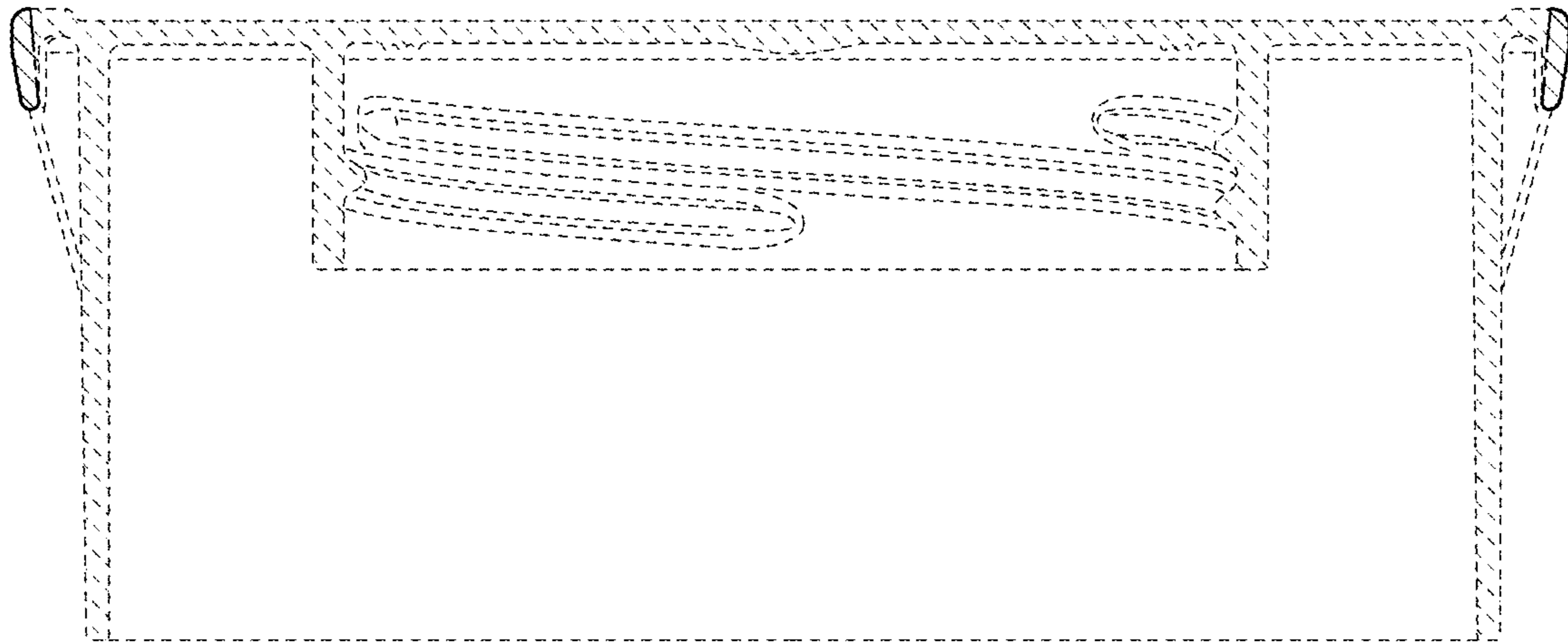


FIG. 6