



US00D939346S

(12) **United States Design Patent** (10) **Patent No.:** **US D939,346 S**  
**Marantis et al.** (45) **Date of Patent:** **\*\* Dec. 28, 2021**

- (54) **CAP SEAL FOR BOTTLE CAP**
- (71) Applicant: **CORNERSTONE CM, INC.**, Poland, OH (US)
- (72) Inventors: **Michael G. Marantis**, Poland, OH (US); **Richard A. Ponton**, New Milford, CT (US); **Joshua W. Hubbard**, New Milford, CT (US); **Jonathan P. Richards**, Derby, CT (US)
- (73) Assignee: **CSCM MANAGEMENT COMPANY LLC**, Poland, OH (US)
- (\*\*) Term: **15 Years**
- (21) Appl. No.: **29/760,397**
- (22) Filed: **Dec. 1, 2020**

**Related U.S. Application Data**

- (63) Continuation of application No. 29/713,836, filed on Nov. 19, 2019, now Pat. No. Des. 906,106, which is a continuation of application No. 29/659,047, filed on Aug. 6, 2018, now Pat. No. Des. 876,186, which is a continuation of application No. 29/591,655, filed on Jan. 23, 2017, now Pat. No. Des. 829,065.
- (51) **LOC (13) Cl.** ..... **09-07**
- (52) **U.S. Cl.**  
USPC ..... **D9/443**; D9/438; D9/454
- (58) **Field of Classification Search**  
USPC ..... D9/499, 438, 443, 452, 453, 454, D9/434-436, 440, 447, 449; D7/392.1, D7/396.2; D23/260, 261  
CPC ..... B65D 51/24  
See application file for complete search history.

(56) **References Cited**

**U.S. PATENT DOCUMENTS**

- D126,200 S 12/1939 Eisenberg
- D158,155 S 4/1950 Tupper

- D168,261 S 11/1952 Gruen
- D197,575 S 2/1964 Gulotta
- 3,122,256 A 2/1964 Orr
- D205,678 S 9/1966 Williams
- D226,576 S \* 3/1973 Swett ..... D7/391
- D229,735 S 1/1974 Croyle
- D266,389 S 10/1982 Jensen et al.
- D270,596 S 9/1983 Gallagher et al.

(Continued)

**OTHER PUBLICATIONS**

Global Fueling. Franklin Fueling 77720102 4" CARB Approved Top Seal Fill Cap. No date specified, <https://henrichinc.com/shop/franklin-fueling-77720102-4-carb-approved-top-seal-fill-cap.html> (Year: 0).\*

(Continued)

*Primary Examiner* — Darcey E Gottschalk  
(74) *Attorney, Agent, or Firm* — Tucker Ellis LLP

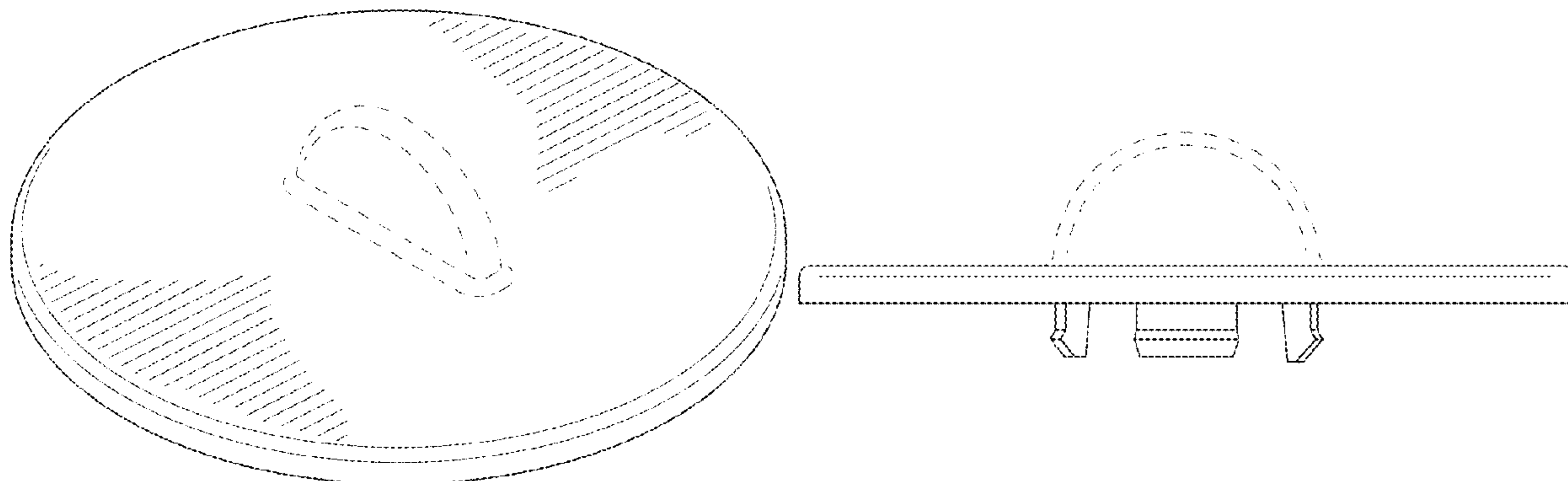
(57) **CLAIM**

The ornamental design for a cap seal for bottle cap, as shown and described.

**DESCRIPTION**

FIG. 1 is a top front perspective view of a cap seal for a bottle cap showing our new design; FIG. 2 is a front view of the cap seal illustrated in FIG. 1; FIG. 3 is rear view of the cap seal illustrated in FIG. 1; FIG. 4 is a top view of the cap seal illustrated in FIG. 1; FIG. 5 is a bottom view of the cap seal illustrated in FIG. 1; FIG. 6 is a left side view of the cap seal illustrated in FIG. 1; and, FIG. 7 is a right side view of the cap seal illustrated in FIG. 1. The broken lines show portions of the design that form no part of the claimed design.

**1 Claim, 4 Drawing Sheets**



(56)

References Cited

U.S. PATENT DOCUMENTS

D301,731 S 6/1989 Allen et al.  
 D307,115 S 4/1990 Waymack  
 D396,006 S 7/1998 Harris  
 D416,438 S \* 11/1999 Molo ..... D7/392  
 D423,307 S 4/2000 Dittmann, Jr.  
 D433,332 S 11/2000 Weber  
 D445,687 S 7/2001 Gilbertson  
 D446,419 S 8/2001 Ming-Shiue  
 D447,410 S 9/2001 Malmborg  
 D480,600 S 10/2003 Lillelund et al.  
 D513,549 S 1/2006 Schuster  
 D527,219 S 8/2006 Trombly  
 D528,192 S 9/2006 Nicholson  
 D547,657 S 7/2007 Tacchella  
 D550,030 S 9/2007 Peterson  
 D589,764 S 4/2009 Randolph  
 D612,197 S 3/2010 Chan  
 D637,080 S 5/2011 Brooks  
 D654,152 S 2/2012 Schulz  
 D681,460 S 5/2013 Kim  
 D682,103 S \* 5/2013 Jedlicka ..... D9/452  
 D689,735 S 9/2013 Redfern  
 D713,247 S 9/2014 Webster et al.  
 D716,653 S 11/2014 Balembois  
 D717,104 S 11/2014 Redfern  
 D718,136 S 11/2014 Harrity  
 D732,140 S 6/2015 Tempel  
 D738,210 S 9/2015 Tanner  
 D744,335 S 12/2015 Rigollet et al.  
 D748,472 S 2/2016 Seybel et al.  
 D753,489 S 4/2016 Shaw  
 D757,547 S 5/2016 Biswas et al.  
 9,371,161 B2 6/2016 Rudy  
 D767,387 S 9/2016 Wyatt et al.  
 D770,281 S 11/2016 Kim  
 D772,025 S 11/2016 Salzi  
 D772,713 S \* 11/2016 Chapman ..... D9/434  
 D774,630 S 12/2016 Mehari

D792,563 S 7/2017 Coronado et al.  
 D810,501 S 2/2018 Kastner et al.  
 D819,787 S 6/2018 Yeater  
 D820,677 S \* 6/2018 D'Anglade ..... D9/435  
 D826,630 S 8/2018 Wong  
 D829,065 S 9/2018 Marantis et al.  
 D830,117 S 10/2018 Shieh  
 D831,415 S 10/2018 Hansen et al.  
 D836,972 S \* 1/2019 Baron ..... D7/391  
 D839,666 S 2/2019 Bradshaw et al.  
 D845,446 S 4/2019 Seybel et al.  
 D849,533 S \* 5/2019 Broyles ..... D9/434  
 D850,255 S \* 6/2019 Petersson ..... D9/434  
 D867,060 S \* 11/2019 Bottari ..... D7/396.2  
 D870,249 S \* 12/2019 Johansen ..... D23/261  
 D879,608 S \* 3/2020 Stammen ..... D9/434  
 D906,106 S \* 12/2020 Marantis ..... D9/443

OTHER PUBLICATIONS

CP Lab Safety, ECO Funnels. 2017 (earliest online date), [site visited Dec. 21, 2017]; available from Internet, URL:<https://www.calpaclab.com/eco-funnels/>. Year: 2017.  
 GRAINGER; Funnel Threaded Adapter; 2017; Fleet and vehicle maintenance; Copyright 1994—2017 W.W. Grainger, Inc. All Rights Reserved; 3 pages.  
 Design Within Reach. No date specified, [https://www.dwr.com/cookware/terra-cotto-casserole/2516393.html?ang=en\\_US](https://www.dwr.com/cookware/terra-cotto-casserole/2516393.html?ang=en_US) (Year: 0).  
 Amazon. uxcell Kitchen Sink Drain Stopper Rubber Seal 80mm Stainless Steel Sealing Lid for Kitchen Sink. Aug. 12, 2019. <https://www.amazon.com/uxcell-Kitchen-Stopper-Stainless-Sealing/dp/B07WD2CF14> (Year: 2019).  
 Target. OXO Sink Stopper Strainer—Charcoal. No date specified. <https://www.target.com/p/oxo-sink-stopper-strainer-charcoal/-/A-16728624> (Year: 0).  
 Lowes. Danco White Bathroom Sink Stopper. No date specified. <https://www.lowes.com/pd/Danco-White-Bathroom-Sink-Stopper/3407798> (Year: 0).

\* cited by examiner

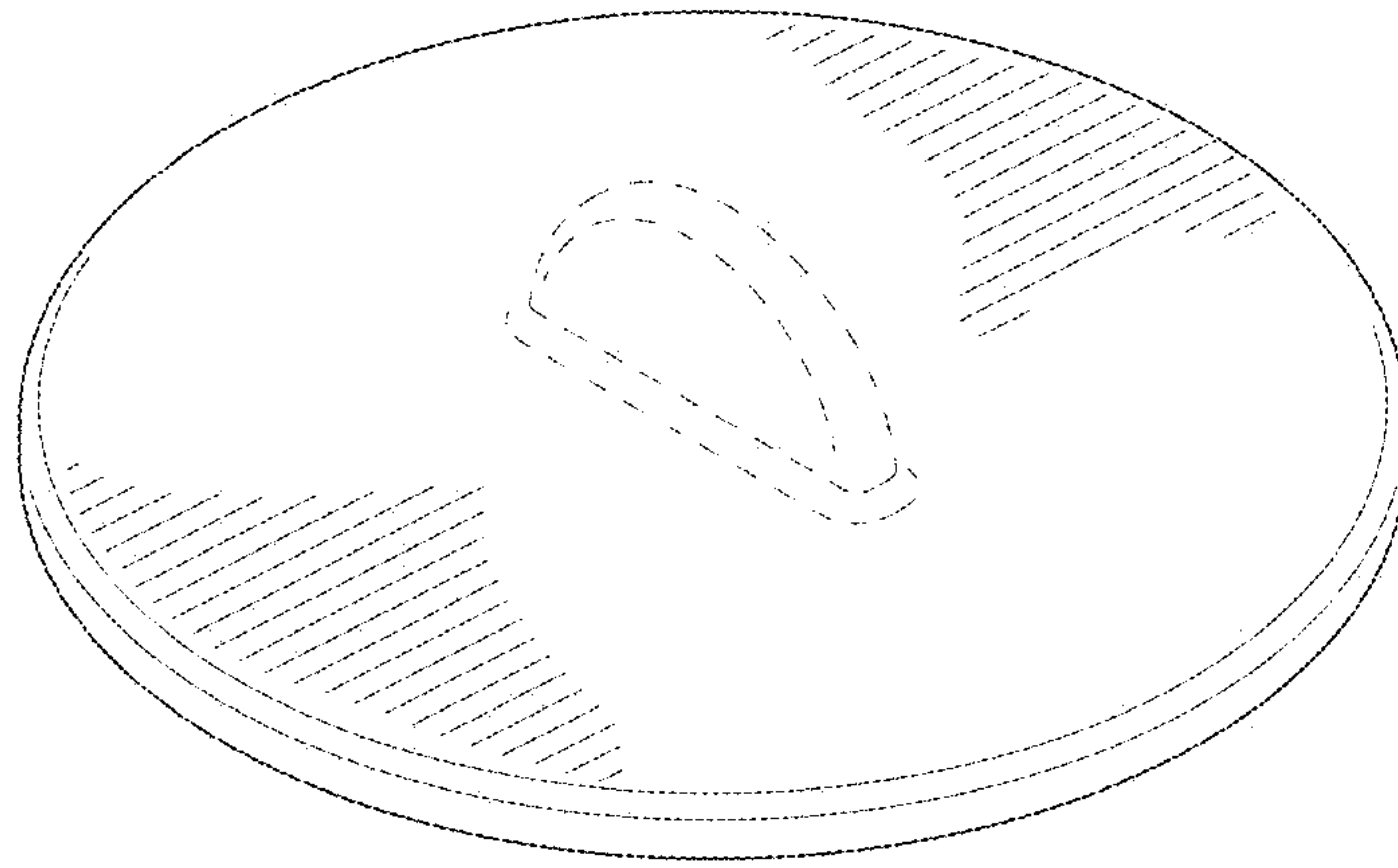


FIG. 1

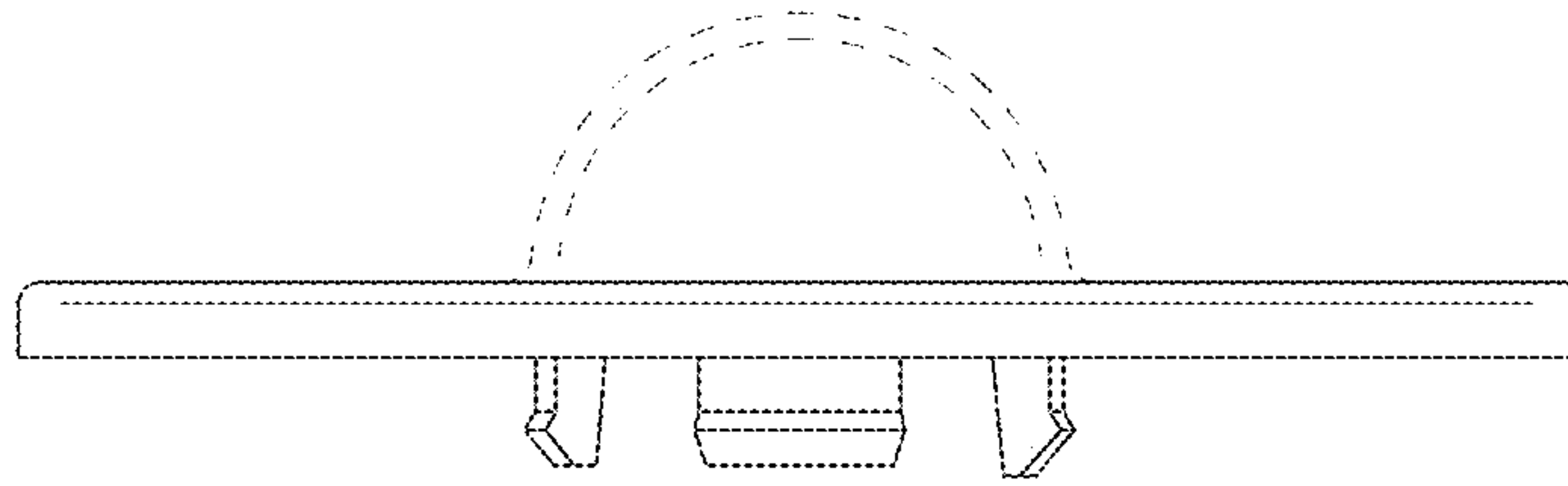


FIG. 2

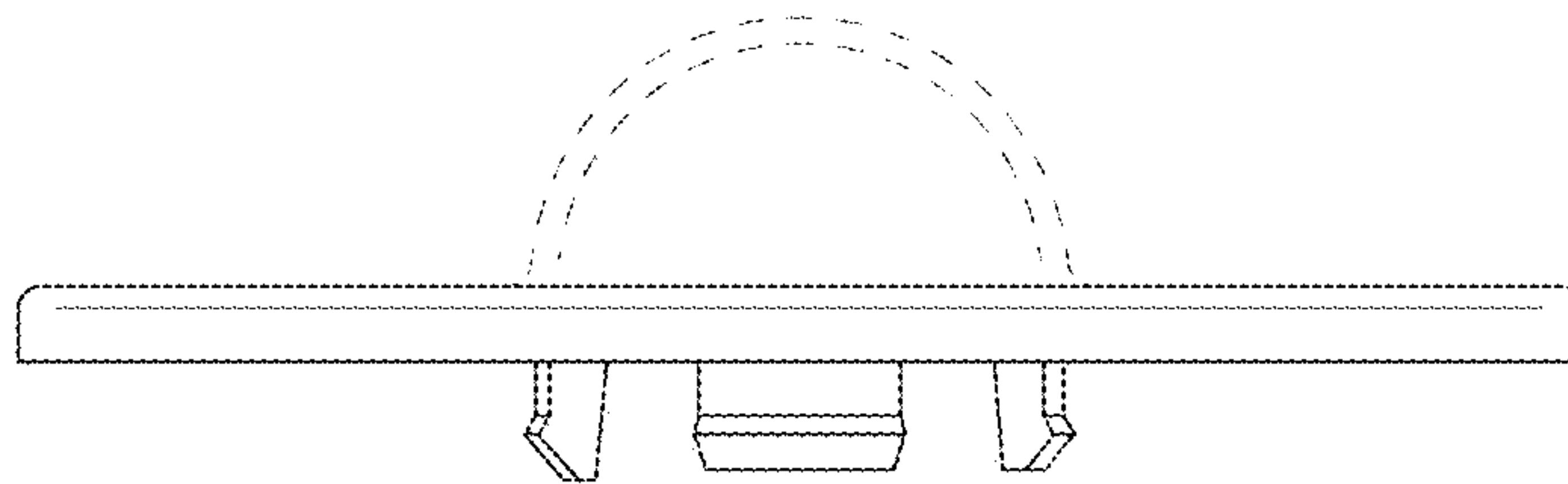


FIG. 3

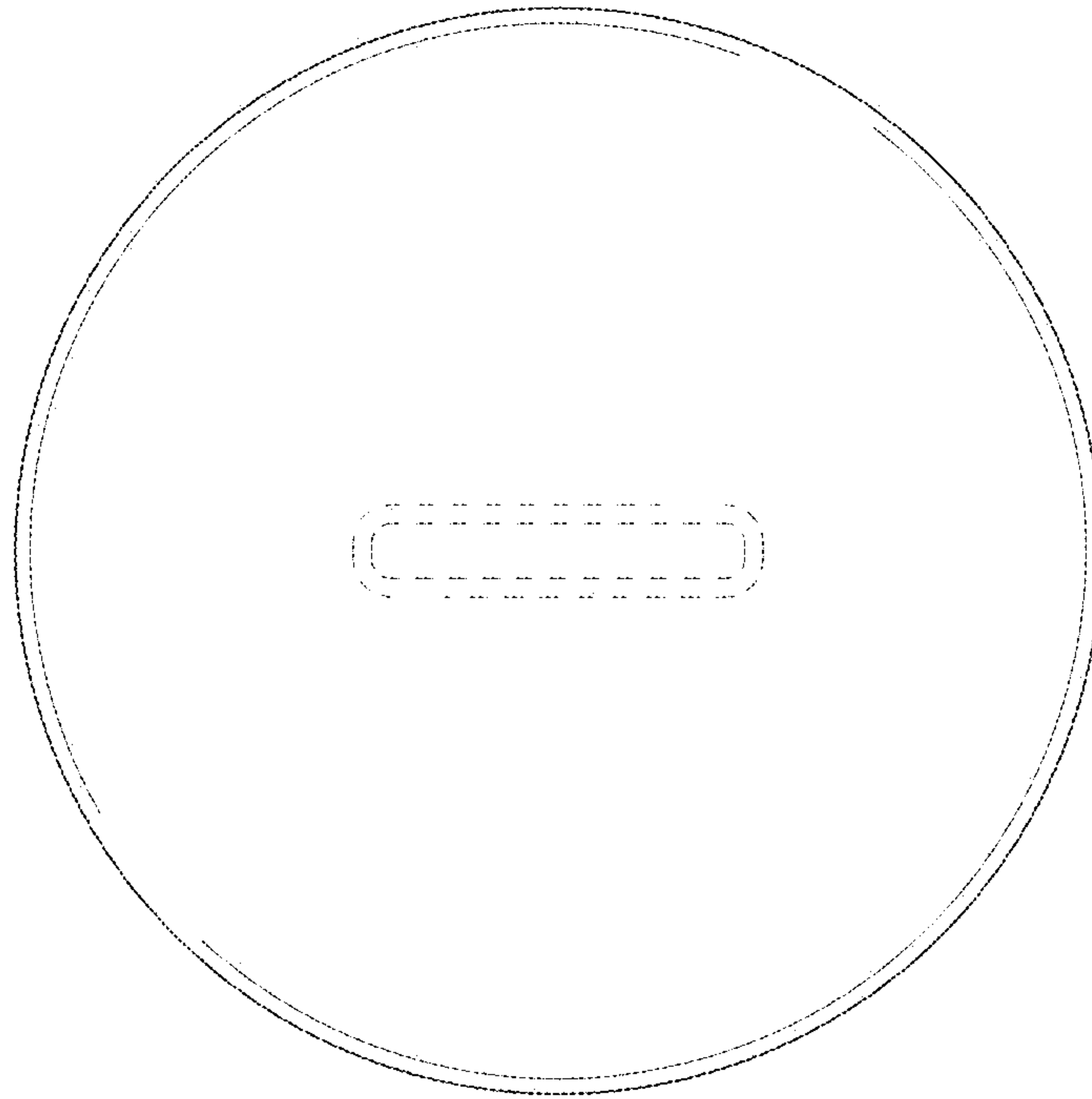


FIG. 4

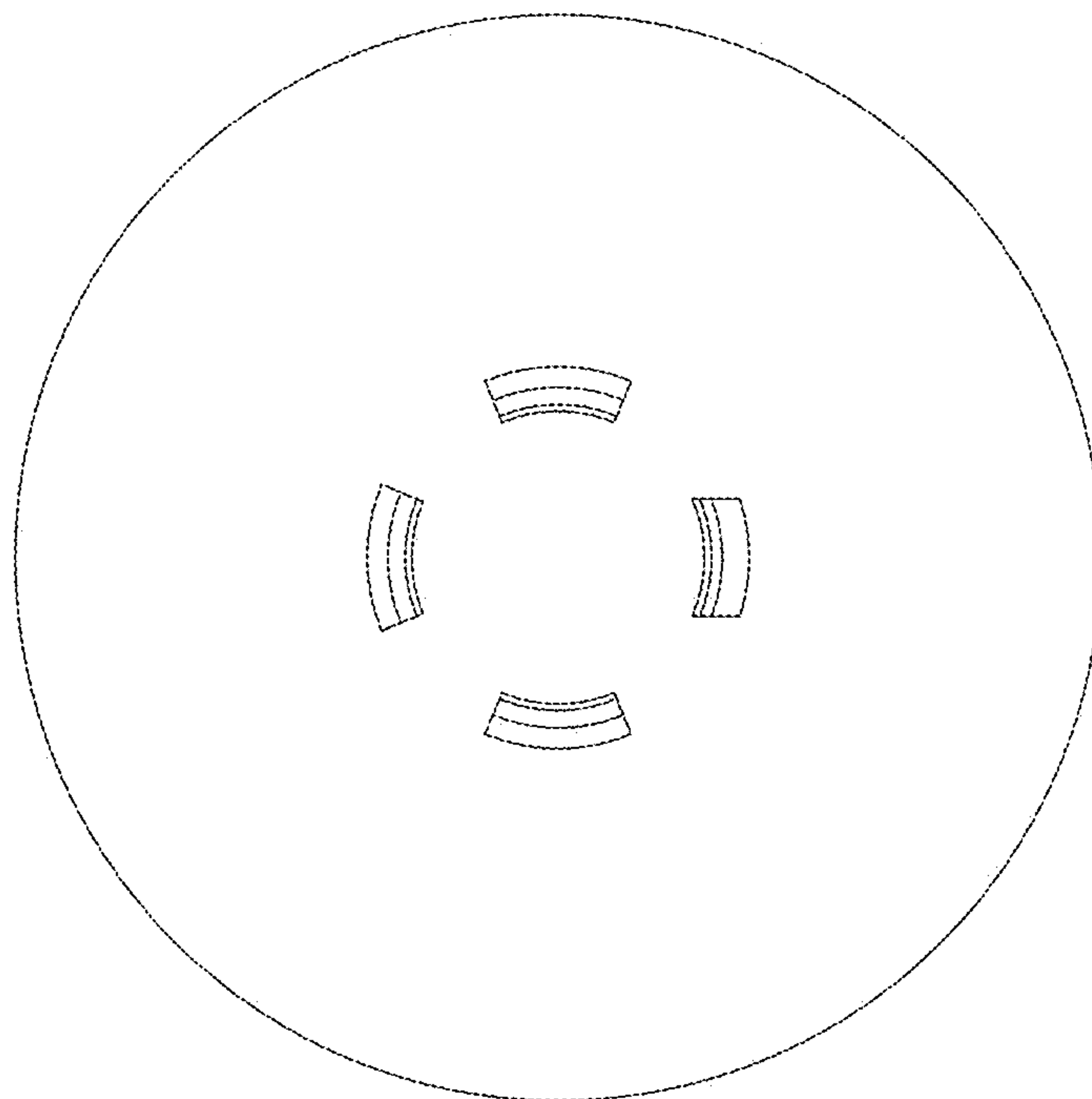


FIG. 5

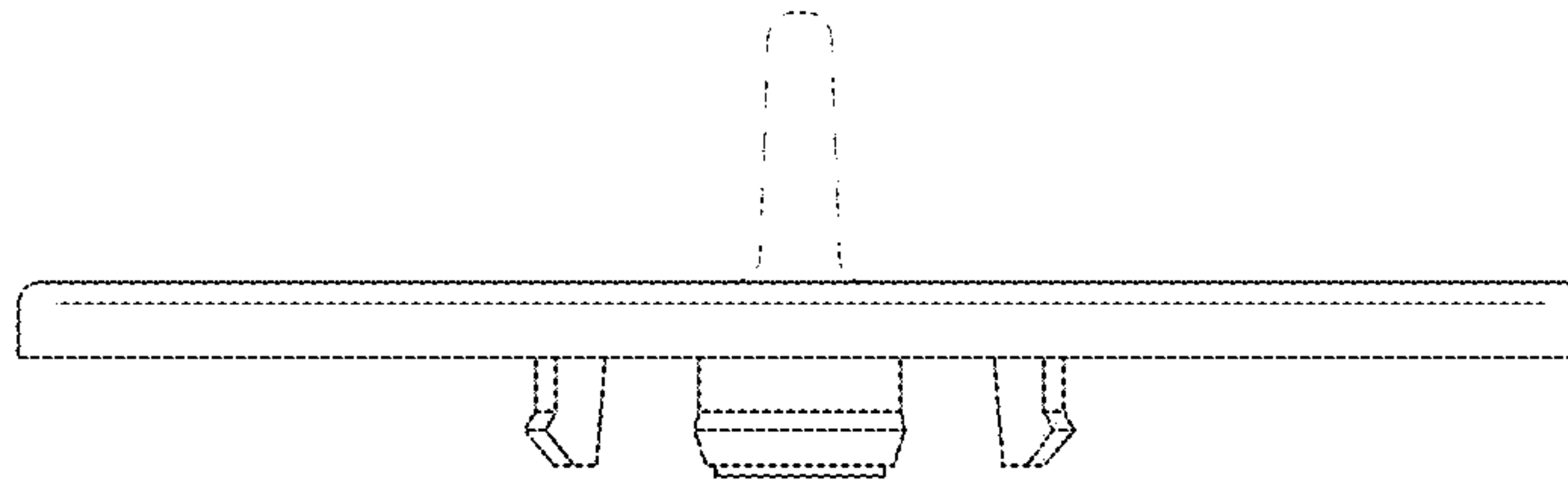


FIG. 6

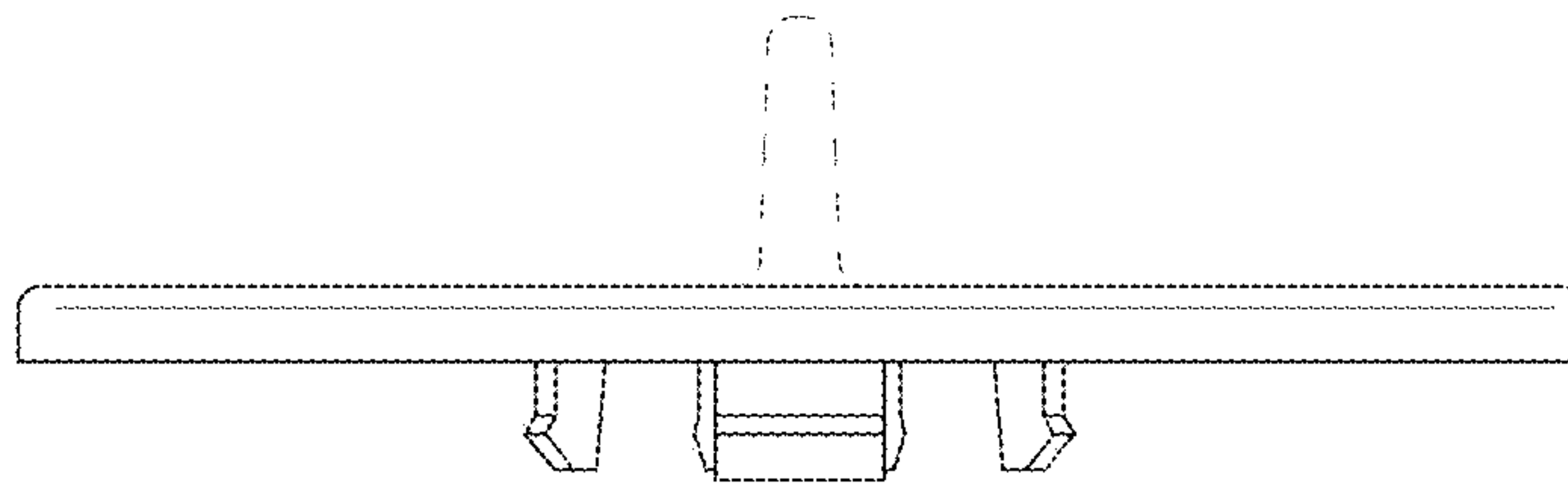


FIG. 7