



US00D939345S

(12) **United States Design Patent**
Drori

(10) **Patent No.:** **US D939,345 S**

(45) **Date of Patent:** **** Dec. 28, 2021**

(54) **CUP**

(71) Applicant: **Daily Harvest, Inc.**, New York, NY (US)

(72) Inventor: **Rachel Drori**, New York, NY (US)

(73) Assignee: **Daily Harvest, Inc.**, New York, NY (US)

(**) Term: **15 Years**

(21) Appl. No.: **29/735,678**

(22) Filed: **May 22, 2020**

(51) **LOC (13) Cl.** **09-03**

(52) **U.S. Cl.**
USPC **D9/428**

(58) **Field of Classification Search**
USPC D7/400, 601, 608; D9/416, 417, 420,
D9/425-429, 430, 432, 761
CPC A47J 19/005; A47J 31/06; A47J 31/0689;
B65D 1/00; B65D 1/26; B65D 1/34;
B65D 1/40; B65D 85/804; B65D
85/8043; B65D 2581/3409
See application file for complete search history.

(56) **References Cited**

U.S. PATENT DOCUMENTS

- 3,759,437 A * 9/1973 Amberg B65D 3/22
229/400
- D244,063 S * 4/1977 Christian D7/530
- D273,651 S * 5/1984 Emrick D7/523
- 5,628,453 A * 5/1997 MacLaughlin B65D 1/265
220/739
- D426,463 S * 6/2000 Landis, II D9/428
- 6,325,213 B1 * 12/2001 Landis, II B65D 3/12
206/508
- D476,857 S * 7/2003 Holsinger D7/523
- D598,743 S * 8/2009 LaMasney D7/316
- D610,873 S * 3/2010 Wingfield D7/523

- D624,788 S * 10/2010 Koennecke D7/509
- D635,399 S * 4/2011 DelVecchio D7/523
- D735,574 S * 8/2015 Brady D9/428
- D746,641 S * 1/2016 Panone D7/602
- D753,954 S * 4/2016 Schreiber D7/400
- D769,712 S * 10/2016 Antignane D9/445
- D824,494 S * 7/2018 Martins D23/261
- D873,076 S * 1/2020 Pan D7/523
- D890,574 S * 7/2020 Plott D7/523

OTHER PUBLICATIONS

InDrah Plastic Cups with Dome Lids, announced Mar. 24, 2021, [online], site visited Aug. 3, 2021. Available from Internet, URL: <http://www.amazon.com> (Year: 2021).*

Szeyuen Plastic Cups with Lids, announced Apr. 2, 2021, [online], site visited Aug. 3, 2021. Available from Internet, URL: <http://www.amazon.com> (Year: 2021).*

* cited by examiner

Primary Examiner — Janice Patyk
(74) *Attorney, Agent, or Firm* — McCarter & English, LLP

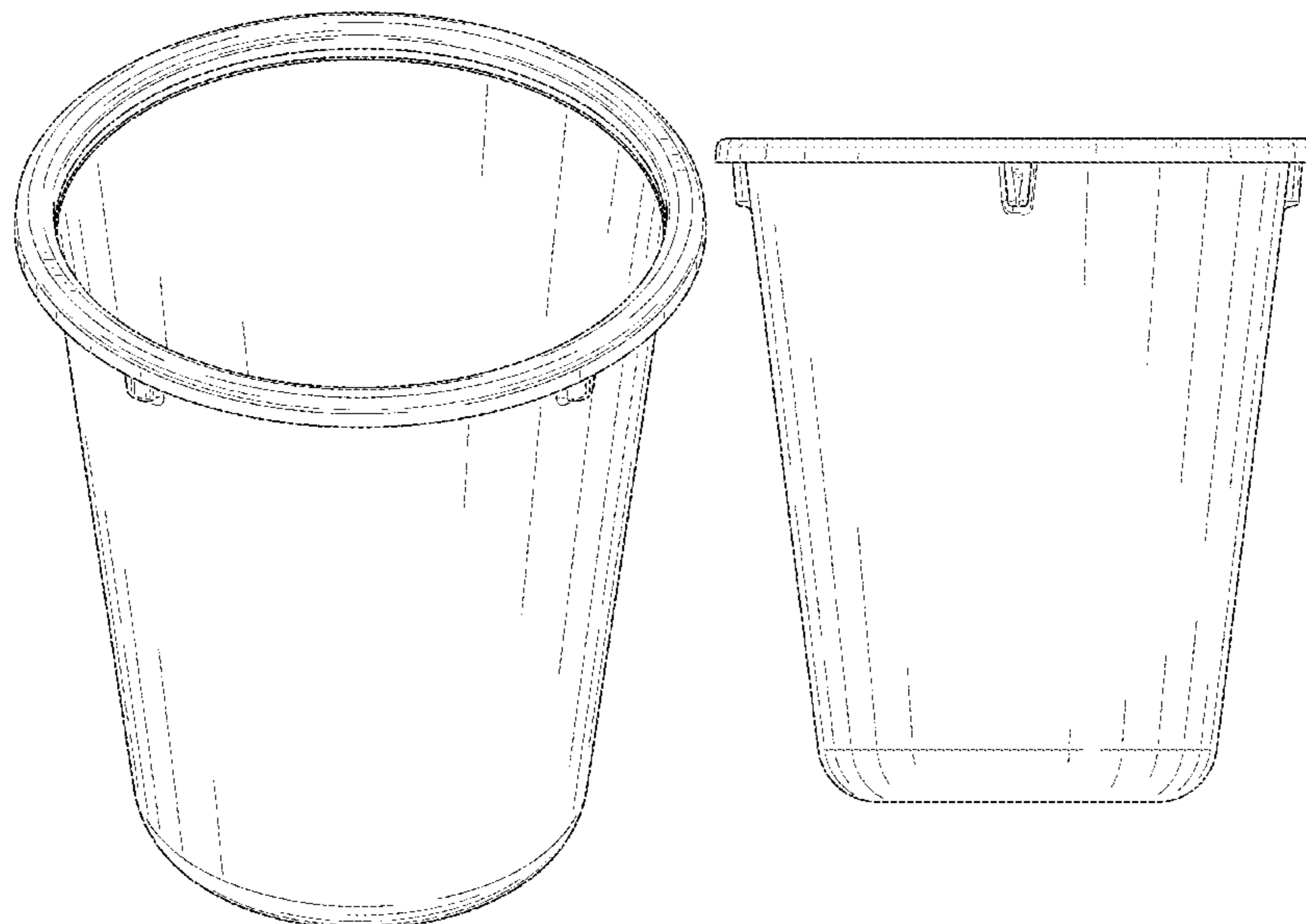
(57) **CLAIM**

The ornamental design for a cup, as shown and described.

DESCRIPTION

FIG. 1 is a top perspective view of a cup, showing my new design;
FIG. 2 is a front view thereof,
FIG. 3 is a rear view thereof;
FIG. 4 is a right side view thereof;
FIG. 5 is a left side view thereof;
FIG. 6 is a top view thereof; and,
FIG. 7 is a bottom view thereof.
The dot-dash broken lines immediately adjacent to the claimed areas in the views represent the boundaries of the design and form no part of the claimed design.

1 Claim, 6 Drawing Sheets



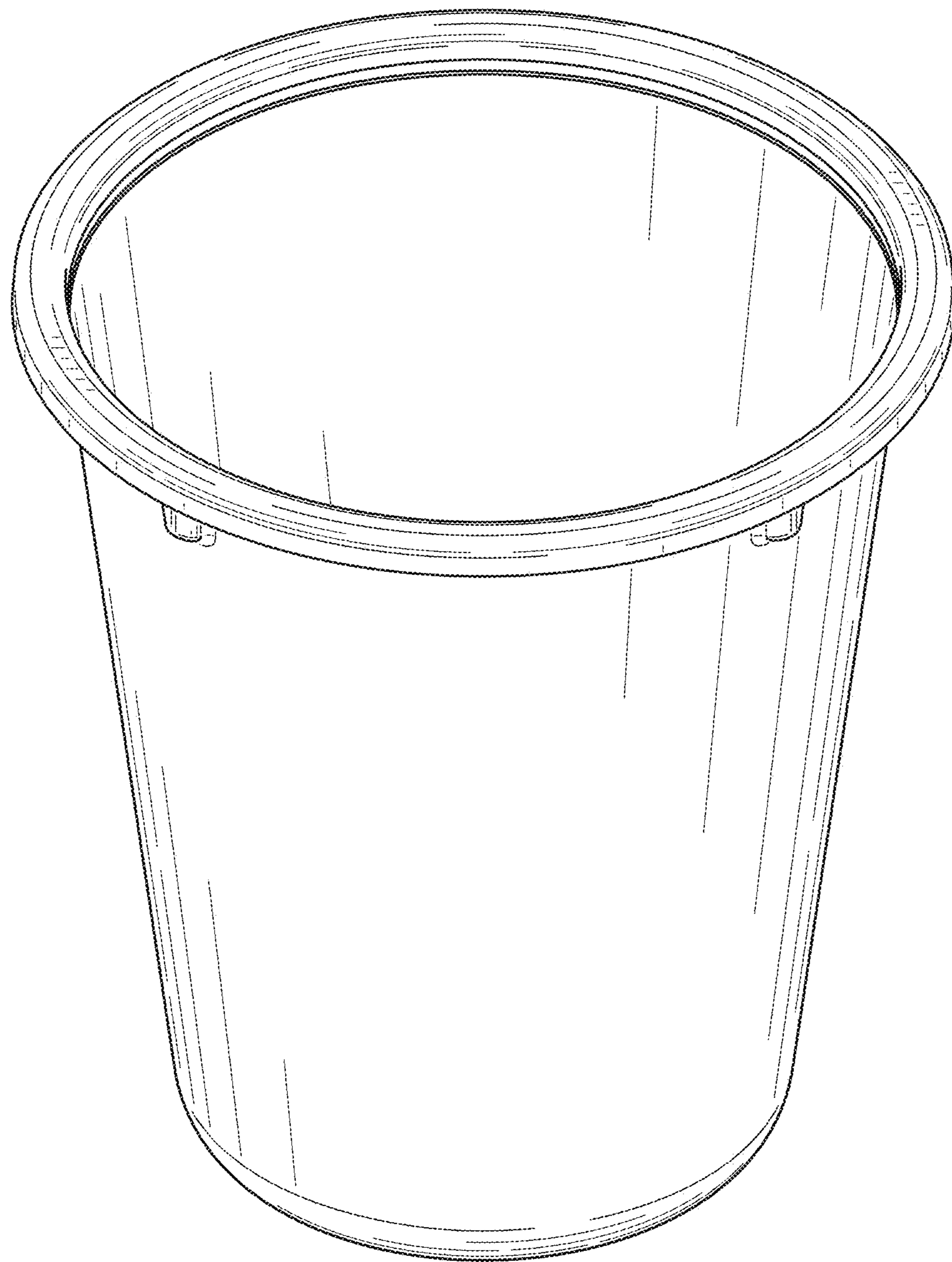


FIG. 1

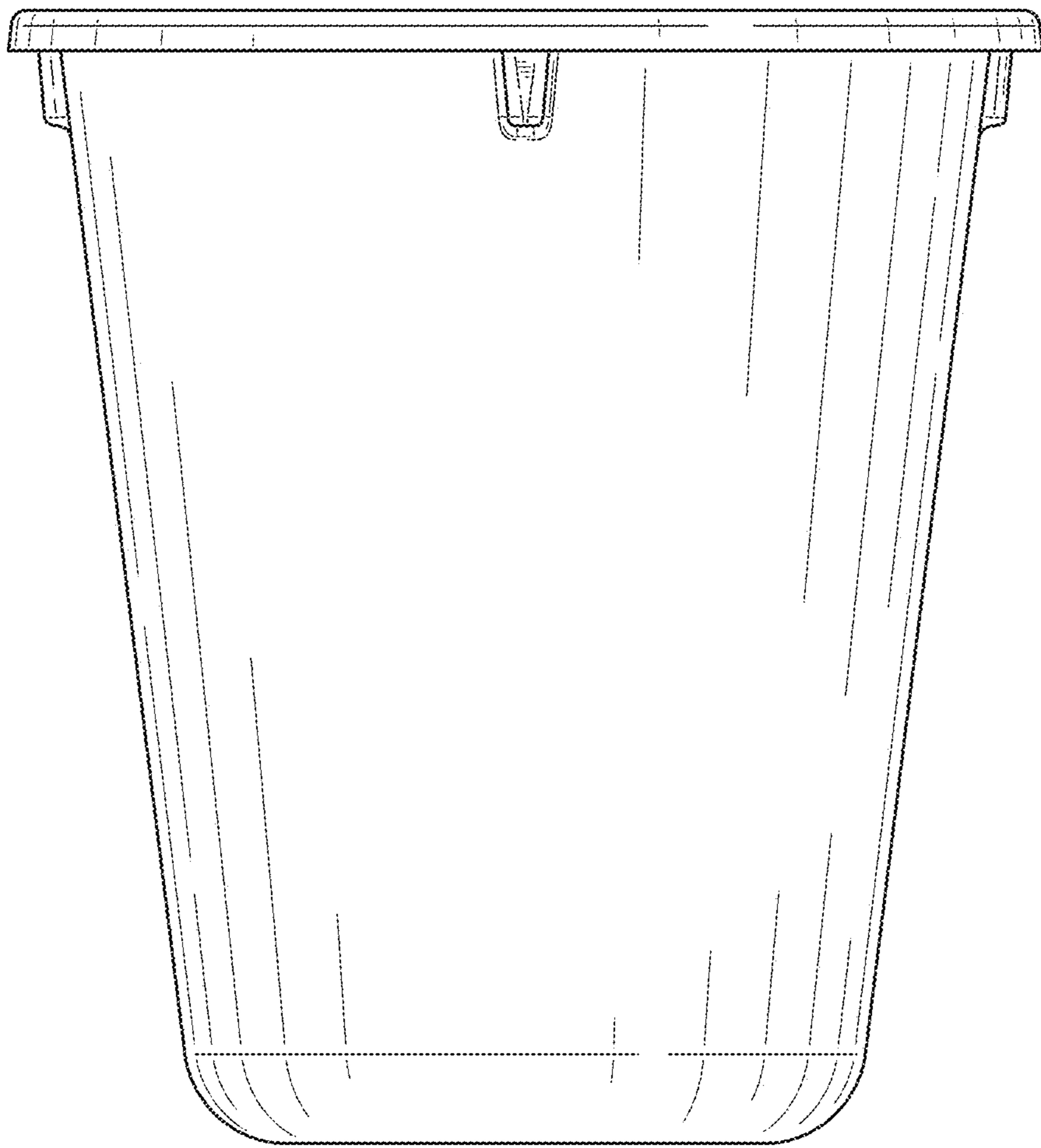


FIG. 2

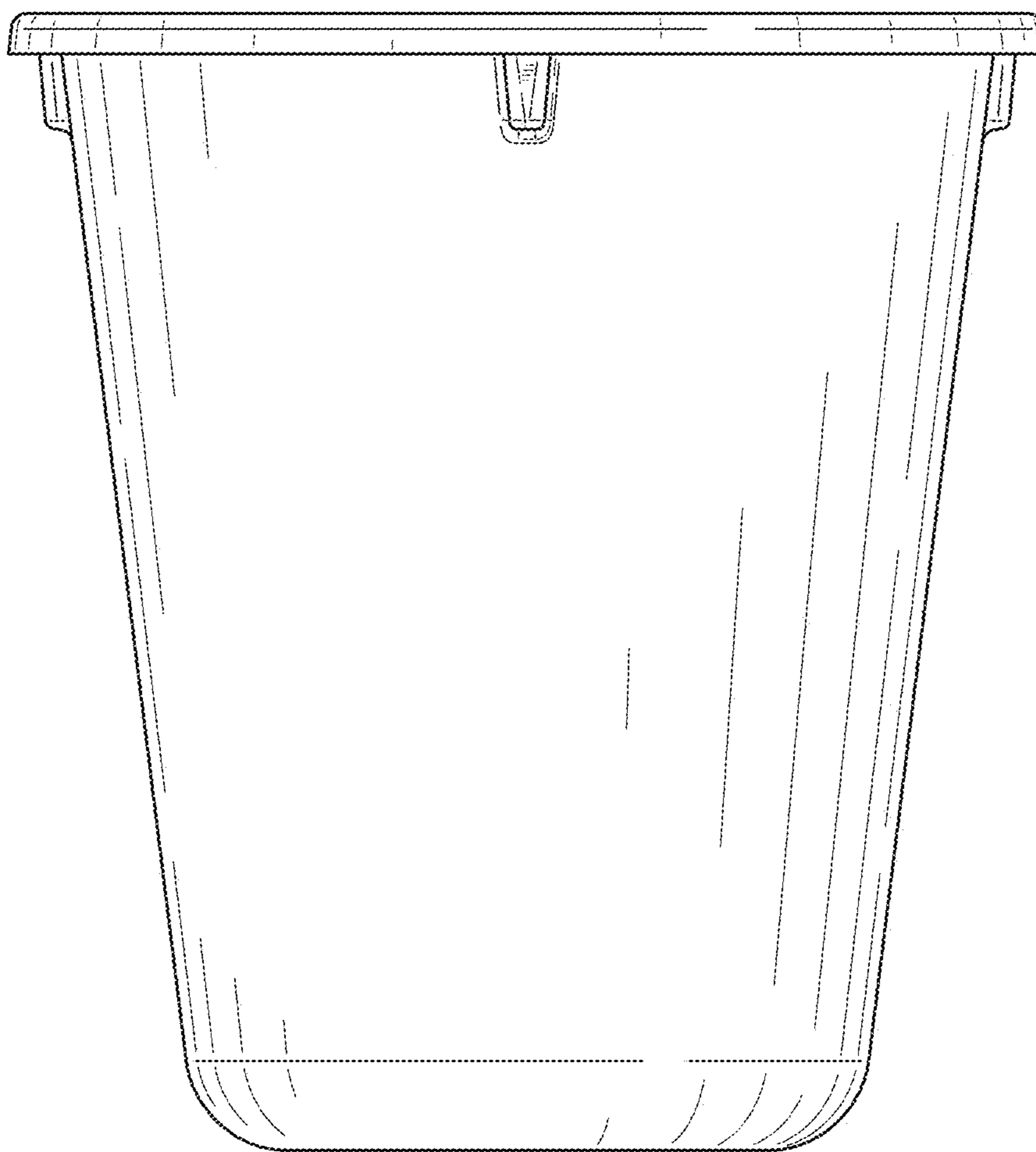


FIG. 3

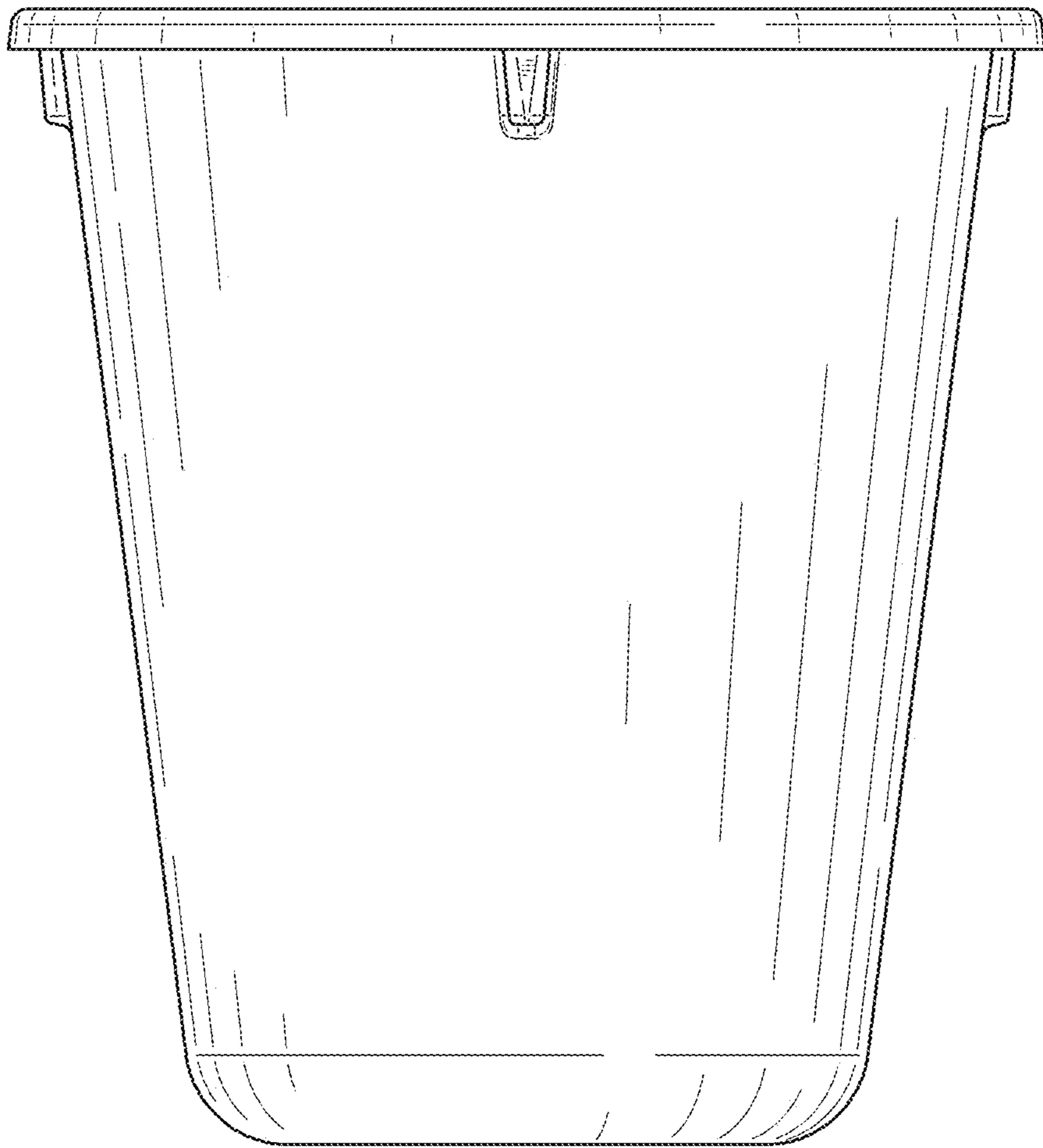


FIG. 4

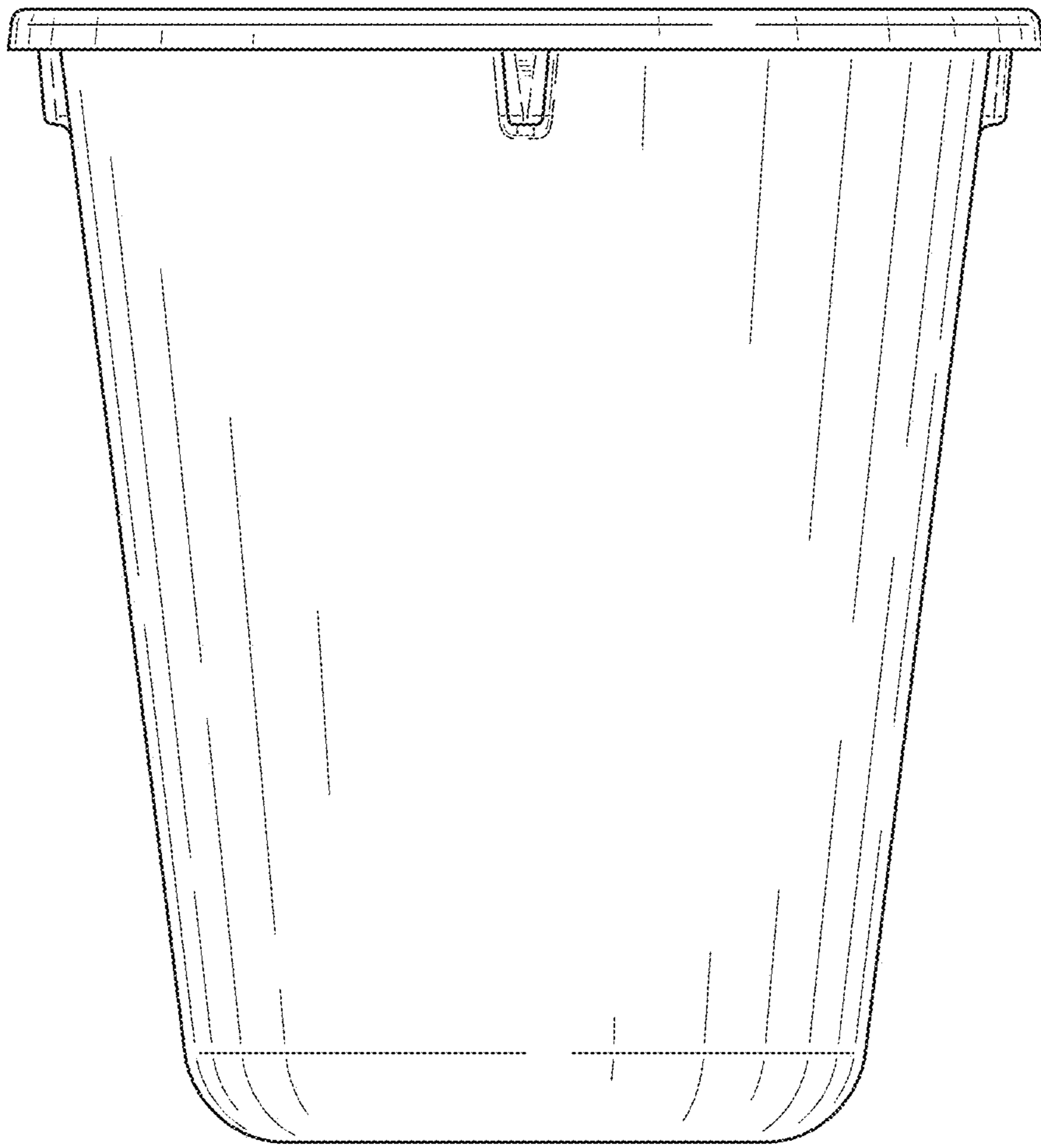


FIG. 5

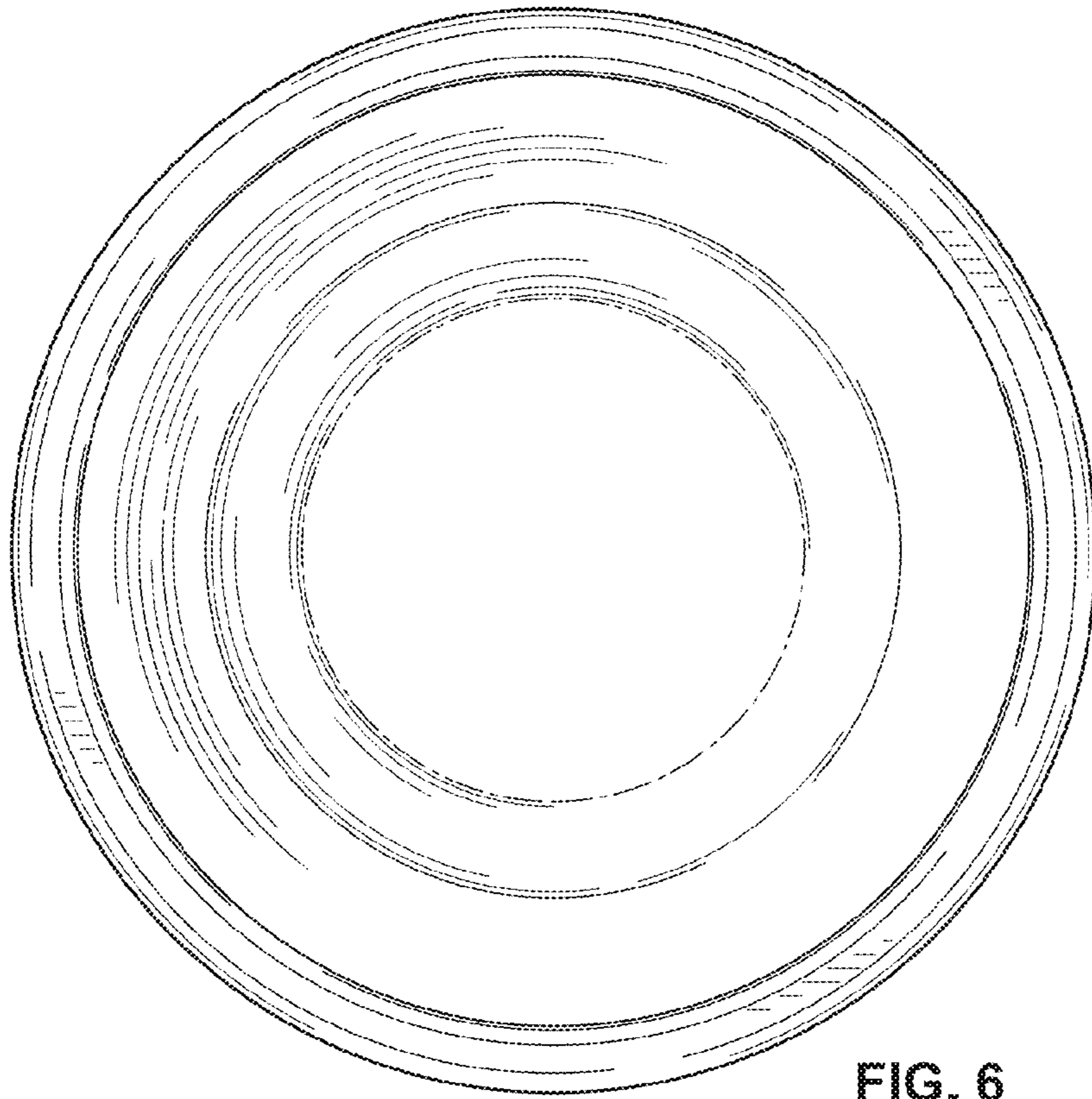


FIG. 6

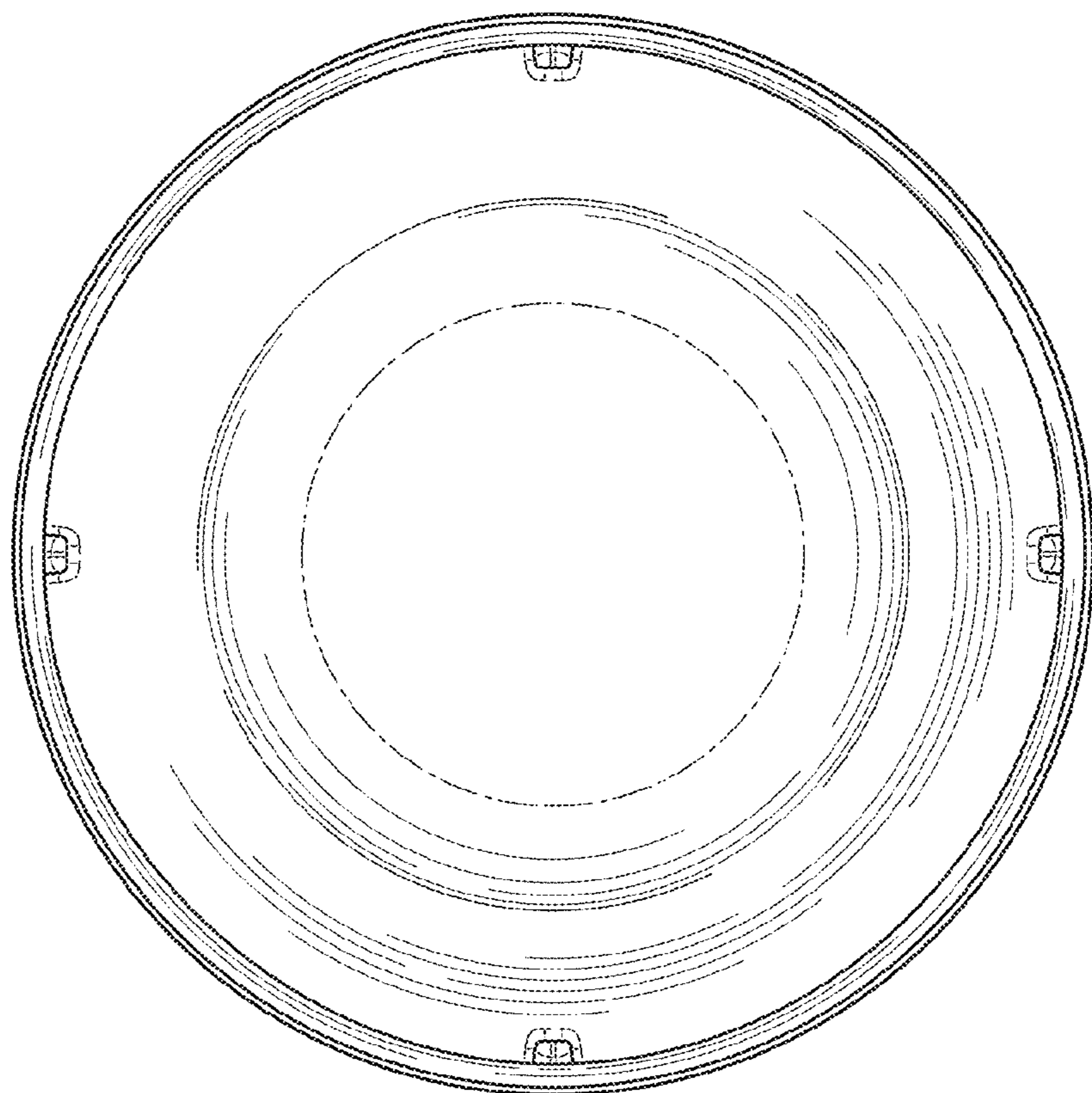


FIG. 7