

US00D939344S

(12) **United States Design Patent**
Gisholt

(10) **Patent No.:** **US D939,344 S**

(45) **Date of Patent:** **** Dec. 28, 2021**

(54) **POD**
(71) Applicant: **Blueshift Nutrition Inc.**, Duxbury, MA (US)
(72) Inventor: **Paal Gisholt**, Duxbury, MA (US)
(73) Assignee: **Blueshift Nutrition, Inc.**, Duxbury, MA (US)

(**) Term: **15 Years**

(21) Appl. No.: **29/718,602**

(22) Filed: **Dec. 26, 2019**

(51) **LOC (13) Cl.** **09-03**

(52) **U.S. Cl.**
USPC **D9/425**

(58) **Field of Classification Search**
USPC D7/400, 601, 608; D9/416, 417, 420, D9/425-429, 430, 432, 761
CPC A47J 19/005; A47J 31/06; A47J 31/0689; B65D 1/00; B65D 1/26; B65D 1/34; B65D 1/40; B65D 85/804; B65D 85/8043; B65D 2581/3409
See application file for complete search history.

(56) **References Cited**

U.S. PATENT DOCUMENTS

D216,870 S * 3/1970 Gregor D9/429
D267,543 S * 1/1983 Nemura D9/428

D270,813 S * 10/1983 Fortuna D9/428
D710,686 S * 8/2014 Gowens D9/429
D753,483 S * 4/2016 Accursi D9/429
D796,898 S * 9/2017 Robotti D7/400
D815,925 S * 4/2018 Rapparini D9/500
D817,757 S * 5/2018 Kim D9/429
2015/0183575 A1 * 7/2015 Doglioni Majer . B65D 85/8046 99/295

* cited by examiner

Primary Examiner — Janice Patyk

(74) *Attorney, Agent, or Firm* — Mintz Levin Cohn Ferris Glovsky and Popeo, P.C.; Peter F. Corless

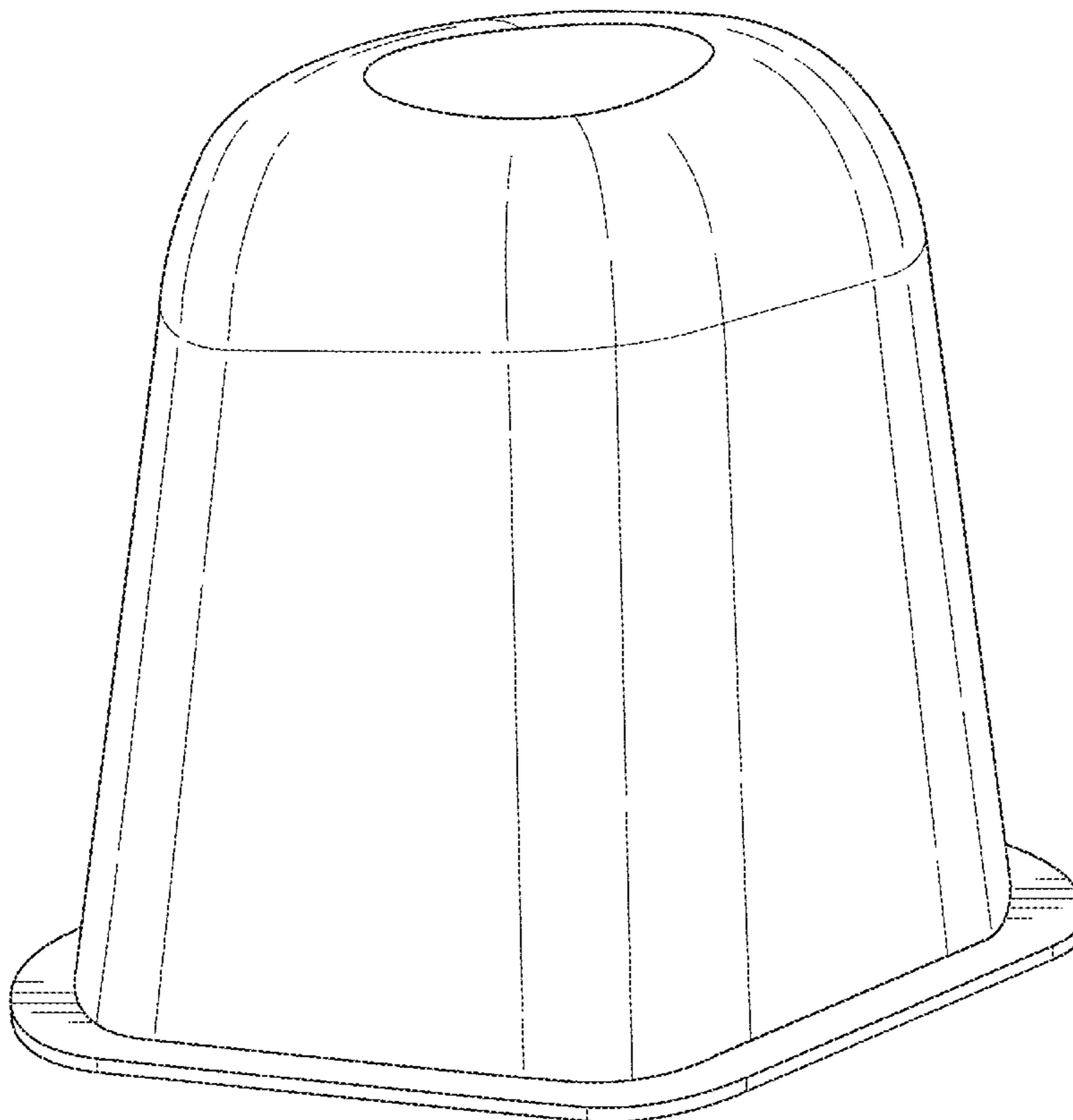
(57) **CLAIM**

The ornamental design for a pod, as shown and described.

DESCRIPTION

FIG. 1 is a top perspective view of a pod, showing my new design;
FIG. 2 is a bottom perspective view of FIG. 1;
FIG. 3 is a bottom view of FIG. 1;
FIG. 4 is a top view of FIG. 1;
FIG. 5 is a right side view of FIG. 1;
FIG. 6 is a rear view of FIG. 1;
FIG. 7 is a left side view of FIG. 1; and,
FIG. 8 is a front view of FIG. 1.

1 Claim, 8 Drawing Sheets



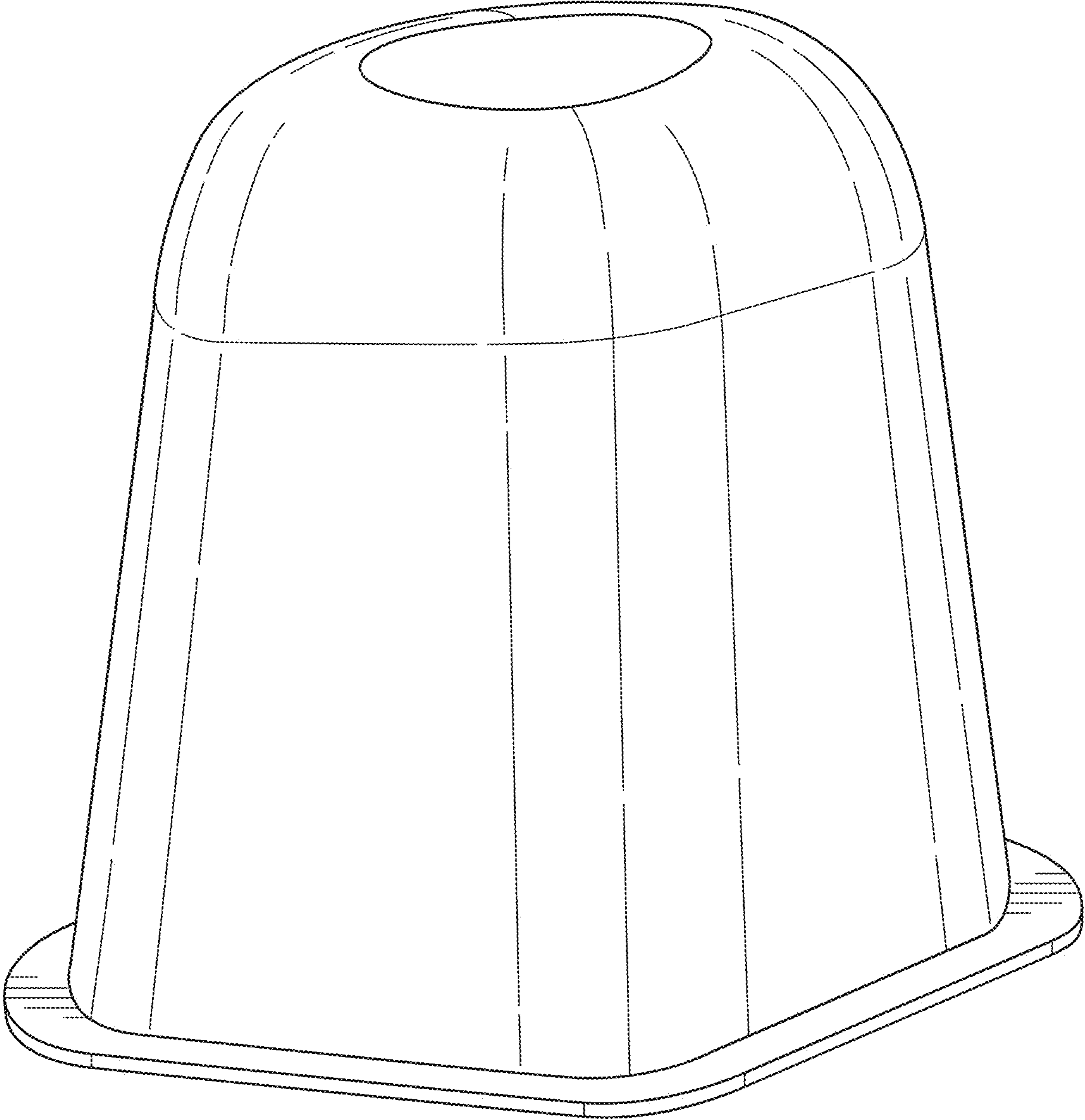


FIG. 1

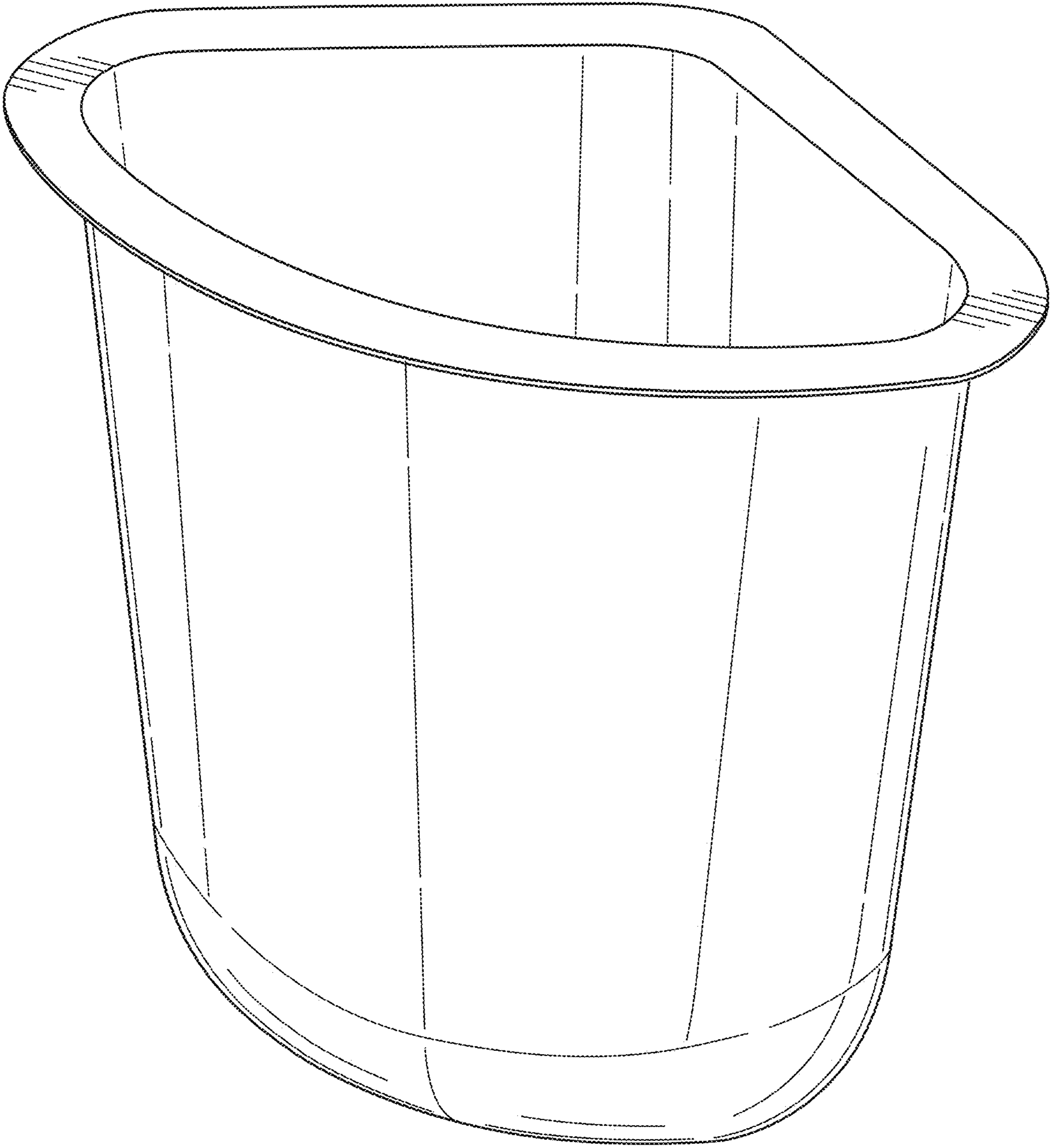


FIG. 2

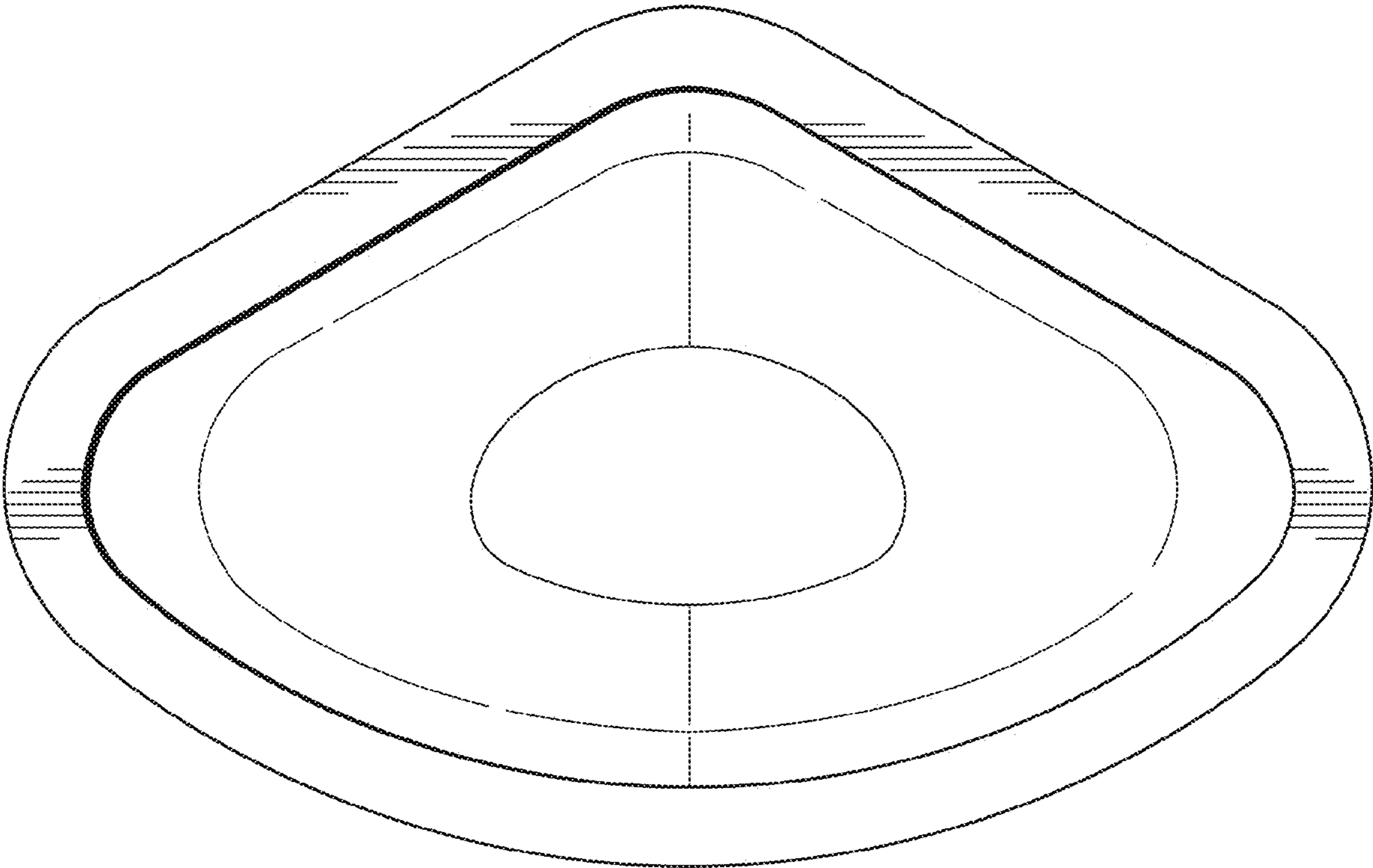


FIG. 3

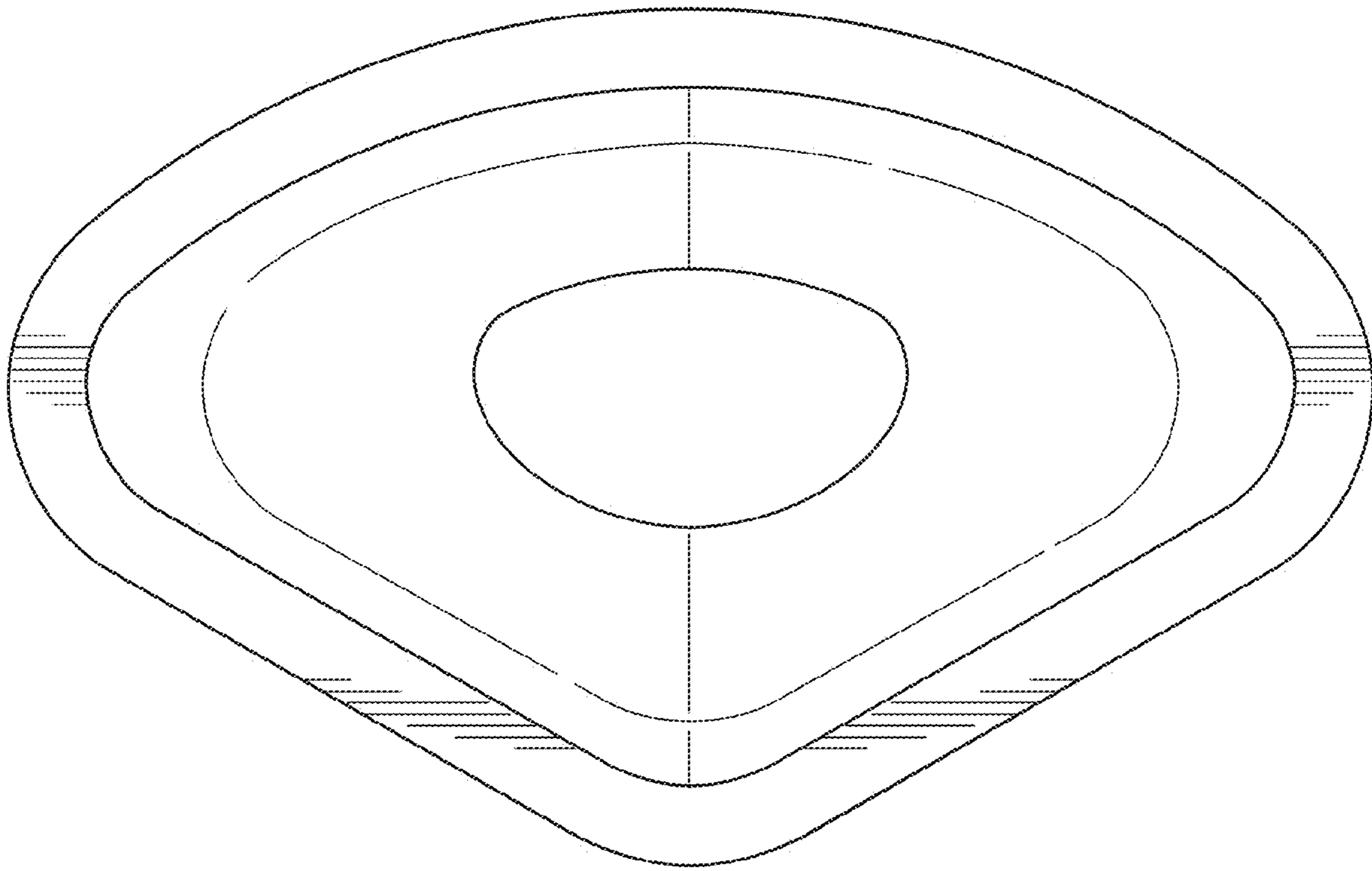


FIG. 4

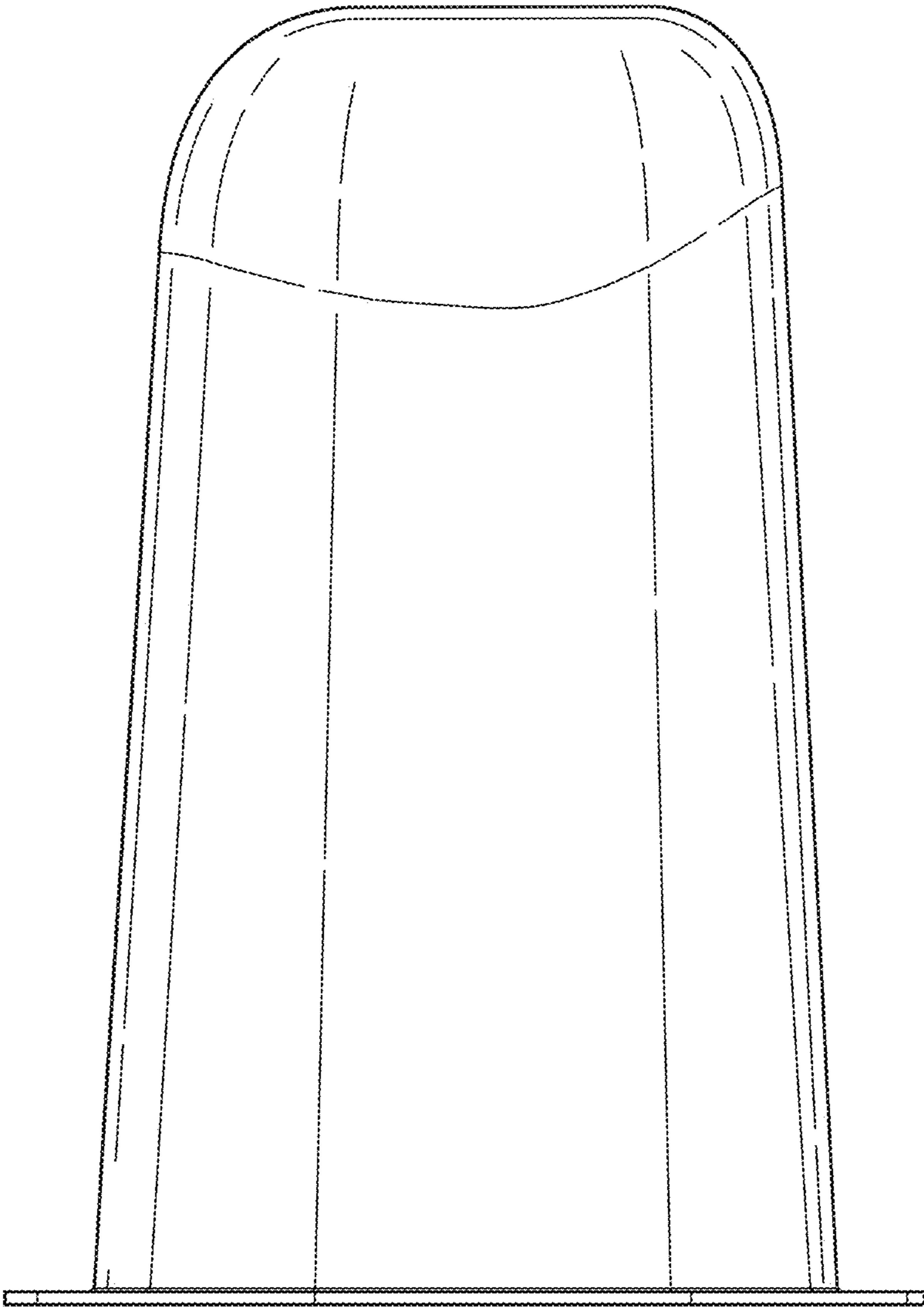


FIG. 5

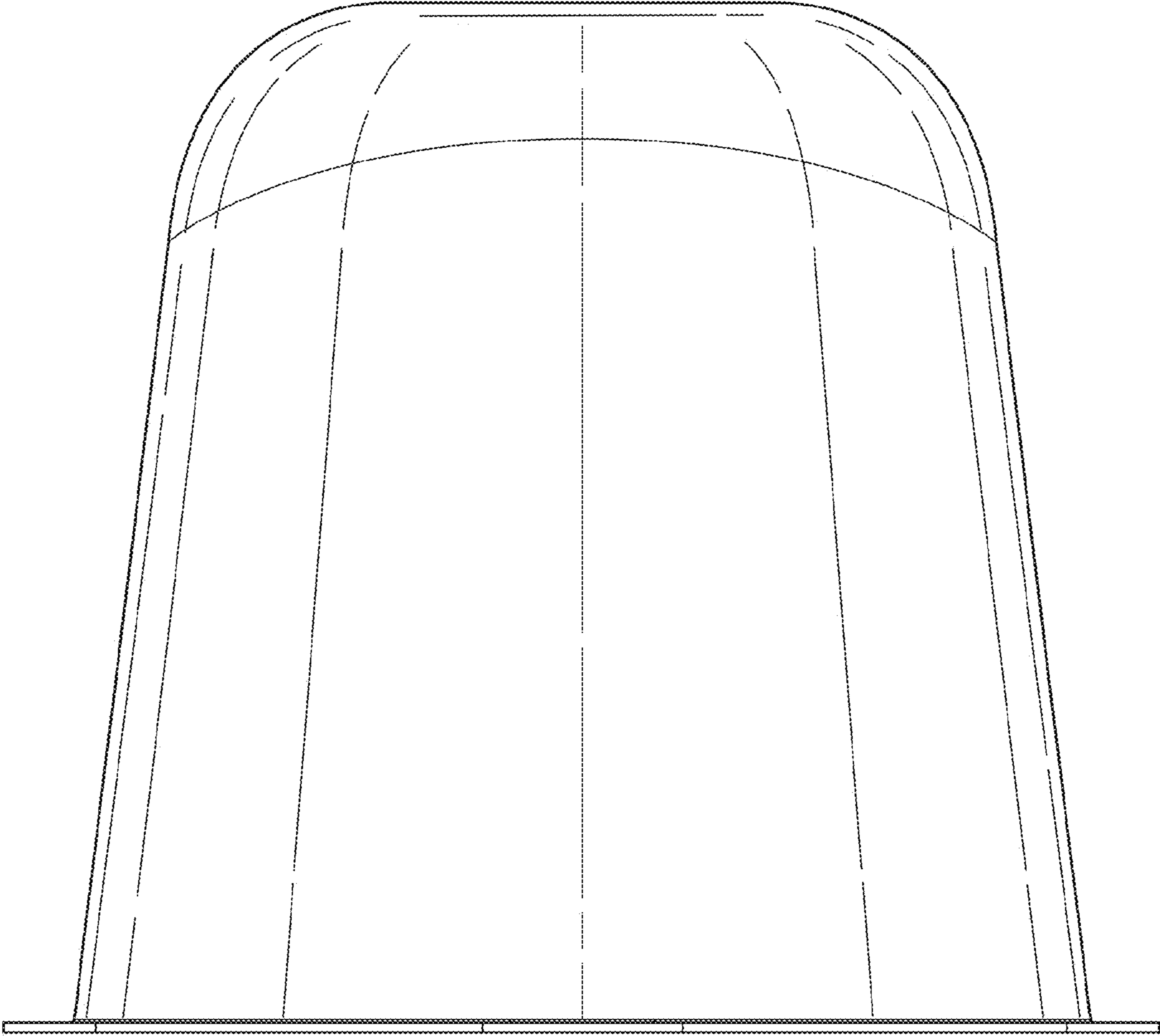


FIG. 6

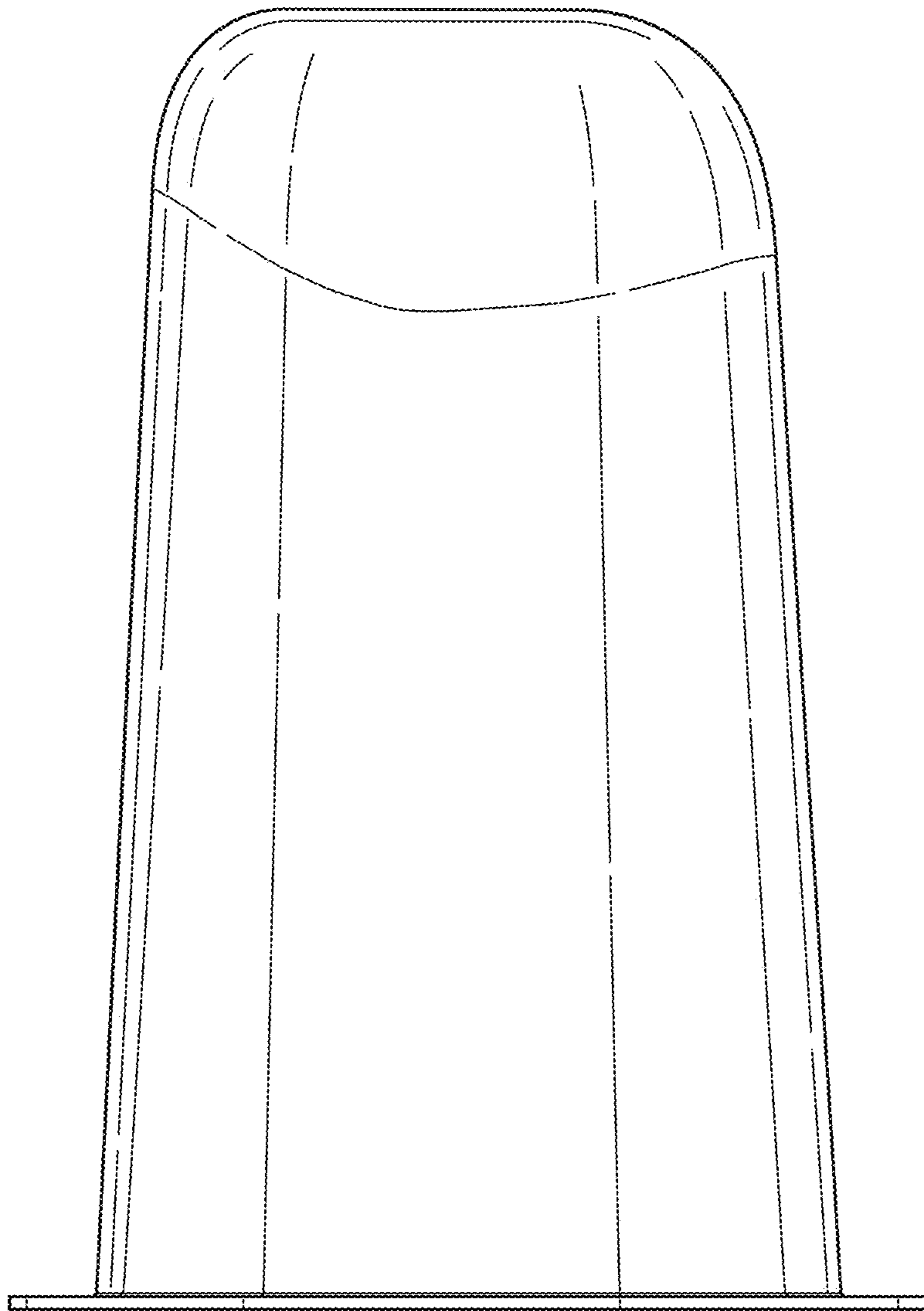


FIG. 7

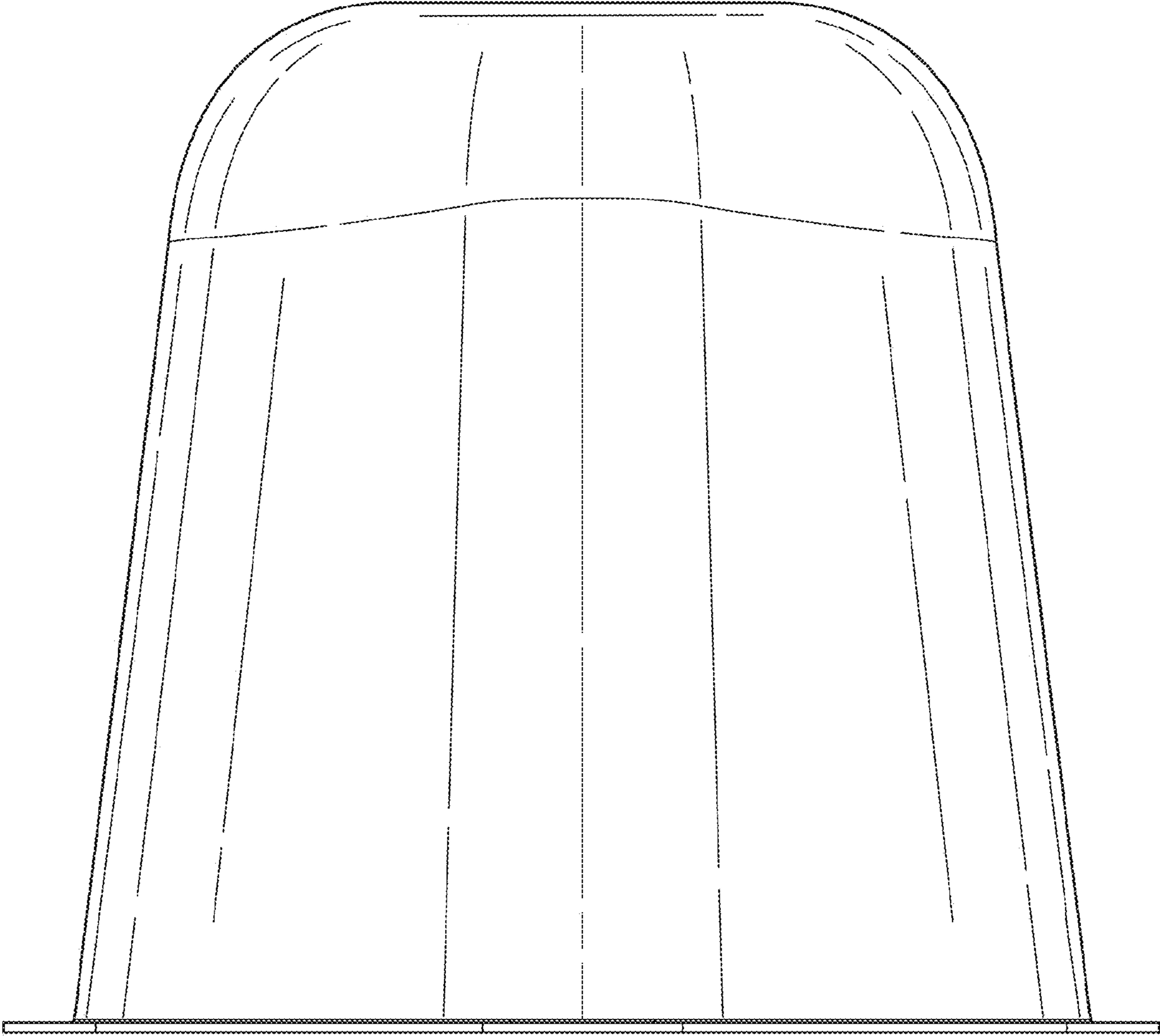


FIG. 8