



US00D939338S

(12) **United States Design Patent** (10) **Patent No.:** **US D939,338 S**  
**Kovacs et al.** (45) **Date of Patent:** **\*\* Dec. 28, 2021**

(54) **SNOW FENCE FOR MEMBRANE PAD**

(71) Applicant: **PMC Industries, Inc.**, Plainville, CT (US)

(72) Inventors: **Tamas Kovacs**, Burlington, CT (US);  
**Robert Mercier**, Newington, CT (US)

(73) Assignee: **PMC Industries, Inc.**, Plainville, CT (US)

(\*\*) Term: **15 Years**

(21) Appl. No.: **29/698,553**

(22) Filed: **Jul. 17, 2019**

(51) **LOC (13) Cl.** ..... **08-99**

(52) **U.S. Cl.**  
USPC ..... **D8/499**

(58) **Field of Classification Search**  
USPC ..... D8/380, 499, 354; D25/119–121,  
D25/123–125, 131–137, 164, 199,  
D25/113–118; D12/223, 400  
CPC ..... E04H 2004/146; E04H 2004/147; E06B  
1/32; E06B 1/34; E06B 1/524; E06B  
2003/7049; E04B 2005/176; E04B  
2005/324; E04D 13/0641; E04D 13/064;  
E04D 13/0725  
See application file for complete search history.

(56) **References Cited**

U.S. PATENT DOCUMENTS

D311,588 S *	10/1990	Nagano	.....	D25/119
D360,476 S *	7/1995	Smeja	.....	D25/199
D377,899 S *	2/1997	Riley	.....	D25/123
D488,243 S *	4/2004	Babka	.....	D25/119
D497,010 S *	10/2004	Brabeck	.....	D25/119
D497,434 S *	10/2004	Brabeck	.....	D25/119
6,902,152 B1 *	6/2005	Clifford	.....	E04H 17/1413 256/47
D594,993 S *	6/2009	Becht, IV	.....	D25/125

D694,614 S *	12/2013	Pohlman	.....	D8/380
D698,630 S *	2/2014	MacKenzie	.....	D8/380
D735,023 S *	7/2015	Baldwin	.....	D8/380
D758,834 S *	6/2016	Tally	.....	D8/380
D776,301 S *	1/2017	Lamberts	.....	D25/125

(Continued)

OTHER PUBLICATIONS

PMC AceClamp News and Events, Date Visited: Feb. 9, 2021,  
www.aceclamp.com, Date Available: Feb. 2019, <https://www.aceclamp.com/About/News> (Year: 2019).\*

(Continued)

*Primary Examiner* — Susan Bennett Hattan

*Assistant Examiner* — Elizabeth S Ko

(74) *Attorney, Agent, or Firm* — Damian Wasserbauer,  
Esq.; Wasserbauer Law LLC

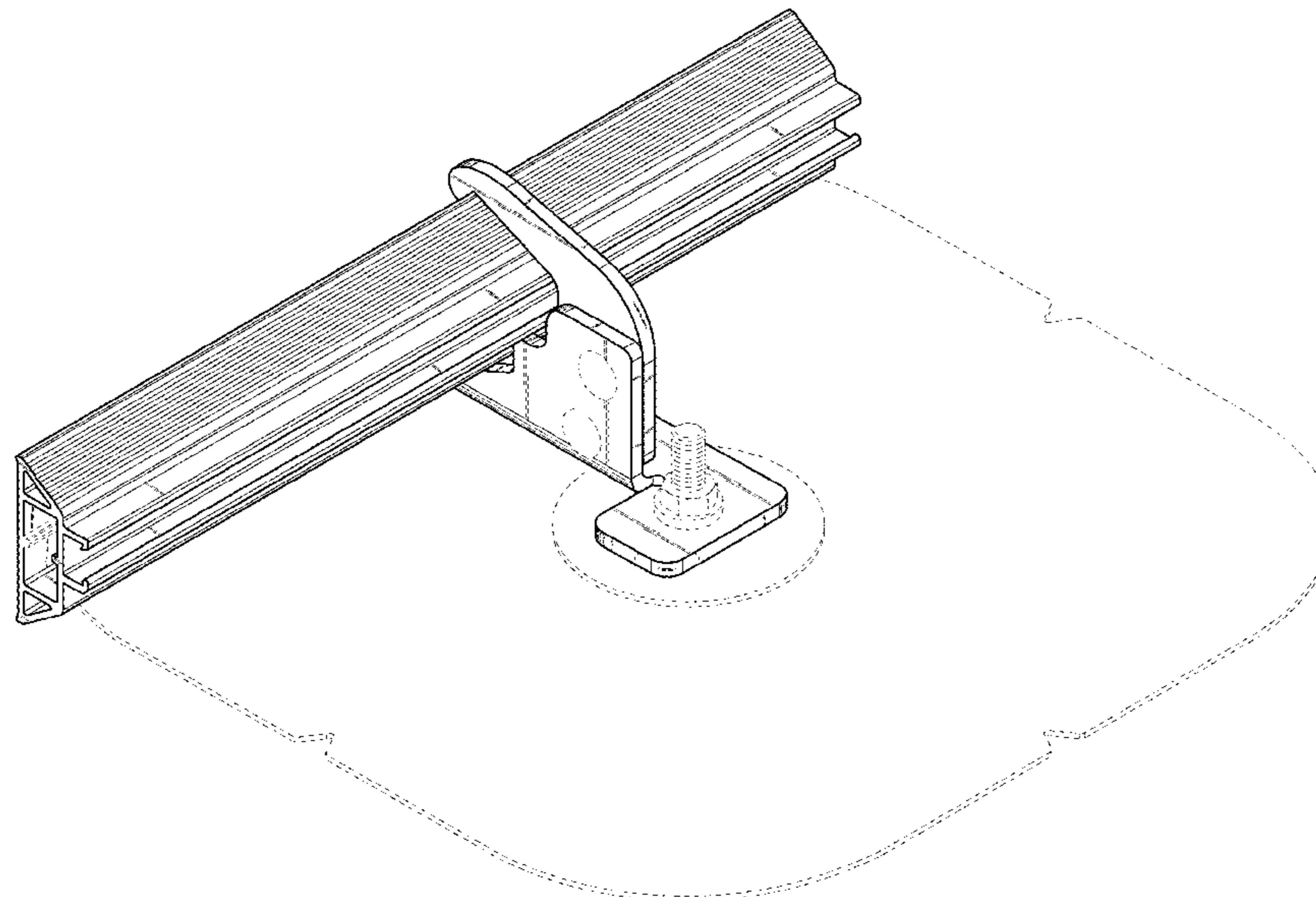
(57) **CLAIM**

The ornamental design for a snow fence for membrane pad,  
as shown and described.

**DESCRIPTION**

FIG. 1 is a perspective of the snow fence for membrane pad  
in accordance with the present invention;  
FIG. 2 is a front view of the snow fence for membrane pad;  
FIG. 3 is a back view of the snow fence for membrane pad;  
FIG. 4 is a right side view of the snow fence for membrane  
pad;  
FIG. 5 is a left side view of the snow fence for membrane  
pad;  
FIG. 6 is a top view of snow fence for membrane pad; and,  
FIG. 7 is a bottom view of the snow fence for membrane  
pad.  
The broken lines in the disclosure of FIGS. 1-7 is understood  
to be for illustrative purposes and forms no part of the  
claimed design.

**1 Claim, 7 Drawing Sheets**



(56)

**References Cited**

## U.S. PATENT DOCUMENTS

D810,008 S \* 2/2018 Mollison ..... D13/102  
D815,759 S \* 4/2018 Hazenberg ..... D25/135  
D835,980 S \* 12/2018 Kovacs ..... D8/499  
D850,651 S \* 6/2019 Ward, Jr. .... D25/38.1  
D859,140 S \* 9/2019 Kovacs ..... D8/499  
D895,404 S \* 9/2020 Lemieux ..... D8/354  
D905,872 S \* 12/2020 Hay, III ..... D25/124  
D909,618 S \* 2/2021 Zhao ..... D25/121  
2005/0044752 A1 \* 3/2005 Thaler ..... E04D 13/10  
37/196  
2016/0123016 A1 \* 5/2016 Hudson ..... E04D 13/10  
52/24  
2016/0281365 A1 \* 9/2016 Hockman ..... E04D 13/10  
2018/0195289 A1 \* 7/2018 McIntosh ..... E04D 3/3606  
2019/0345719 A1 \* 11/2019 Header ..... H05B 3/0033  
2020/0190807 A1 \* 6/2020 Header ..... H05B 3/42

## OTHER PUBLICATIONS

Snow Guards for Membrane Roofs, Date Visited: Feb. 9, 2021,  
[www.aceclamp.com](https://www.aceclamp.com), Date Available: Feb. 9, 2021, <https://www.aceclamp.com/snow-guards-for-membrane-roofs> (Year: 2021).\*

Snow TitanM Metal Snow Guards, Date Visited: Feb. 9, 2021,  
[www.aceclamp.com](https://www.aceclamp.com), Date Available: Feb. 9, 2021, <https://www.aceclamp.com/roof-clamp-products/agentType/View/PropertyID/112/Snow-Titan-M-Metal-Snow-Guards-for-Membrane-Roofing> (Year: 2021).\*

\* cited by examiner

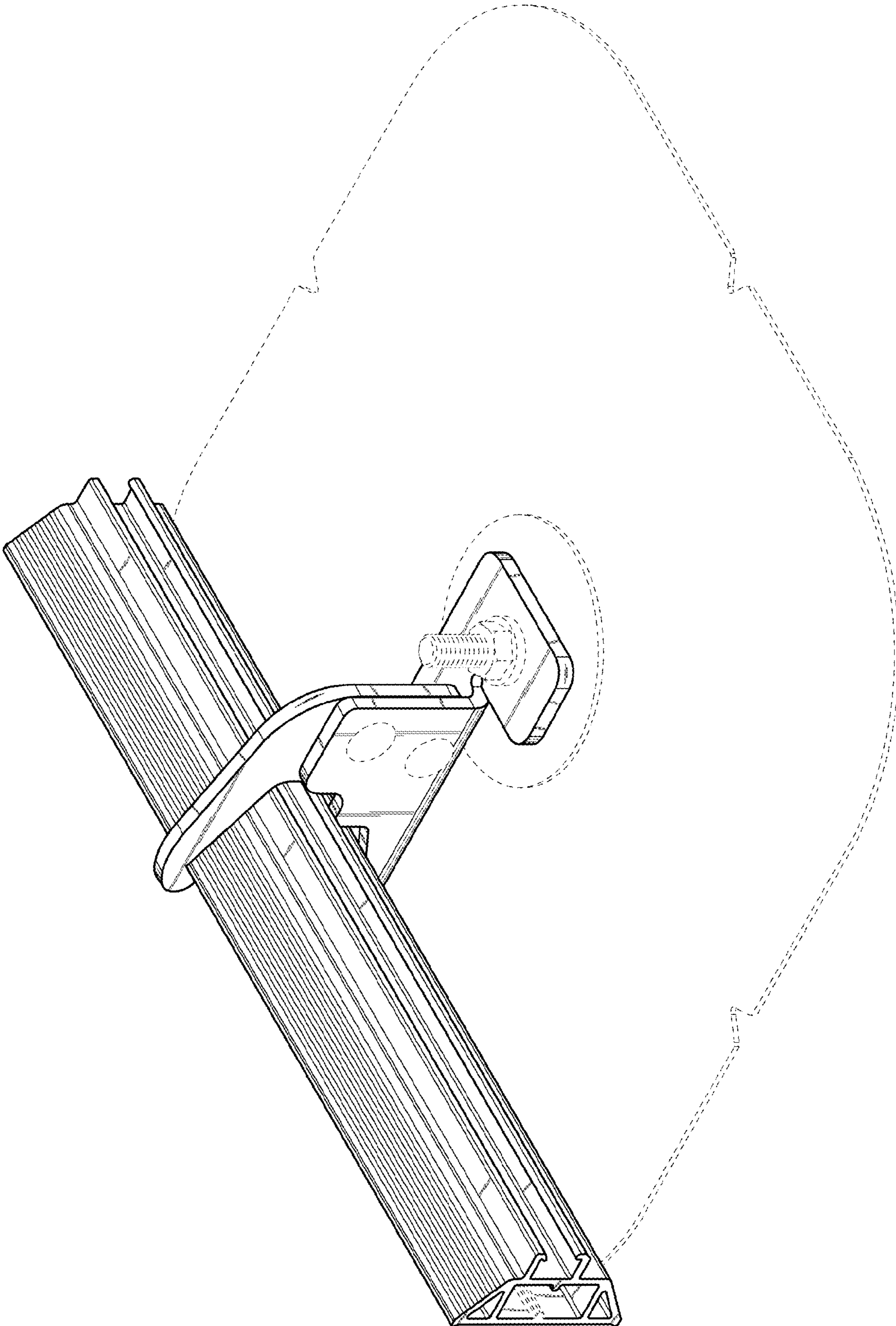


FIG. 1



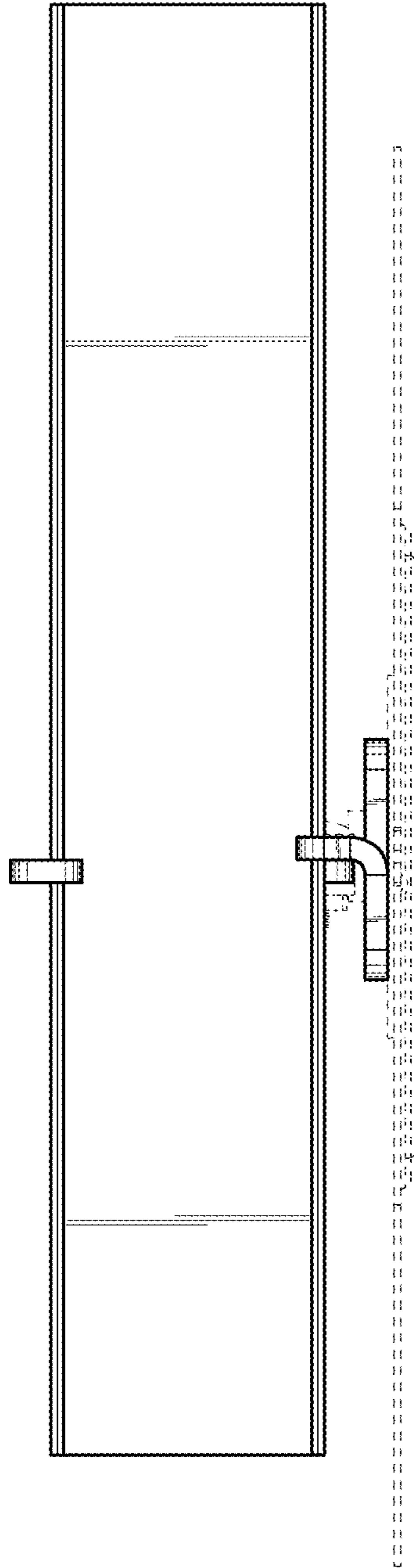


FIG. 2

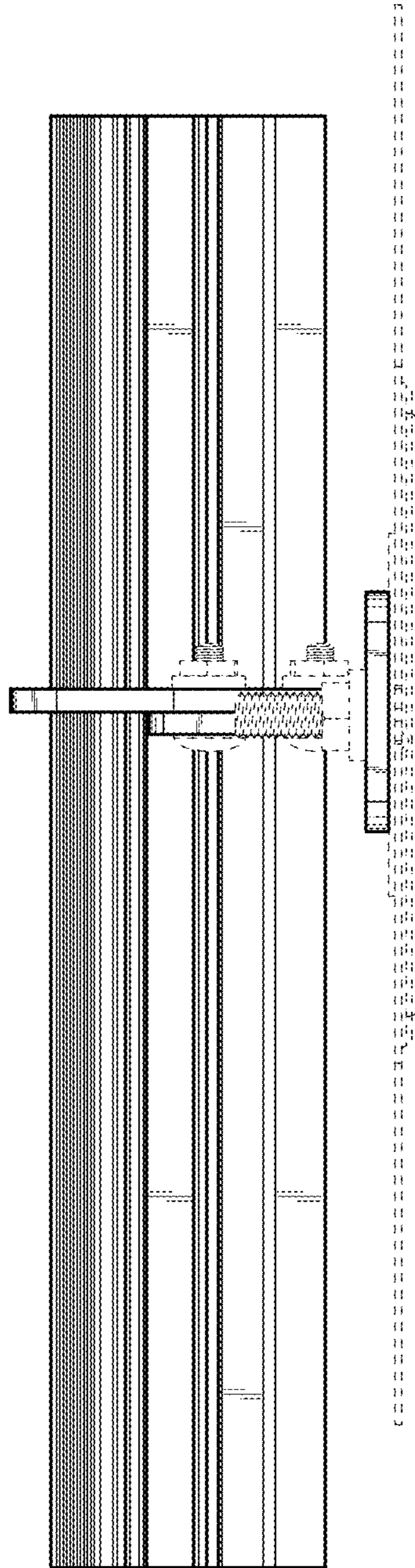


FIG. 3

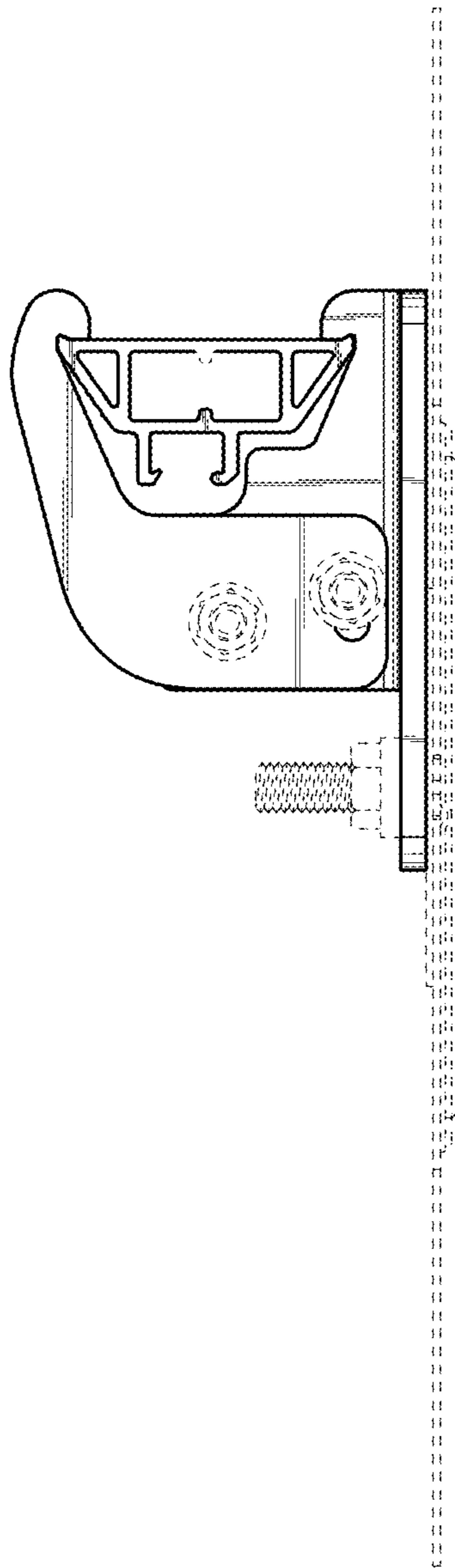


FIG. 4

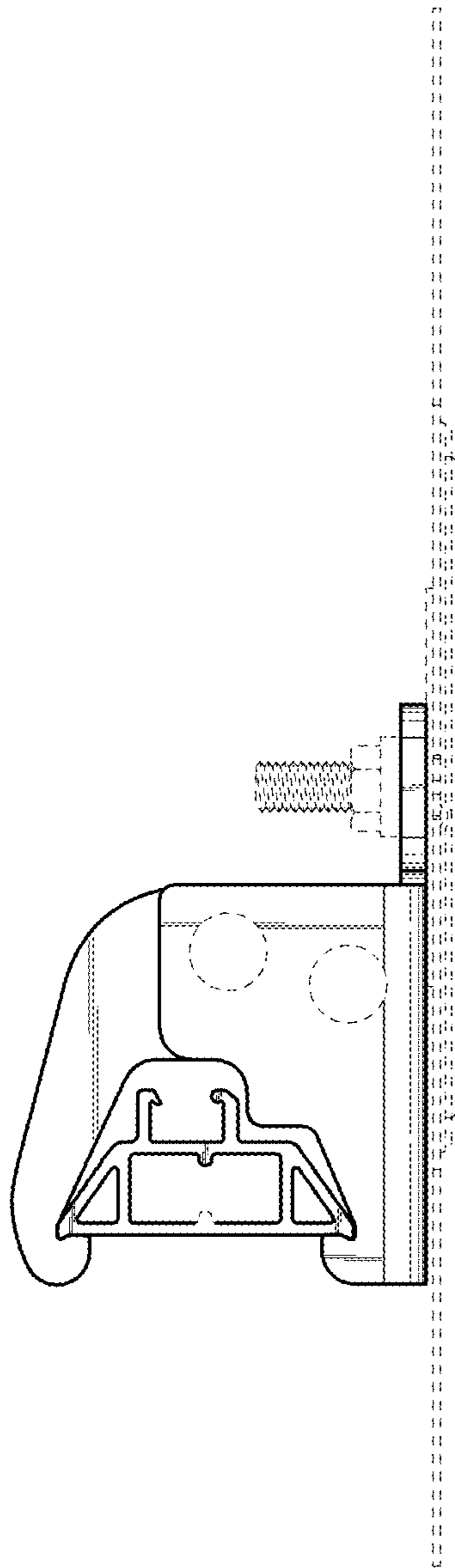


FIG. 5

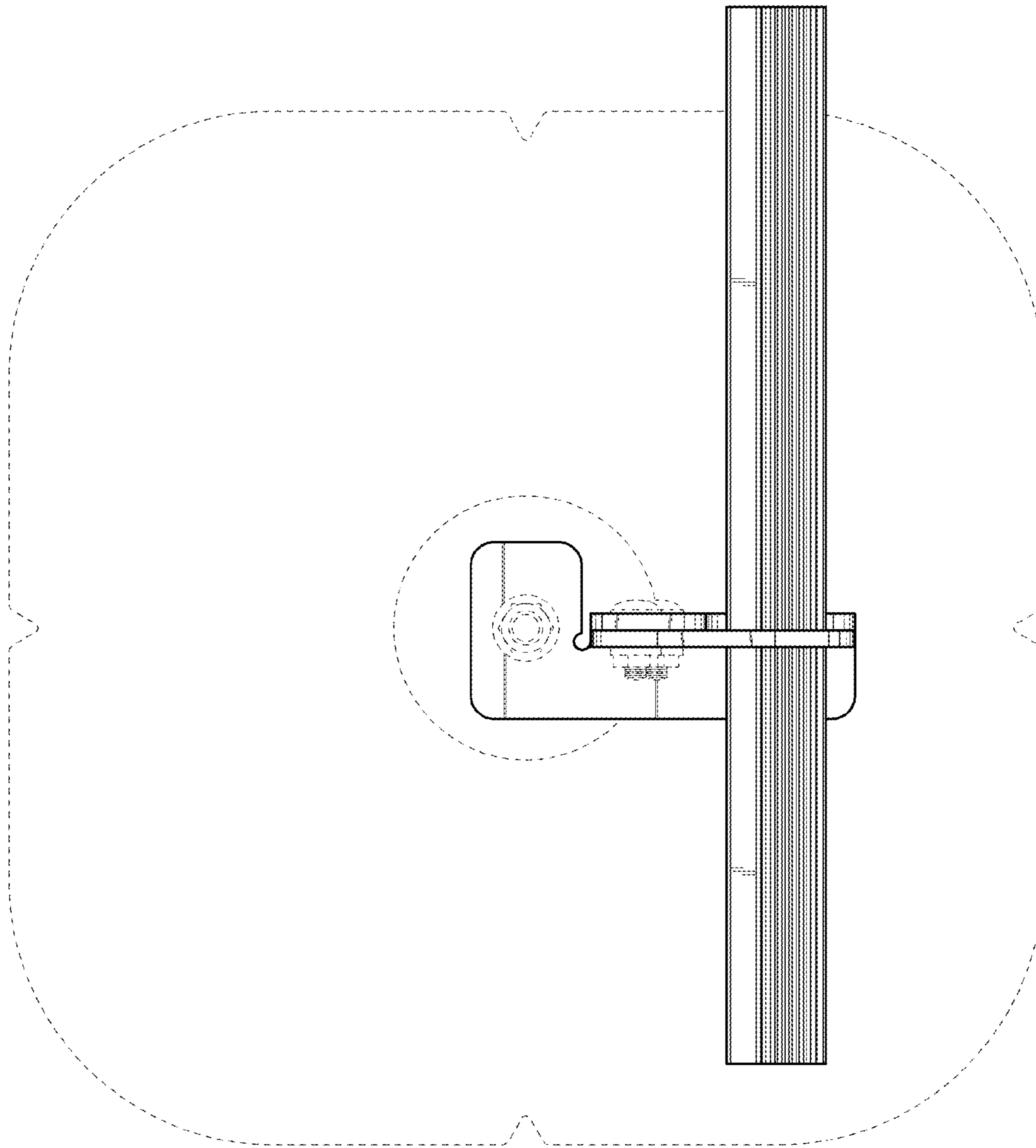


FIG. 6



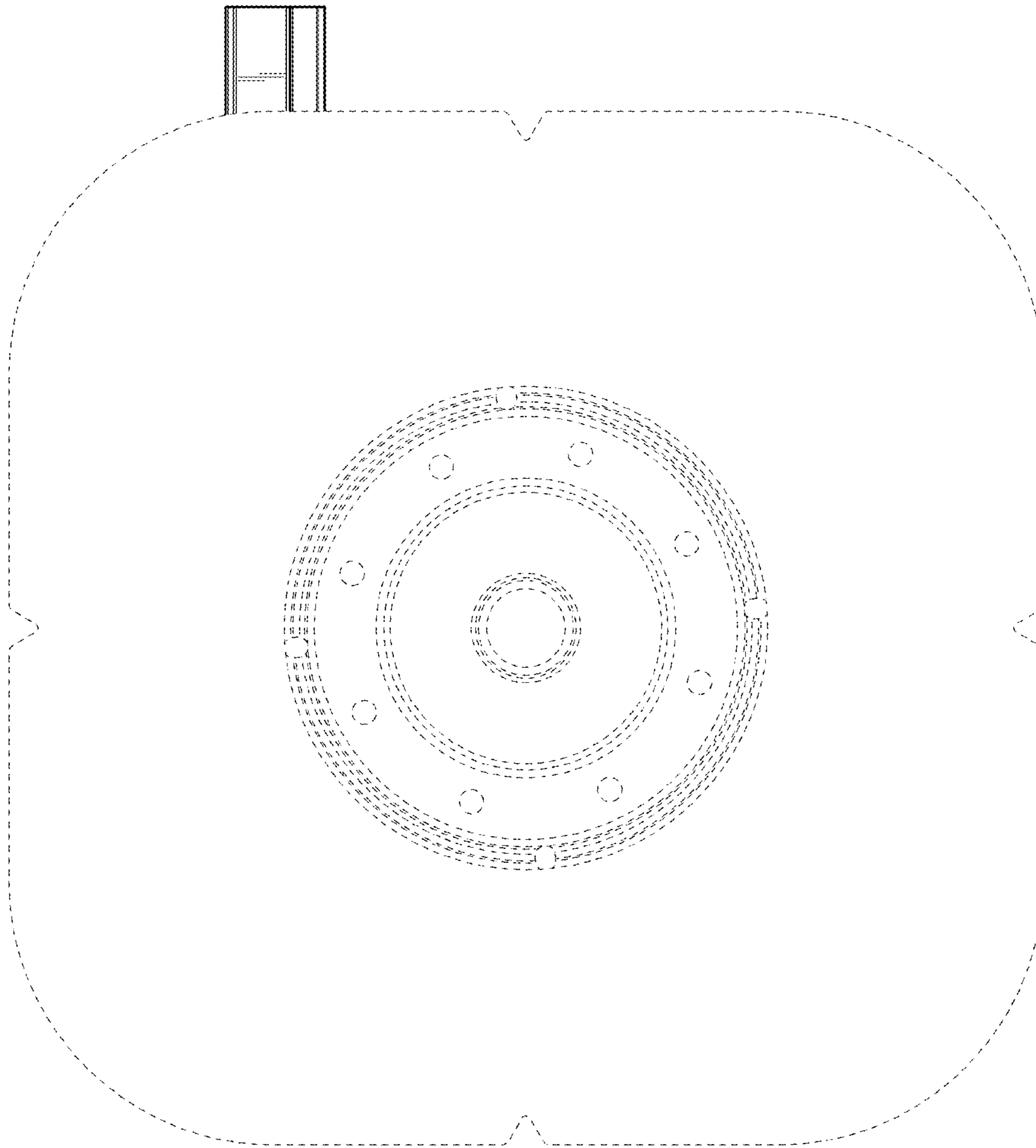


FIG. 7