

US00D939337S

(12) **United States Design Patent** (10) **Patent No.:** **US D939,337 S**
Kovacs et al. (45) **Date of Patent:** **** *Dec. 28, 2021**

(54) **SNOW FENCE FOR A STRUCTURE**

(71) Applicant: **PMC Industries, Inc.**, Plainville, CT (US)

(72) Inventors: **Tamas Kovacs**, Burlington, CT (US);
Robert Mercier, Newington, CT (US)

(73) Assignee: **PMC Industries, Inc.**, Plainville, CT (US)

(*) Notice: This patent is subject to a terminal disclaimer.

(**) Term: **15 Years**

(21) Appl. No.: **29/698,527**

(22) Filed: **Jul. 17, 2019**

(51) **LOC (13) Cl.** **08-99**

(52) **U.S. Cl.**
USPC **D8/499**

(58) **Field of Classification Search**
USPC D8/380, 499, 354; D25/119-121,
D25/123-125, 131-137, 164, 199,
D25/113-118; D12/223, 400
CPC E04H 2004/146; E04H 2004/147; E06B
1/32; E06B 1/34; E06B 1/524; E06B
2003/7049; E04B 2005/176; E04B
2005/324; E04D 13/0641; E04D 13/064;
E04D 13/0725

See application file for complete search history.

(56) **References Cited**

U.S. PATENT DOCUMENTS

D311,588 S *	10/1990	Nagano	D25/119
D360,476 S *	7/1995	Smeja	D25/199
D377,899 S *	2/1997	Riley	D25/123
D488,243 S *	4/2004	Babka	D25/119
D497,010 S *	10/2004	Brabeck	D25/119
D497,434 S *	10/2004	Brabeck	D25/119
6,902,152 B1 *	6/2005	Clifford	E04H 17/1413 256/47

D594,993 S *	6/2009	Becht, IV	D25/125
D694,614 S *	12/2013	Pohlman	D8/380
D698,630 S *	2/2014	MacKenzie	D8/380
D735,023 S *	7/2015	Baldwin	D8/380
D758,834 S *	6/2016	Tally	D8/380
D776,301 S *	1/2017	Lamberts	D25/125
D810,008 S *	2/2018	Mollison	D13/102
D815,759 S *	4/2018	Hazenberg	D25/135
D835,980 S *	12/2018	Kovacs	D8/499
D850,651 S *	6/2019	Ward, Jr.	D25/38.1

(Continued)

OTHER PUBLICATIONS

PMC AceClamp News and Events, Date Visited: Feb. 9, 2021, www.aceclamp.com, Date Available: Feb. 2019, <https://www.aceclamp.com/About/News> (Year: 2019).*

(Continued)

Primary Examiner — Susan Bennett Hattan

Assistant Examiner — Elizabeth S Ko

(74) *Attorney, Agent, or Firm* — Damian Wasserbauer, Esq.; Wasserbauer Law LLC

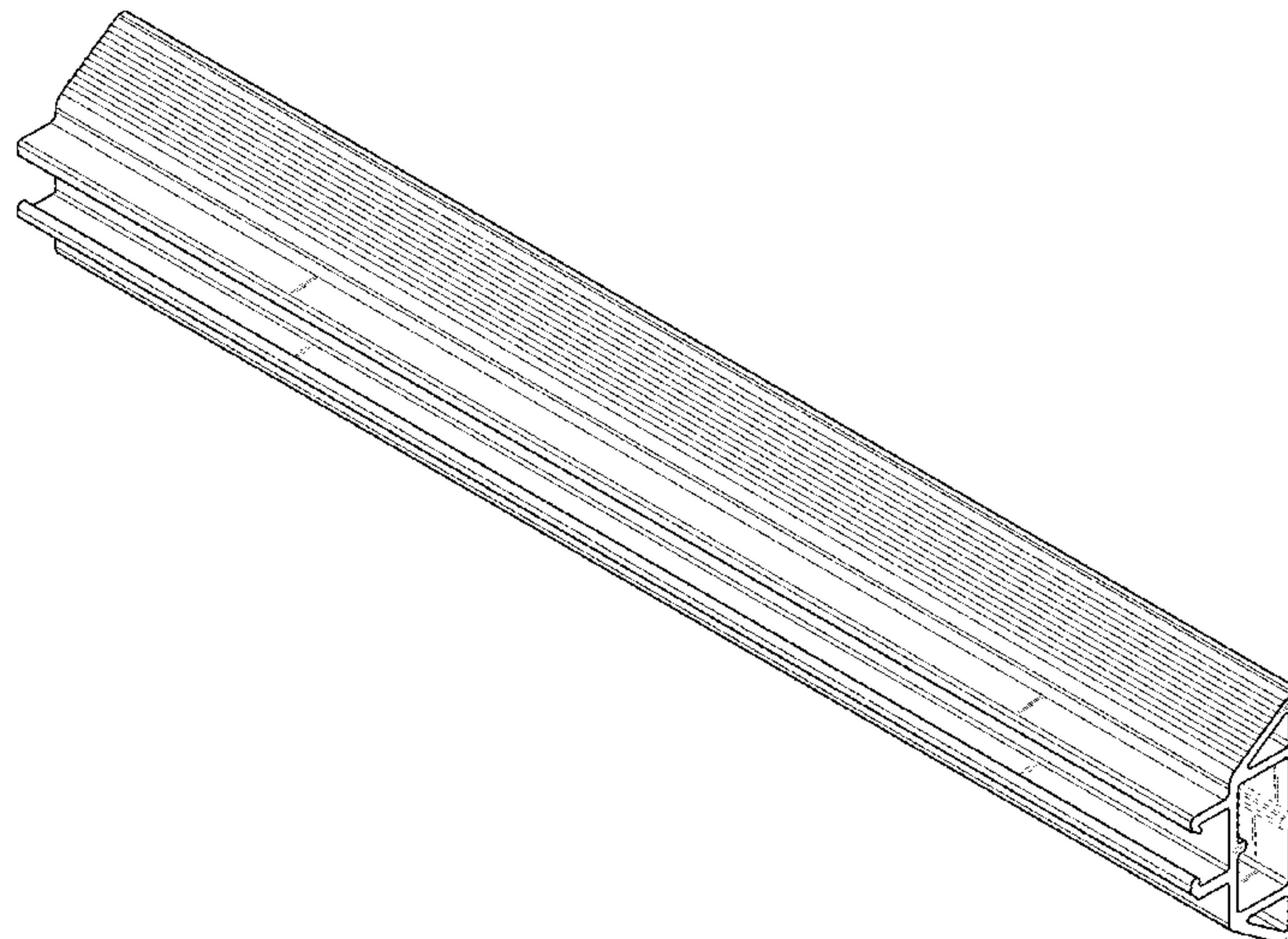
(57) **CLAIM**

The ornamental design for a snow fence for a structure, as shown and described.

DESCRIPTION

FIG. 1 is a perspective of the snow fence for a structure in accordance with the present invention;
FIG. 2 is a front view thereof;
FIG. 3 is a back view thereof;
FIG. 4 is a left side view thereof, the right side view being a mirror image thereof;
FIG. 5 is a top view thereof; and,
FIG. 6 is a bottom view thereof.
The broken lines in the disclosure of FIGS. 1-6 are understood to be for illustrative purposes and forms no part of the claimed design.

1 Claim, 6 Drawing Sheets



(56)

References Cited

U.S. PATENT DOCUMENTS

D859,140 S * 9/2019 Kovacs D8/499
D895,404 S * 9/2020 Lemieux D8/354
D905,872 S * 12/2020 Hay, III D25/124
D909,618 S * 2/2021 Zhao D25/121
2005/0044752 A1* 3/2005 Thaler E04D 13/10
37/196
2016/0123016 A1* 5/2016 Hudson E04D 13/10
52/24
2016/0281365 A1* 9/2016 Hockman E04D 13/10
2018/0195289 A1* 7/2018 McIntosh E04D 3/3606
2019/0345719 A1* 11/2019 Header H05B 3/0033
2020/0190807 A1* 6/2020 Header H05B 3/42

OTHER PUBLICATIONS

Snow Guards for Membrane Roofs, Date Visited: Feb. 9, 2021,
www.aceclamp.com, Date Available: Feb. 9, 2021, <https://www.aceclamp.com/snow-guards-for-membrane-roofs> (Year: 2021).*

Snow TitanM Metal Snow Guards, Date Visited: Feb. 9, 2021,
www.aceclamp.com, Date Available: Feb. 9, 2021, <https://www.aceclamp.com/roof-clamp-products/agentType/View/PropertyID/112/Snow-Titan-M-Metal-Snow-Guards-for-Membrane-Roofing> (Year: 2021).*

* cited by examiner

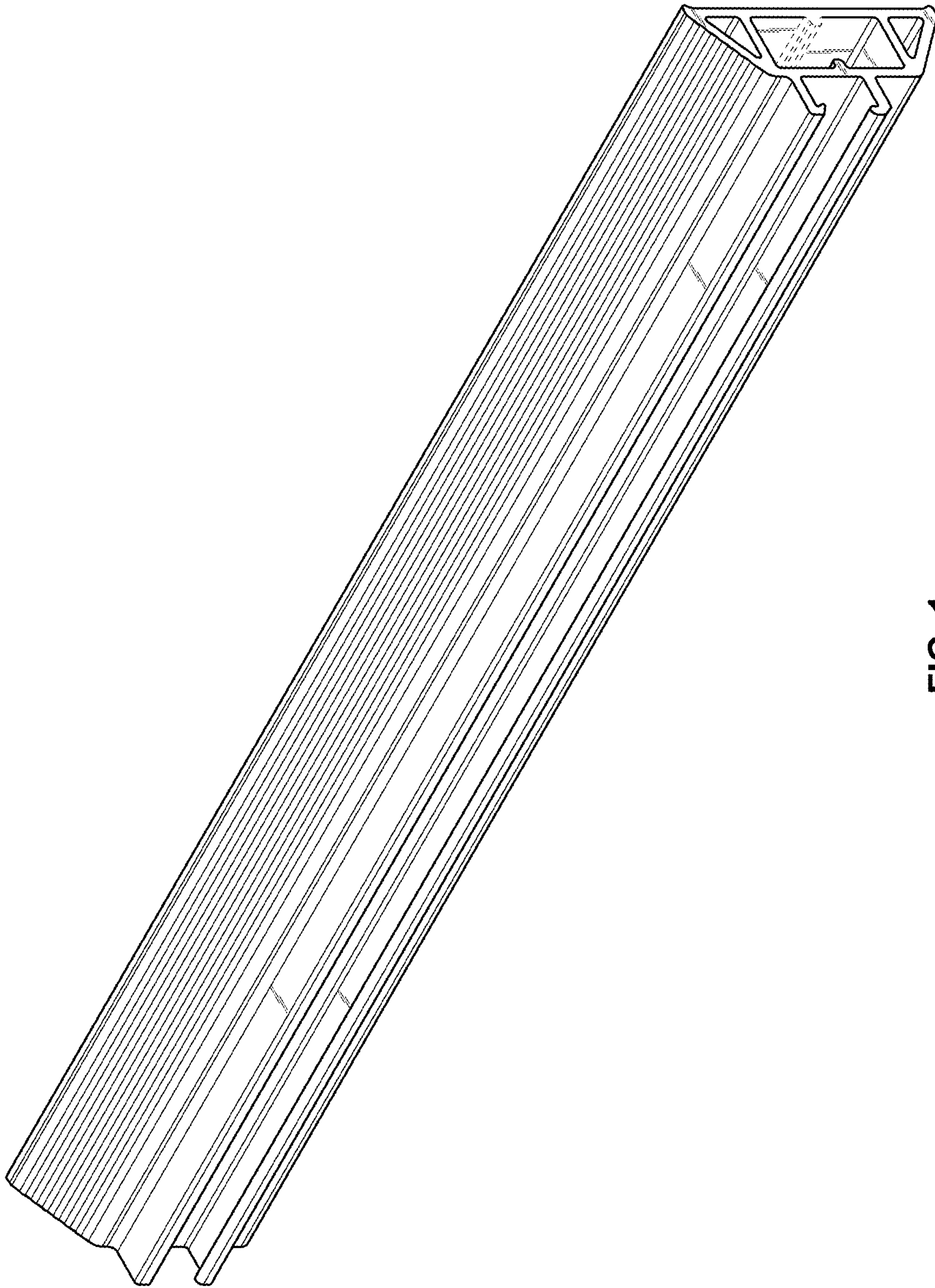


FIG. 1

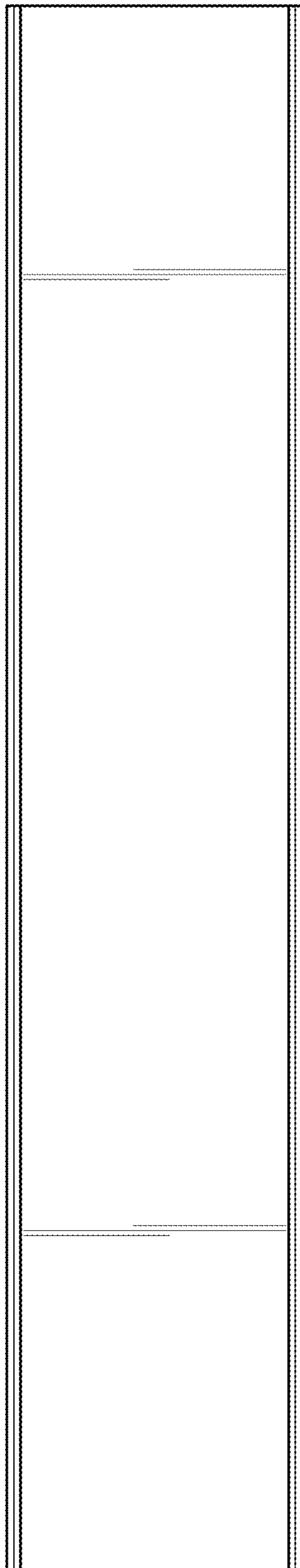


FIG. 2

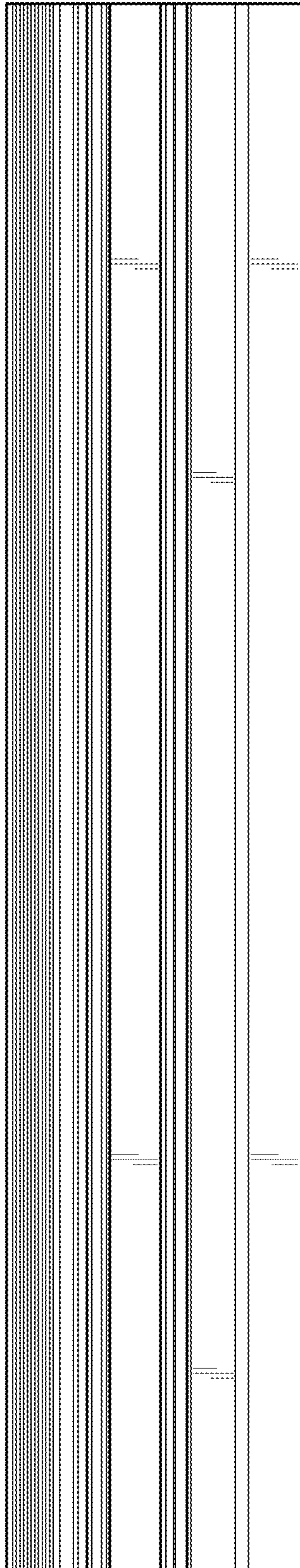


FIG. 3

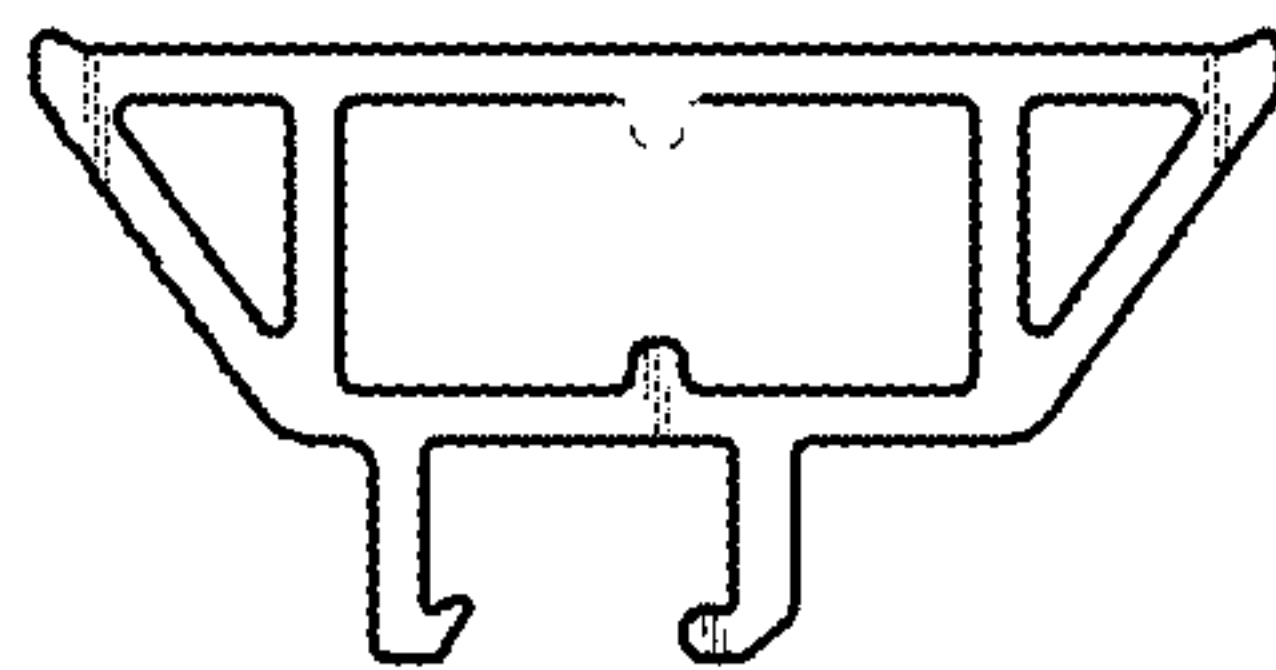


FIG. 4

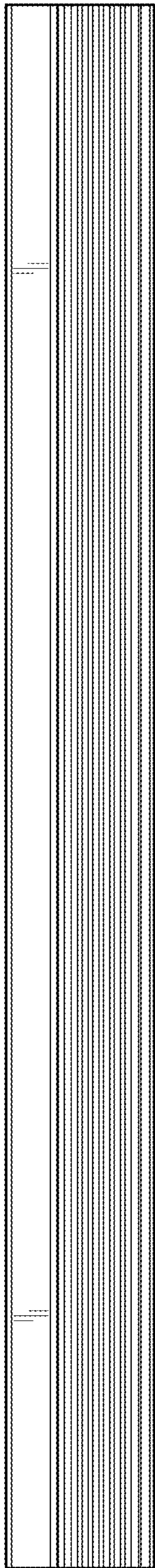


FIG. 5

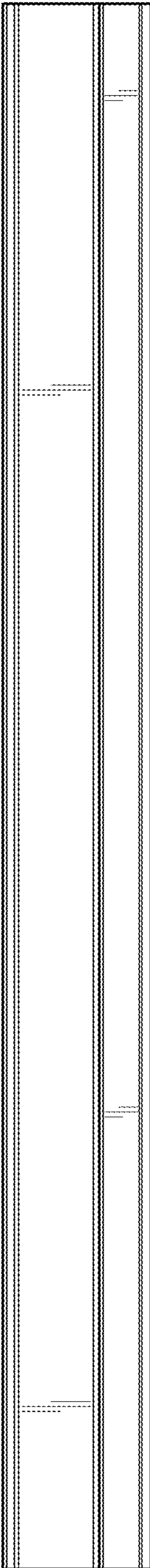


FIG. 6