



US00D939336S

(12) **United States Design Patent**
Svengalis

(10) **Patent No.:** **US D939,336 S**

(45) **Date of Patent:** **** Dec. 28, 2021**

(54) **HEXAGONAL LOCKING MECHANISM FOR
A WINDSHIELD DEICER DRAW BAR**

(71) Applicant: **SBCD Enterprises LLC**, Los Angeles,
CA (US)

(72) Inventor: **David Svengalis**, Los Angeles, CA
(US)

(73) Assignee: **SBCD Enterprises LLC**, Los Angeles,
CA (US)

(**) Term: **15 Years**

(21) Appl. No.: **29/744,158**

(22) Filed: **Jul. 27, 2020**

Related U.S. Application Data

(60) Division of application No. 29/688,847, filed on Apr.
24, 2019, now Pat. No. Des. 893,966, which is a
continuation-in-part of application No. 16/393,813,
filed on Apr. 24, 2019.

(51) **LOC (13) Cl.** **08-08**

(52) **U.S. Cl.**
USPC **D8/397**

(58) **Field of Classification Search**
USPC D8/14, 29.1, 29.2, 30, 51, 382, 330, 396,
D8/397; D12/155; D23/324, 326, 262;
D13/133

CPC .. H05B 3/84; H05B 1/0236; H05B 2203/031;
H05B 2203/014; H05B 2203/016; D06F
53/045

See application file for complete search history.

(56) **References Cited**

U.S. PATENT DOCUMENTS

D280,433 S *	9/1985	Lincir	D21/694
4,875,864 A *	10/1989	Campbell	H01R 4/643 439/100
D738,201 S *	9/2015	Fujita	D8/397
D748,016 S *	1/2016	Wang	D12/114
D766,384 S *	9/2016	Jones	D21/694
D780,861 S *	3/2017	Jones	D21/694

* cited by examiner

Primary Examiner — Philip S Hyder

(74) *Attorney, Agent, or Firm* — Fulwider Patton LLP

(57) **CLAIM**

I claim, the ornamental design for a hexagonal locking
mechanism for a windshield deicer draw bar, as shown and
described.

DESCRIPTION

FIG. 1 is a perspective view of a hexagonal locking mecha-
nism for a windshield deicer draw bar, showing my new
design;

FIG. 2 is an enlarged perspective view thereof;

FIG. 3 is a front elevation view thereof;

FIG. 4 is a rear elevation view thereof;

FIG. 5 is a left side elevation view thereof;

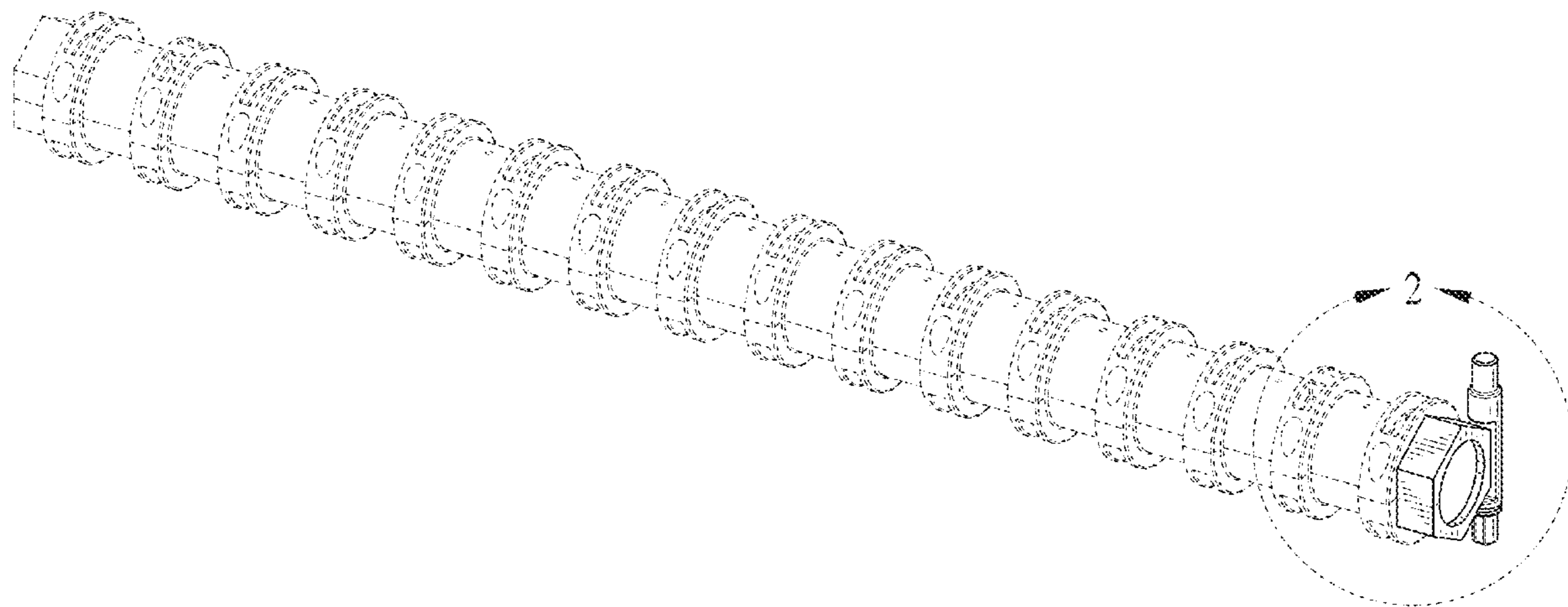
FIG. 6 is a right side elevation view thereof;

FIG. 7 is a top plan view thereof; and,

FIG. 8 is a bottom plan view thereof.

The broken line portions of the drawings are provided for
purposes of environment and form no part of the claimed
design.

1 Claim, 3 Drawing Sheets



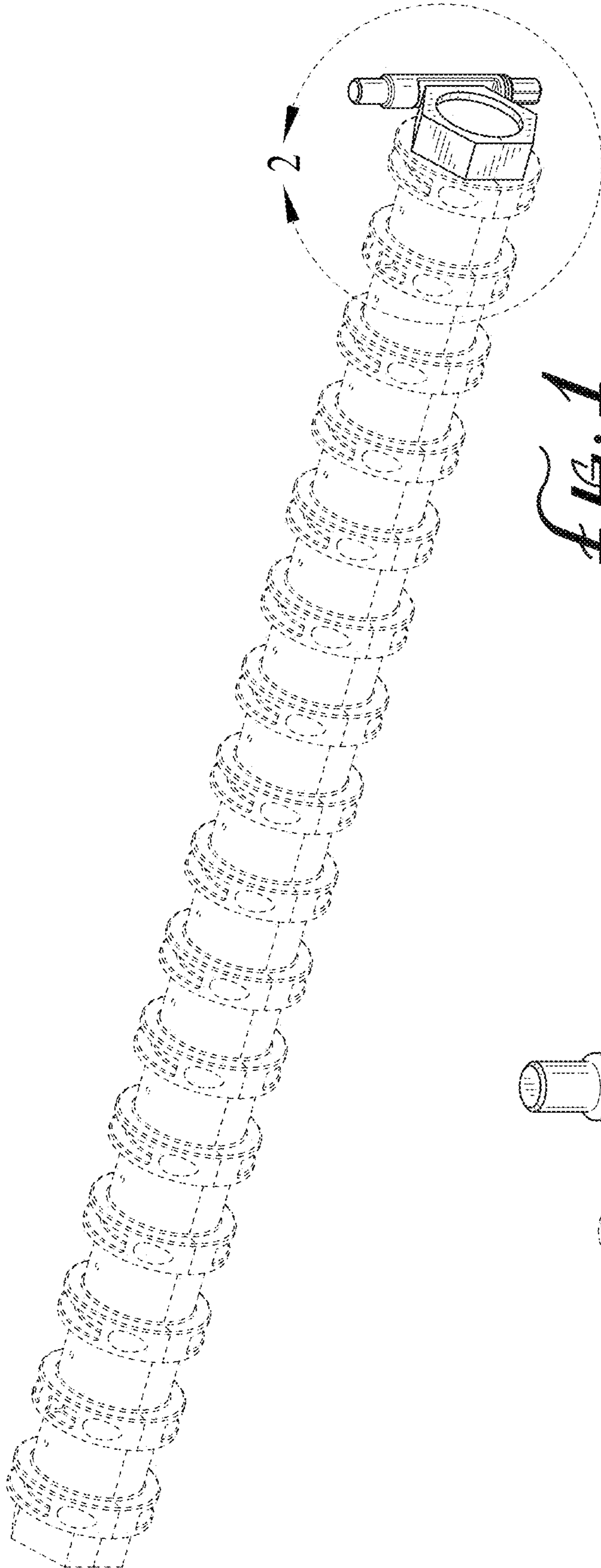


FIG. 1

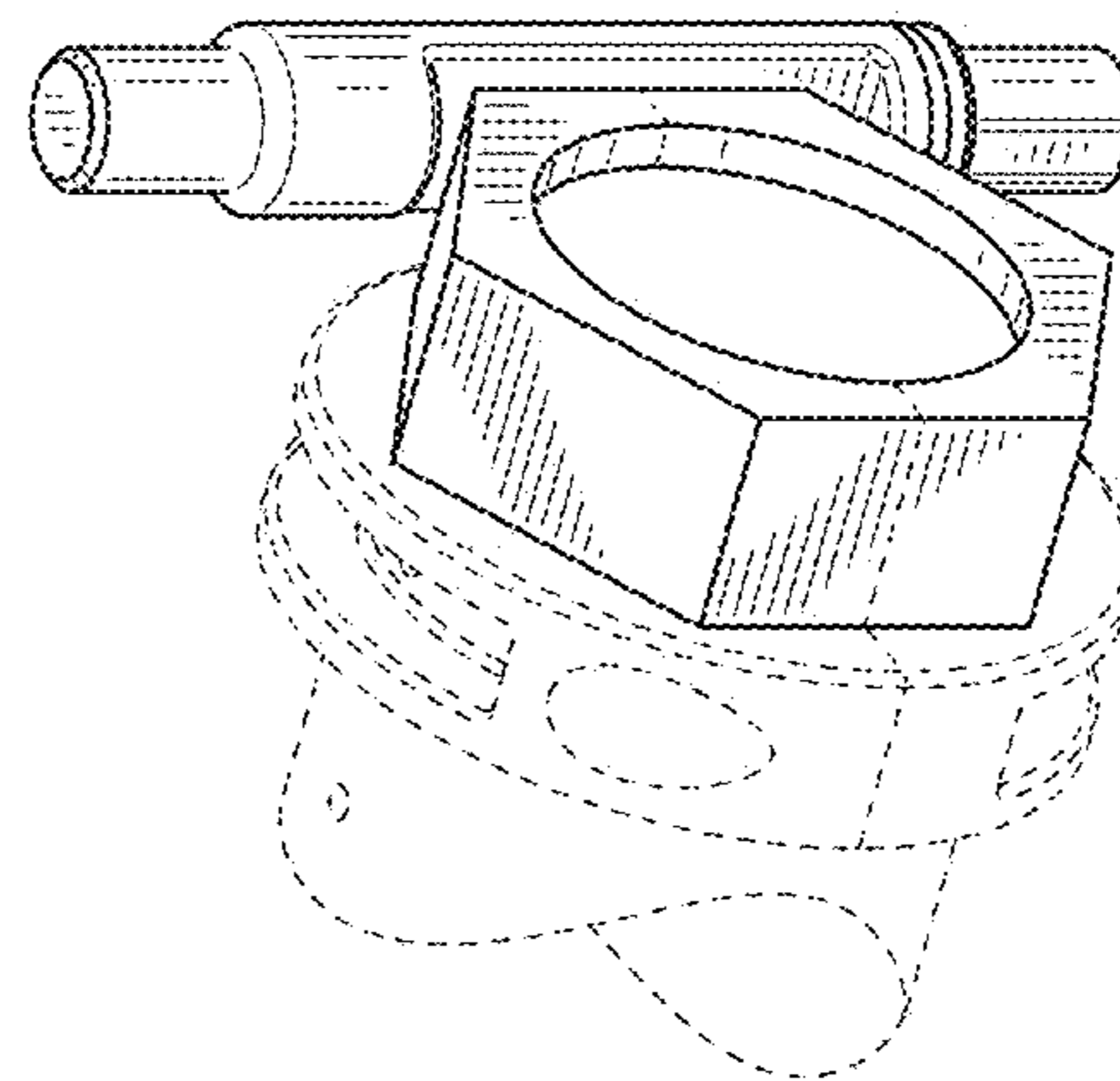


FIG. 2

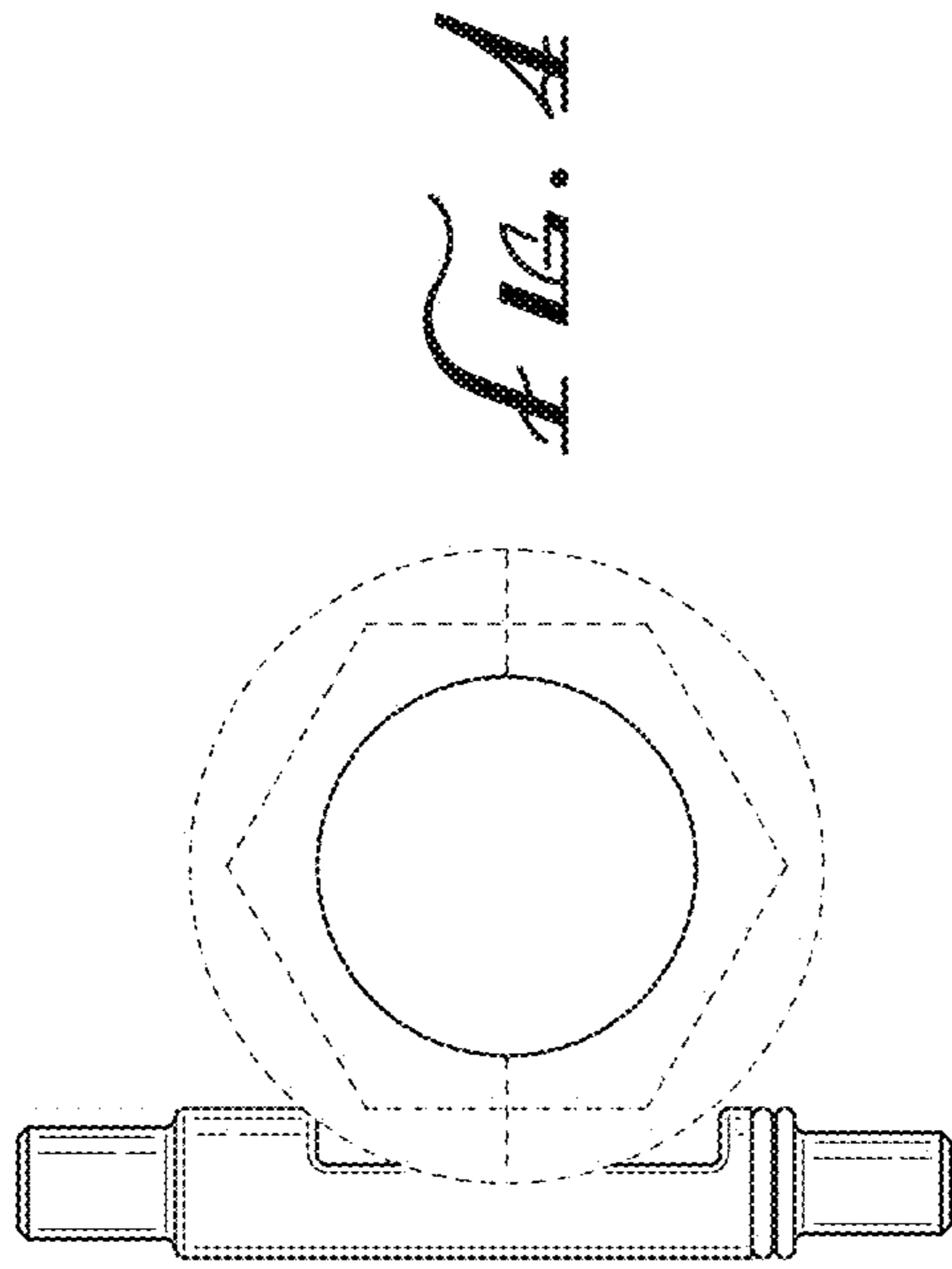


FIG. 1

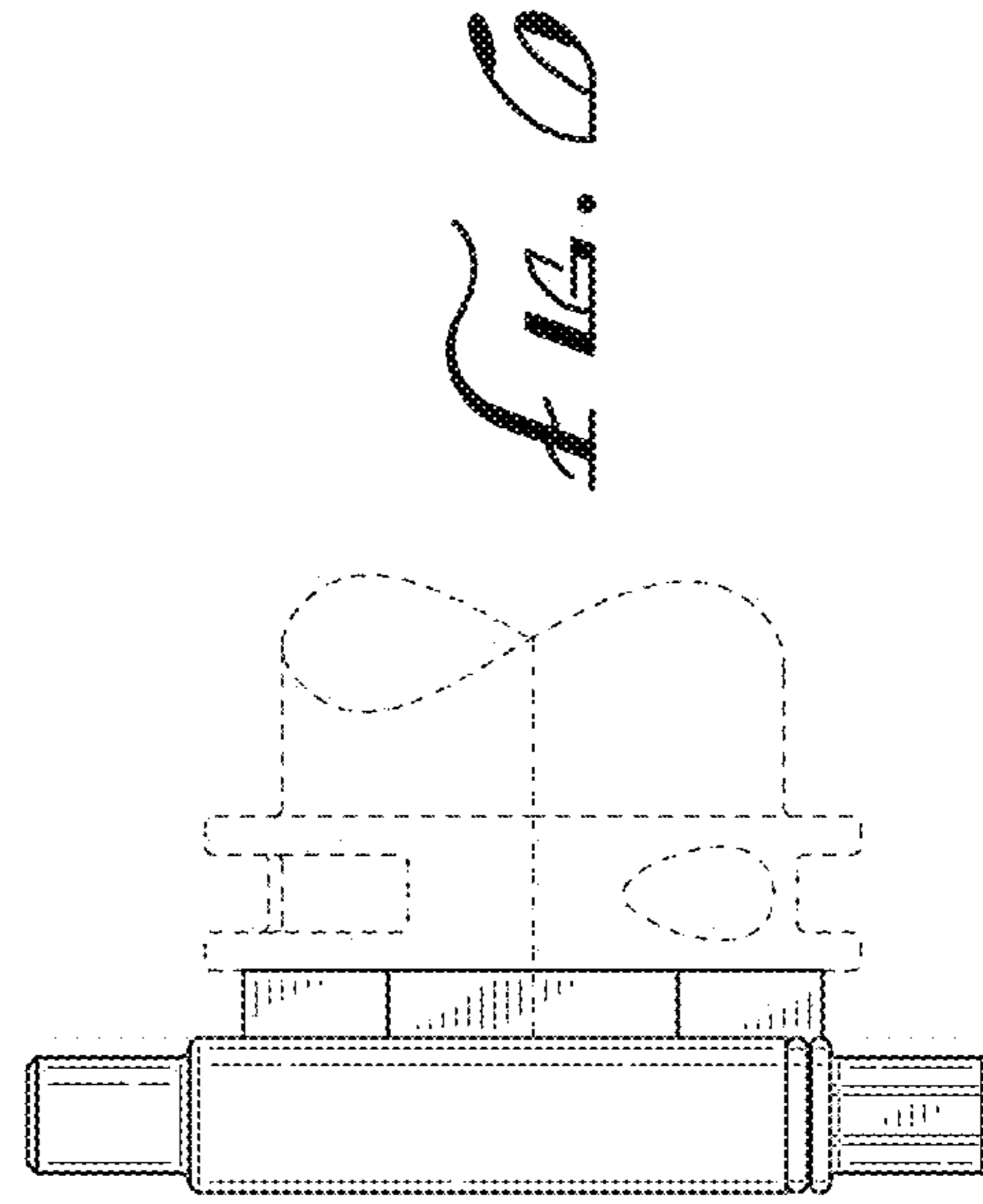


FIG. 2

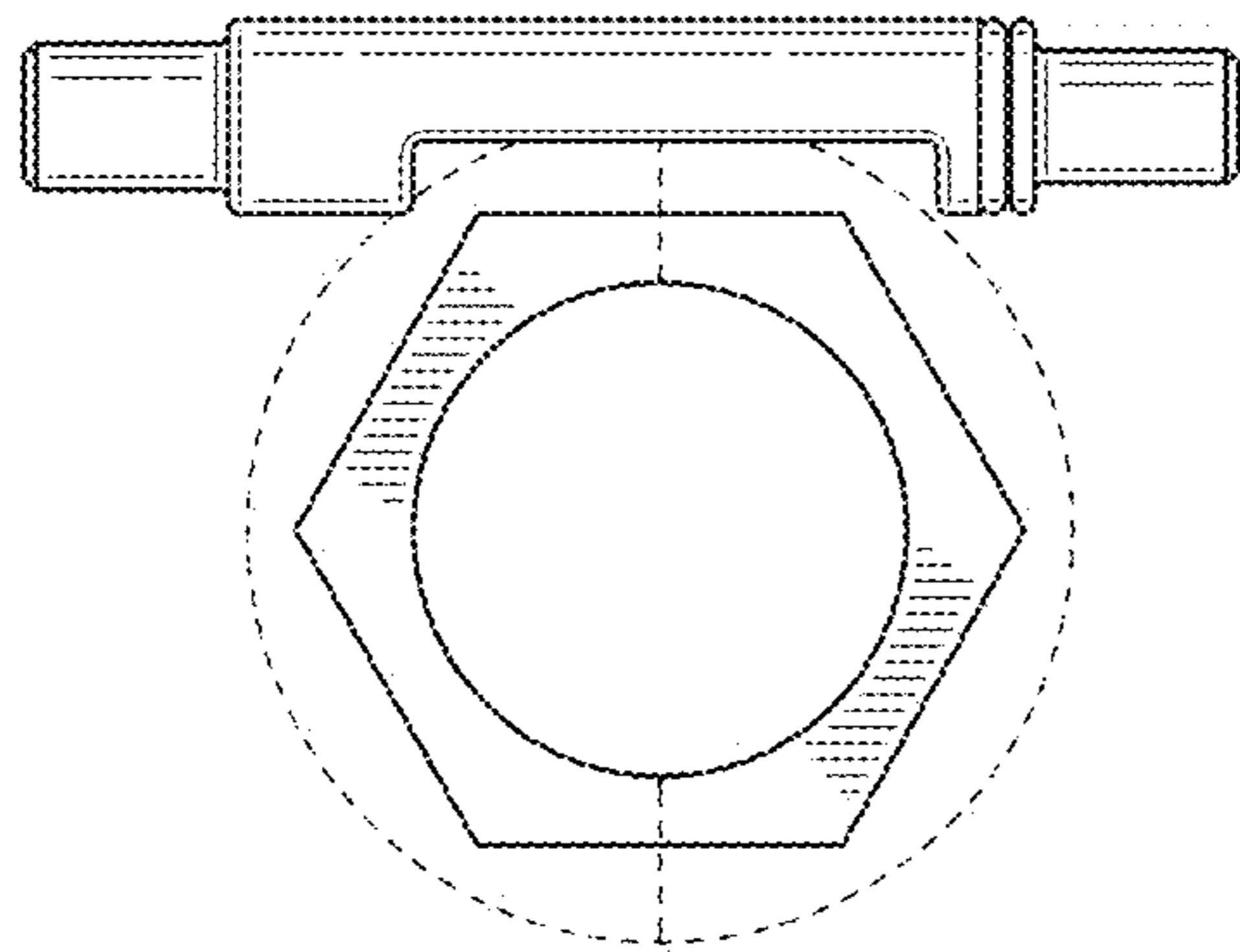


FIG. 3

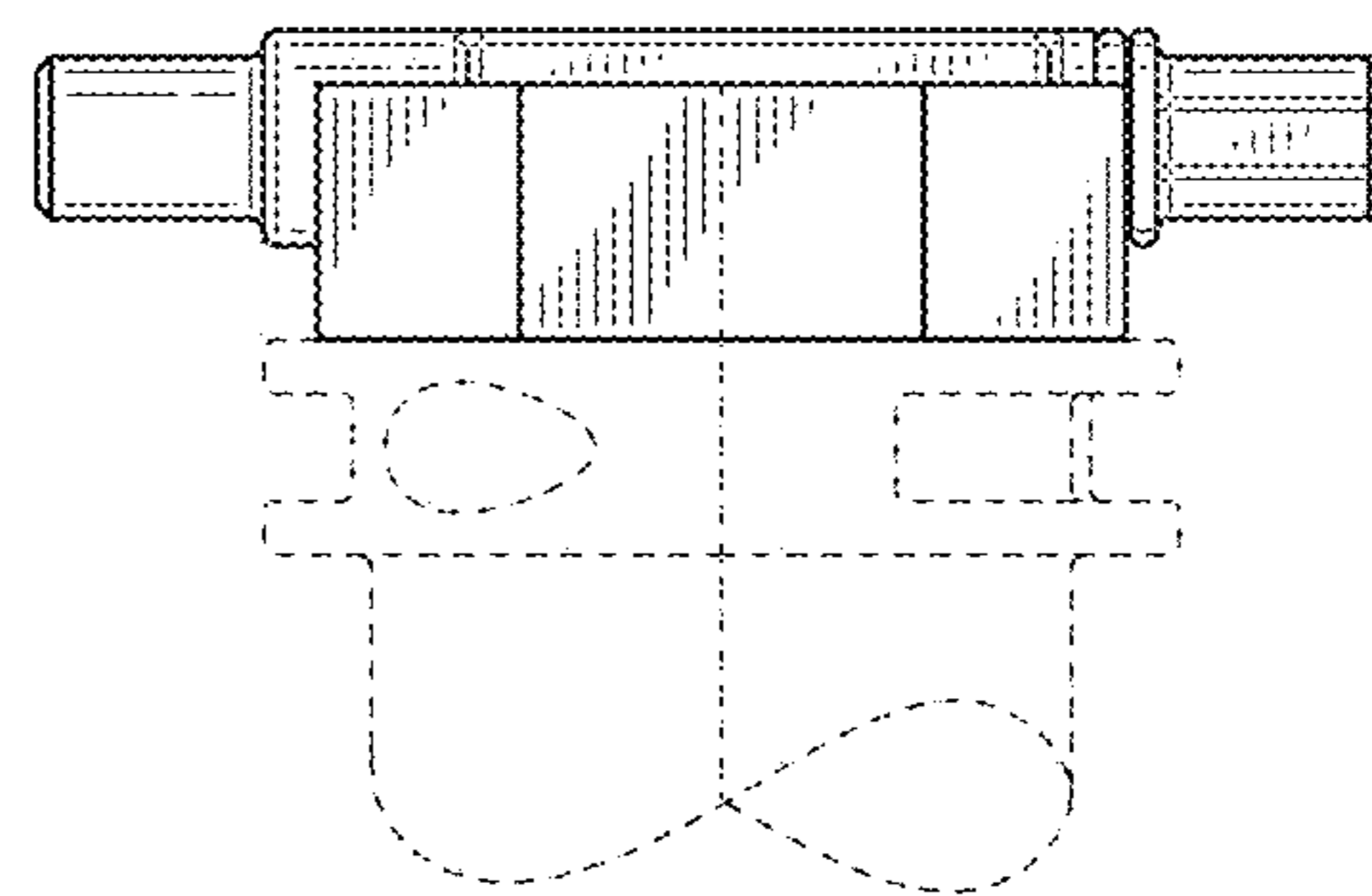


FIG. 4

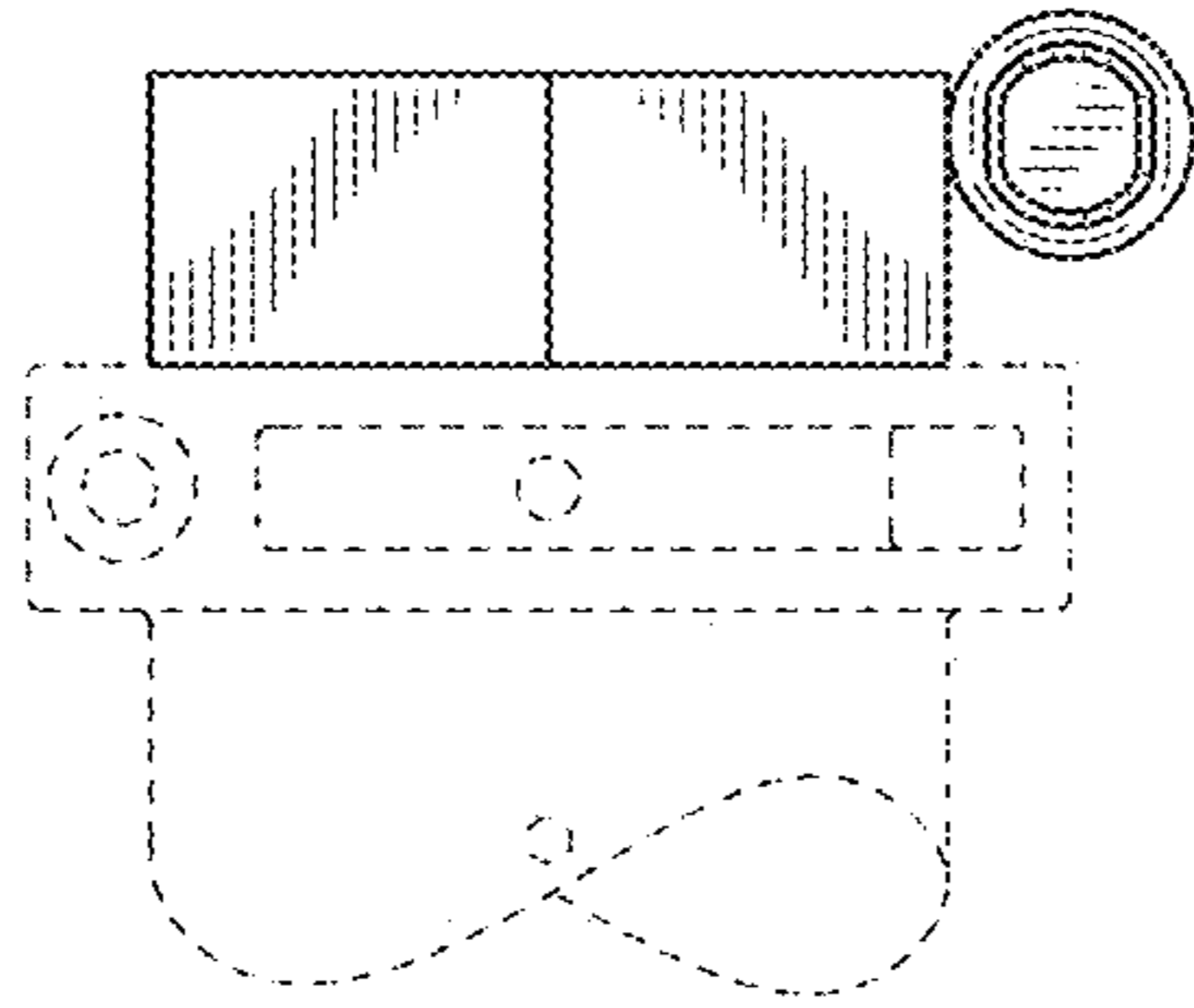


FIG. 8

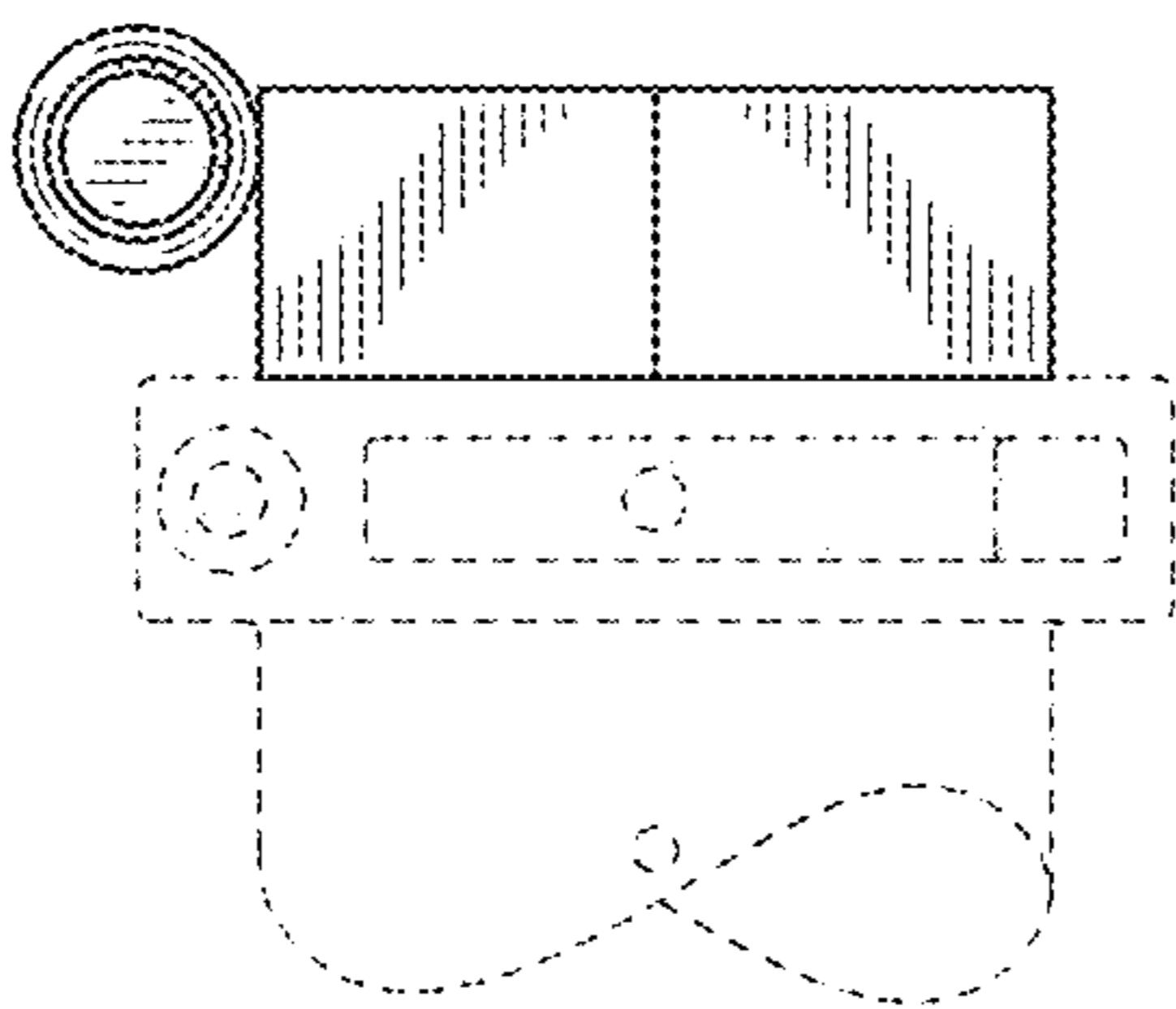


FIG. 7