



US00D939335S

(12) **United States Design Patent** (10) **Patent No.:** **US D939,335 S**
Kennedy (45) **Date of Patent:** **** Dec. 28, 2021**

(54) **CLIP WITH BULB HOLDER**
(71) Applicant: **Canny Systems, LLC**, Mansfield, TX (US)
(72) Inventor: **Stacy L. Kennedy**, Mansfield, TX (US)
(73) Assignee: **Canny Systems, LLC**, Mansfield, TX (US)
(**) Term: **15 Years**
(21) Appl. No.: **29/724,344**
(22) Filed: **Feb. 14, 2020**
(51) **LOC (13) Cl.** **08-08**
(52) **U.S. Cl.**
USPC **D8/395**
(58) **Field of Classification Search**
USPC D8/70-72, 356, 371-377, 380-381,
D8/394-398; D21/840; D26/138;
D27/183
CPC F21V 21/088; F21W 2121/00
See application file for complete search history.

D628,615 S * 12/2010 Siegel D16/242
D643,984 S * 8/2011 Crawley D32/54
D671,826 S * 12/2012 Adams, IV D8/395
D675,087 S * 1/2013 Gary D8/395
D675,509 S * 2/2013 Gary D8/395
(Continued)

OTHER PUBLICATIONS

“Brighttown All-in-One Christmas Light Clip”, Aug. 30, 2017, Amazon.com, site visited Oct. 7, 2021: <https://www.amazon.com/dp/B0757JS11G> (Year: 2017).*

(Continued)

Primary Examiner — Jack Reickel
Assistant Examiner — Michael A Kervin
(74) *Attorney, Agent, or Firm* — Nixon Peabody LLP;
Justin D. Swindells

(57) **CLAIM**

I claim the ornamental design for a clip with bulb holder, as shown and described.

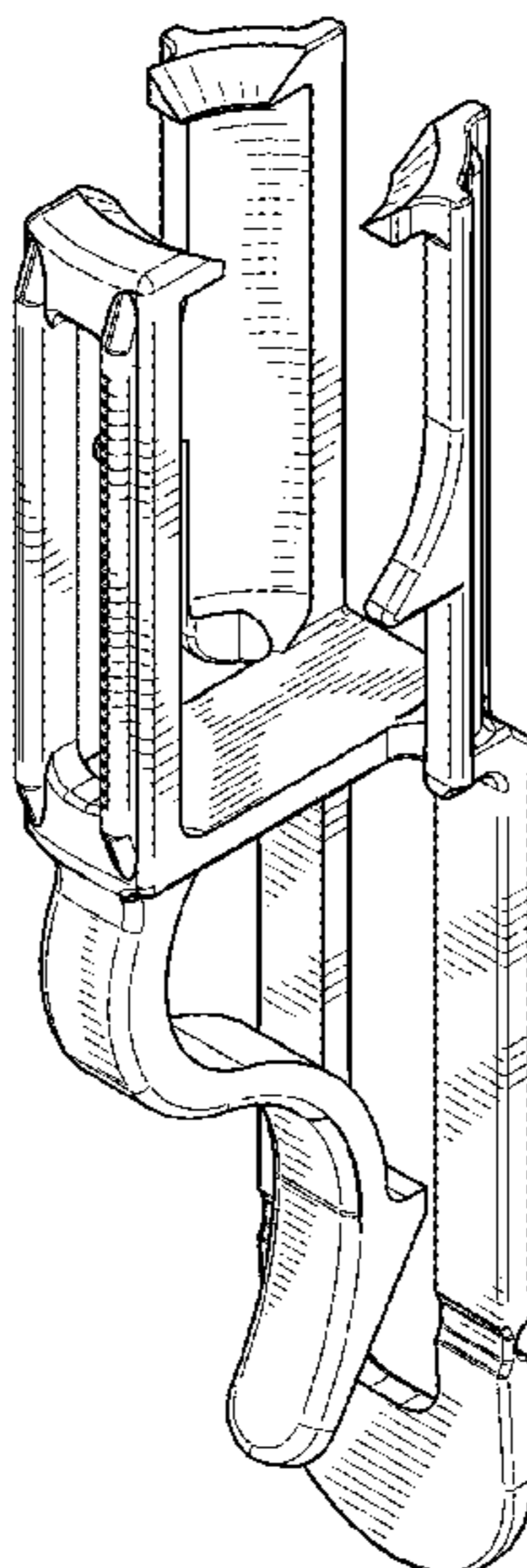
DESCRIPTION

FIG. 1 is a top perspective view of a clip with bulb holder; FIG. 2 is a bottom perspective view of the clip with bulb holder shown in FIG. 1; FIG. 3 is a front view of the clip with bulb holder shown in FIG. 1; FIG. 4 is a bottom view of the clip with bulb holder shown in FIG. 1; FIG. 5 is a side view of one side of the clip with bulb holder shown in FIG. 1; FIG. 6 is a top view of the clip with bulb holder shown in FIG. 1; FIG. 7 is a side view of the other side of the clip with bulb holder shown in FIG. 5; and, FIG. 8 is a rear view of the clip with bulb holder shown in FIG. 3.

(56) **References Cited**
U.S. PATENT DOCUMENTS

D319,575 S * 9/1991 Young D8/395
D356,246 S * 3/1995 Adams D26/138
D356,492 S * 3/1995 Adams D26/138
D365,014 S * 12/1995 Fennessy D26/138
D376,535 S * 12/1996 Gary D26/138
D414,291 S * 9/1999 Gary D26/138
D424,418 S * 5/2000 Gary D26/138
D427,510 S * 7/2000 Gary D26/138
D494,849 S * 8/2004 Jones D8/395
D510,018 S * 9/2005 Tognolini D8/395
D537,330 S * 2/2007 Cox D8/395
D538,636 S * 3/2007 Jackson D8/395
D623,048 S * 9/2010 Moy G09F 23/00
D623,458 S * 9/2010 Kollman D6/580

1 Claim, 3 Drawing Sheets



(56)

References Cited

U.S. PATENT DOCUMENTS

D675,510 S *	2/2013	Gary	D8/395
D696,105 S *	12/2013	Devilliers	D8/395
D710,677 S *	8/2014	Frandsen	D8/356
D712,731 S *	9/2014	Brown	D8/396
D737,131 S *	8/2015	Frandsen	D8/394
D756,764 S *	5/2016	Limber	D8/395
D781,694 S *	3/2017	Iwata	D8/394
D799,314 S *	10/2017	Adams, IV	D8/395
D824,246 S *	7/2018	Ming	D8/382
D856,124 S *	8/2019	Jefferson	B25B 13/481 D8/396
D856,791 S *	8/2019	Limber	D8/395
D874,914 S *	2/2020	Felt	D8/395
D909,194 S *	2/2021	Felt	D8/395
D914,271 S *	3/2021	Wang	D26/138
D925,814 S *	7/2021	Schmidt	D26/138

OTHER PUBLICATIONS

“New for 2018 Canny Systems Pro Clip”, Oct. 12, 2018, Facebook.com, site visited Oct. 7, 2021: <https://www.facebook.com/RidgeClip/videos/new-for-2018/1991510321146178> (Year: 2018).*

“Canny Systems Pro Clip”, Oct. 12, 2018, Facebook.com, site visited Oct. 7, 2021: <https://www.facebook.com/RidgeClip/photos/pcb.2094002810913258/2094002650913274/?type=3&theater> (Year: 2018).*

“Holiday Lighting Outlet Light Clip”, Nov. 22, 2018, Amazon.com, site visited Oct. 7, 2021: <https://www.amazon.com/Holiday-Lighting-Outlet-Christmas-Hangers/dp/B00F9IJ3T2> (Year: 2018).*

“All-Purpose Holiday Light Clips”, Aug. 30, 2017, Amazon.com, site visited Oct. 7, 2021: <https://www.amazon.com/SEWANTA-All-Purpose-Light-Clips-Holder/dp/B07Y2DWFHM?th=1> (Year: 2019).* Screenshot of Applicant’s “site history” webpage; retrieved from cannysystems.com, accessed Oct. 26, 2019 (1 page).

* cited by examiner

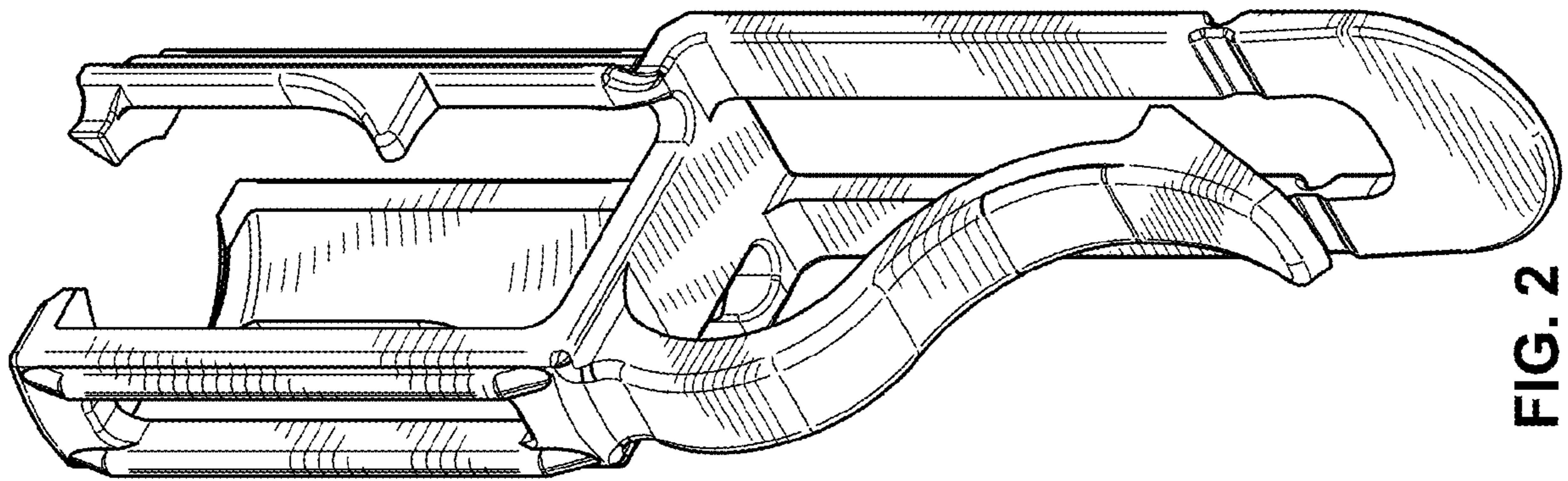


FIG. 2

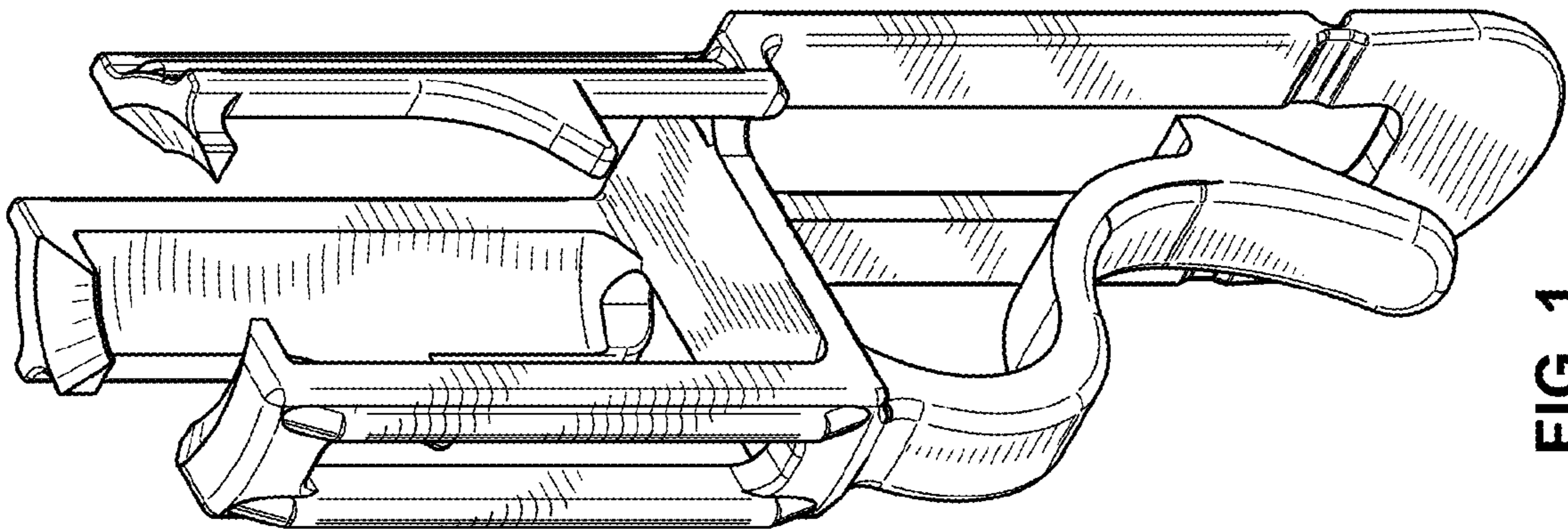


FIG. 1

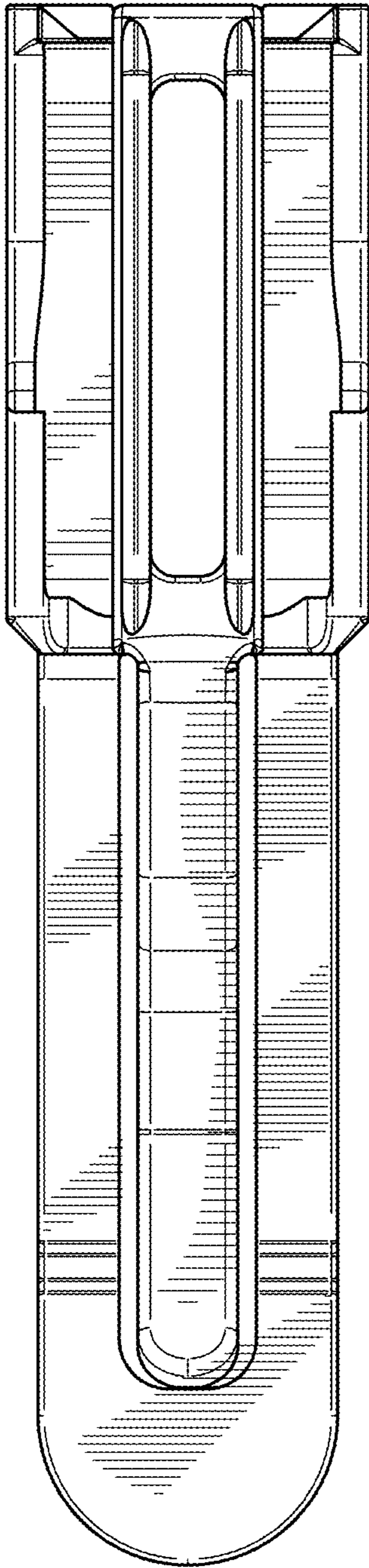


FIG. 3

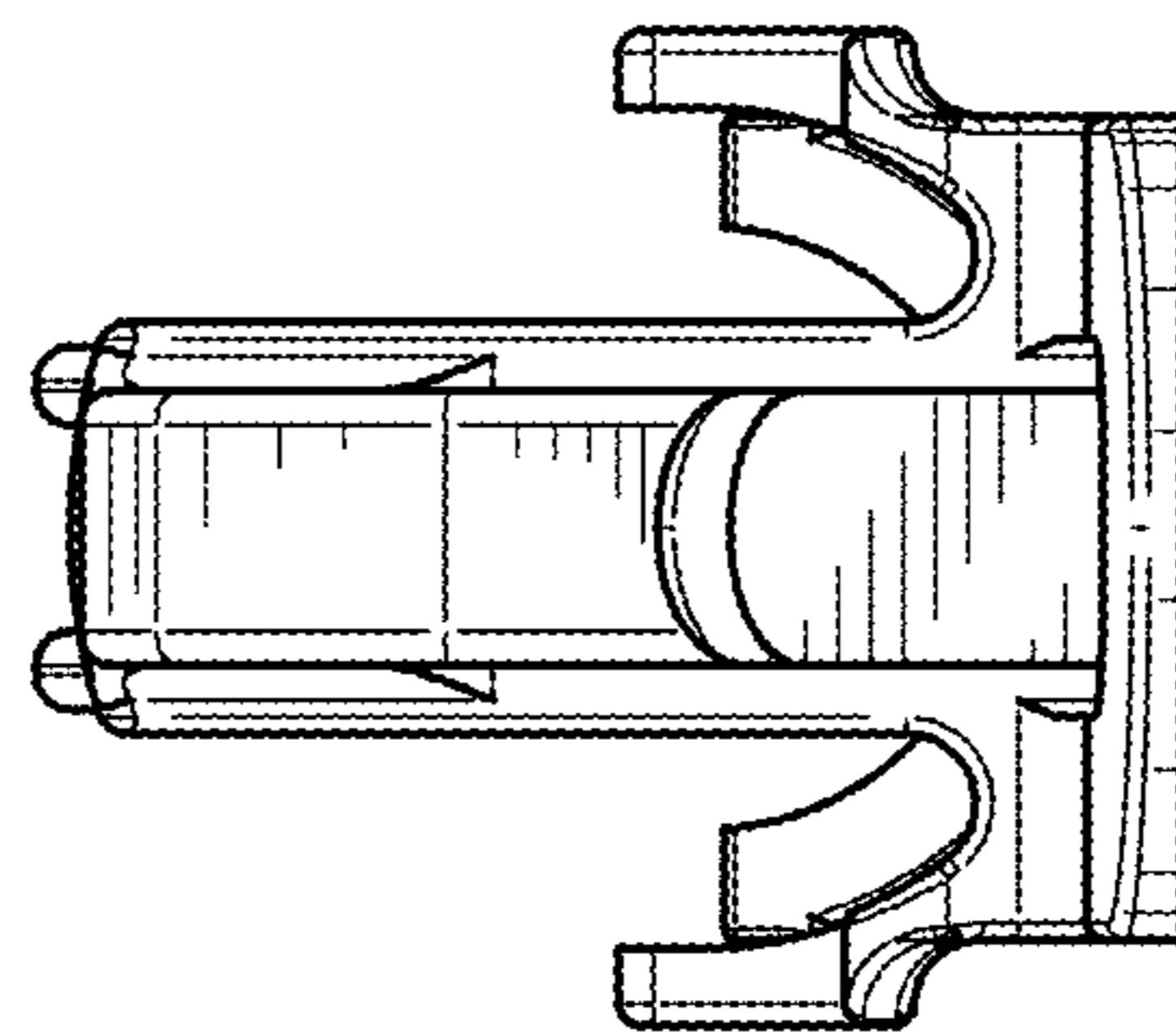


FIG. 4

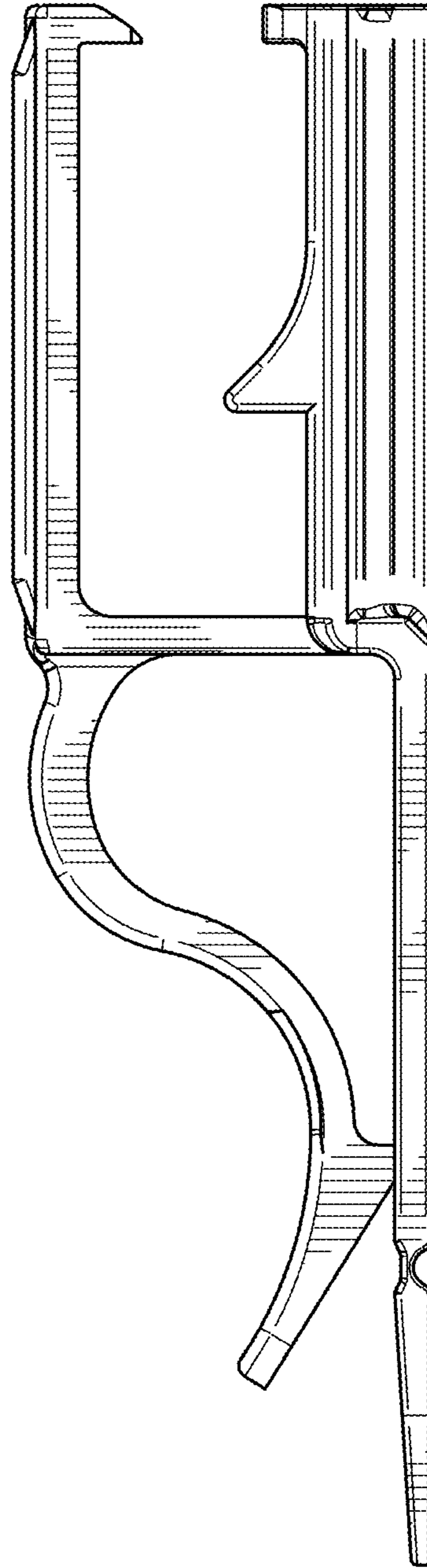


FIG. 5

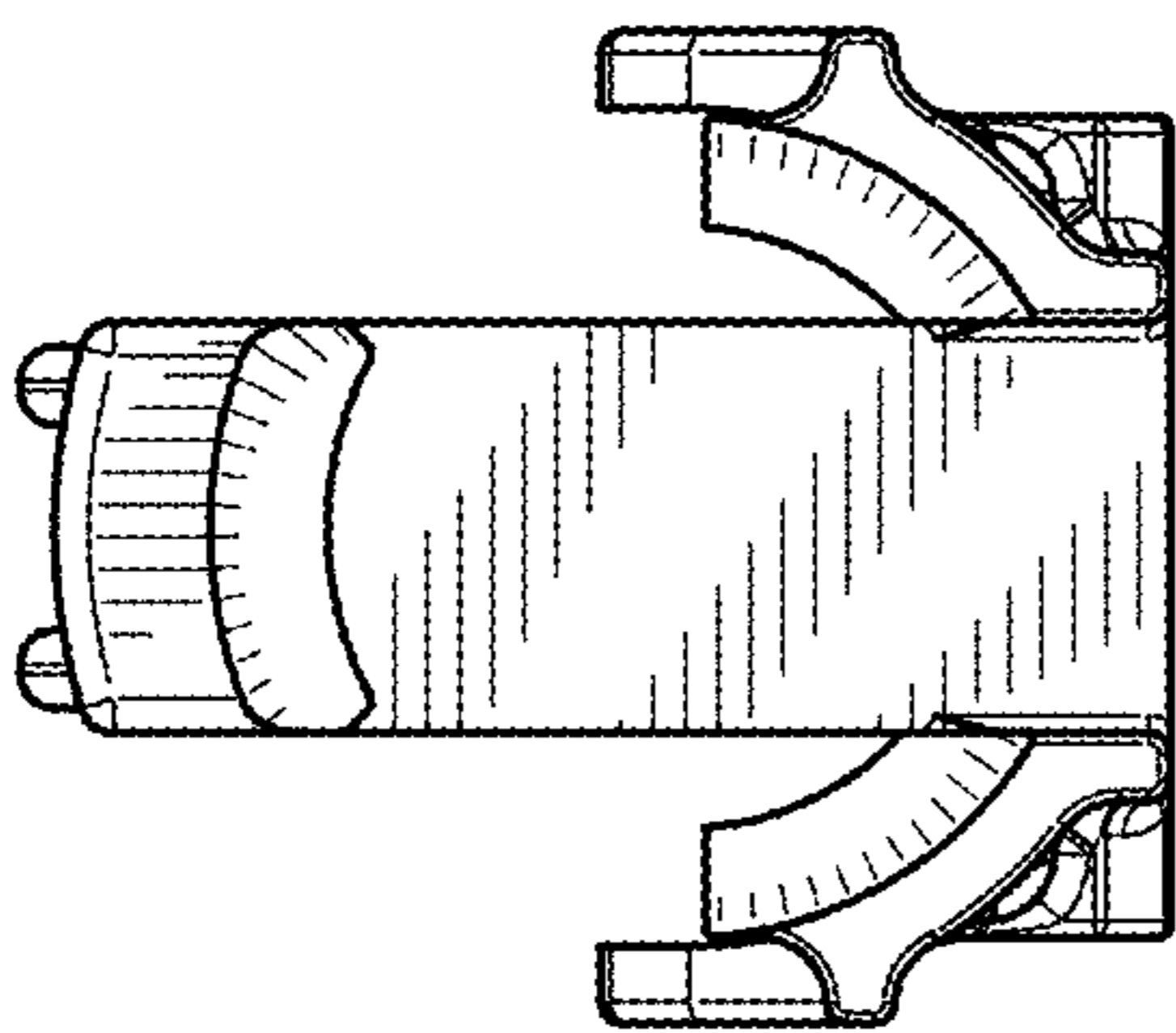


FIG. 6

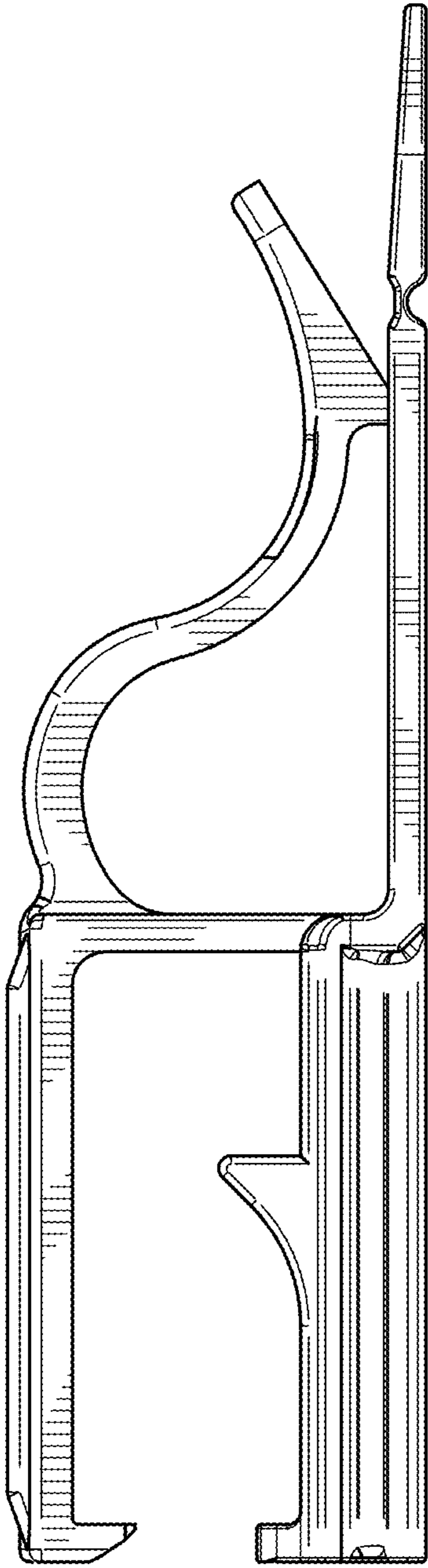


FIG. 7

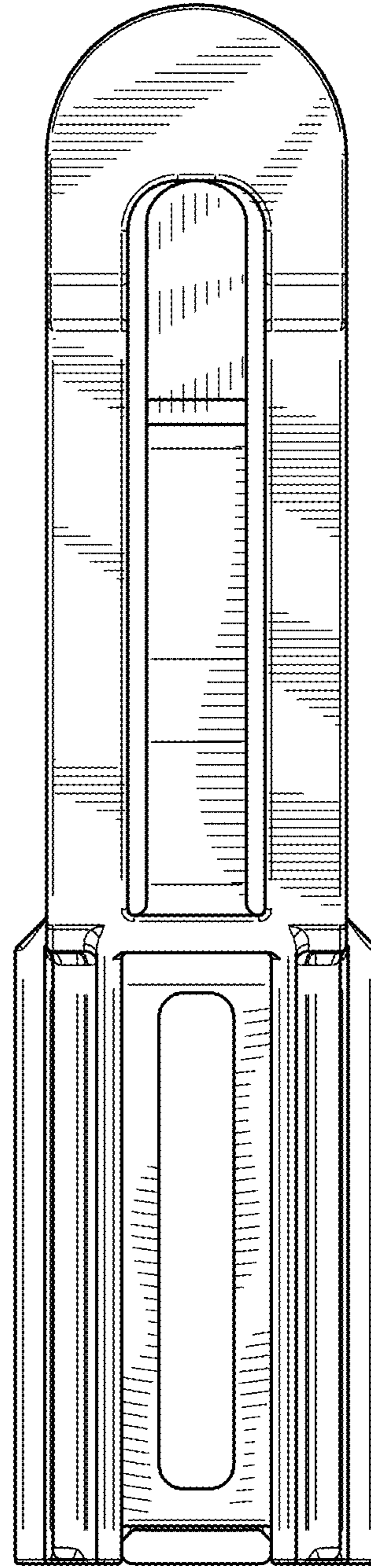


FIG. 8