



US00D939334S

(12) **United States Design Patent** (10) **Patent No.:** **US D939,334 S**
Jiao (45) **Date of Patent:** **** Dec. 28, 2021**

(54) **CLIP**
(71) Applicant: **Lanxing Jiao**, Xianning (CN)
(72) Inventor: **Lanxing Jiao**, Xianning (CN)
(**) Term: **15 Years**
(21) Appl. No.: **29/775,322**
(22) Filed: **Mar. 23, 2021**
(51) **LOC (13) Cl.** **08-08**
(52) **U.S. Cl.**
USPC **D8/394**
(58) **Field of Classification Search**
USPC D8/394-395
CPC E06B 1/60; A61G 5/00; F16B 37/04
See application file for complete search history.

D525,117 S * 7/2006 Mariano D8/395
D546,464 S * 7/2007 Savoia D24/200
D563,217 S * 3/2008 Kushner D8/395
D644,920 S 9/2011 Price
D675,509 S 2/2013 Gary et al.
D734,536 S * 7/2015 Sheynin D27/192
D743,842 S * 11/2015 La Guzza D11/218
D750,476 S * 3/2016 Huang D8/395
D791,839 S * 7/2017 Fox D15/5
D812,291 S * 3/2018 Victor D27/183

* cited by examiner

Primary Examiner — John R Yeh

(57) **CLAIM**

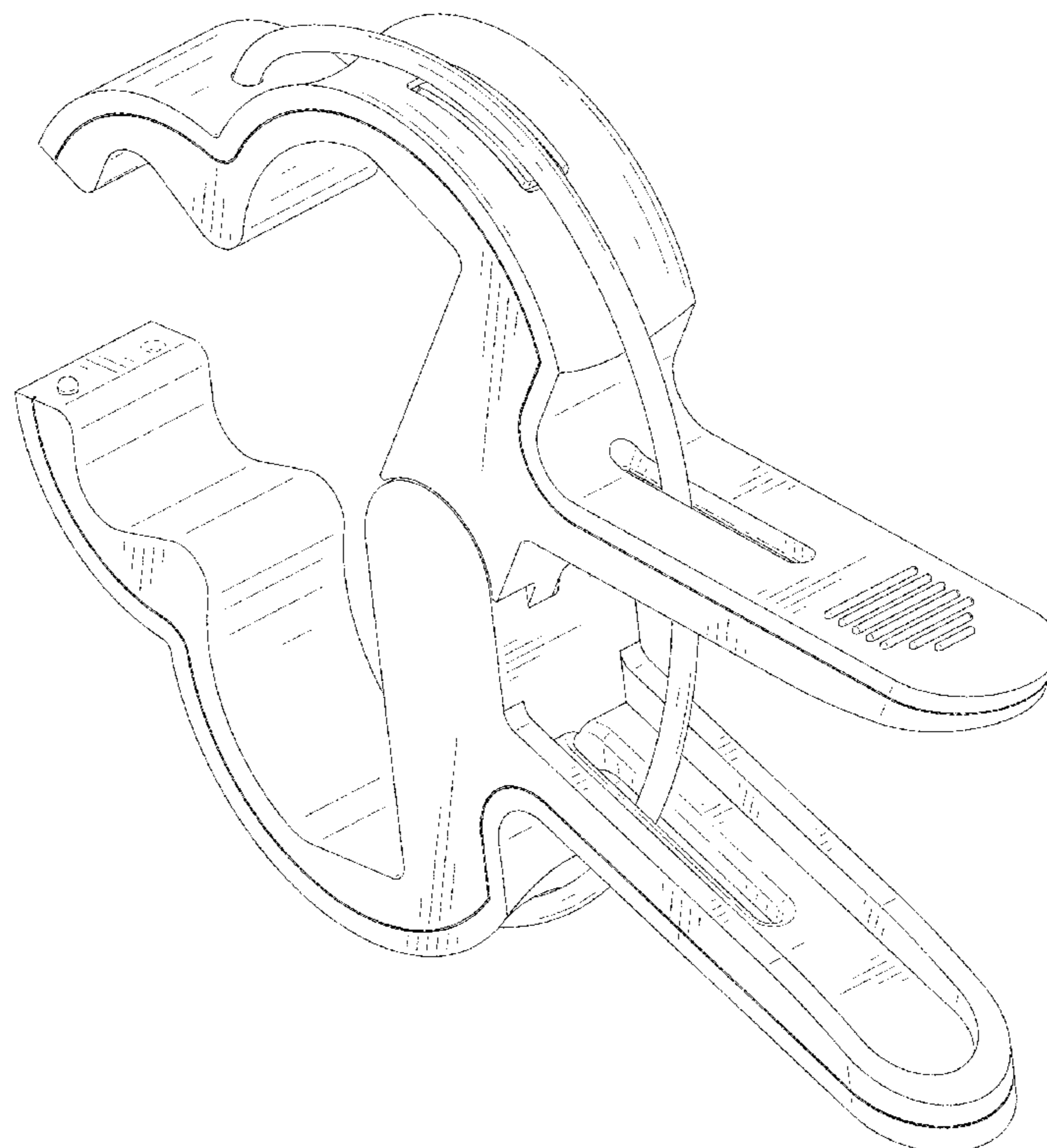
The ornamental design for a clip, as shown and described.

DESCRIPTION

FIG. 1 is a perspective view of a clip showing my new design;
FIG. 2 is another perspective view thereof;
FIG. 3 is a front elevational view thereof;
FIG. 4 is a rear elevational view thereof;
FIG. 5 is a left side elevational view thereof;
FIG. 6 is a right side elevational view thereof;
FIG. 7 is a top plan view thereof;
FIG. 8 is a bottom plan view thereof; and,
FIG. 9 is a perspective view of the clip where the clip is in a configuration of use.
The broken lines in the drawings depict portions of the clip that form no part of the claimed design.

(56) **References Cited**
U.S. PATENT DOCUMENTS
D259,056 S * 4/1981 Zwart D24/143
D276,272 S * 11/1984 Weissenburger D24/176
D295,558 S * 5/1988 Jefferson D24/194
D298,711 S * 11/1988 Lowance D32/63
D311,836 S * 11/1990 Dala D11/3
D321,210 S * 10/1991 Hiromori D19/65
5,179,768 A * 1/1993 Jio D06F 55/00
24/499
D364,336 S * 11/1995 Calusinski D8/371
D365,017 S * 12/1995 Rohrig D8/394
D367,223 S * 2/1996 Adams D8/395
D368,219 S * 3/1996 Protz, Jr. D8/371
D437,783 S * 2/2001 Naslund D9/443
D522,650 S * 6/2006 Clawson D24/106

1 Claim, 9 Drawing Sheets



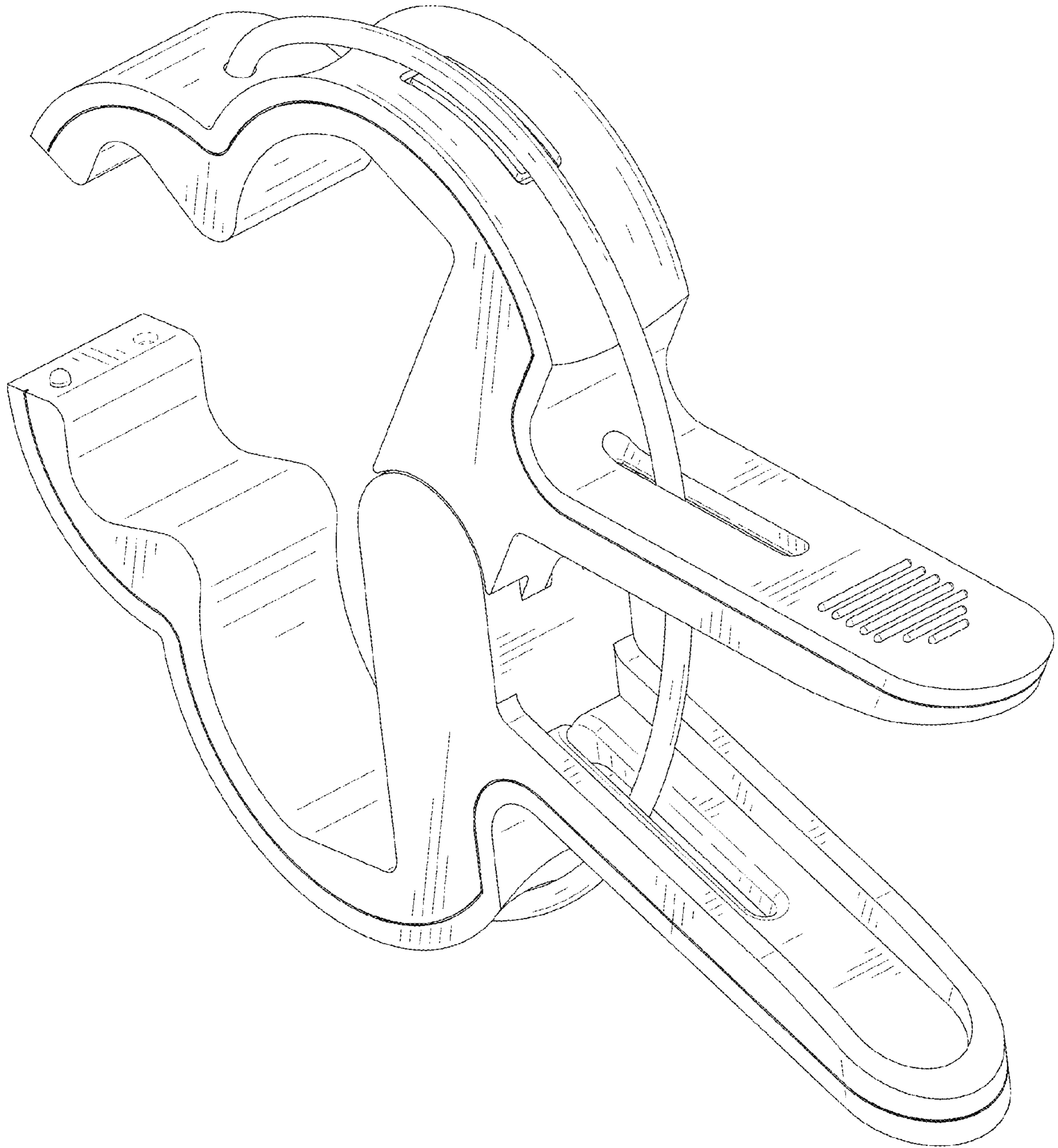


FIG. 1

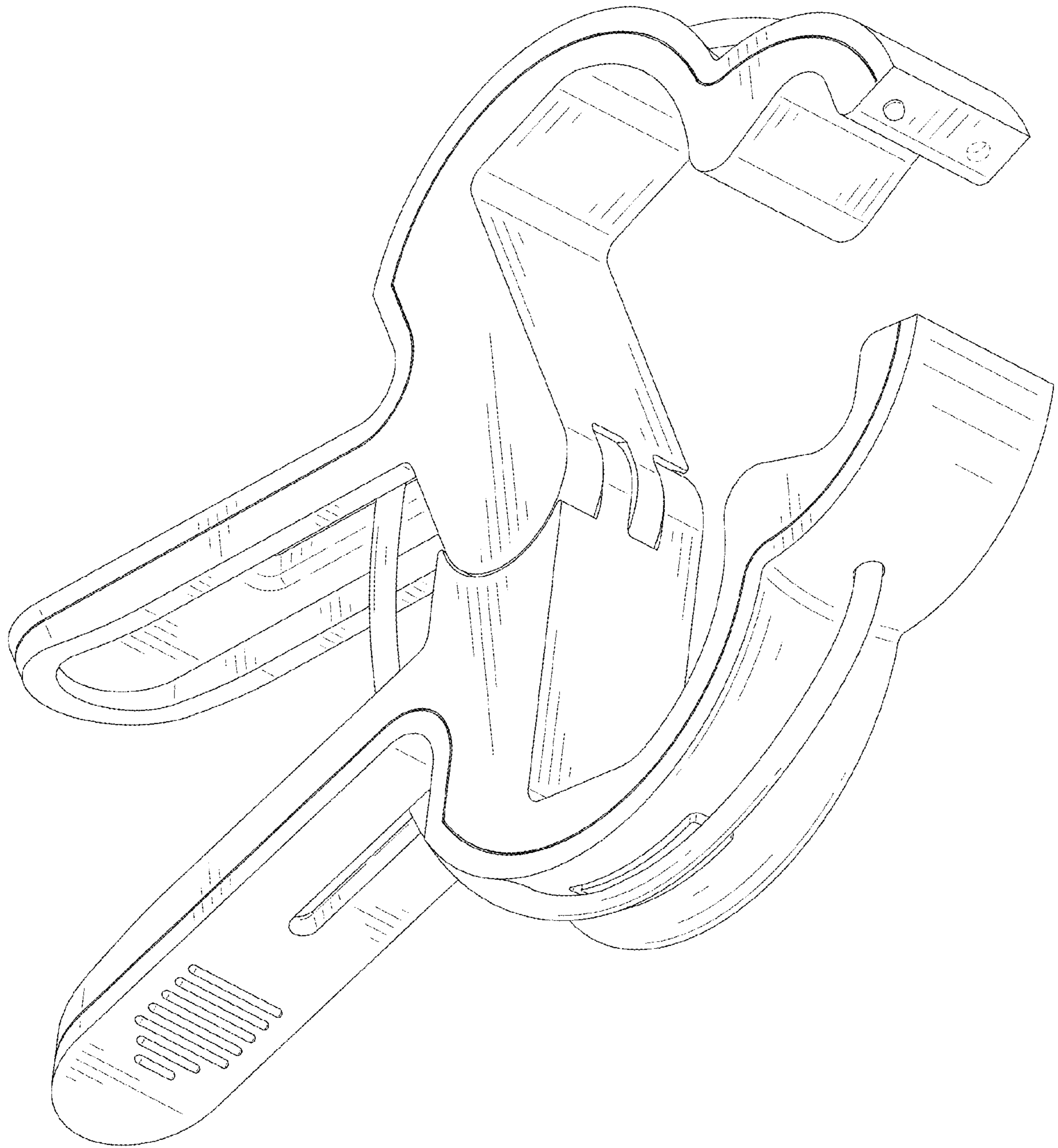


FIG. 2

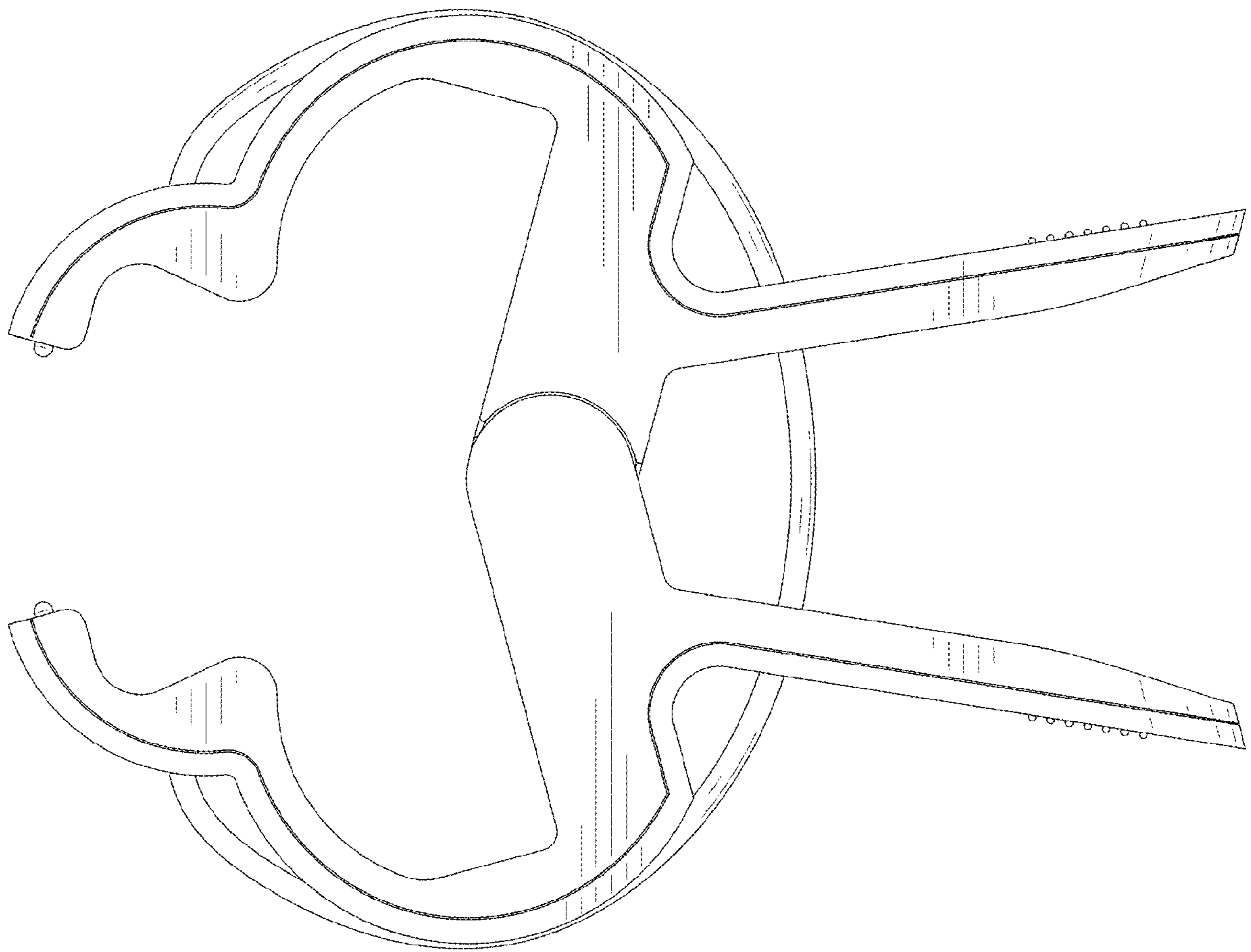


FIG. 3

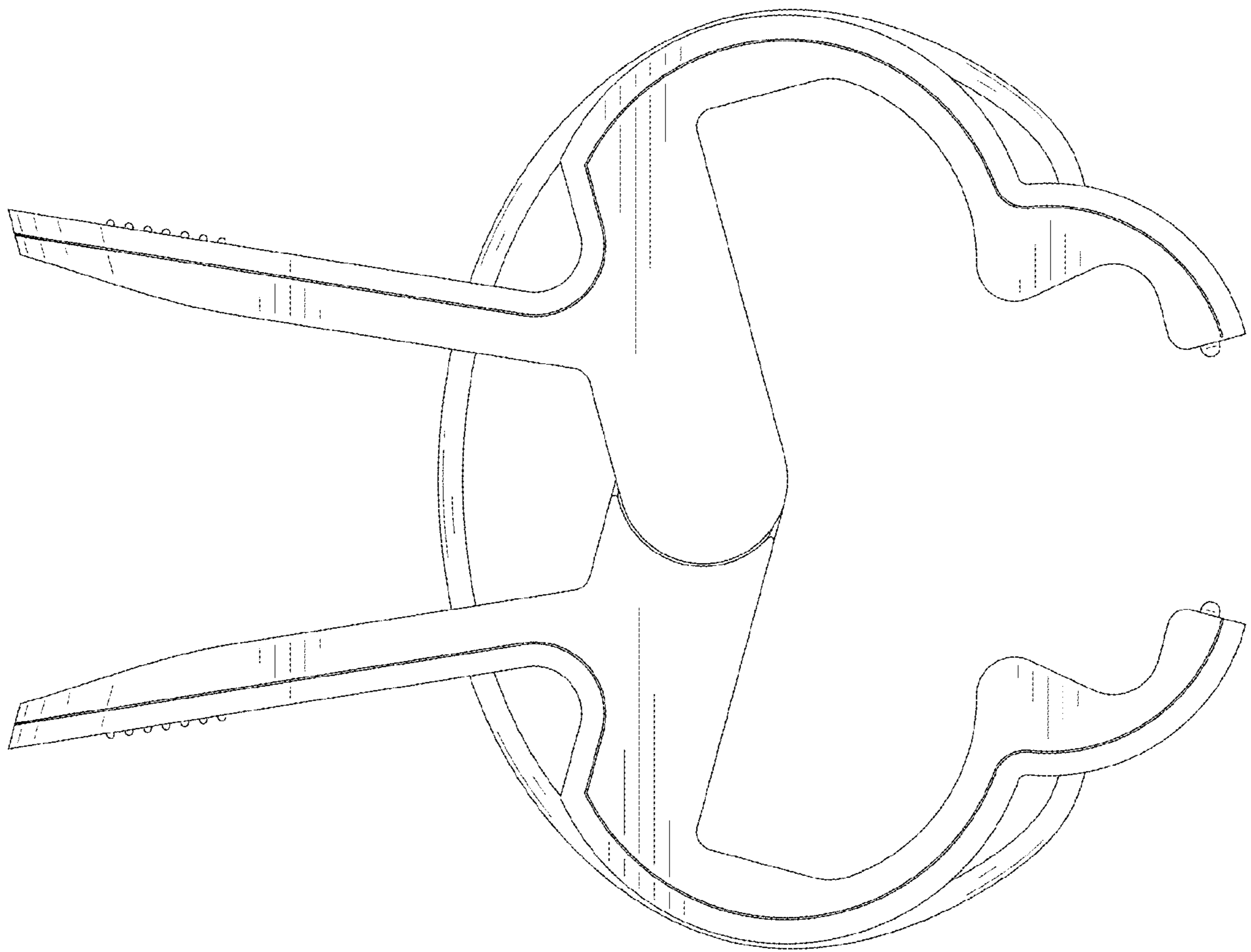


FIG. 4

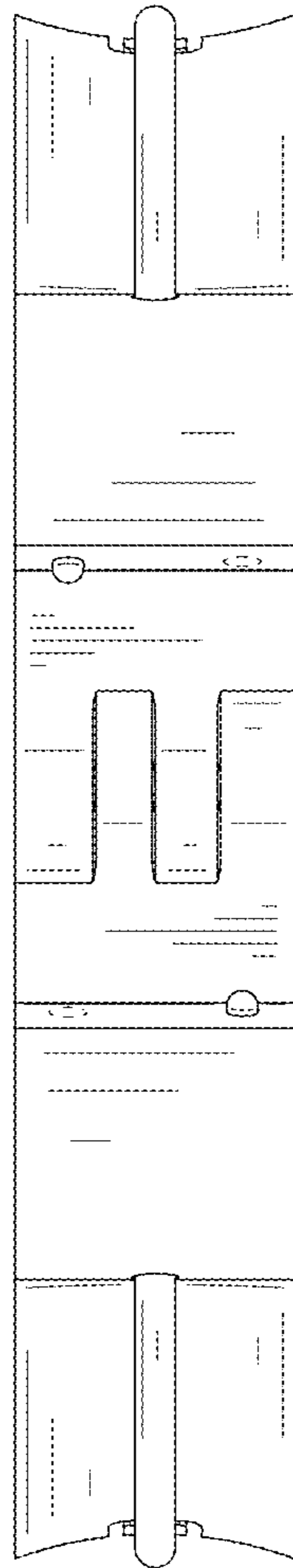


FIG. 5

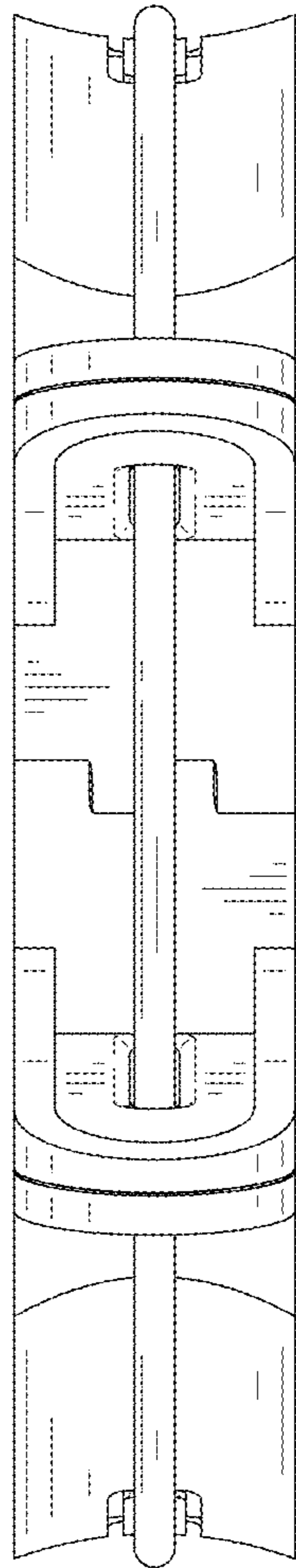


FIG. 6

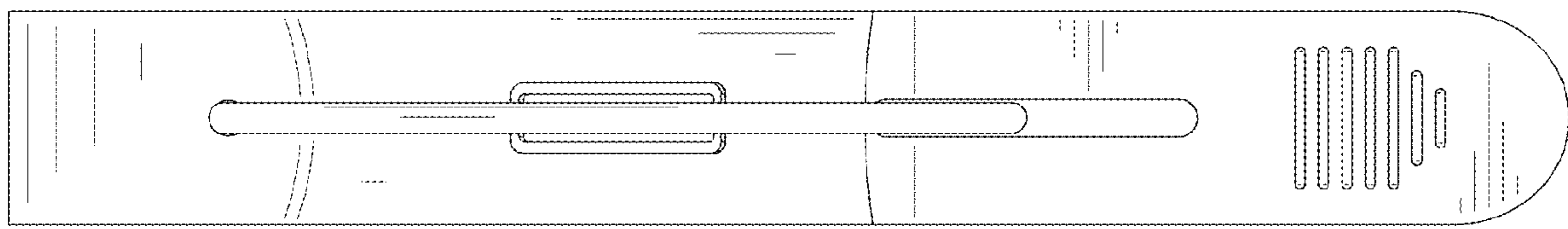


FIG. 7

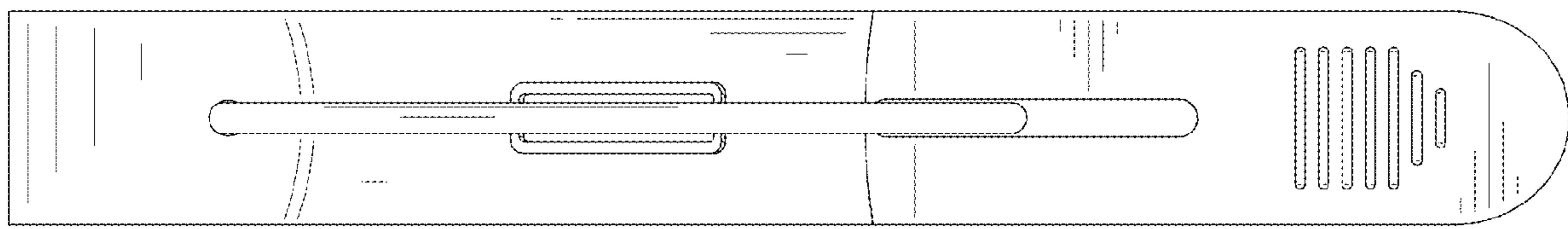


FIG. 8

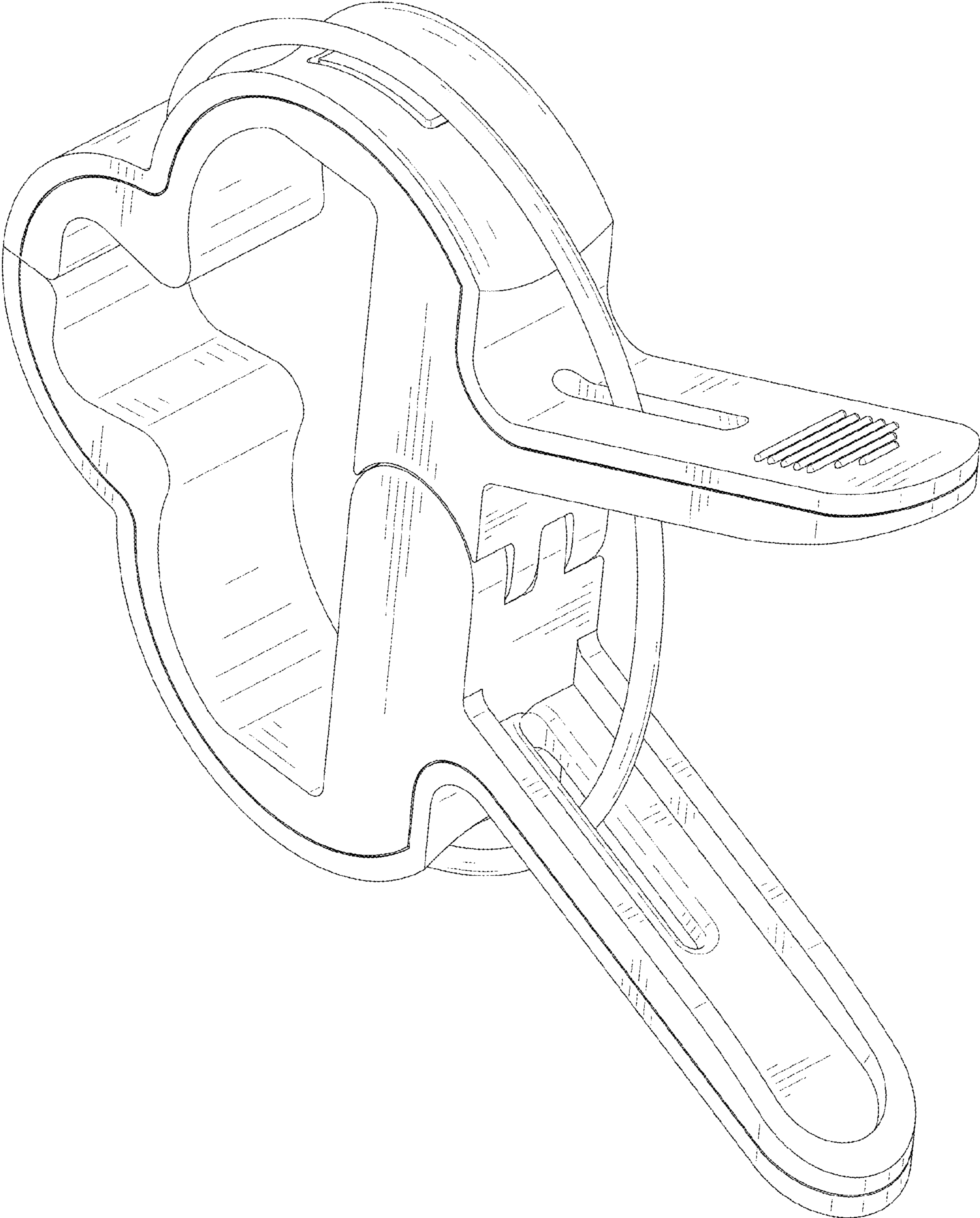


FIG. 9