

US00D939333S

(12) **United States Design Patent** (10) **Patent No.:** **US D939,333 S**
Kuhl (45) **Date of Patent:** **** Dec. 28, 2021**

(54) **CLIP**
(71) Applicant: **Steven S. Kuhl**, Hopkins, MN (US)
(72) Inventor: **Steven S. Kuhl**, Hopkins, MN (US)
(**) Term: **15 Years**
(21) Appl. No.: **29/722,988**
(22) Filed: **Feb. 3, 2020**
(51) **LOC (13) Cl.** **08-08**
(52) **U.S. Cl.**
USPC **D8/394**
(58) **Field of Classification Search**
USPC D8/72-73, 367, 394-396; D23/259, 269;
D24/155
CPC H01R 13/639; F16B 45/02; F16B 2/06;
A61F 5/448; F16L 33/06; F16L 37/00;
F16L 23/06; E04D 13/00
See application file for complete search history.

D520,739 S * 5/2006 Tsai D3/218
D521,232 S 5/2006 Andre
D526,743 S 8/2006 Battista, III et al.
7,568,250 B2 8/2009 Menard-Flanagan
D603,781 S 11/2009 Jimenez
D603,898 S 11/2009 Rommel
D619,355 S * 7/2010 Pedersen D3/218
D626,129 S * 10/2010 Lutz D14/447
D649,408 S * 11/2011 Delk D7/620
D653,940 S 2/2012 Yasher
D670,159 S 11/2012 Bitarchas et al.
D685,570 S * 7/2013 Ito D3/218
D736,612 S 8/2015 Sickler, Jr.
D738,713 S 9/2015 Volin
D769,707 S 10/2016 Roentz
D781,571 S 3/2017 Moerer

(Continued)

OTHER PUBLICATIONS

Amazon reviews Jun. 14, 2019, S5SR Heat Cable Clip, site visited Aug. 13, 2021, smile.amazon.com/gp/product/B07JLWWRGP?pf_rd_r=C40NZWCQQXEXFD7ZCG8S&pf...*

(Continued)

(56) **References Cited**
U.S. PATENT DOCUMENTS

D222,430 S 10/1971 Millar
D261,775 S 11/1981 Valigura
4,363,432 A 12/1982 Warthen
D285,287 S * 8/1986 Tannar D9/434
D303,159 S 8/1989 Heath
D317,252 S 6/1991 Rumpel
D324,990 S * 3/1992 Gary D26/138
D340,183 S 10/1993 Rumpel
D350,216 S 8/1994 Heaton
D354,677 S 1/1995 Troyer
D355,997 S * 3/1995 Zandstra D6/709.14
D370,559 S 6/1996 Amdt
D393,923 S 4/1998 Dimonekas
D408,273 S * 4/1999 Senninger D8/356
D443,387 S 6/2001 Torres et al.
D513,171 S 12/2005 Richardson

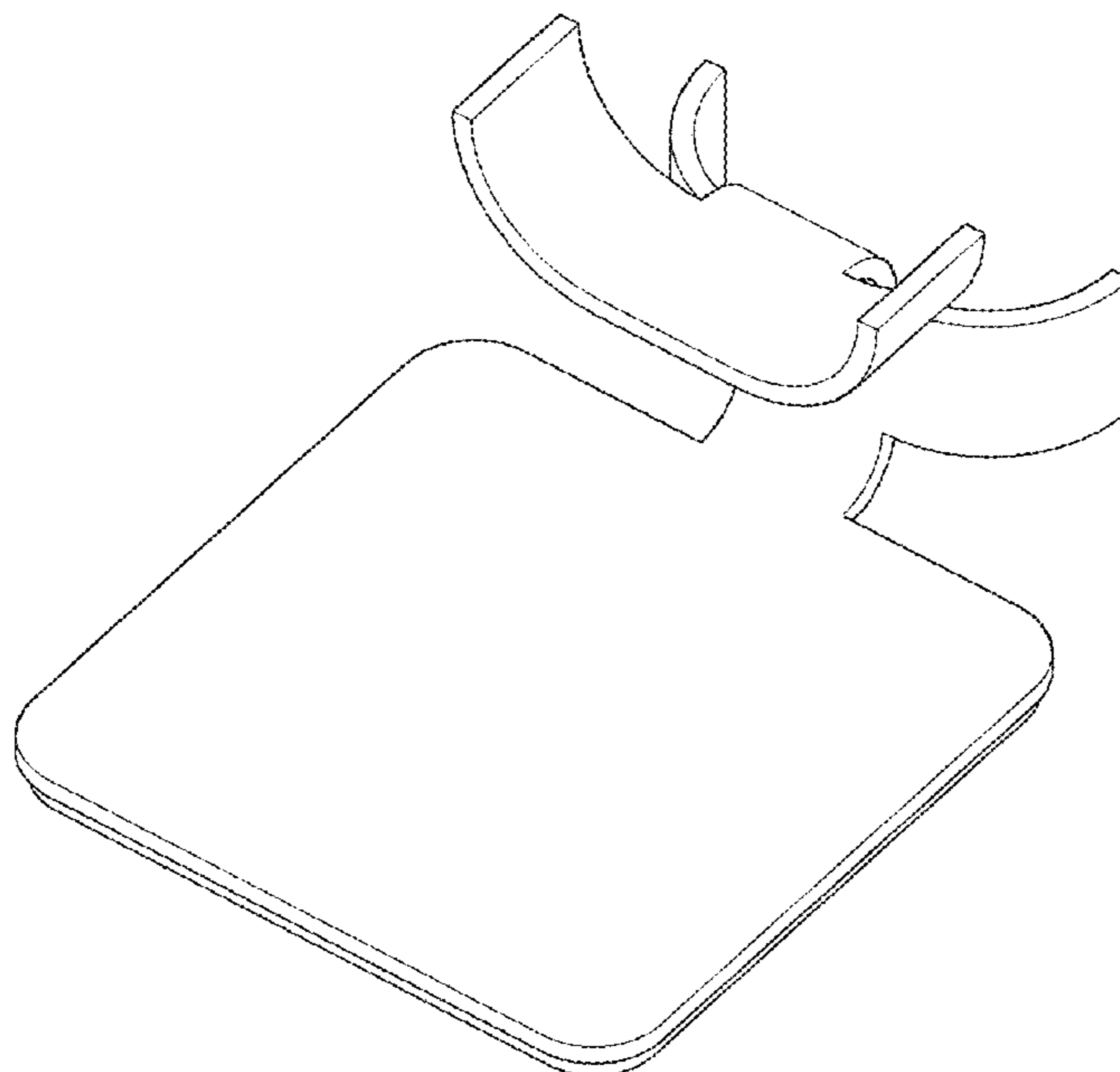
Primary Examiner — John R Yeh
(74) *Attorney, Agent, or Firm* — Merchant & Gould P.C.

(57) **CLAIM**
The ornamental design for a clip, as shown and described.

DESCRIPTION

FIG. 1 is a top view of the clip;
FIG. 2 is a bottom view thereof;
FIG. 3 is a front view thereof;
FIG. 4 is a rear view thereof;
FIG. 5 is a left side view thereof;
FIG. 6 is a right side view thereof; and,
FIG. 7 is an isometric view thereof.

1 Claim, 7 Drawing Sheets



(56)

References Cited

U.S. PATENT DOCUMENTS

D787,173 S * 5/2017 Parnell B62B 3/1472
D3/10
D789,778 S 6/2017 White
D800,536 S * 10/2017 Kelley D8/354
D806,529 S 1/2018 Olenick
D811,869 S 3/2018 Gallion et al.
D820,664 S 6/2018 Allen et al.
D839,994 S 2/2019 Cole et al.
D847,623 S 5/2019 Caron
D861,471 S 10/2019 Ild
D876,942 S * 3/2020 Kuhl F16B 7/22
D8/394

OTHER PUBLICATIONS

Amazon reviews Aug. 21, 2015, King SRK13 Roof Cable Clip, site visited Aug. 10, 2021, [amazon.com/King-SRK13-Icing-Cable-25-pack/](https://www.amazon.com/King-SRK13-Icing-Cable-25-pack/) . . . *

King Electric; www.king-electric.com; SRK 13 Roof Clips Installation, Operation and Maintenance Instructions; accessed on Mar. 3, 2020; 2 pages.

Erica Caddy Combination Box/Conduit Hanger, Rexel USA, www.rexelusa.com/...eam/Erico-Caddy-812MB18-Combination-Box-Conduit-Hanger%2C-Drop-Wire-Rod-Beam%2C-1-2%22-or-3-4%22/p/113318?prevPageNumber=2, site visited May 11, 2019.

* cited by examiner

Fig. 1

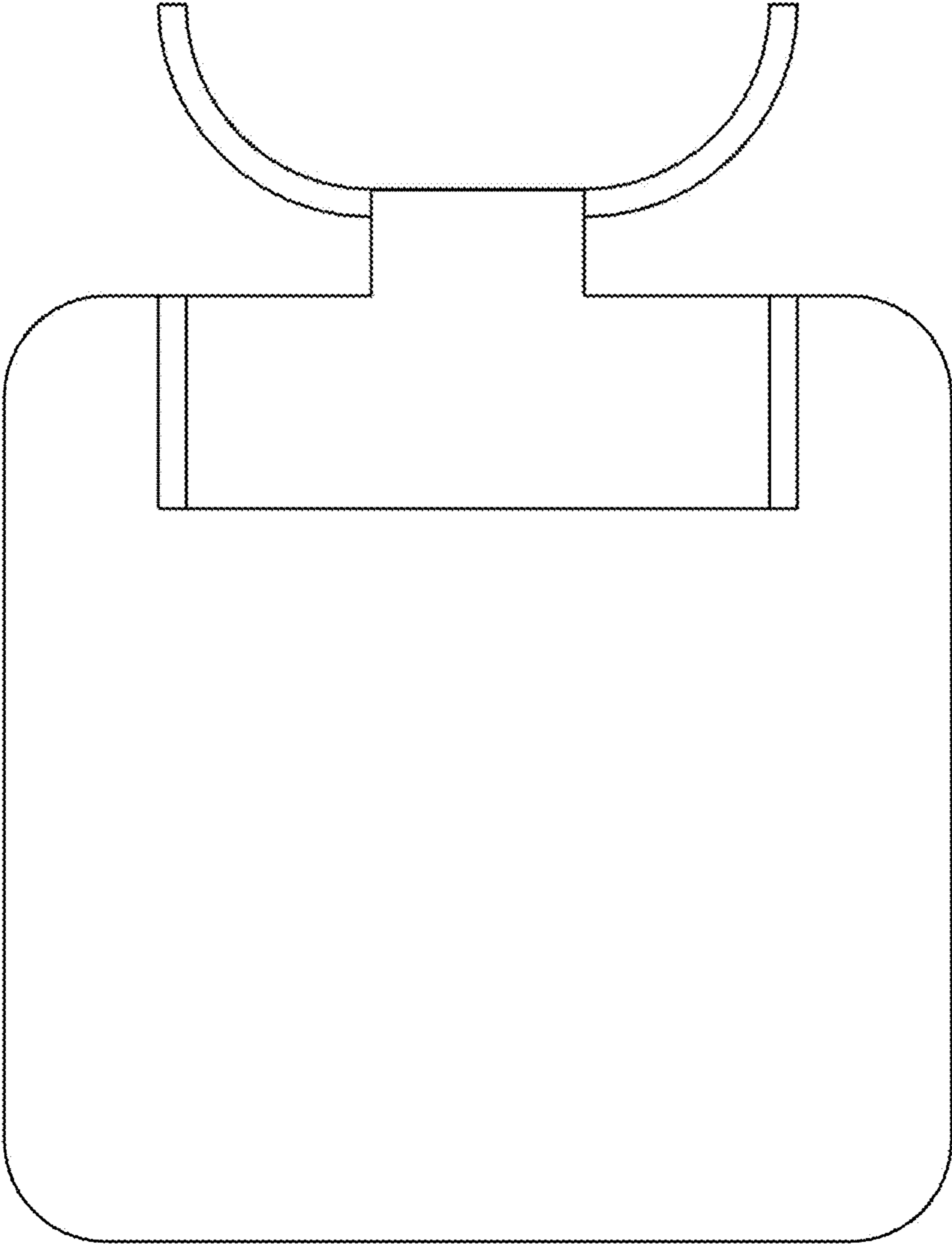


Fig. 2

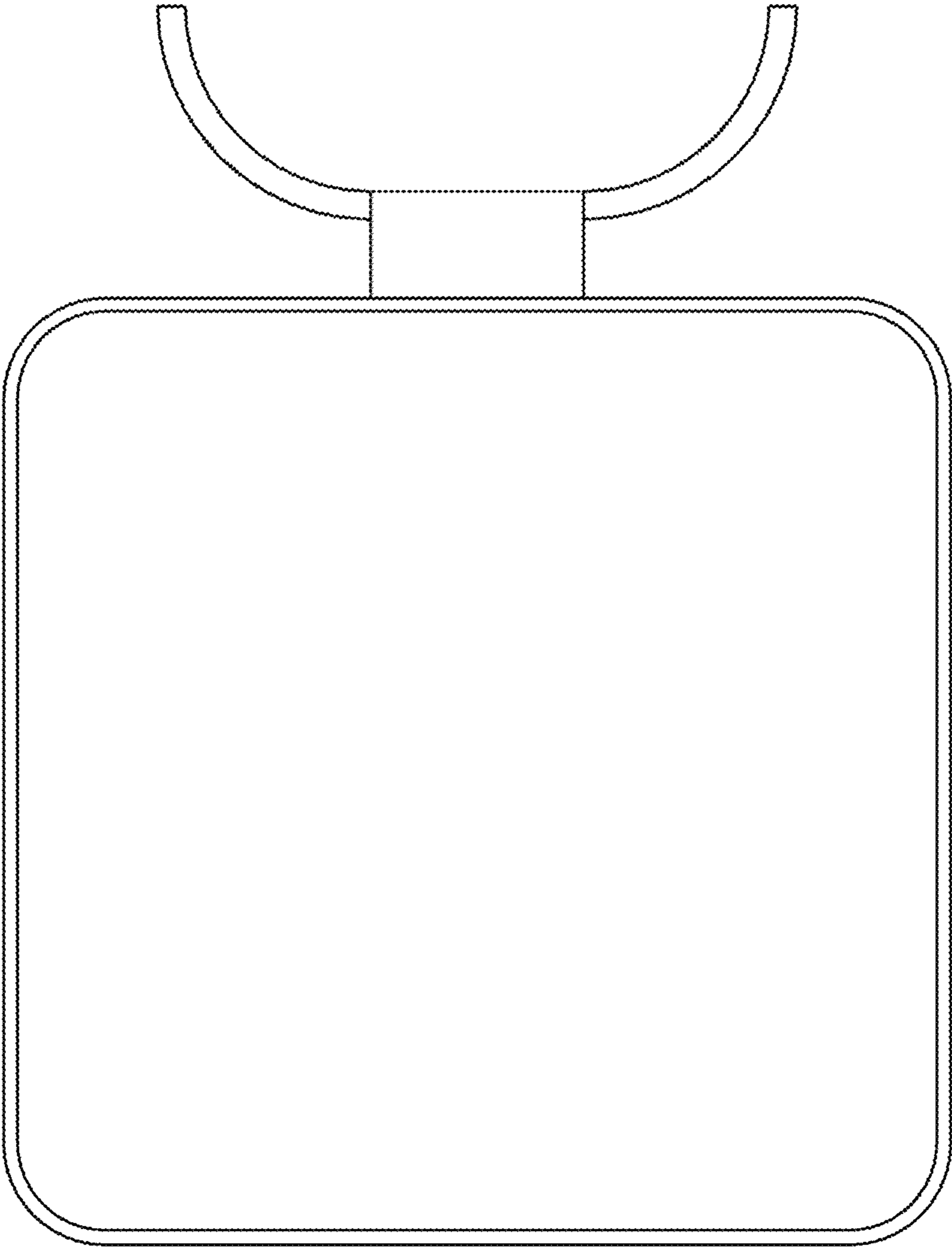


Fig. 3

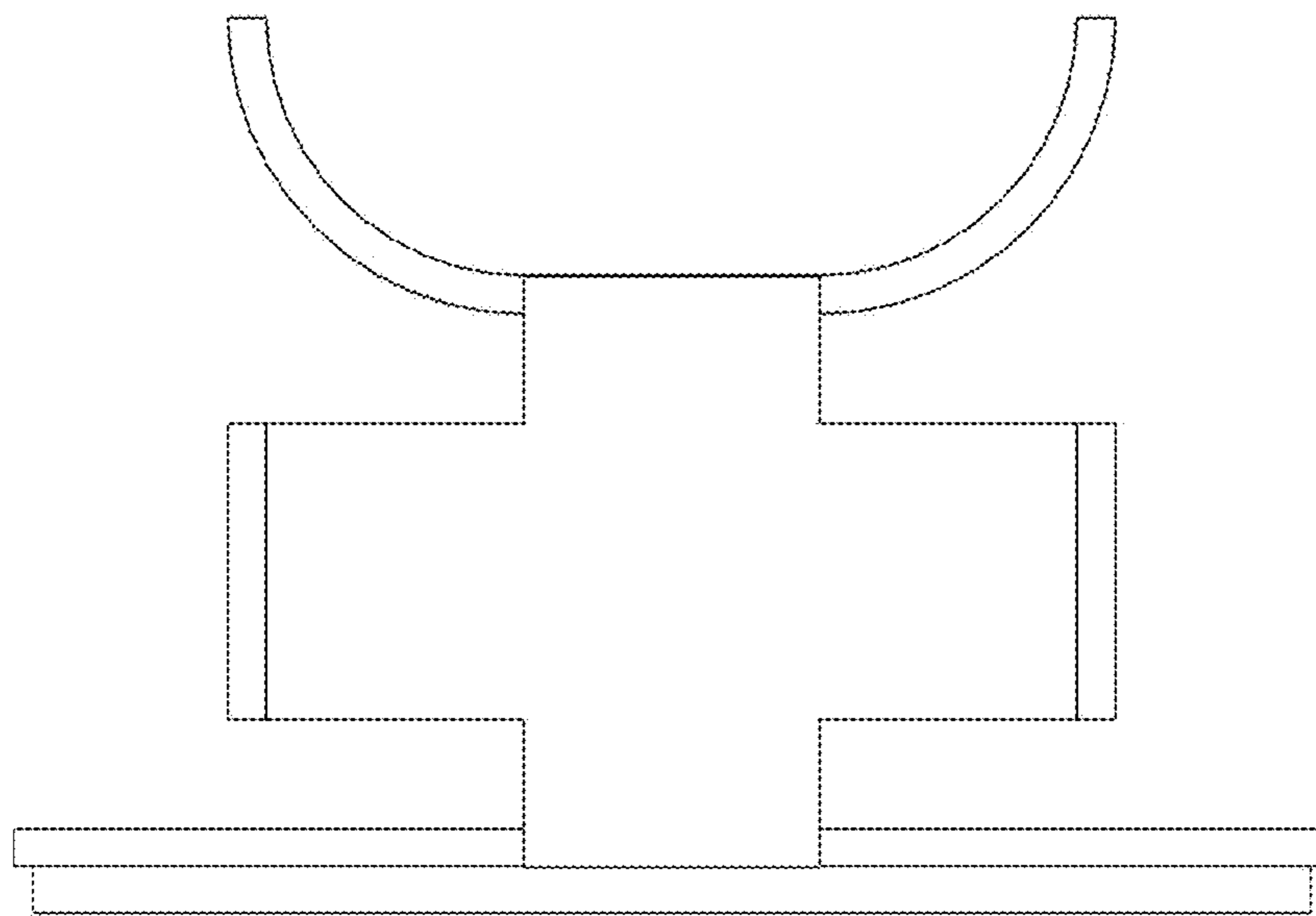


Fig. 4

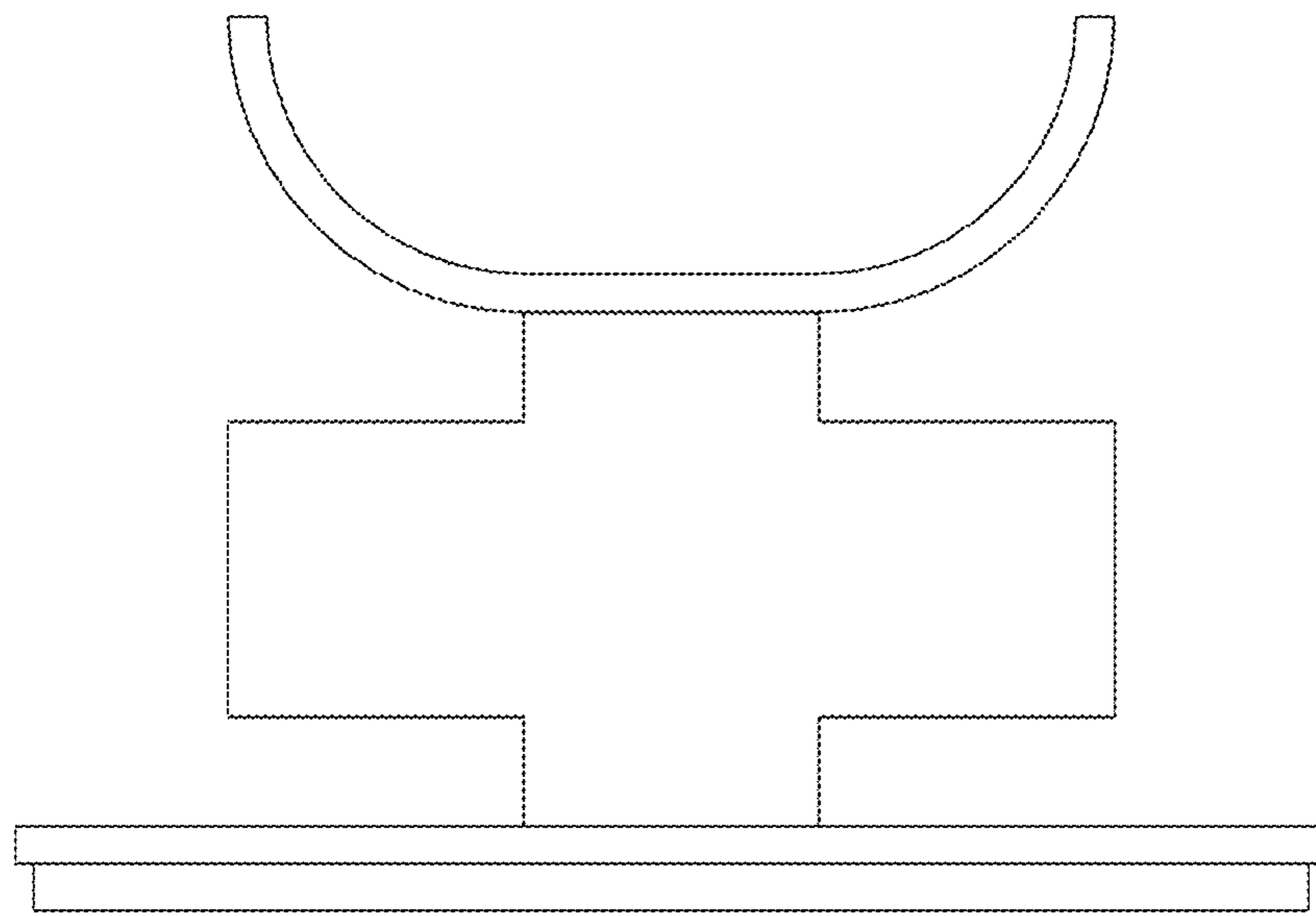


Fig. 5

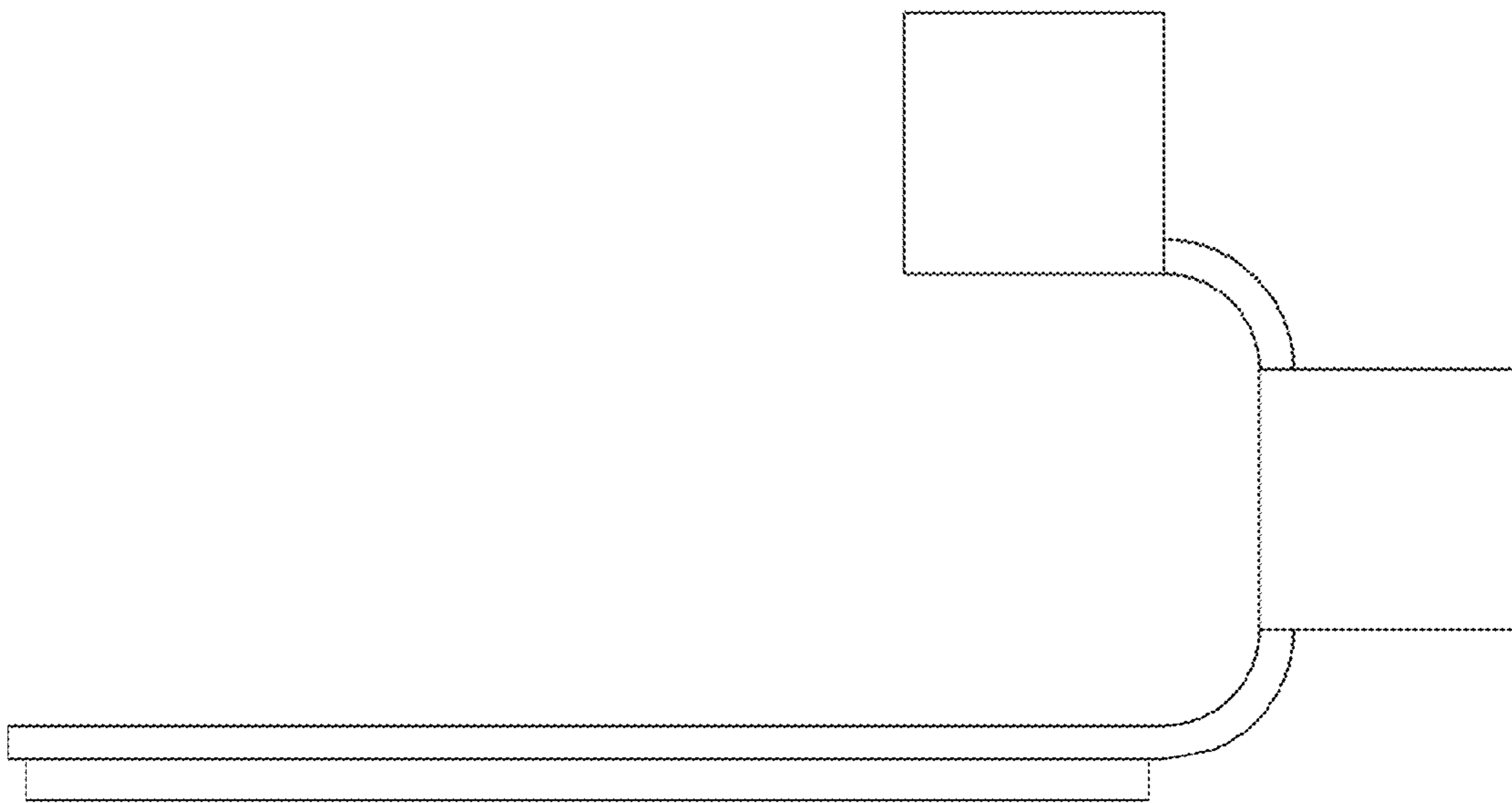


Fig. 6

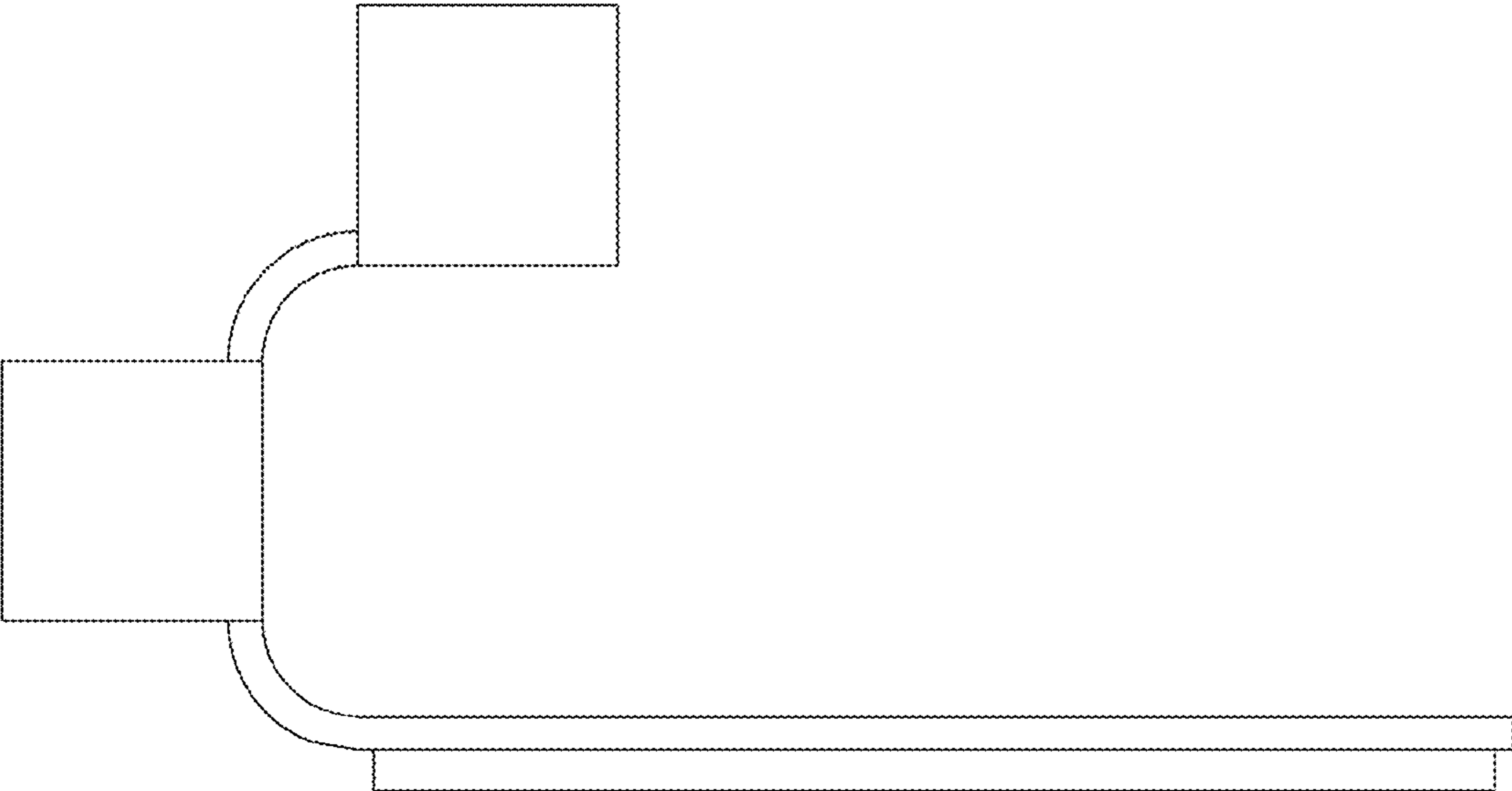


Fig. 7

