



US00D939332S

(12) **United States Design Patent** (10) **Patent No.:** **US D939,332 S**  
**Kovacs et al.** (45) **Date of Patent:** **\*\* \*Dec. 28, 2021**

(54) **BRACKET FOR MOUNTING TO STRUCTURE**  
(71) Applicant: **PMC Industries, Inc.**, Plainville, CT (US)  
(72) Inventors: **Tamas Kovacs**, Burlington, CT (US); **Robert Mercier**, Newington, CT (US)  
(73) Assignee: **PMC Industries, Inc.**, Plainville, CT (US)  
(\* ) Notice: This patent is subject to a terminal disclaimer.  
(\*\*) Term: **15 Years**  
(21) Appl. No.: **29/698,685**  
(22) Filed: **Jul. 18, 2019**  
(51) **LOC (13) Cl.** ..... **08-05**  
(52) **U.S. Cl.**  
USPC ..... **D8/380**  
(58) **Field of Classification Search**  
USPC ..... D8/380, 499, 354, 349, 364, 382, 394, D8/395; D25/119, 120, 121, 123, 124, D25/125, 131, 132, 133, 134, 135, 136, D25/137, 164, 199, 113-118  
CPC ..... E04H 2004/146; E04H 2004/147; E06B 1/32; E06B 1/34; E06B 1/524; E06B 2003/7049; E04B 2005/176; E04B 2005/324; E04D 13/0641; E04D 13/064; E04D 13/0725  
See application file for complete search history.

D836,554 S \* 12/2018 Yamamoto ..... D13/119  
D860,769 S \* 9/2019 Wokutch ..... D8/380  
D866,305 S \* 11/2019 Mercier ..... D8/380  
D866,306 S \* 11/2019 Mercier ..... D8/380  
D886,571 S \* 6/2020 Twitchell ..... D8/356  
(Continued)

**FOREIGN PATENT DOCUMENTS**

KR 300626076 \* 12/2011

**OTHER PUBLICATIONS**

Solar Panel Mounting Z Bracket \_ Renogy Solar, Date Visited: Feb. 9, 2021, <https://www.renogy.com>, Date Available: 2019, <https://www.renogy.com/solar-panel-mounting-z-bracket-set-of-4/> (Year: 2019).\*

*Primary Examiner* — Susan Bennett Hattan  
*Assistant Examiner* — Elizabeth S Ko  
(74) *Attorney, Agent, or Firm* — Damian Wasserbauer, Esq.; Wasserbauer Law LLC

(57) **CLAIM**

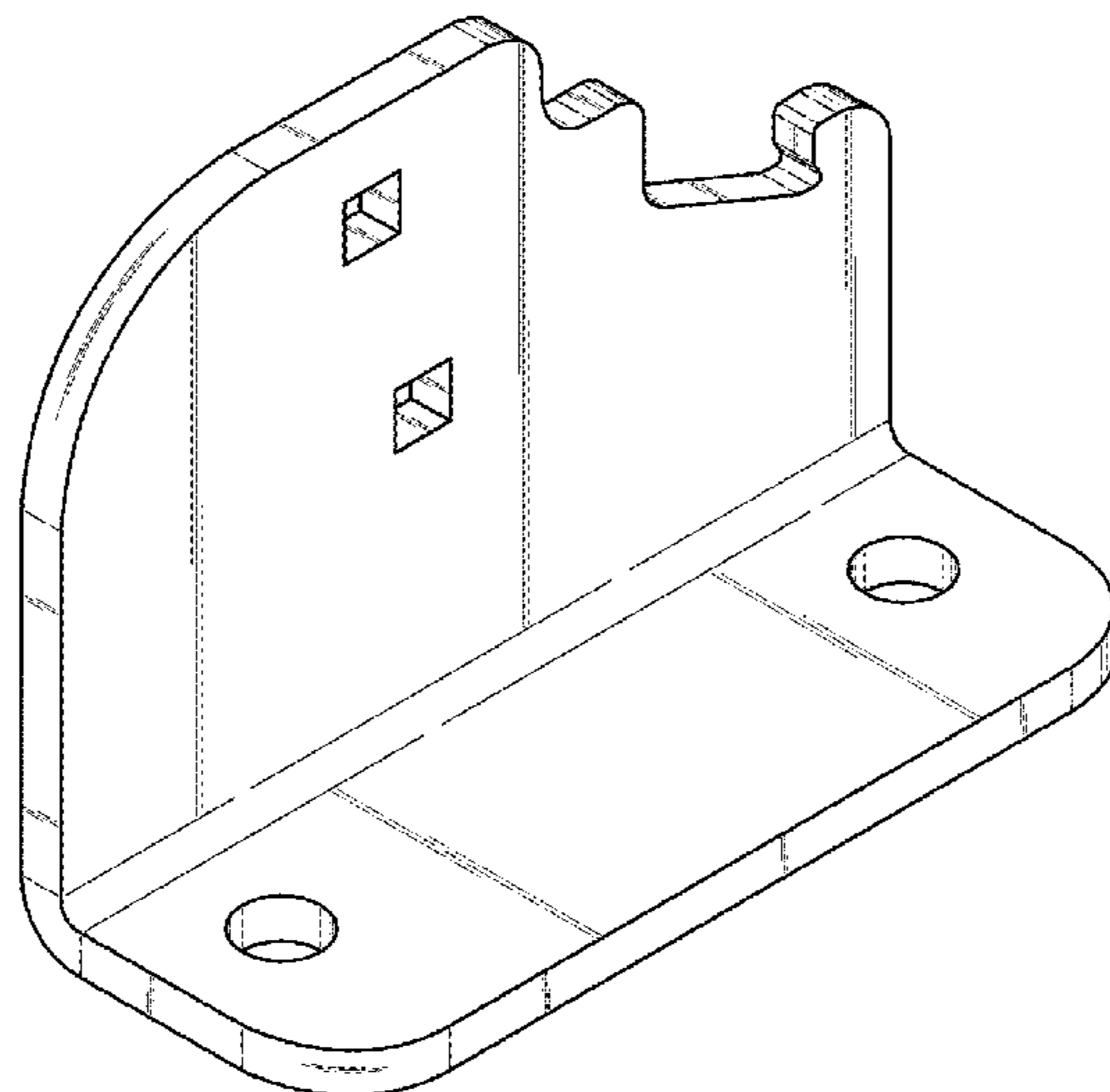
The ornamental design for a bracket for mounting to structure, as shown and described.

**DESCRIPTION**

FIG. 1 is a perspective view of a bracket for mounting to structure in accordance with the present invention;  
FIG. 2 is a front view of the bracket for mounting to structure;  
FIG. 3 is a back view of the bracket for mounting to structure;  
FIG. 4 is a left side of the bracket for mounting to structure;  
FIG. 5 is a right side view of the bracket for mounting to structure;  
FIG. 6 is a top view of the bracket for mounting to structure; and,  
FIG. 7 is a bottom view of the bracket for mounting to structure.

**1 Claim, 7 Drawing Sheets**

(56) **References Cited**  
U.S. PATENT DOCUMENTS  
D475,613 S \* 6/2003 Mullane ..... D8/499  
D547,163 S \* 7/2007 Xayoiphonh ..... D8/363  
D547,164 S \* 7/2007 Xayoiphonh ..... D8/363  
D713,425 S \* 9/2014 Irion ..... D15/32  
D835,980 S \* 12/2018 Kovacs ..... D8/499  
D836,553 S \* 12/2018 Yamamoto ..... D13/119



(56)

**References Cited**

U.S. PATENT DOCUMENTS

D899,897 S \* 10/2020 Gustafsson Salmonsson .....  
D8/354  
D902,701 S \* 11/2020 Smith ..... D8/366  
D902,702 S \* 11/2020 Smith ..... D8/366  
2016/0025262 A1\* 1/2016 Stearns ..... H01Q 1/1207  
248/70  
2016/0123016 A1\* 5/2016 Hudson ..... E04D 13/10  
52/24

\* cited by examiner

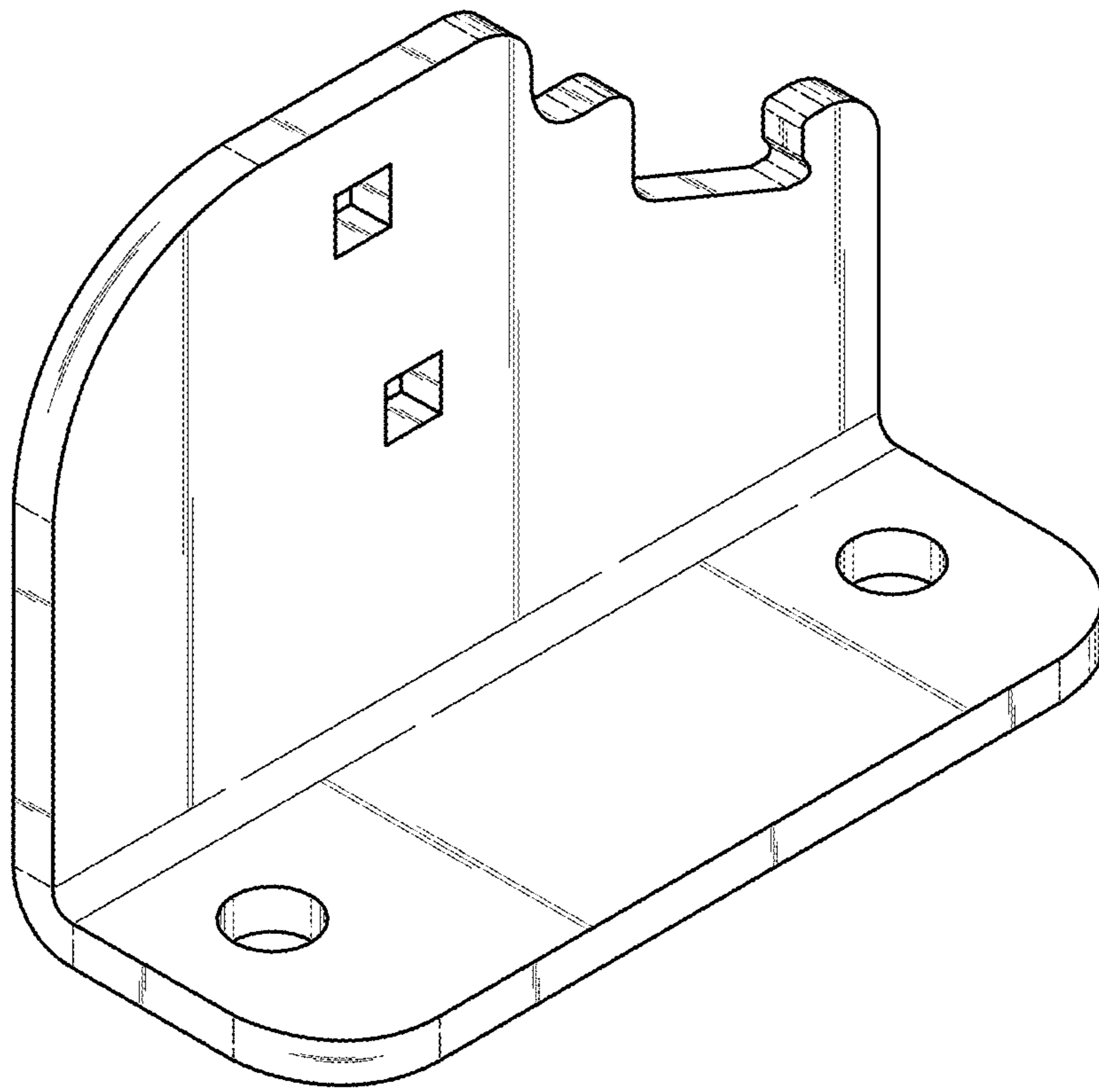


FIG. 1

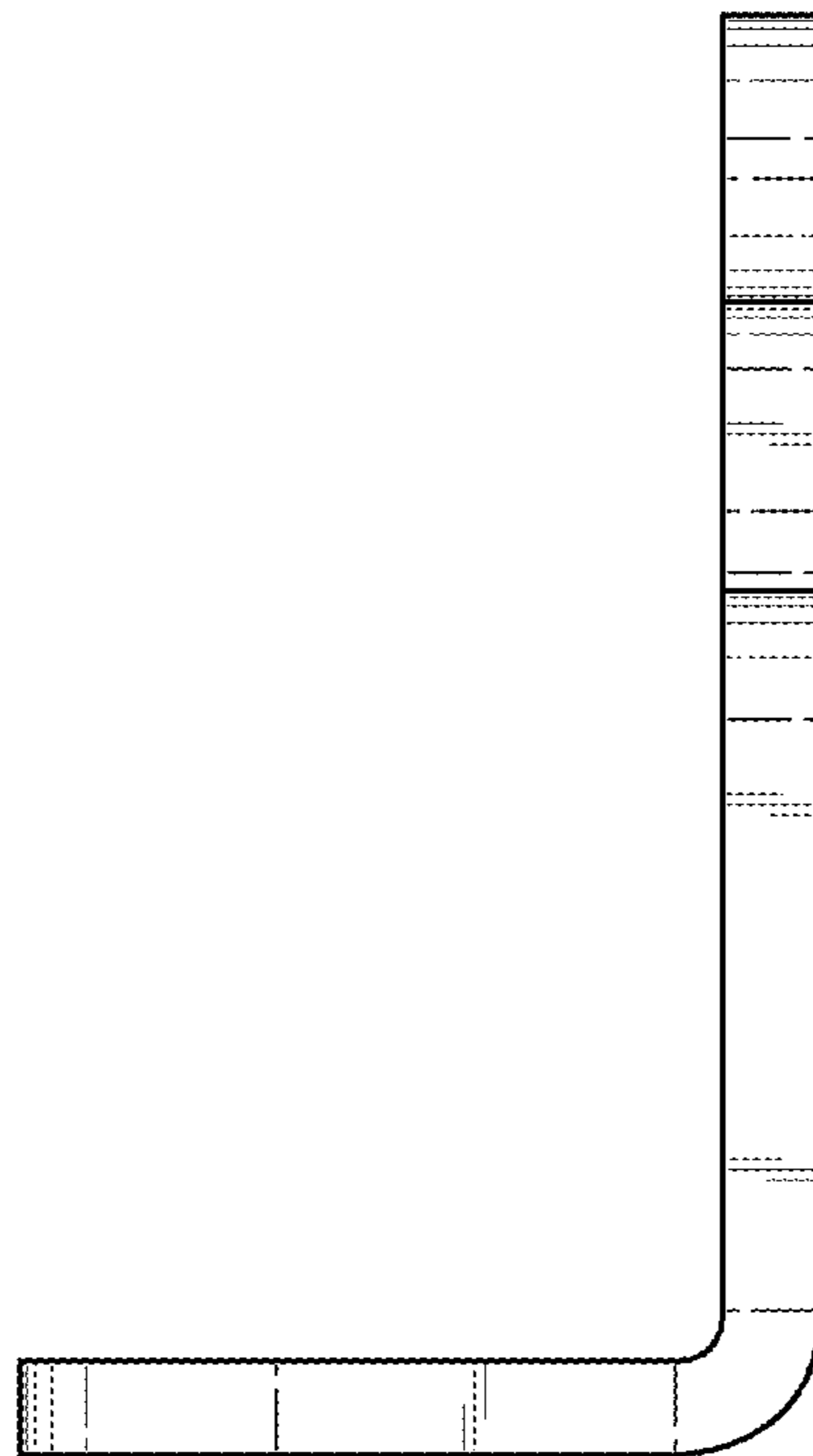


FIG. 2

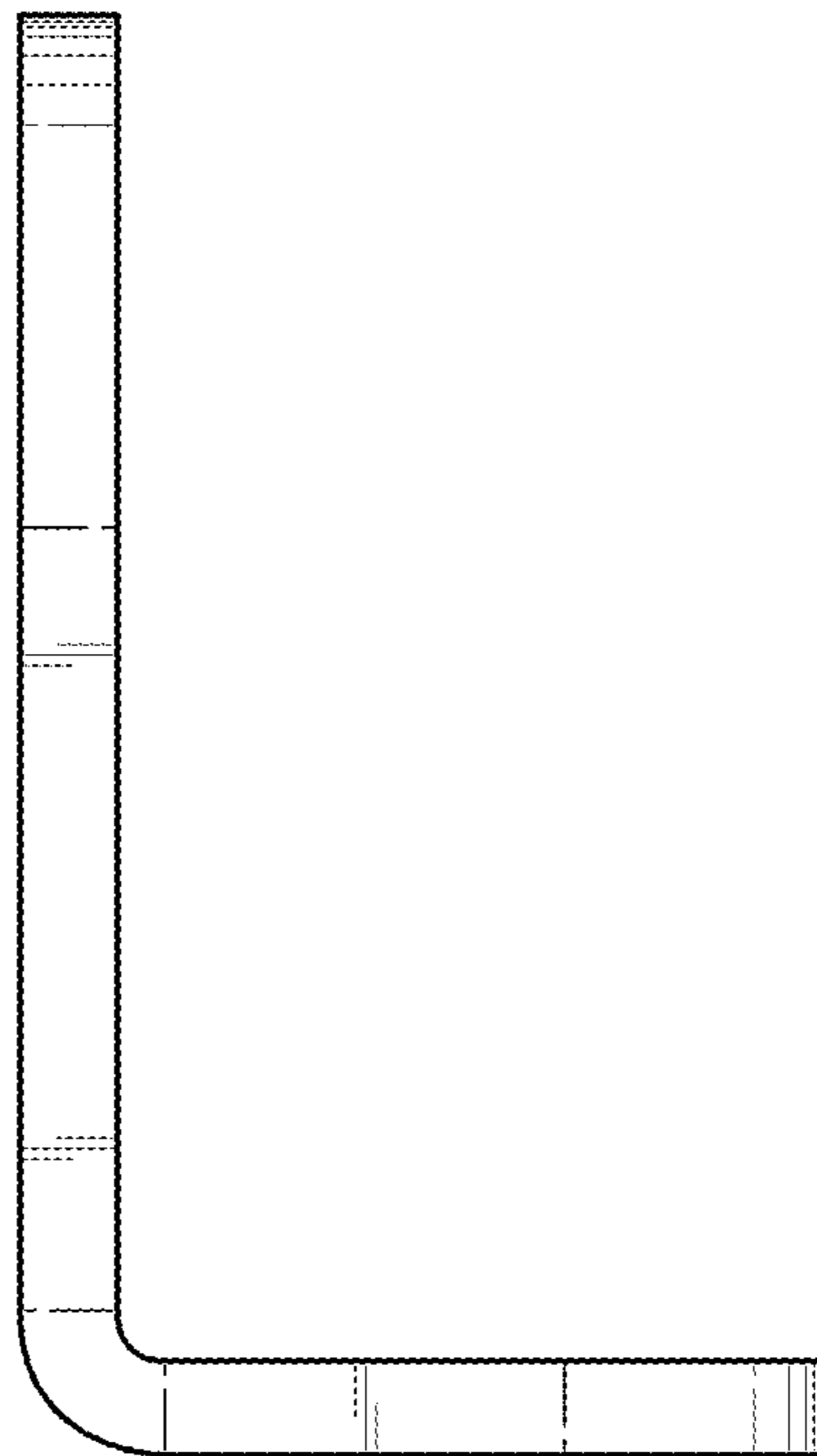


FIG. 3

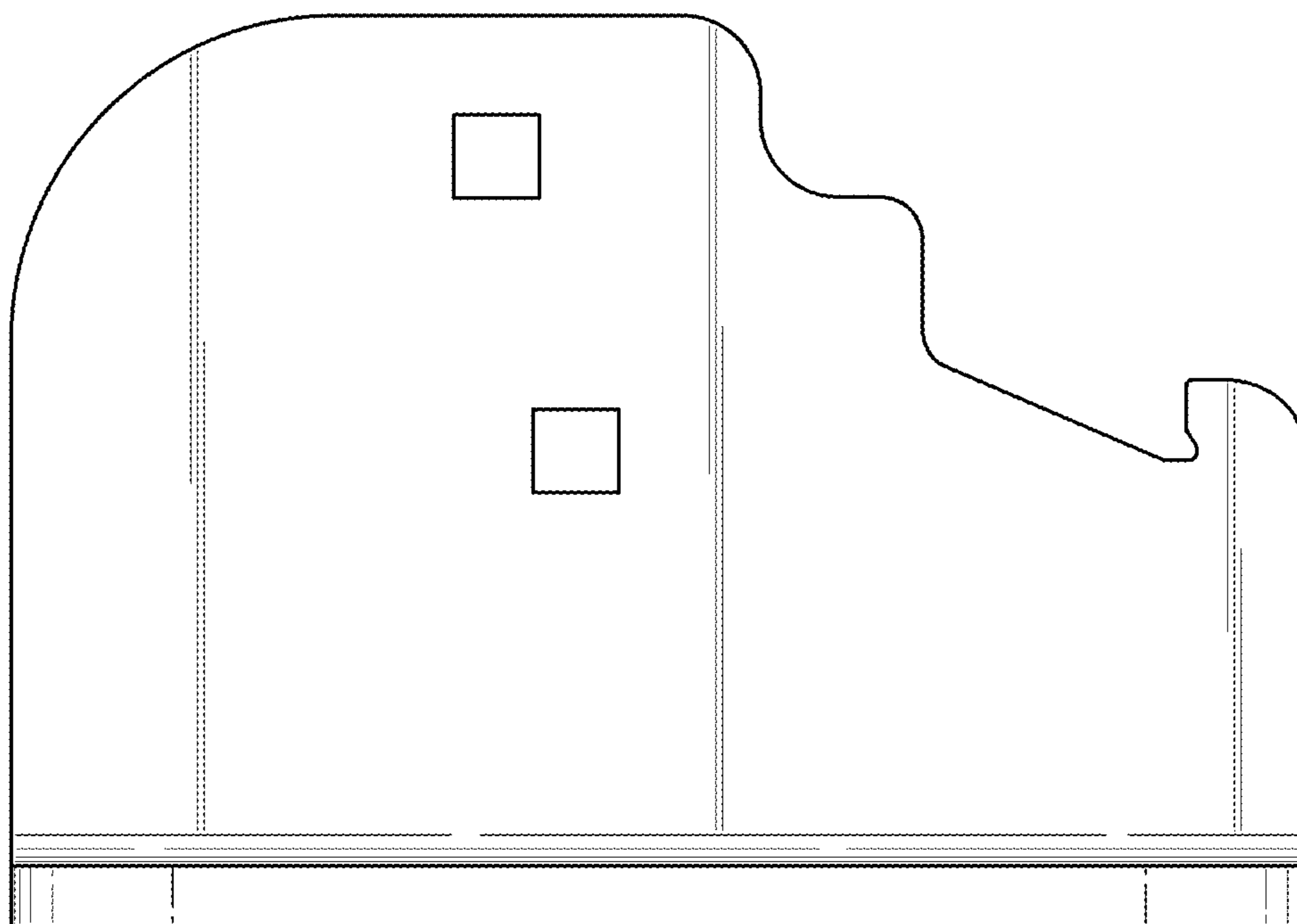


FIG. 4

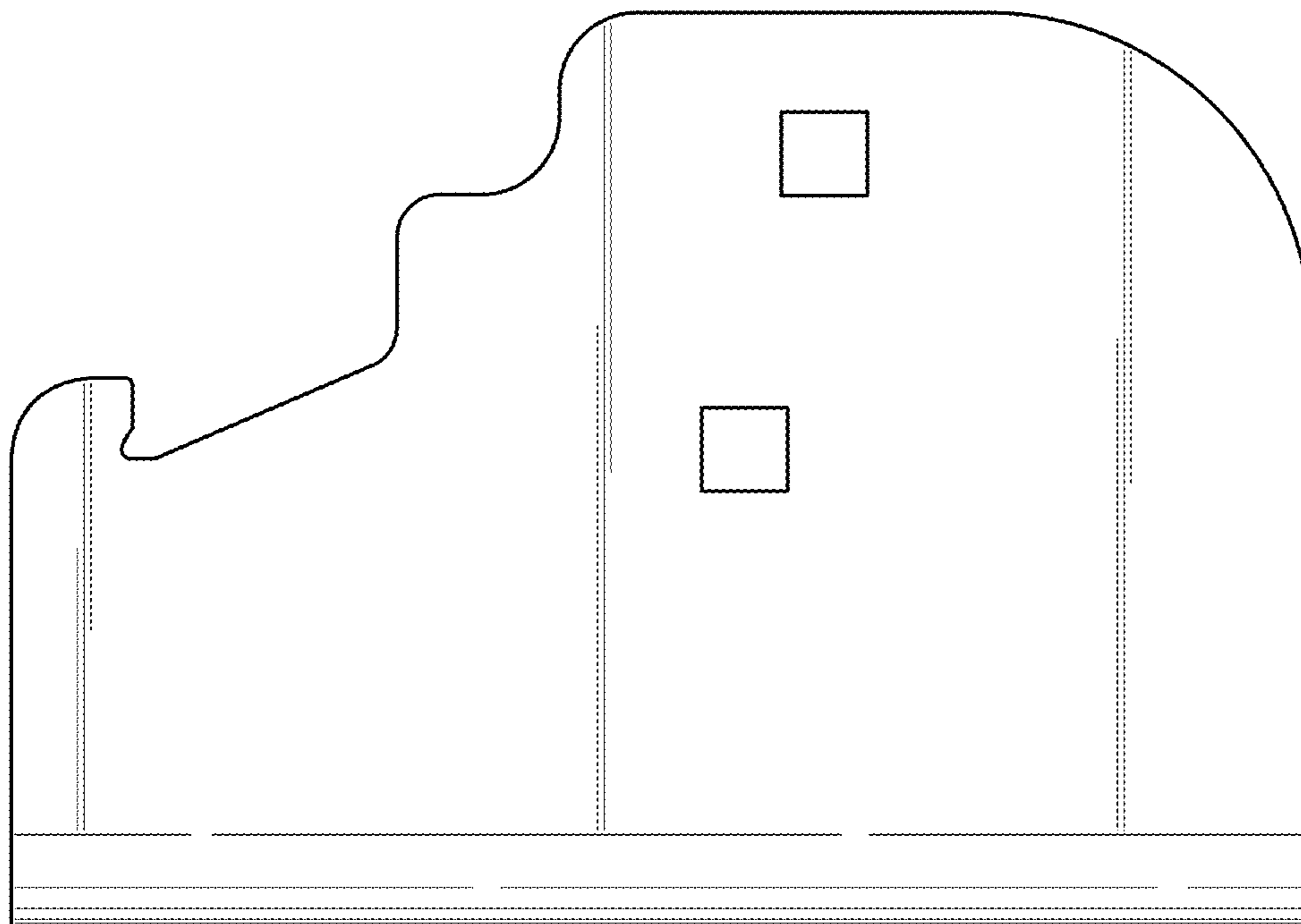


FIG. 5

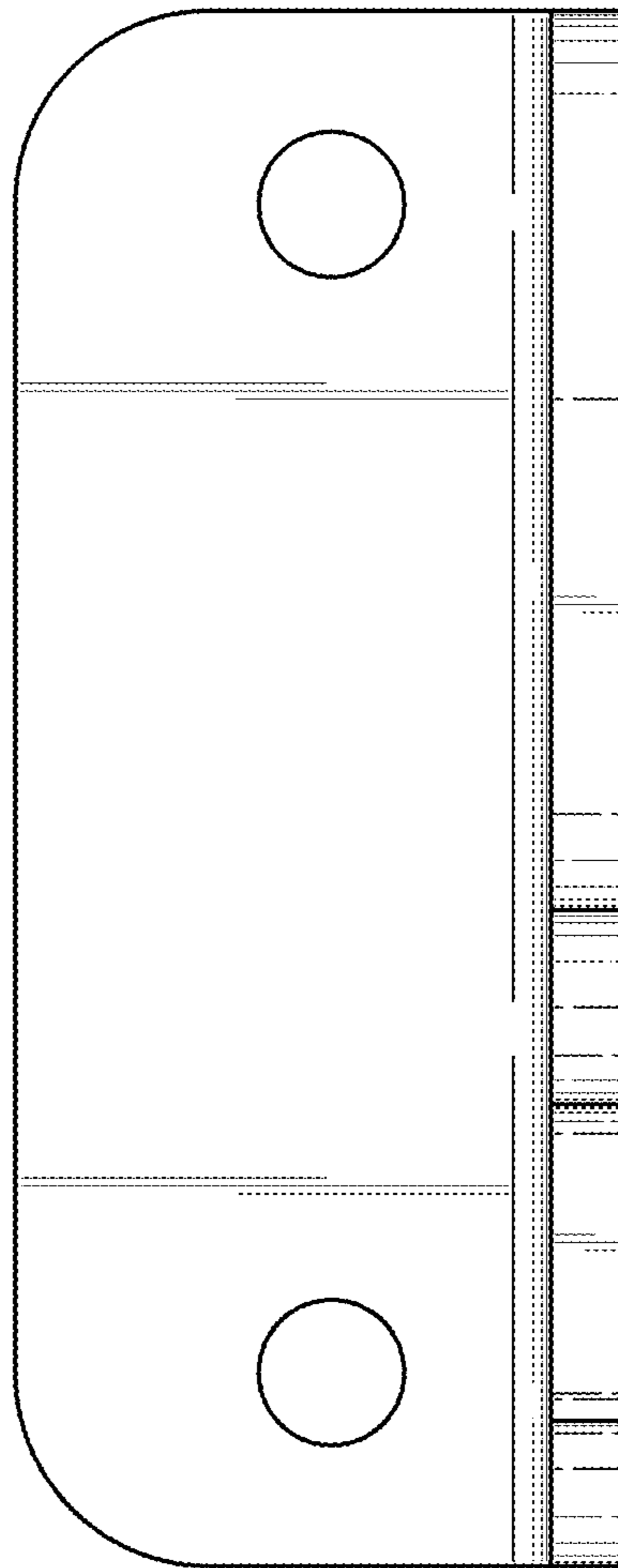


FIG. 6



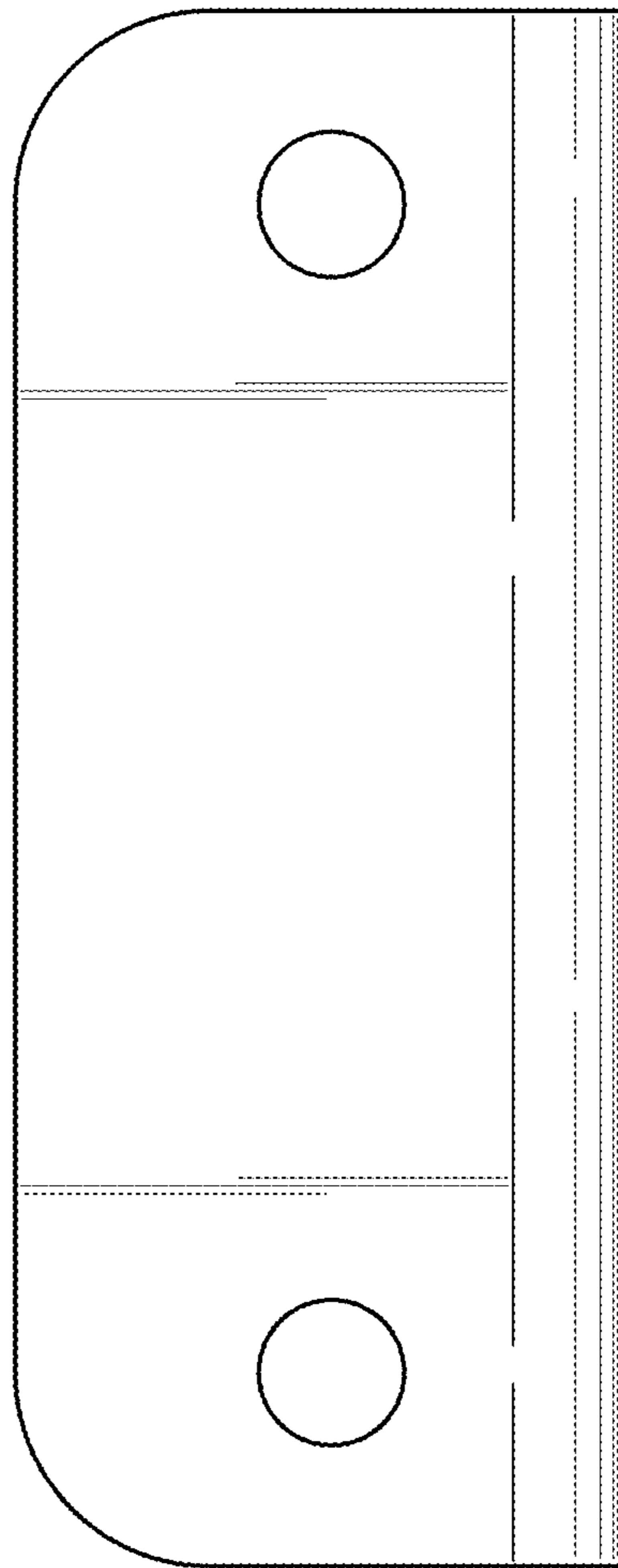


FIG. 7