



US00D939331S

(12) **United States Design Patent** (10) **Patent No.:** **US D939,331 S**
Comalander (45) **Date of Patent:** **** Dec. 28, 2021**

(54) **WEDGE BLOCK FOR A PIPE SUPPORT SYSTEM**

(71) Applicant: **Comalander Fabrication and Services, LLC**, Beaumont, TX (US)

(72) Inventor: **Christopher R. Comalander**, Beaumont, TX (US)

(73) Assignee: **Comalander Fabrication and Services, LLC**, Beaumont, TX (US)

(**) Term: **15 Years**

(21) Appl. No.: **29/688,074**

(22) Filed: **Apr. 18, 2019**

(51) **LOC (13) Cl.** **08-05**

(52) **U.S. Cl.**
USPC **D8/380**

(58) **Field of Classification Search**
USPC ... D8/380, 349, 354-355, 382-383, 394, 74, D8/345; D32/25, 67; D25/59, 61-62, D25/66-67, 126-127, 133-134
CPC F16L 3/02; F16L 1/0246; F16L 1/0243; F16L 1/10; F16L 3/00; F16L 3/1218; F16L 3/2235; F16L 3/26
See application file for complete search history.

(56) **References Cited**

U.S. PATENT DOCUMENTS

- 5,002,478 A * 3/1991 Lupke B29C 49/0021 425/325
- D447,815 S * 9/2001 O'Brien D25/56
- D452,328 S * 12/2001 O'Brien D25/56
- 7,090,173 B2 8/2006 Lussier
- D589,337 S * 3/2009 Karlsson D8/394
- D600,829 S * 9/2009 Munakata D25/126
- D600,831 S * 9/2009 Munakata D25/126
- D634,445 S * 3/2011 Mason D25/56
- D676,576 S * 2/2013 Oetlinger D25/121
- 8,807,492 B2 8/2014 Lake

- D715,339 S * 10/2014 Oetlinger D15/138
- D751,884 S * 3/2016 Morris D8/349
- D755,043 S * 5/2016 Bailey D8/394
- D758,834 S * 6/2016 Tally D8/380
- D761,096 S * 7/2016 Pace D8/382
- D761,641 S * 7/2016 Pace D8/382
- D763,067 S * 8/2016 Monsees D8/382
- D768,843 S * 10/2016 Honeyball D23/386

(Continued)

OTHER PUBLICATIONS

AL Shim for 2.5, Date Visited: Apr. 9, 2021, rukse, Date Available: Apr. 9, 2021, [https://www.rukse.com/shop-full-width/jop-parts/xj/jop-rk3102/\(Year: 2021\).*](https://www.rukse.com/shop-full-width/jop-parts/xj/jop-rk3102/(Year: 2021).*)

(Continued)

Primary Examiner — Susan Bennett Hattan

Assistant Examiner — Elizabeth S Ko

(74) *Attorney, Agent, or Firm* — Peter L. Brewer; Thrive IP

(57) **CLAIM**

The ornamental design for a wedge block for a pipe support system, as shown and described.

DESCRIPTION

FIG. 1 is a perspective view of a wedge block for a pipe support system, showing my new design.

FIG. 2 is a second perspective view of the wedge block for a pipe support system of FIG. 1.

FIG. 3 is a front plan view thereof.

FIG. 4 is a rear plan view thereof.

FIG. 5 is a right side elevation view thereof.

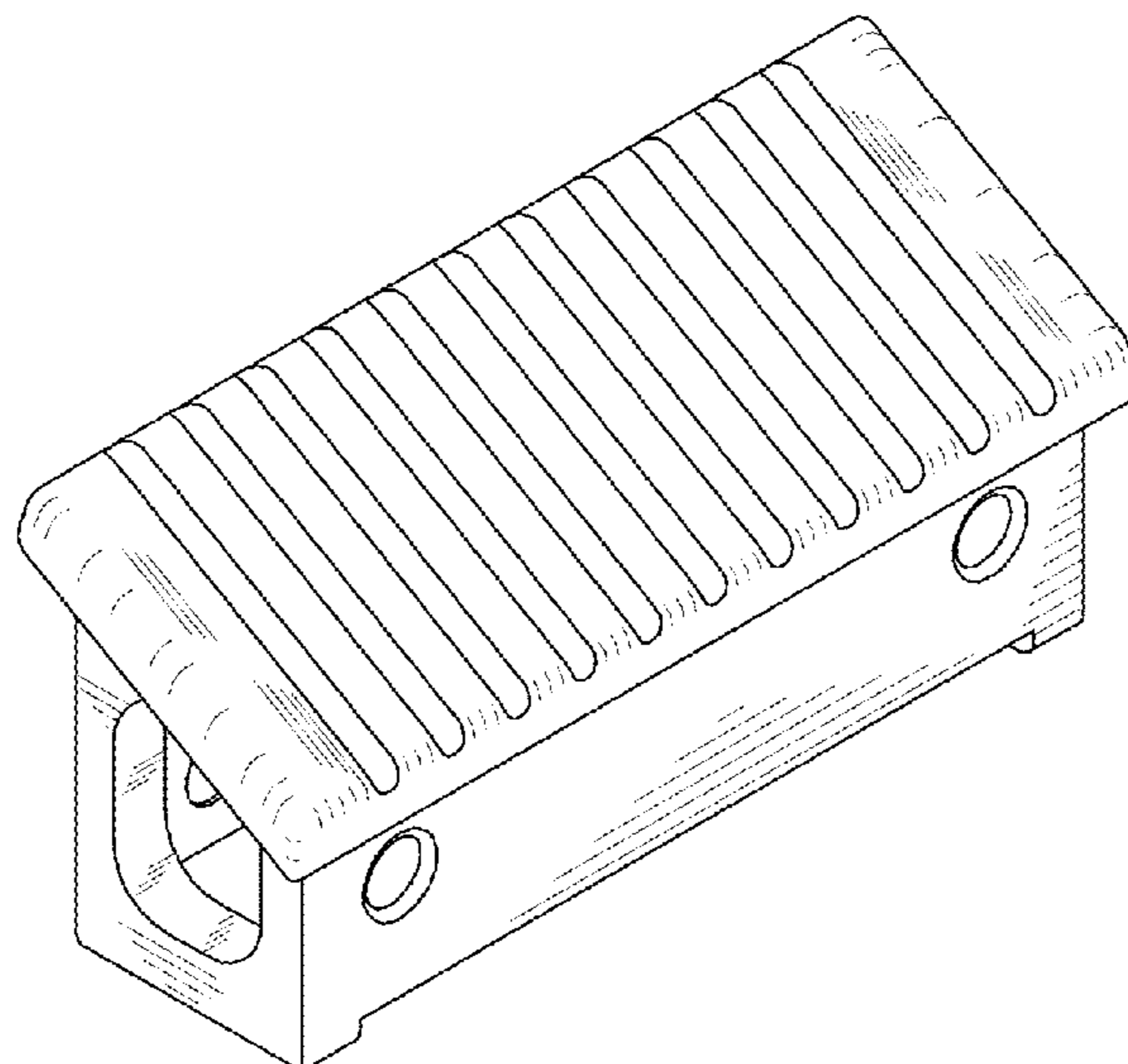
FIG. 6 is a left side elevation view thereof.

FIG. 7 is a top plan view thereof; and,

FIG. 8 is a bottom plan view thereof.

The broken lines in the drawings depict portions of the wedge block for a pipe support system that form no part of the claimed designs.

1 Claim, 4 Drawing Sheets



(56)

References Cited

U.S. PATENT DOCUMENTS

D779,309 S * 2/2017 Morris D8/349
 D782,708 S * 3/2017 Key D25/133
 D810,008 S * 2/2018 Mollison D13/102
 D810,010 S * 2/2018 Rook D13/102
 D824,749 S * 8/2018 Wright D8/354
 D826,694 S * 8/2018 Templeman D8/354
 10,221,968 B2 3/2019 Haynes et al.
 10,274,111 B2 4/2019 Breda
 D882,118 S * 4/2020 Noe D25/56
 D883,774 S * 5/2020 Comalander D8/380
 D915,186 S * 4/2021 Barker D8/382
 2018/0277285 A1 9/2018 Stilwell et al.
 2020/0018424 A1 * 1/2020 Comalander F16L 3/20
 2021/0010616 A1 * 1/2021 Comalander B23K 37/0426
 2021/0071784 A1 * 3/2021 Dodge F16L 3/13

OTHER PUBLICATIONS

Candy Color Blue and Pink Silicone Washboard, Date Visited: Apr. 9, 2021, rukse, Date Available: Dec. 2, 2016, <https://www.amazon.com>.

[co.uk/AKOAK-Silicone-Washboard-Creative-Handheld/dp/B01N9CY36Y](https://www.amazon.com/UKOAK-Silicone-Washboard-Creative-Handheld/dp/B01N9CY36Y) (Year: 2016).*

Pipe-hanger-and-supports-catalog, Date Visited: Apr. 9, 2021, Eaton, Date Available: 2019, Pipe hangers & supports B-line series Catalog, p. 17 (Year: 2019).*

Screen Shot of Grainger Pipe Support Block; Accessed Mar. 2019; https://www.grainger.com/product/15E509?cm_sp=Product_Details--Products_Based_on_Your_Search--IDPPLARECS&cm_vc=IDPPLARECS.

Screen Shot of Ancoage Group Pipe Cradle; Accessed Mar. 2019; <https://zipleaf.auz.net/Companies/Ancoage-Group-Pipe-Supports/Article-Piping-Cradles>.

Screen Shot of EZ Line Pipe Clamp Shim Block Assy; Accessed Mar. 2019; <http://www.ezline.com/ezline-pipe-clamps-and-shim-block-assemblies/>.

Screen Shot of Precision Weld and Fabrication Shim Blocks; Accessed Mar. 2019; <http://weweld.com/pipe-clamps/>.

Screen Shot of PPSC Shim Block with Strap; Accessed Mar. 2019; <https://www.pipelinepsc.com/gsh-shim-block-with-strap>.

* cited by examiner

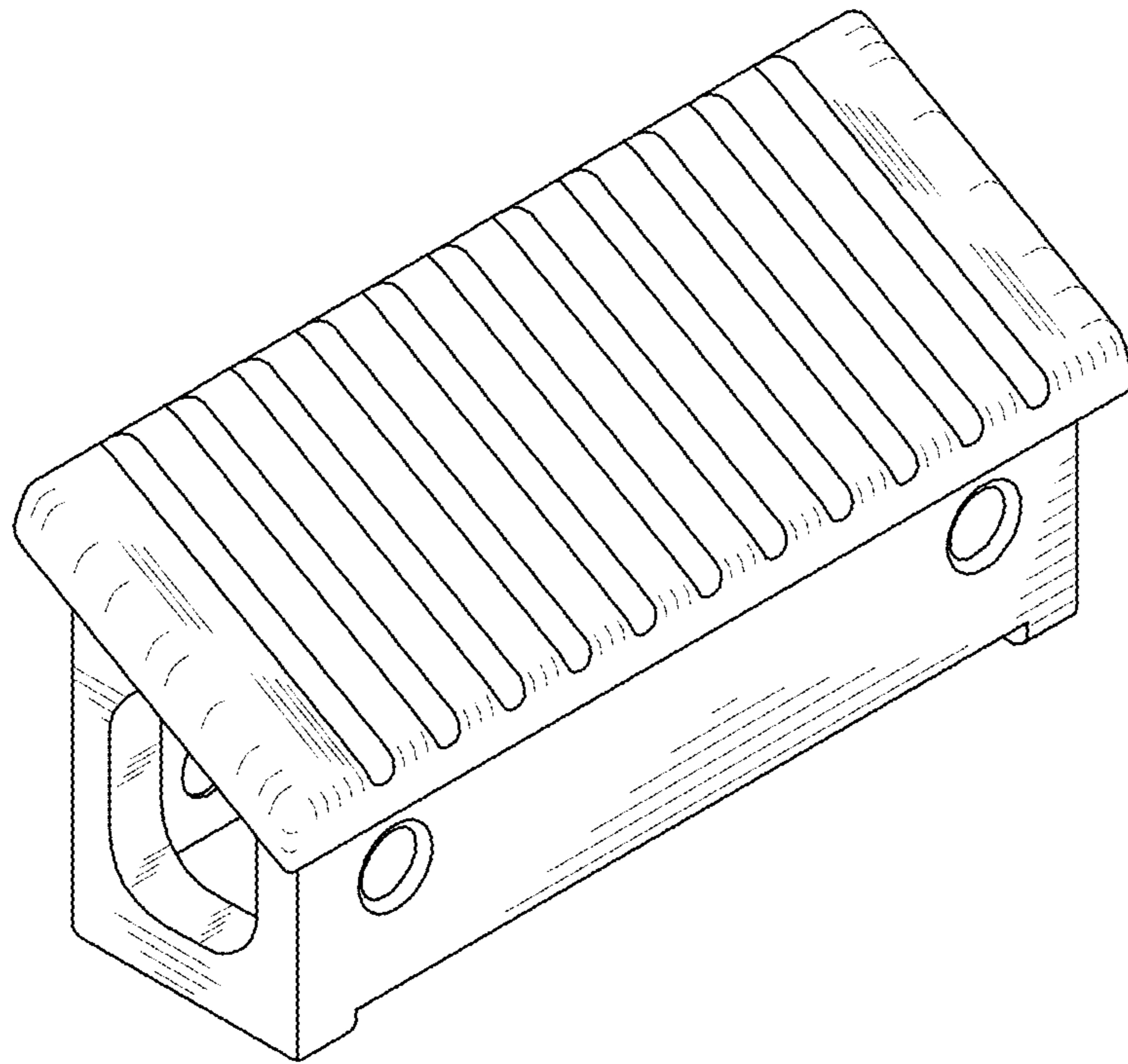


FIG. 1

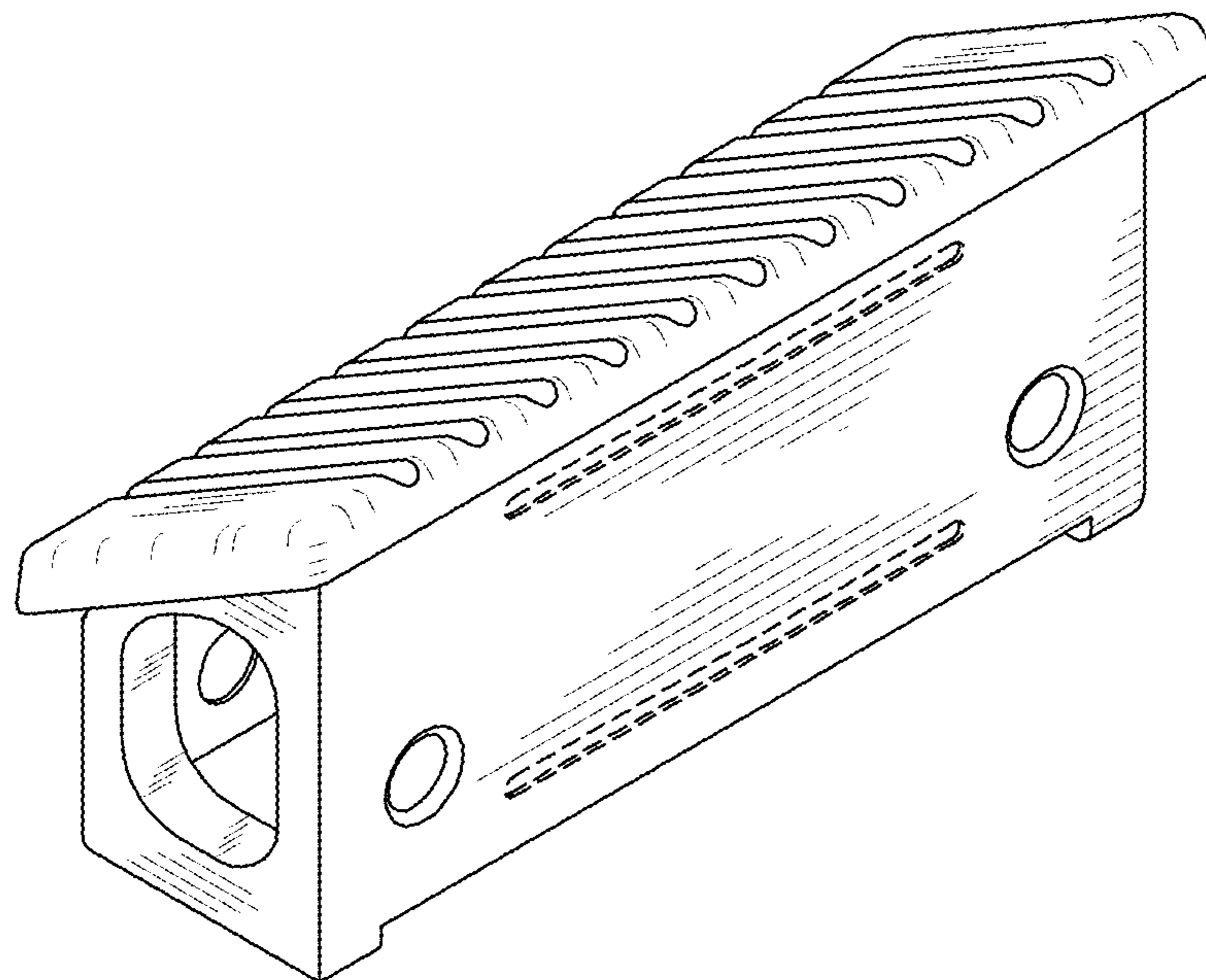


FIG. 2

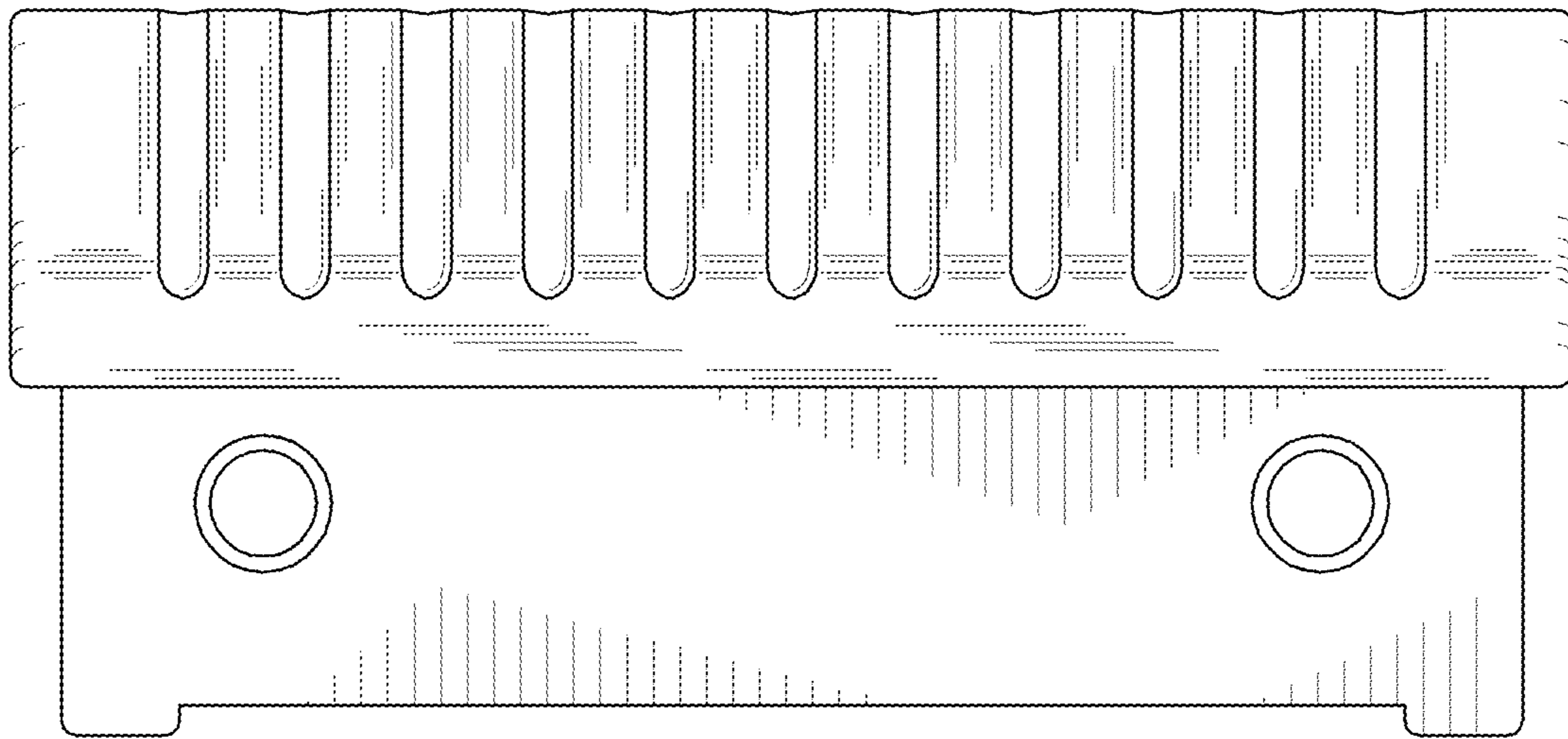


FIG. 3

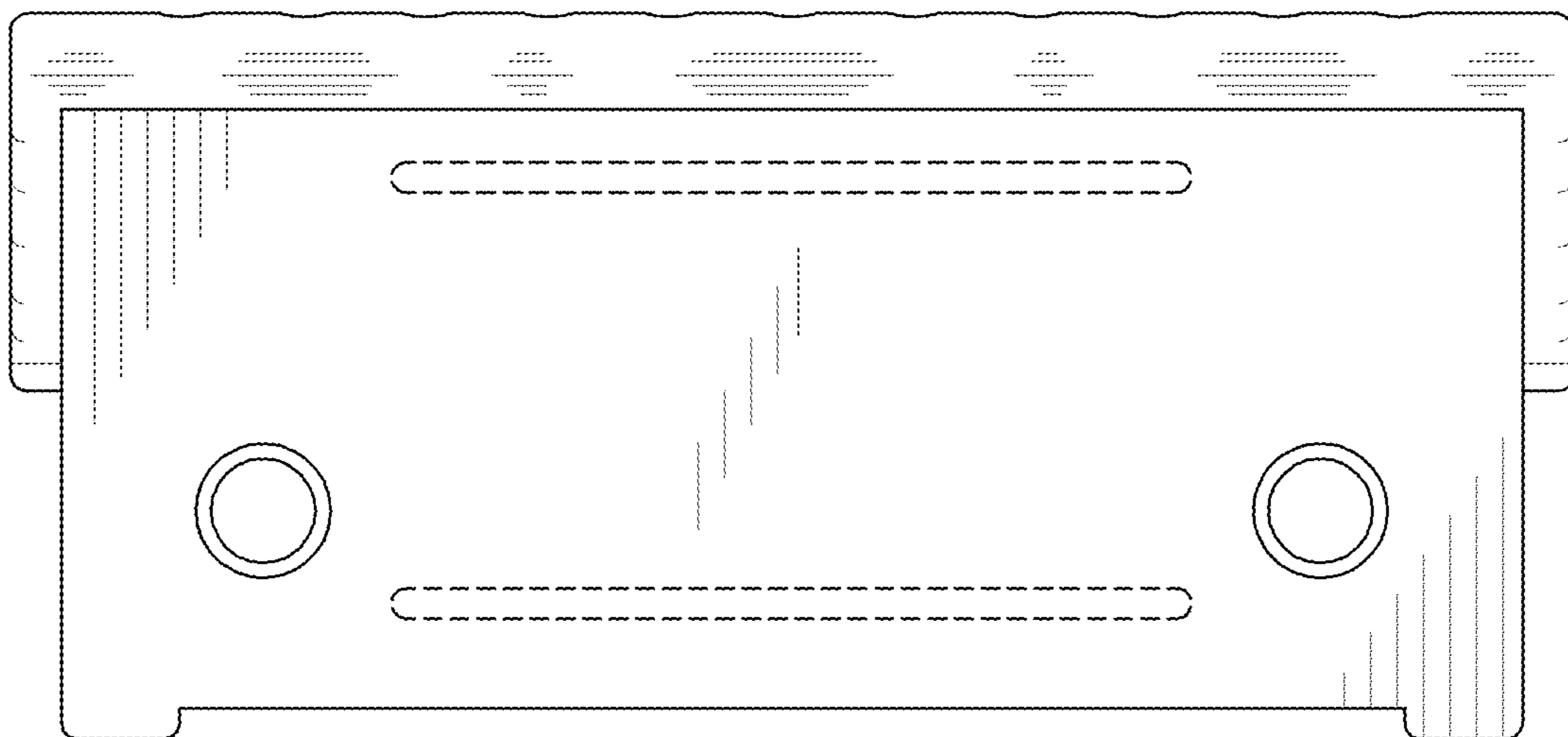


FIG. 4

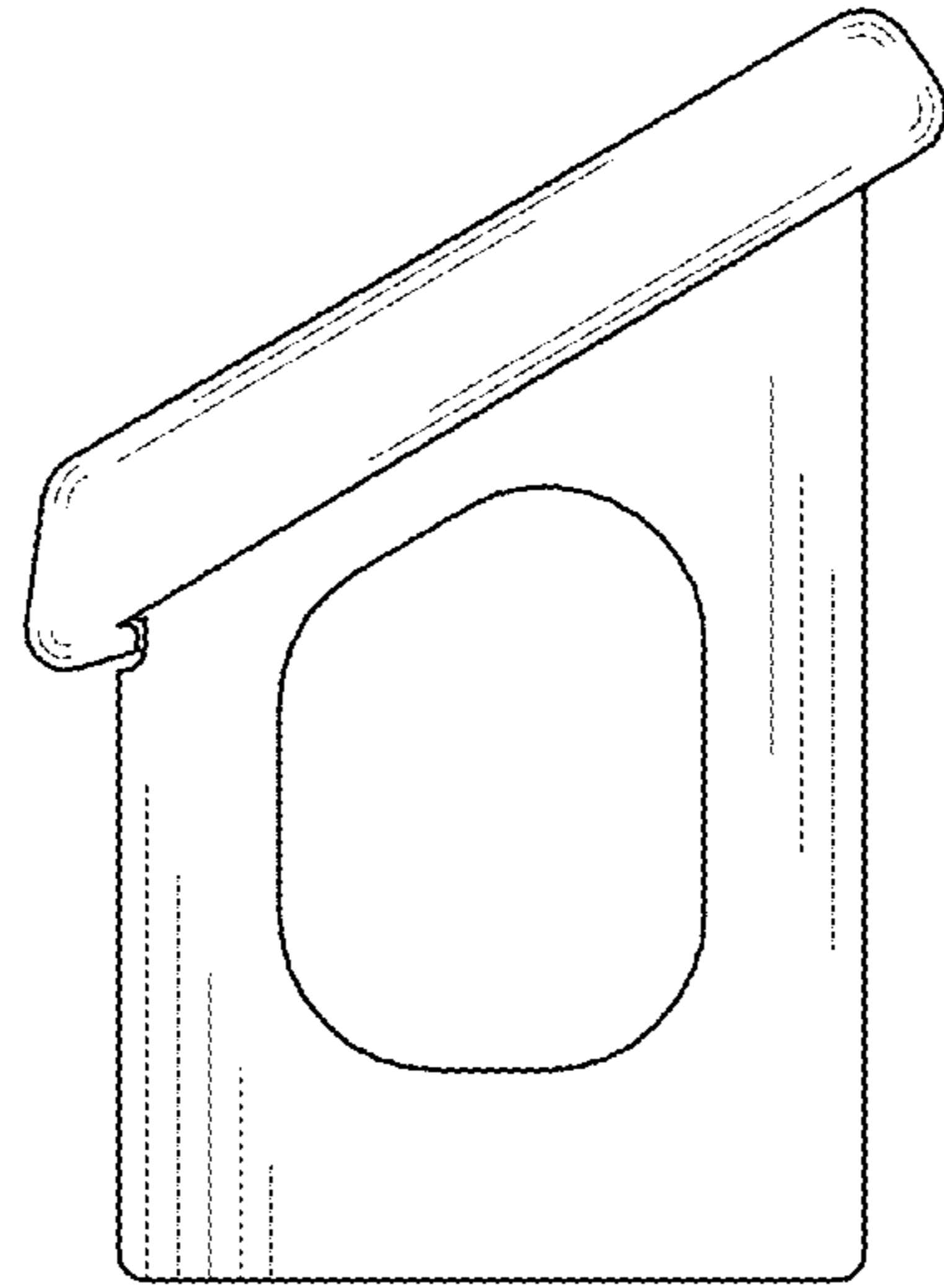


FIG. 5

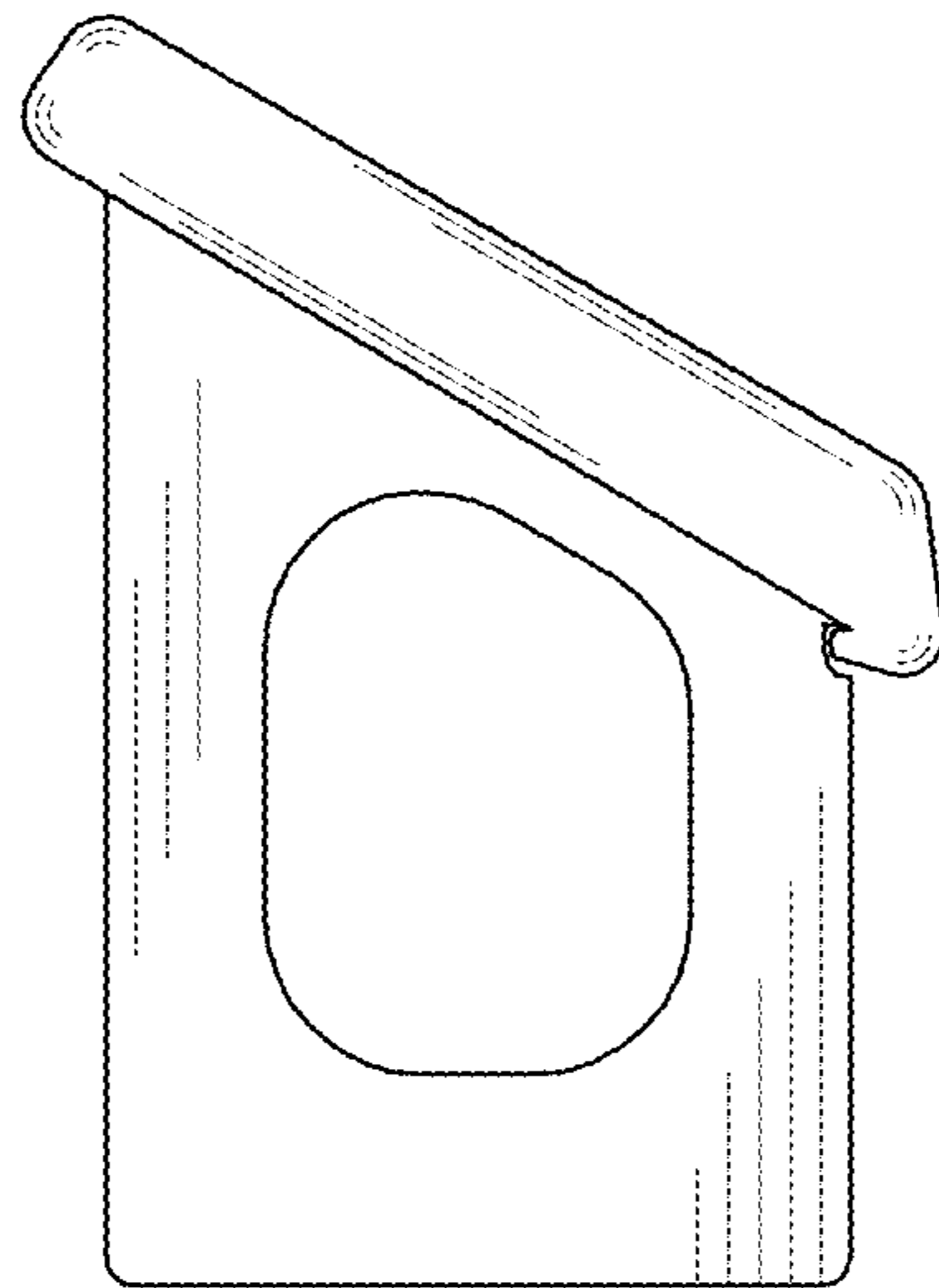


FIG. 6

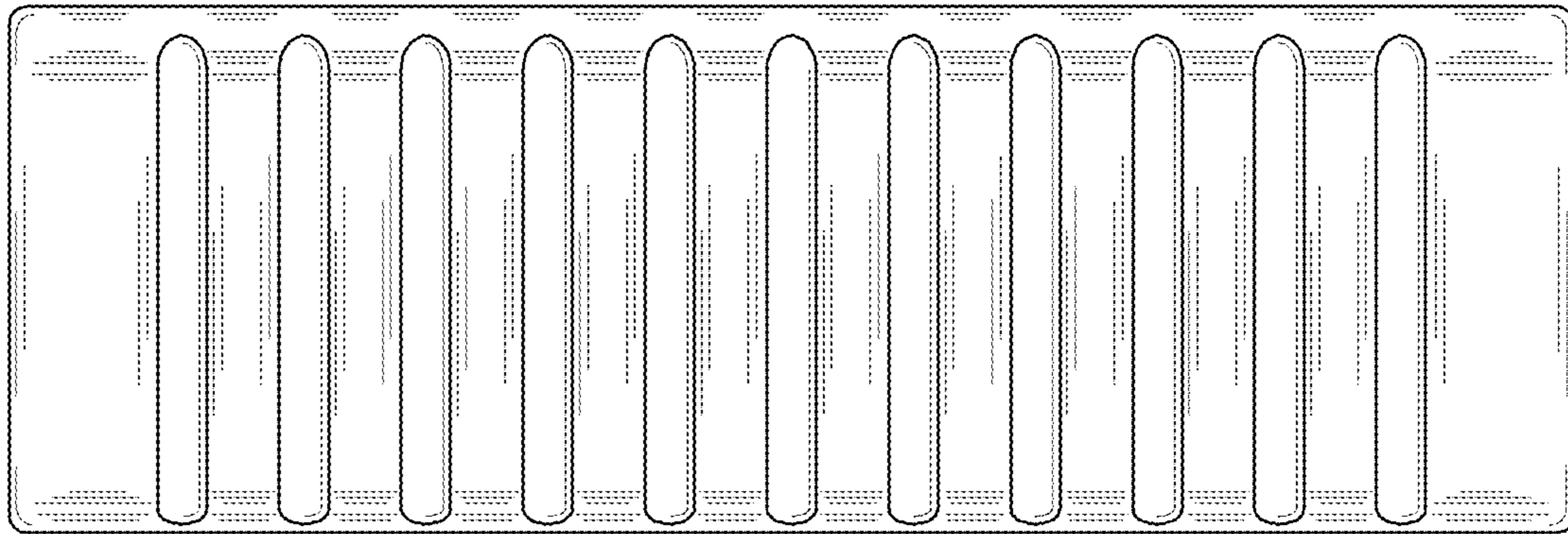


FIG. 7

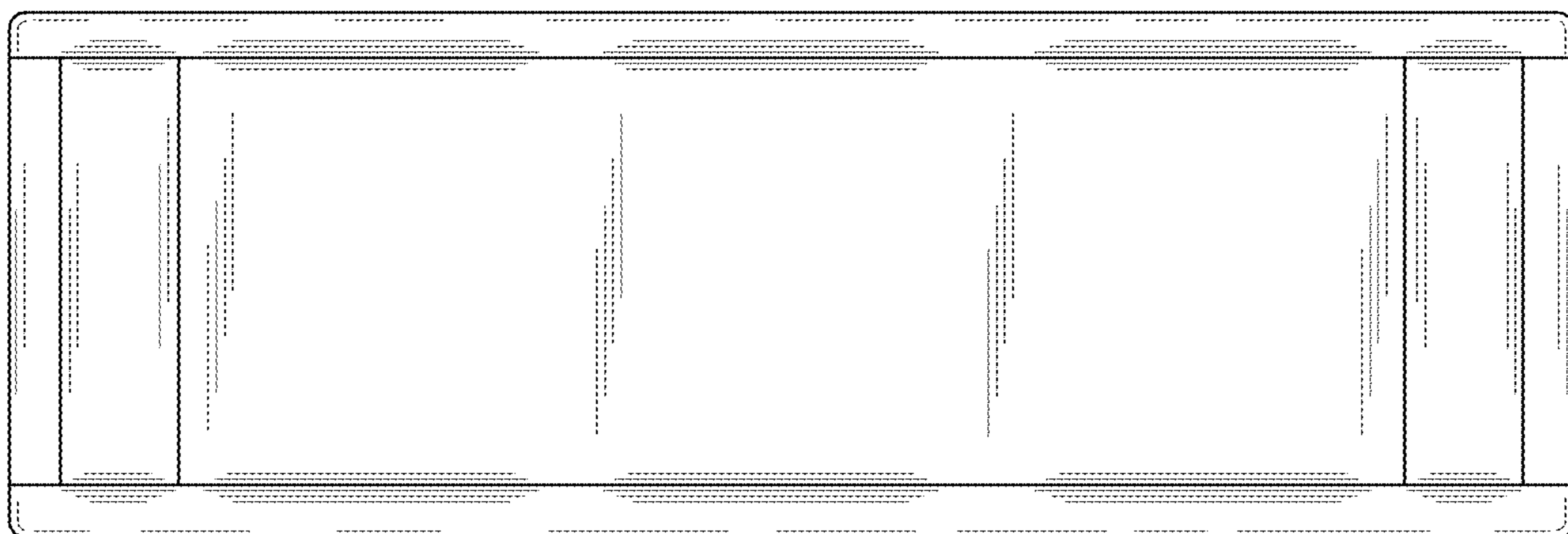


FIG. 8