



US00D939330S

(12) **United States Design Patent**  
**Zhou**

(10) **Patent No.:** **US D939,330 S**

(45) **Date of Patent:** **\*\* Dec. 28, 2021**

(54) **DOOR HOOK**

(71) Applicant: **Shenzhen Jinshun Fat Trade Co., Ltd,**  
Shenzhen (CN)

(72) Inventor: **Junhao Zhou,** Guangdong (CN)

(73) Assignee: **Shenzhen Jinshun Fat Trade Co., Ltd,**  
Shenzhen (CN)

(\*\*) Term: **15 Years**

(21) Appl. No.: **29/753,789**

(22) Filed: **Oct. 1, 2020**

(51) **LOC (13) Cl.** ..... **08-05**

(52) **U.S. Cl.**  
USPC ..... **D8/367**

(58) **Field of Classification Search**  
USPC ..... D8/367, 354, 349, 373; D6/323;  
248/301-304, 339  
CPC ..... A47G 1/00; A47G 25/00  
See application file for complete search history.

(56) **References Cited**

U.S. PATENT DOCUMENTS

2,679,998	A *	6/1954	Keller	.....	F16B 47/003 248/205.3
2,765,998	A *	10/1956	Engert	.....	A47G 1/17 248/467
D212,553	S *	10/1968	Ye	.....	D8/367
3,637,181	A *	1/1972	Janssen	.....	A47G 1/17 248/205.3
4,003,538	A *	1/1977	Frye	.....	B32B 27/304 248/544
4,756,498	A *	7/1988	Frye	.....	A47G 1/17 248/205.3
5,121,896	A *	6/1992	Frye	.....	F16B 47/003 248/205.3

D327,641	S *	7/1992	Hoskinson	.....	D8/367
D356,941	S *	4/1995	Reddick	.....	D8/367
D374,602	S *	10/1996	Protz, Jr.	.....	D8/367
D473,452	S	4/2003	Knapp		
D616,232	S	5/2010	Guindi		
D658,029	S *	4/2012	Fulkerson	.....	D8/307
D670,997	S *	11/2012	Thompson	.....	D8/367
D761,093	S *	7/2016	Liu	.....	D8/367
D811,201	S *	2/2018	Berger	.....	D8/367
D811,862	S *	3/2018	Berger	.....	D8/367
D812,454	S *	3/2018	Berger	.....	D8/367
D818,353	S *	5/2018	Sacks	.....	D8/367
D821,184	S *	6/2018	Berger	.....	D8/367
D842,083	S *	3/2019	Thompson	.....	D8/367
D864,697	S *	10/2019	Gnocchini	.....	D8/367
D867,771	S *	11/2019	Zhong	.....	D6/323
D879,596	S *	3/2020	Li	.....	D8/367
10,842,304	B2 *	11/2020	Ye	.....	A47G 29/087
D918,698	S *	5/2021	Man	.....	D8/367

\* cited by examiner

Primary Examiner — Cynthia R Underwood

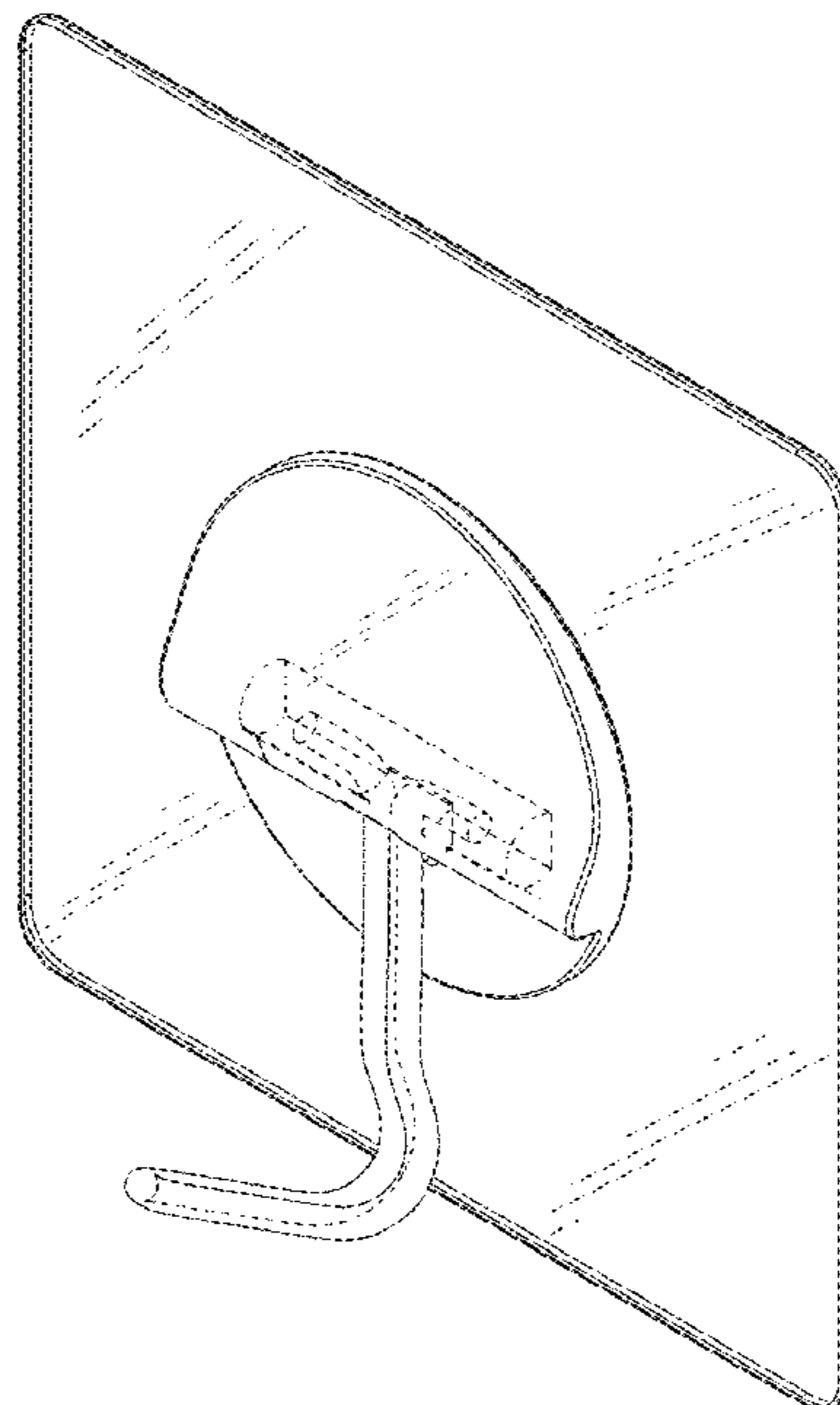
(57) **CLAIM**

The ornamental design for a door hook, as shown and described.

**DESCRIPTION**

FIG. 1 is a perspective view of a door hook showing my new design;  
FIG. 2 is an alternative perspective view thereof;  
FIG. 3 is a top plan view thereof;  
FIG. 4 is a bottom plan view thereof;  
FIG. 5 is a left side view thereof;  
FIG. 6 is a right side view thereof;  
FIG. 7 is a back view thereof; and,  
FIG. 8 is a front view thereof.  
The broken lines in the drawing depict environmental subject matter only and form no part of the claimed design.

**1 Claim, 8 Drawing Sheets**



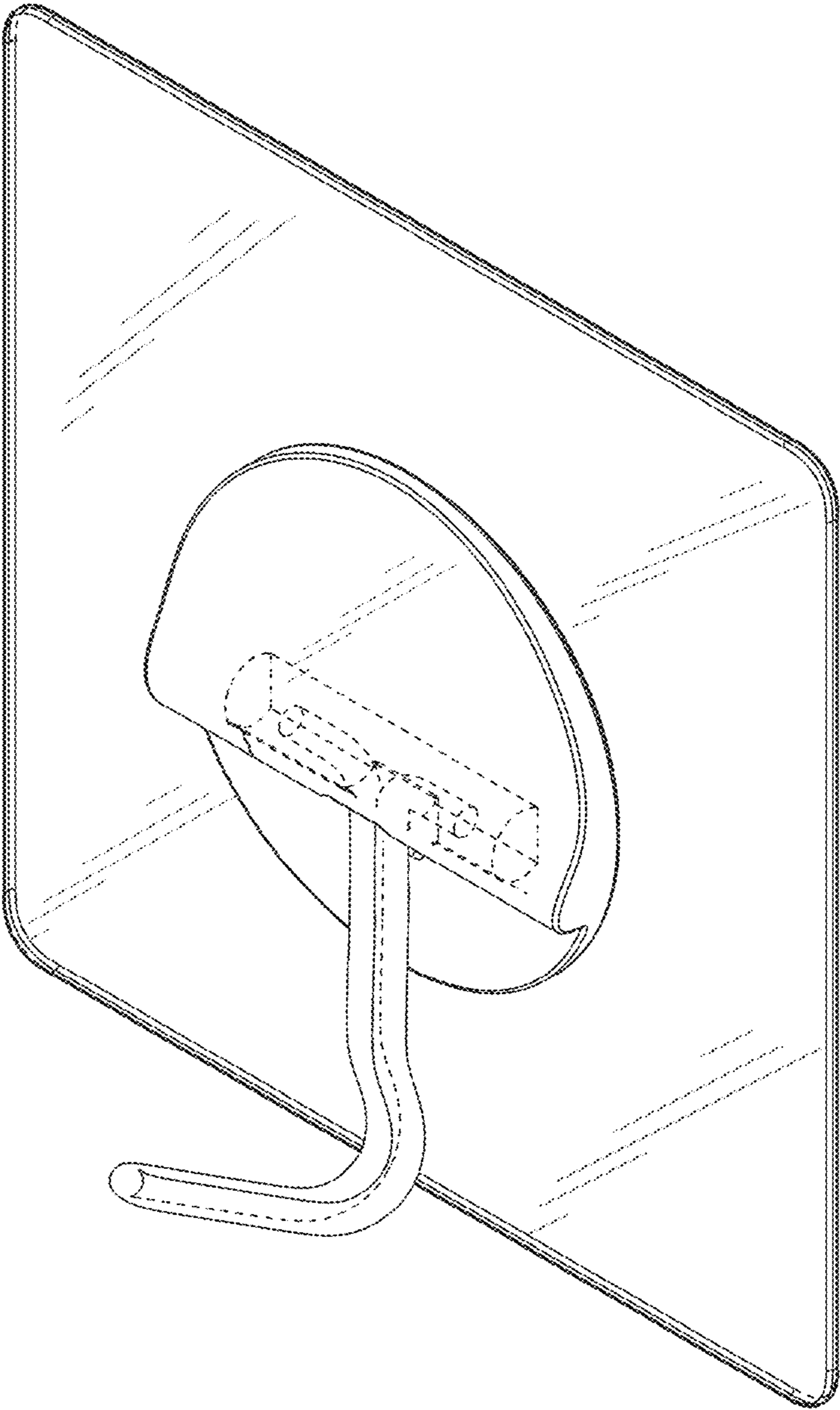


FIG. 1

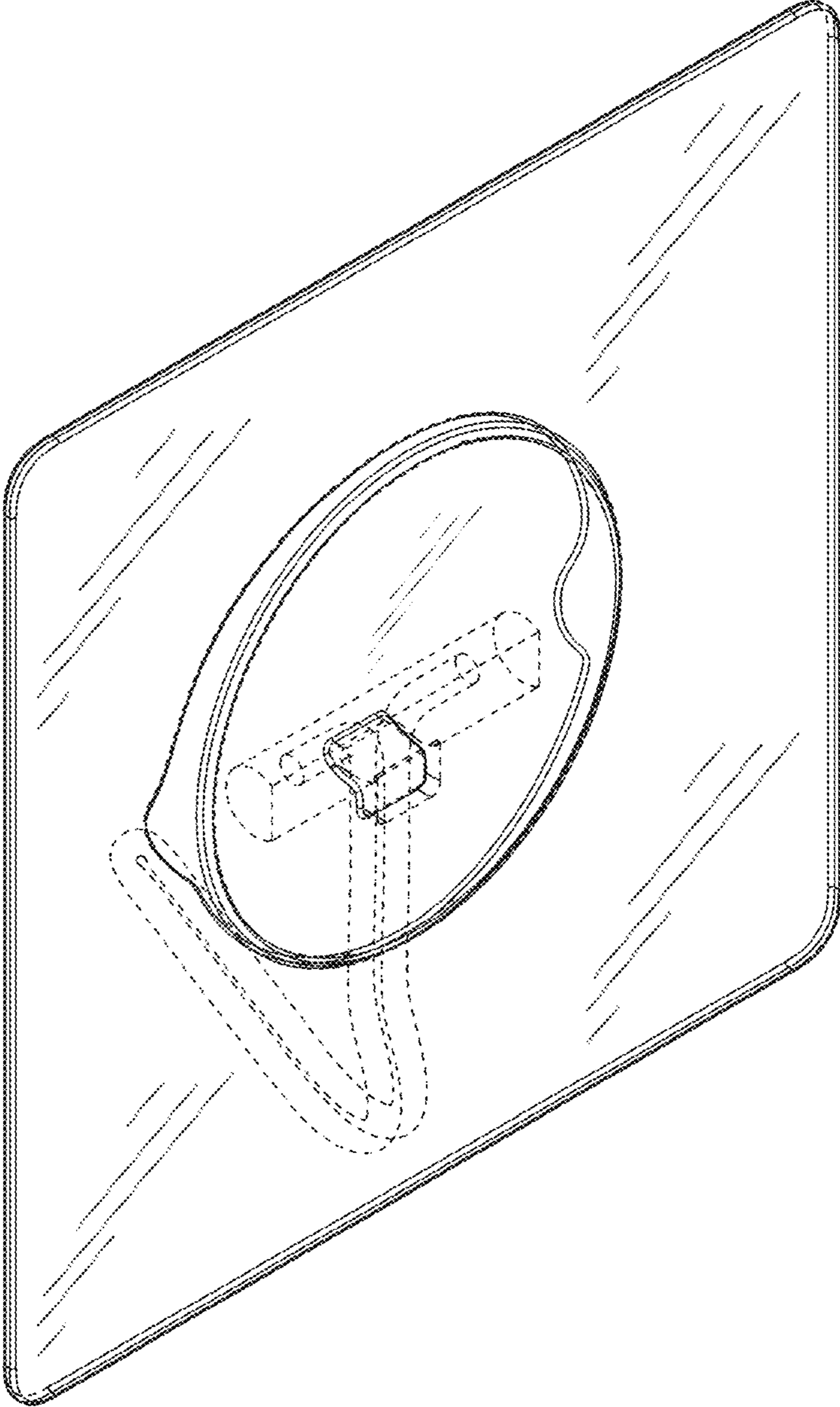


FIG. 2

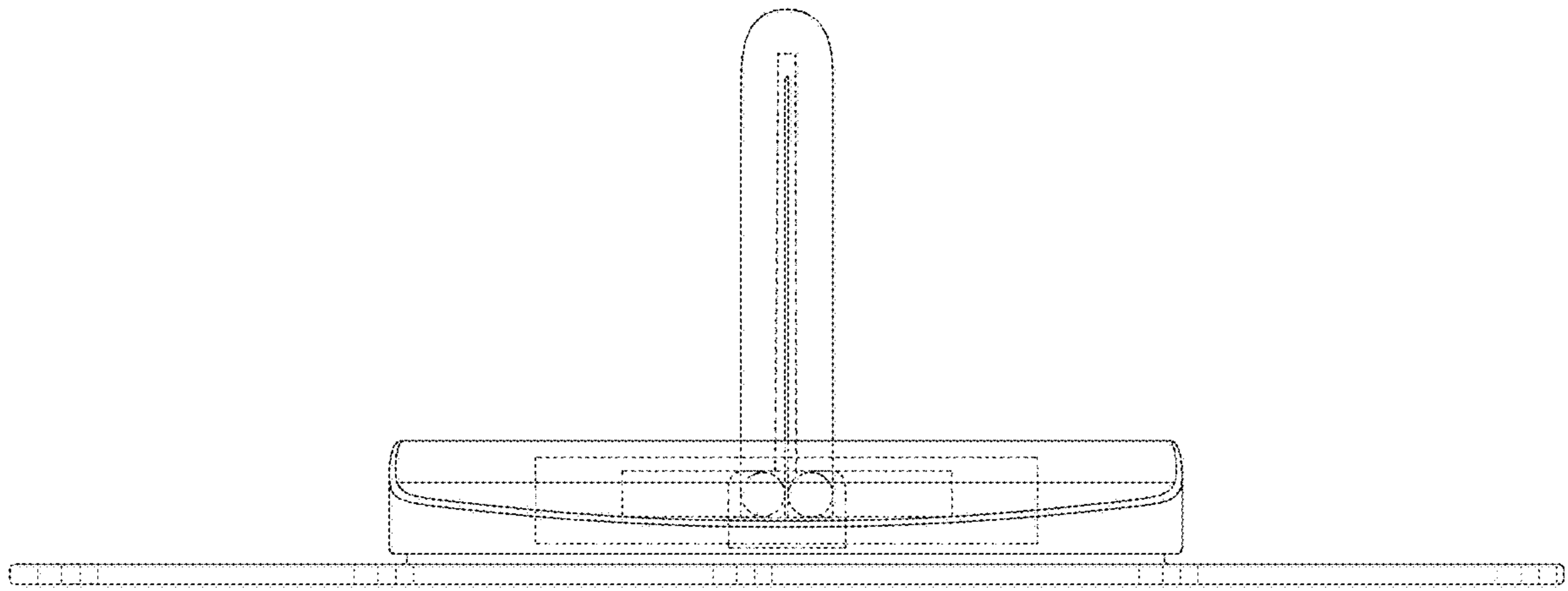


FIG. 3

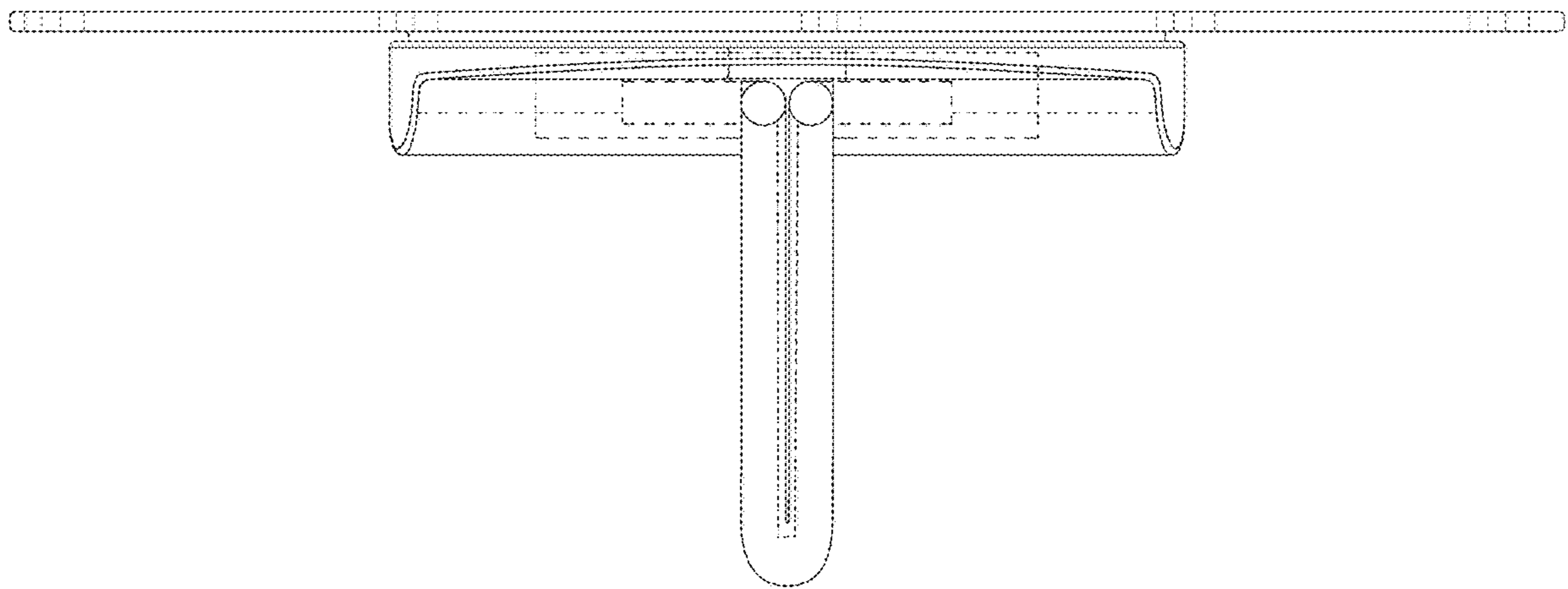


FIG. 4

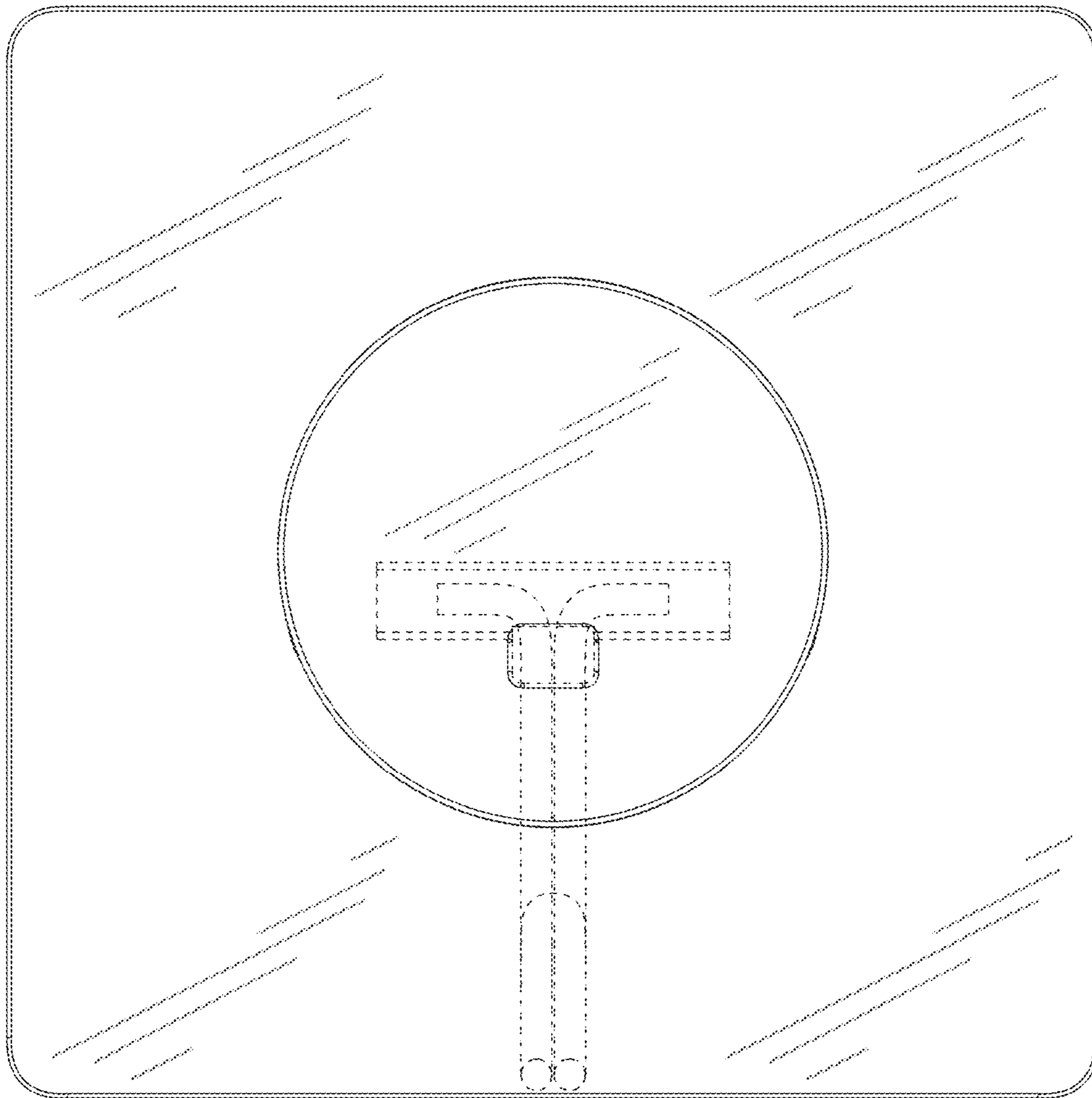


FIG. 5

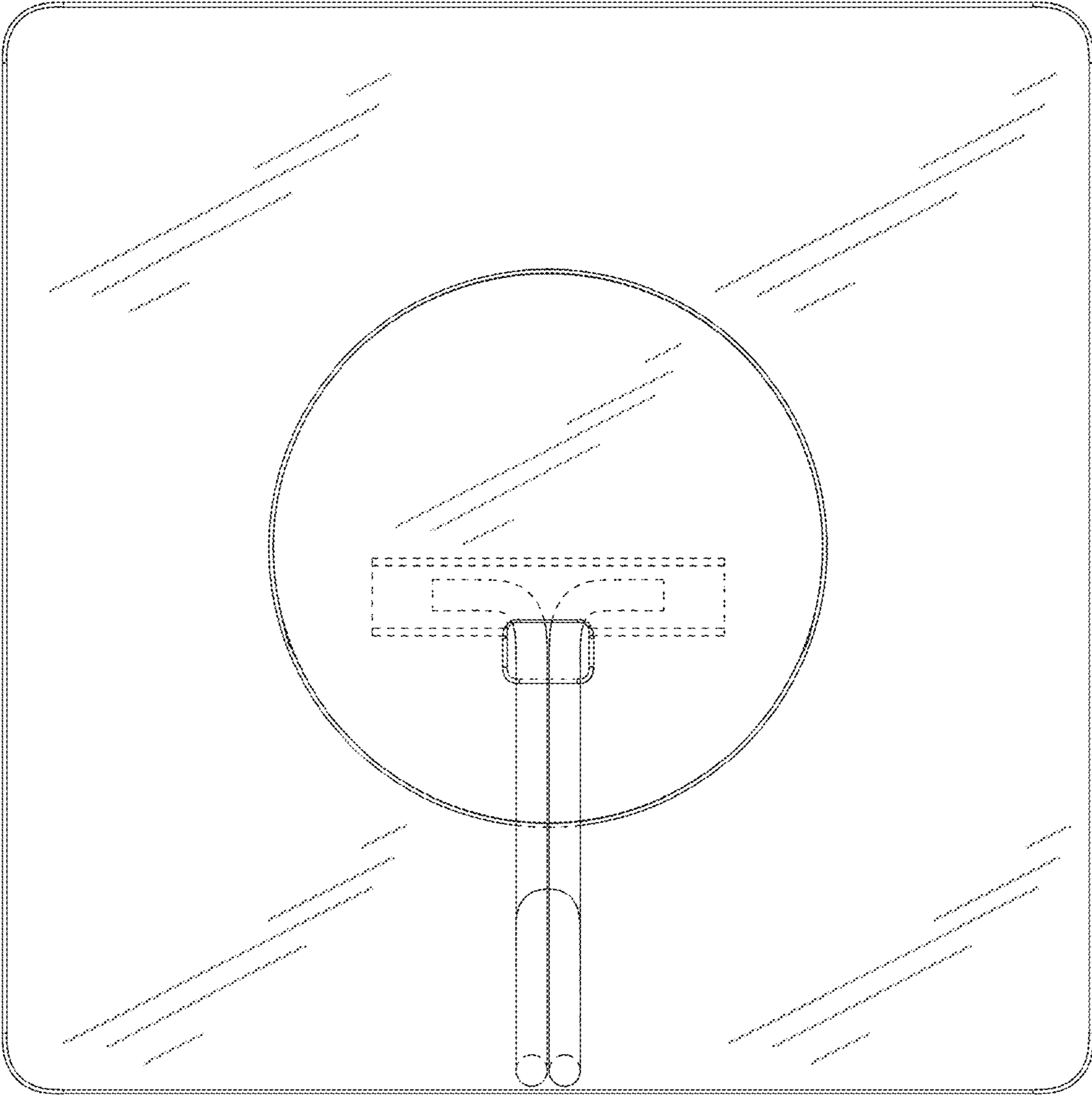


FIG. 6

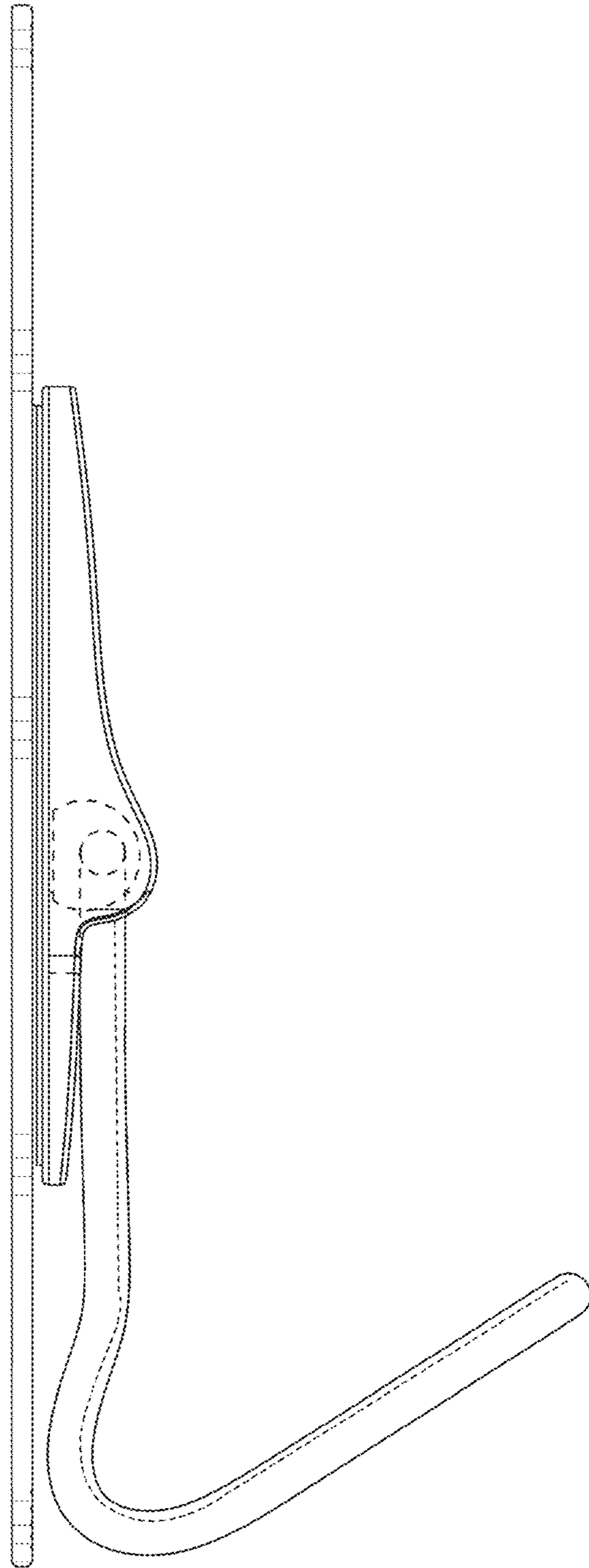


FIG. 7



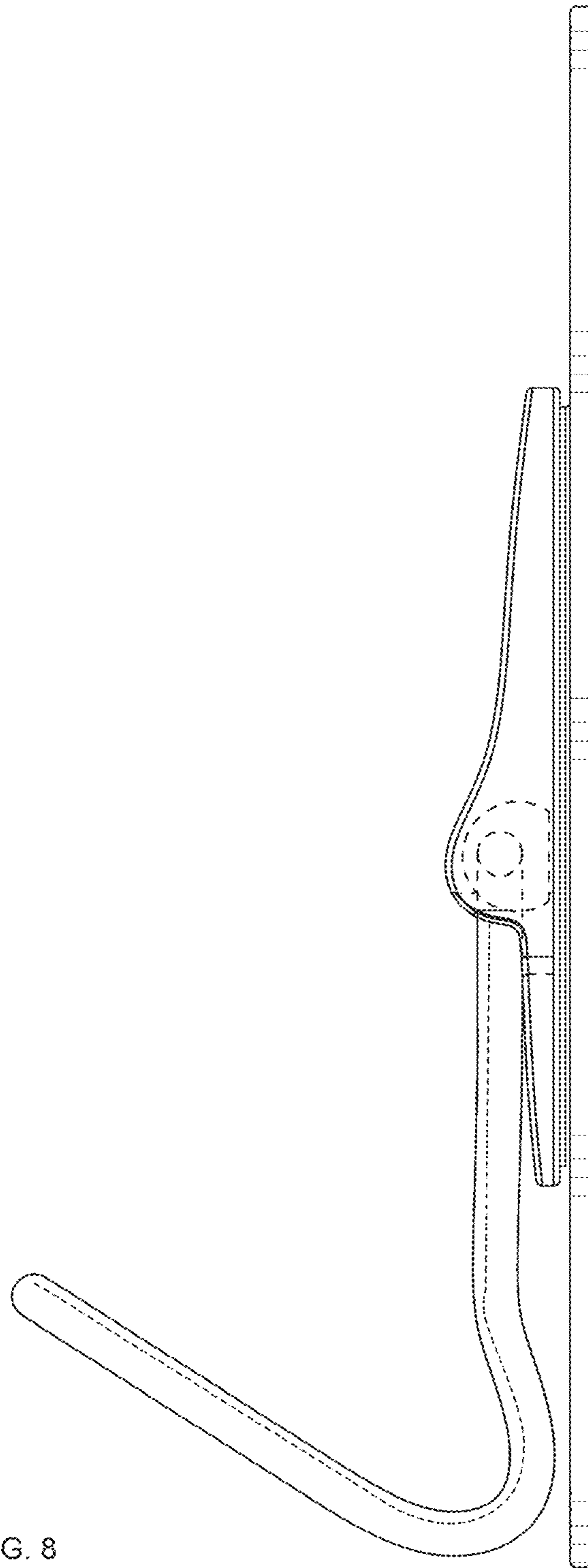


FIG. 8