



US00D939328S

(12) **United States Design Patent** (10) **Patent No.:** **US D939,328 S**
Grzybowski (45) **Date of Patent:** **** Dec. 28, 2021**

(54) **FOLDABLE WIRE CADDY**
(71) Applicant: **Dariusz Grzybowski**, Des Plains, IL (US)
(72) Inventor: **Dariusz Grzybowski**, Des Plains, IL (US)
(**) Term: **15 Years**
(21) Appl. No.: **29/671,771**
(22) Filed: **Nov. 29, 2018**
(51) **LOC (13) Cl.** **08-05**
(52) **U.S. Cl.**
USPC **D8/358**
(58) **Field of Classification Search**
USPC D8/358-359, 360.1, 363, 356, 373, 375, D8/380, 396; D6/518, 680.1
CPC B65H 2701/34; B65H 2701/33; B65H 75/4471; B65H 2701/32; B65H 2701/332; B65H 75/40; B65H 75/425; B65H 75/4481
See application file for complete search history.

(56) **References Cited**
U.S. PATENT DOCUMENTS
4,548,368 A * 10/1985 Tomlinson B65H 49/32 242/129.6
D347,950 S * 6/1994 Cisero D6/680.1
D359,899 S * 7/1995 Sauber D34/24
D367,575 S * 3/1996 Thompson D6/518
D415,952 S * 11/1999 Camilleri D6/566
6,086,013 A * 7/2000 Looney, Jr. B65H 49/321 242/129.5
6,375,115 B1 * 4/2002 Reed B25H 3/02 206/389
D460,910 S * 7/2002 Stafford D8/358
D566,529 S * 4/2008 Black D8/358
D585,728 S * 2/2009 Bertoni D8/358
D599,197 S * 9/2009 Hawley D8/358
D672,638 S * 12/2012 Wronski D8/380
D739,715 S * 9/2015 Gradwohl D8/356

D742,204 S * 11/2015 Fortier D8/358
D742,205 S * 11/2015 Fortier D8/358
D786,658 S * 5/2017 Garcia D8/358
2002/0185576 A1 * 12/2002 Harper E06C 7/14 248/210
2003/0234317 A1 * 12/2003 Burkitt B65H 49/32 242/594.5
2006/0000938 A1 * 1/2006 Miller B65H 59/04 242/422.1
2006/0086862 A1 * 4/2006 Konkel B65H 49/327 242/594.5
2010/0090053 A1 * 4/2010 Stiltner B65H 49/321 242/594.4

(Continued)

OTHER PUBLICATIONS

Portable Wire Spool Rack Reel, Date Visited: May 27, 2021, Store More Store, Date Available: May 27, 2021, <https://www.storemorestore.com/Portable-Wire-Spool-Rack-Reel-Storage-Hand-Caddy-p/sms-62-psr2408.htm> (Year: 2021).
Primary Examiner — Karen S Acker
Assistant Examiner — Elizabeth S Ko

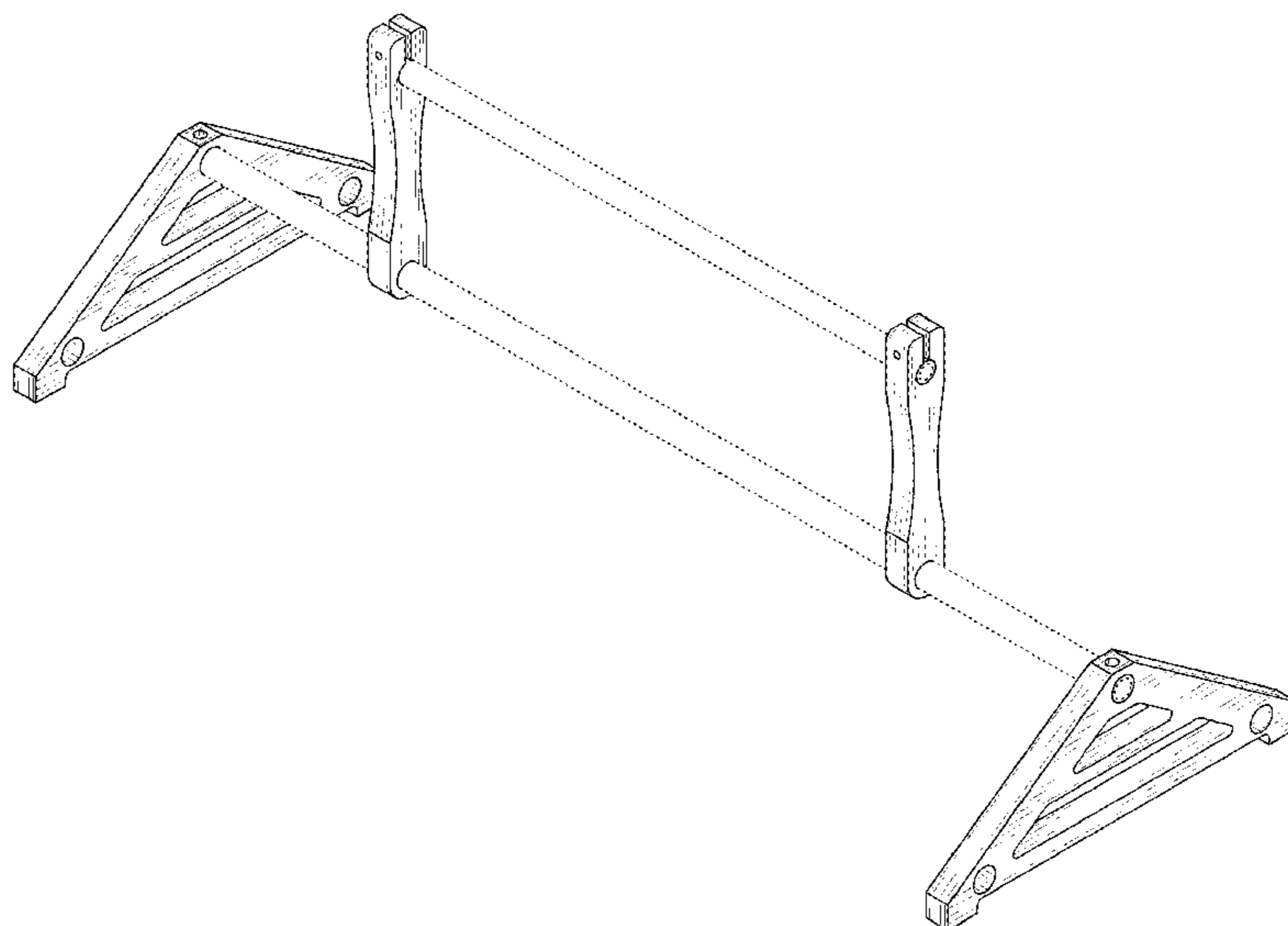
(57) **CLAIM**

The ornamental design for a foldable wire caddy, as shown and described.

DESCRIPTION

FIG. 1 is a perspective view of a foldable wire caddy showing my new design;
FIG. 2 is a front view thereof, where the front view mirrors the rear view;
FIG. 3 is a right view thereof, where the left view mirrors the right view;
FIG. 4 is a bottom view thereof; and,
FIG. 5 is a top view thereof.
The broken lines in the drawings depict axles that form no part of the claimed design.

1 Claim, 5 Drawing Sheets



(56)

References Cited

U.S. PATENT DOCUMENTS

2015/0321876 A1* 11/2015 Galindo Gonzalez
B65H 75/40
242/611
2017/0022026 A1* 1/2017 Chapa B65H 75/4492
2018/0134513 A1* 5/2018 Gordon B65H 49/205
2019/0185288 A1* 6/2019 Hawkins B65H 49/325
2019/0241395 A1* 8/2019 Crozier B65H 75/04
2019/0241397 A1* 8/2019 Grzybowski B60P 3/035
2020/0331508 A1* 10/2020 LeVey B62B 3/104

* cited by examiner

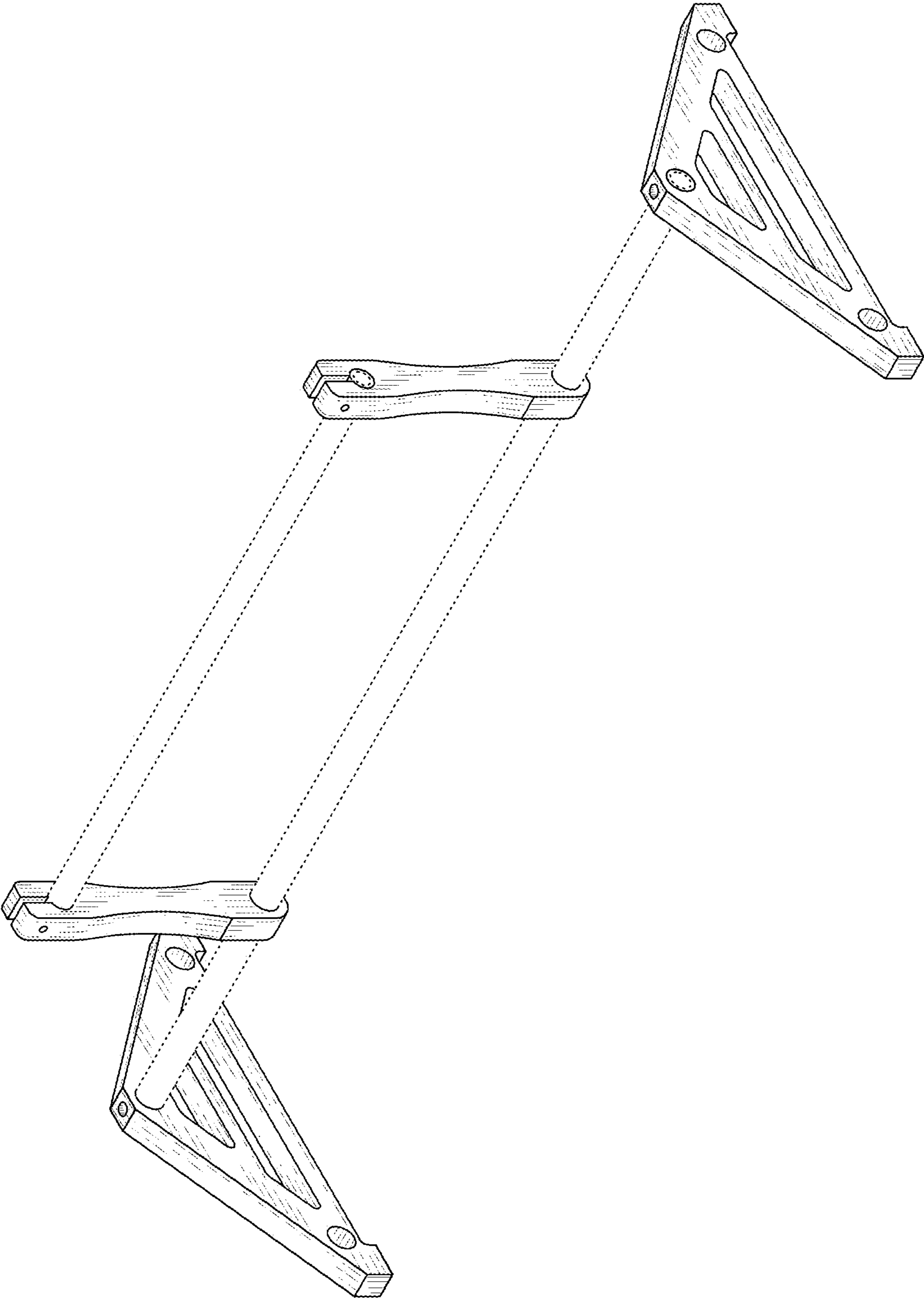


FIG. 1

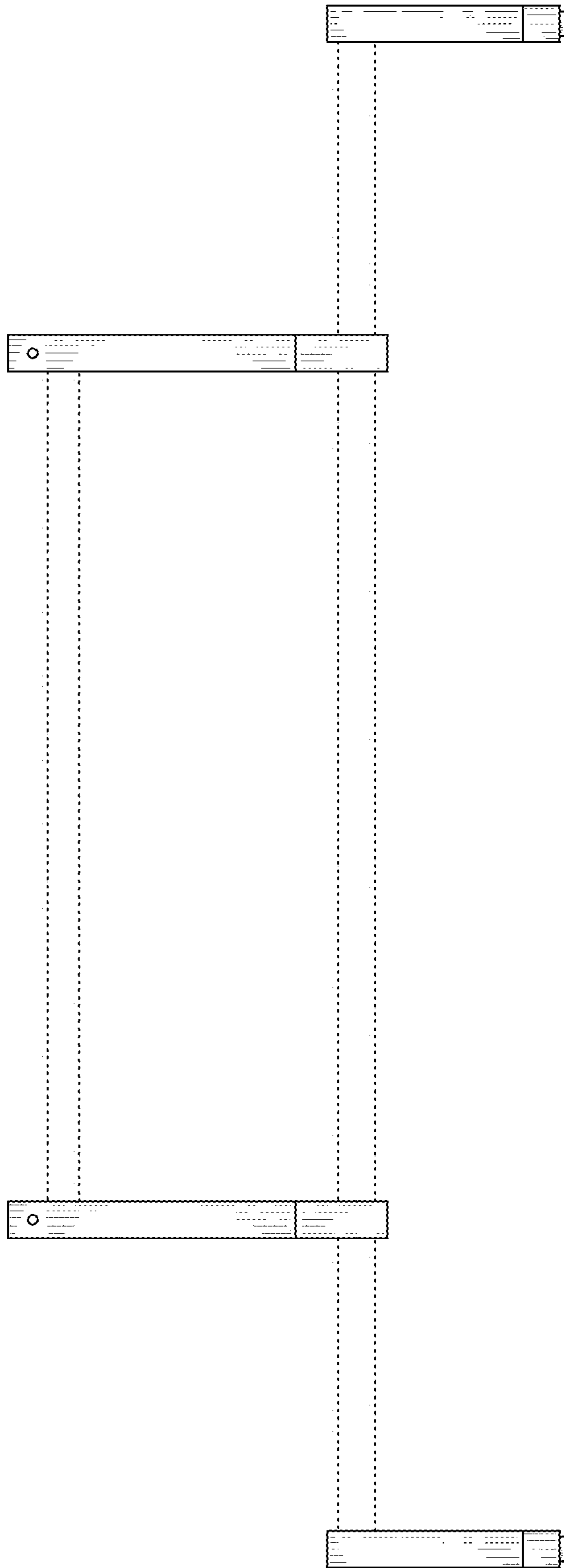


FIG. 2

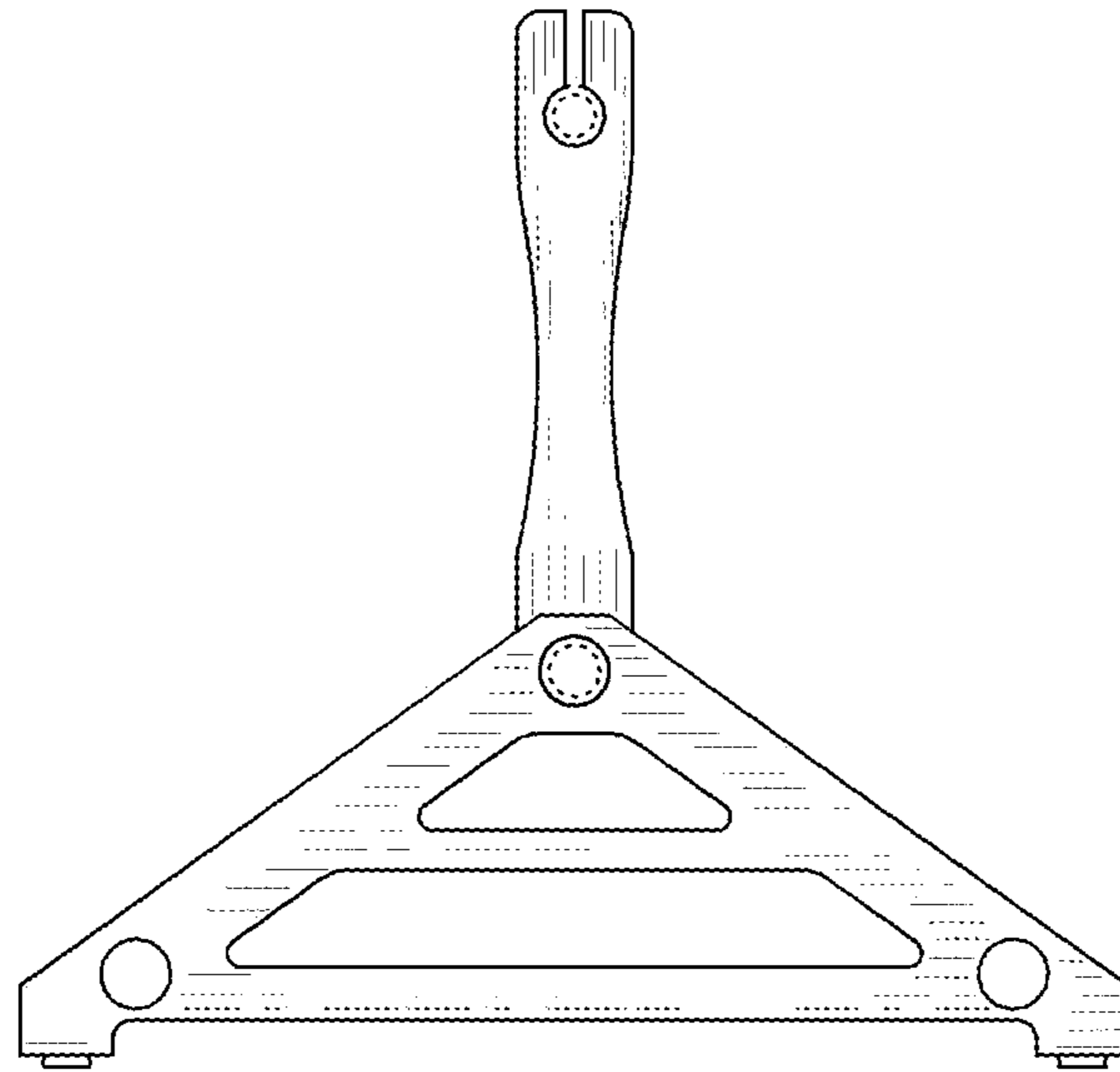


FIG. 3

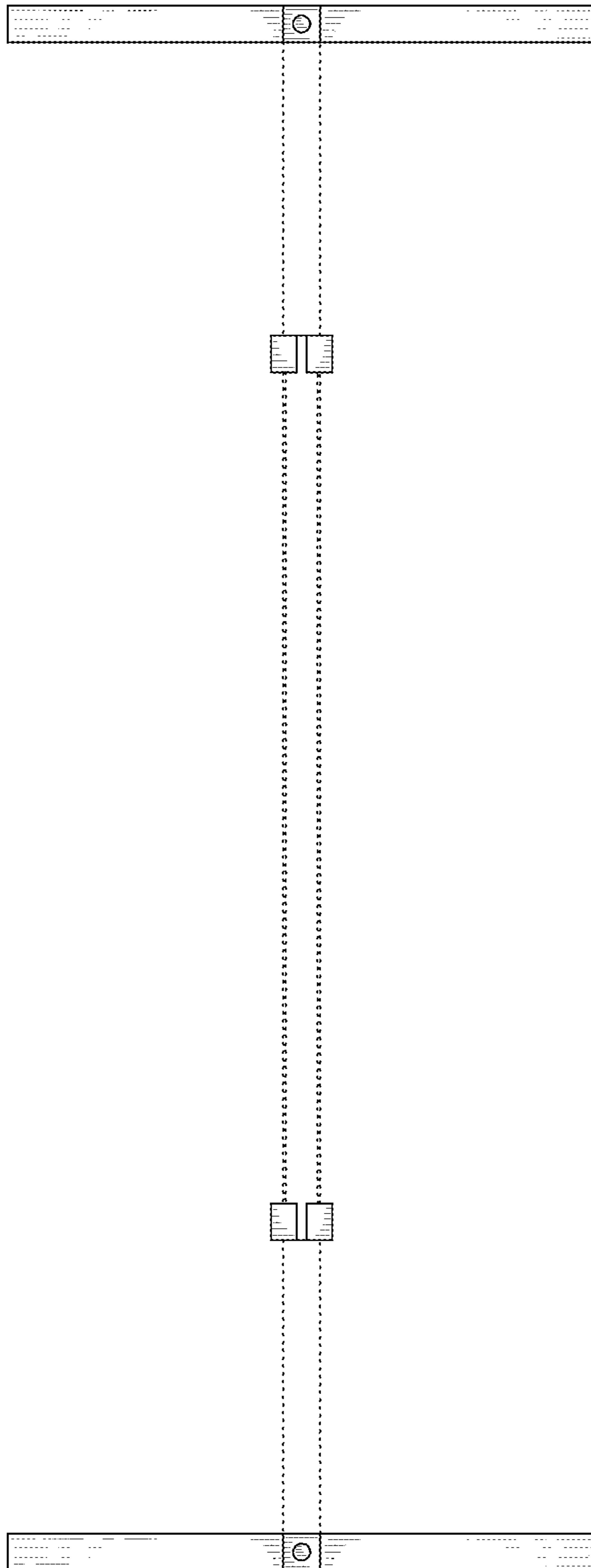


FIG. 4

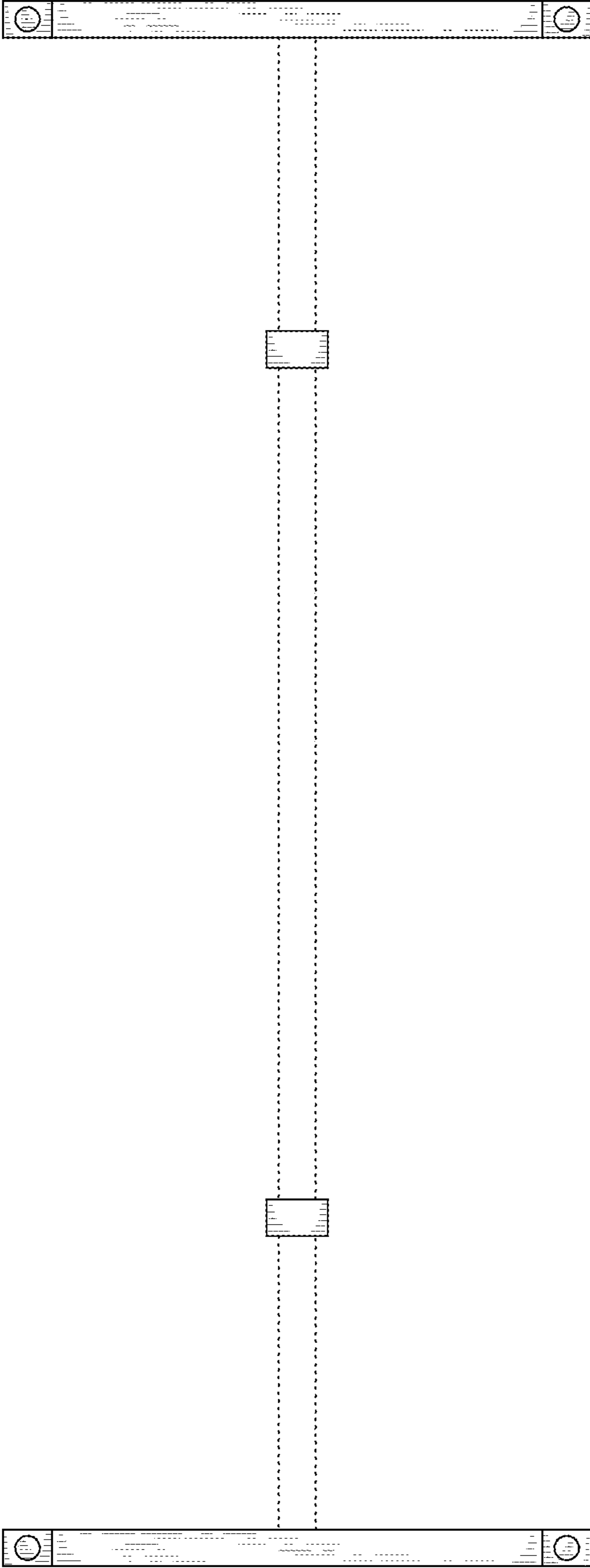


FIG. 5