



US00D939327S

(12) **United States Design Patent** (10) **Patent No.:** **US D939,327 S**
Wang (45) **Date of Patent:** **** Dec. 28, 2021**

(54) **WIRE HOLDER**
(71) Applicant: **Leiming Wang**, Shenzhen (CN)
(72) Inventor: **Leiming Wang**, Shenzhen (CN)
(**) Term: **15 Years**
(21) Appl. No.: **29/768,650**
(22) Filed: **Jan. 31, 2021**
(30) **Foreign Application Priority Data**
Jan. 19, 2021 (CN) 202130038125.4
(51) **LOC (13) Cl.** **09-06**
(52) **U.S. Cl.**
USPC **D8/356**
(58) **Field of Classification Search**
USPC D8/356, 394, 395, 396; 248/74.1, 74.2,
248/74.3, 74.4
CPC B60D 1/18; F16L 3/12; B65H 57/16
See application file for complete search history.

(56) **References Cited**
U.S. PATENT DOCUMENTS
3,163,712 A * 12/1964 Cochran F16L 3/12
174/164
3,429,985 A * 2/1969 Czigler F16L 3/12
174/164
3,516,631 A * 6/1970 Santucci H02G 3/32
248/71
4,317,262 A * 3/1982 Wells, Jr. F16L 3/12
24/16 PB
4,439,896 A * 4/1984 Matsui F16L 3/08
24/16 PB
4,557,024 A * 12/1985 Roberts F16L 33/035
24/20 TT
4,609,171 A * 9/1986 Matsui F16L 3/12
24/16 PB

5,020,749 A * 6/1991 Kraus F16L 3/23
24/16 PB
D347,384 S * 5/1994 White D8/395
D414,399 S * 9/1999 Nakamura D8/356
D424,922 S * 5/2000 Sherman D8/395
6,206,331 B1 * 3/2001 Keith B60R 16/0215
248/73
D439,833 S * 4/2001 Nakamura D8/356
D521,366 S * 5/2006 Polak D8/383
D537,334 S * 2/2007 Lee D8/396
D580,748 S * 11/2008 Polak D8/394
D634,011 S * 3/2011 Phillips D24/143
D644,501 S 9/2011 Chen
D649,864 S 12/2011 Symons
D889,254 S * 7/2020 Copete Vilella D8/394
D899,810 S * 10/2020 Chou D6/580
2006/0076462 A1 * 4/2006 Ceravalls Pujol F16L 3/1033
248/67.7

* cited by examiner

Primary Examiner — Cynthia R Underwood

(74) *Attorney, Agent, or Firm* — W&KIP

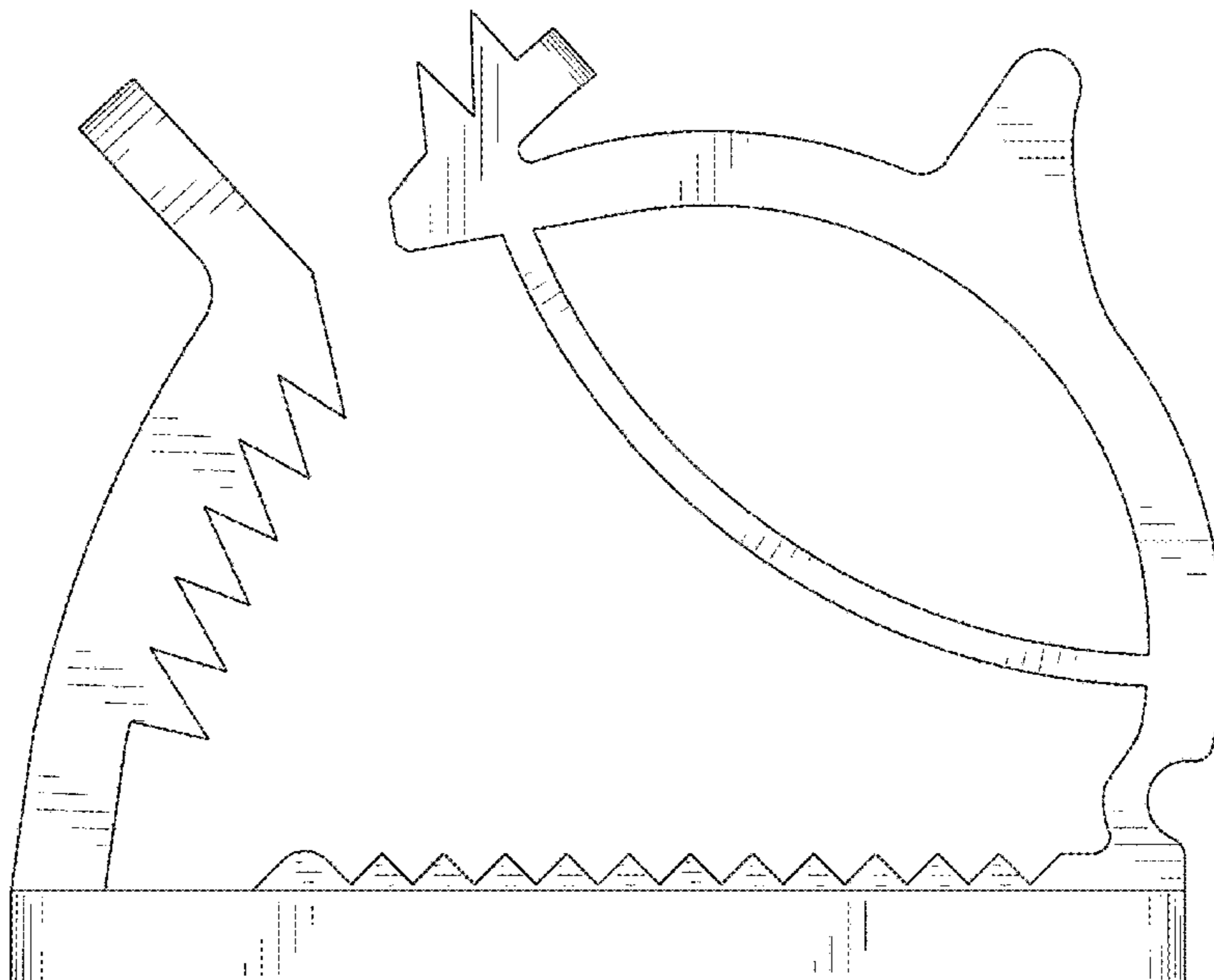
(57) **CLAIM**

The ornamental design for a wire holder, as shown and described.

DESCRIPTION

FIG. 1 is a front view of a wire holder showing my new design;
FIG. 2 is a rear view thereof;
FIG. 3 is a left side view thereof;
FIG. 4 is a right side view thereof;
FIG. 5 is a top plan view thereof;
FIG. 6 is a bottom plan view thereof;
FIG. 7 is a perspective view thereof;
FIG. 8 is second perspective view thereof; and,
FIG. 9 is third perspective view thereof.

1 Claim, 9 Drawing Sheets



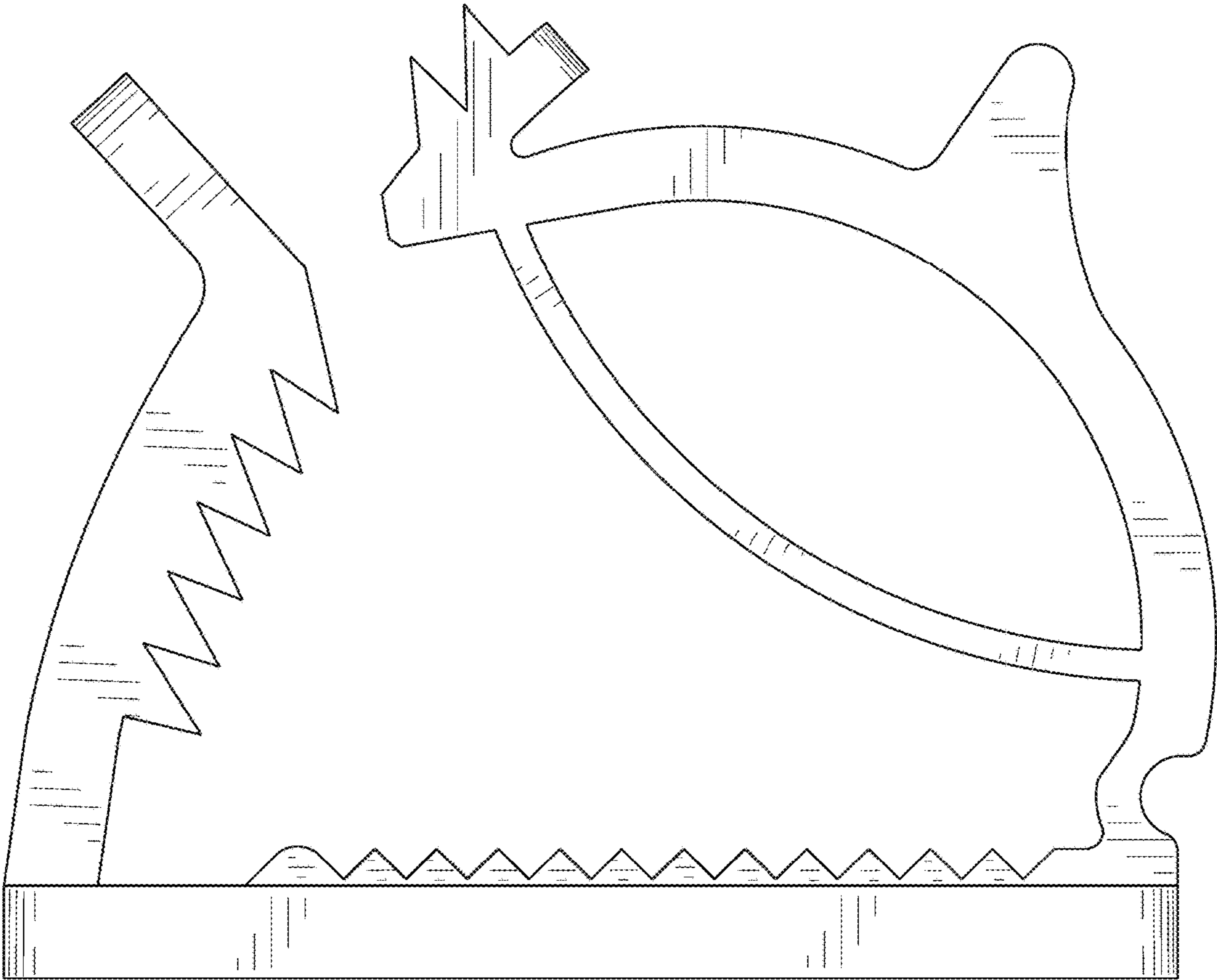


FIG. 1

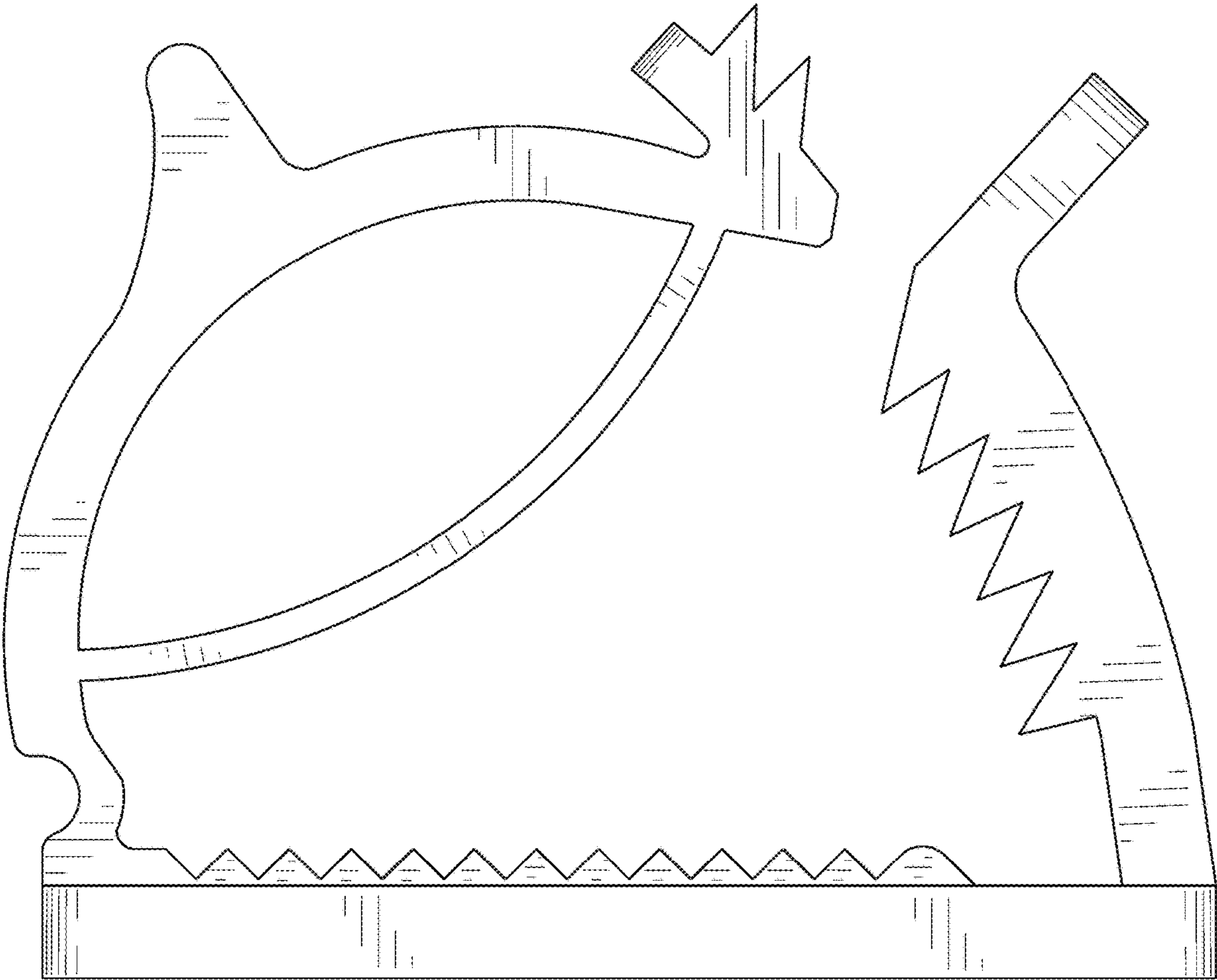


FIG. 2

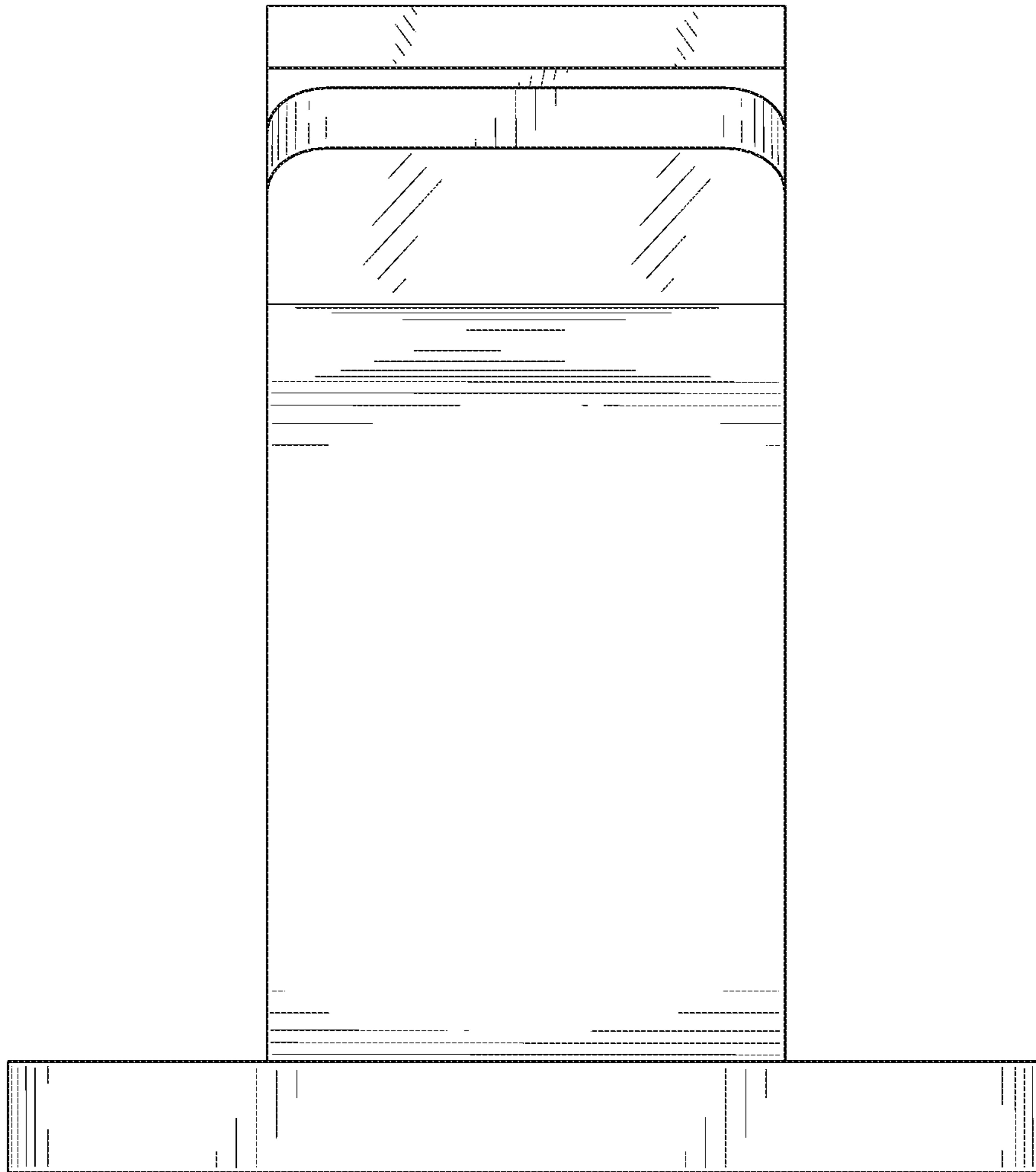


FIG. 3



FIG. 4

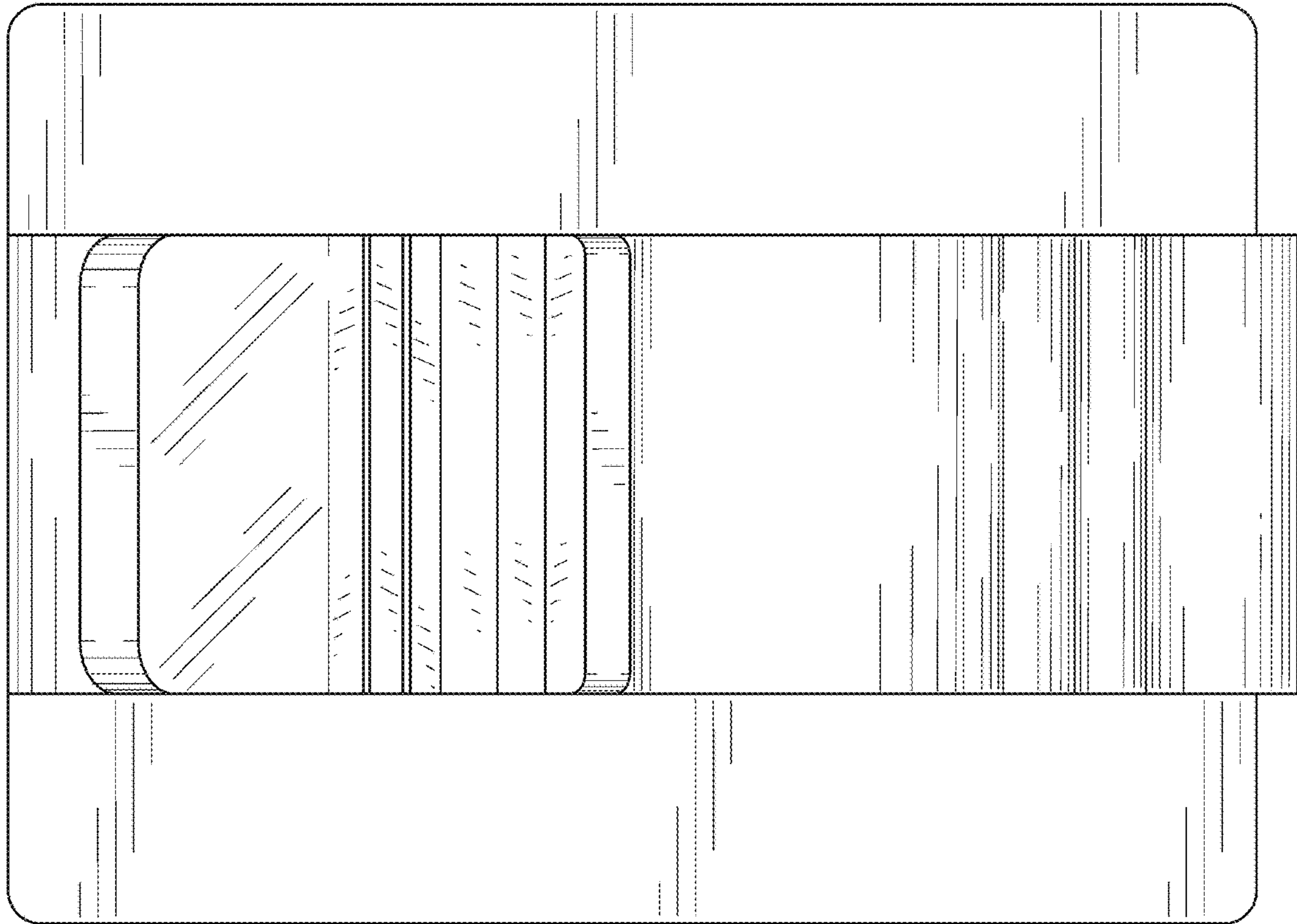


FIG. 5

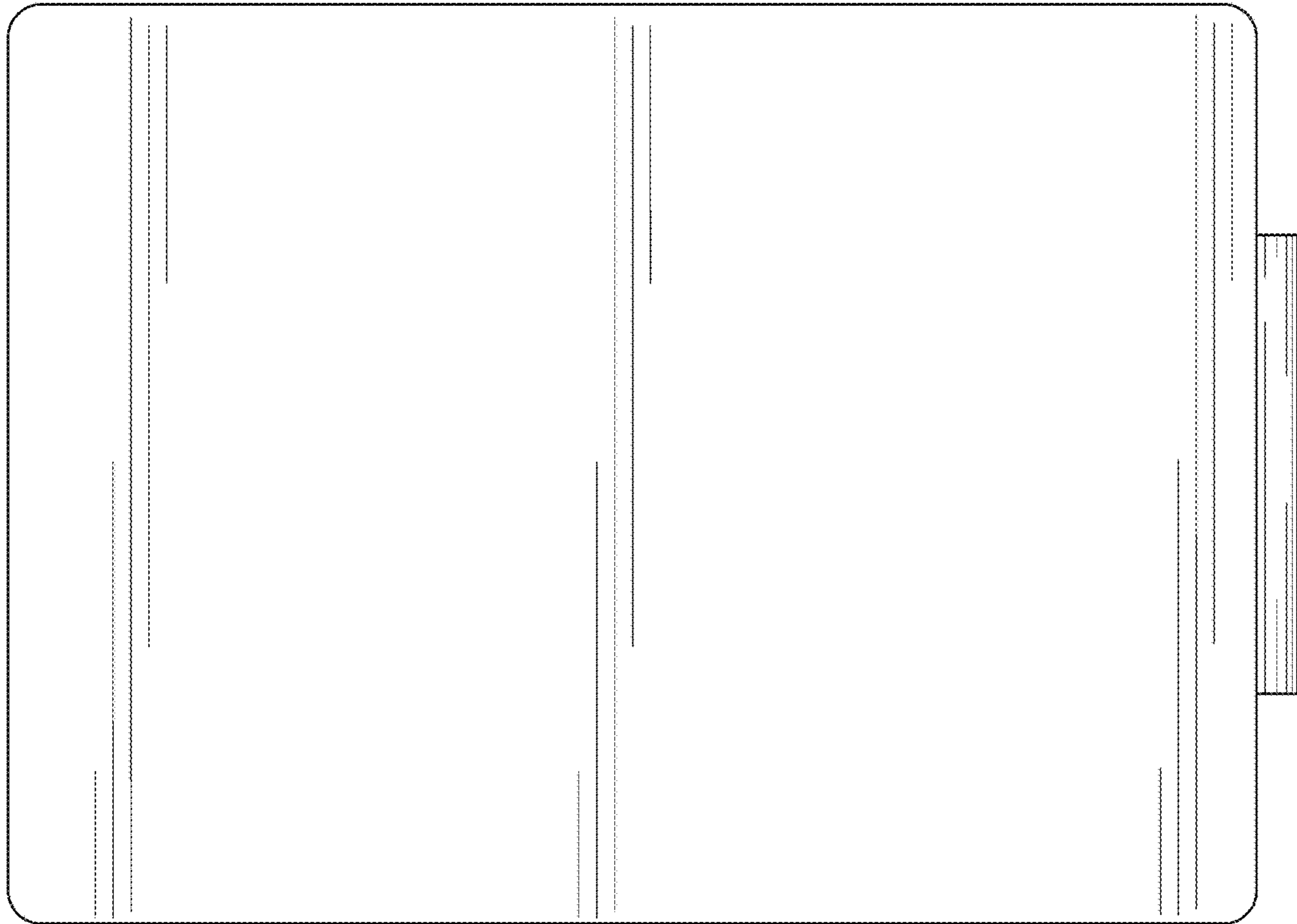


FIG. 6

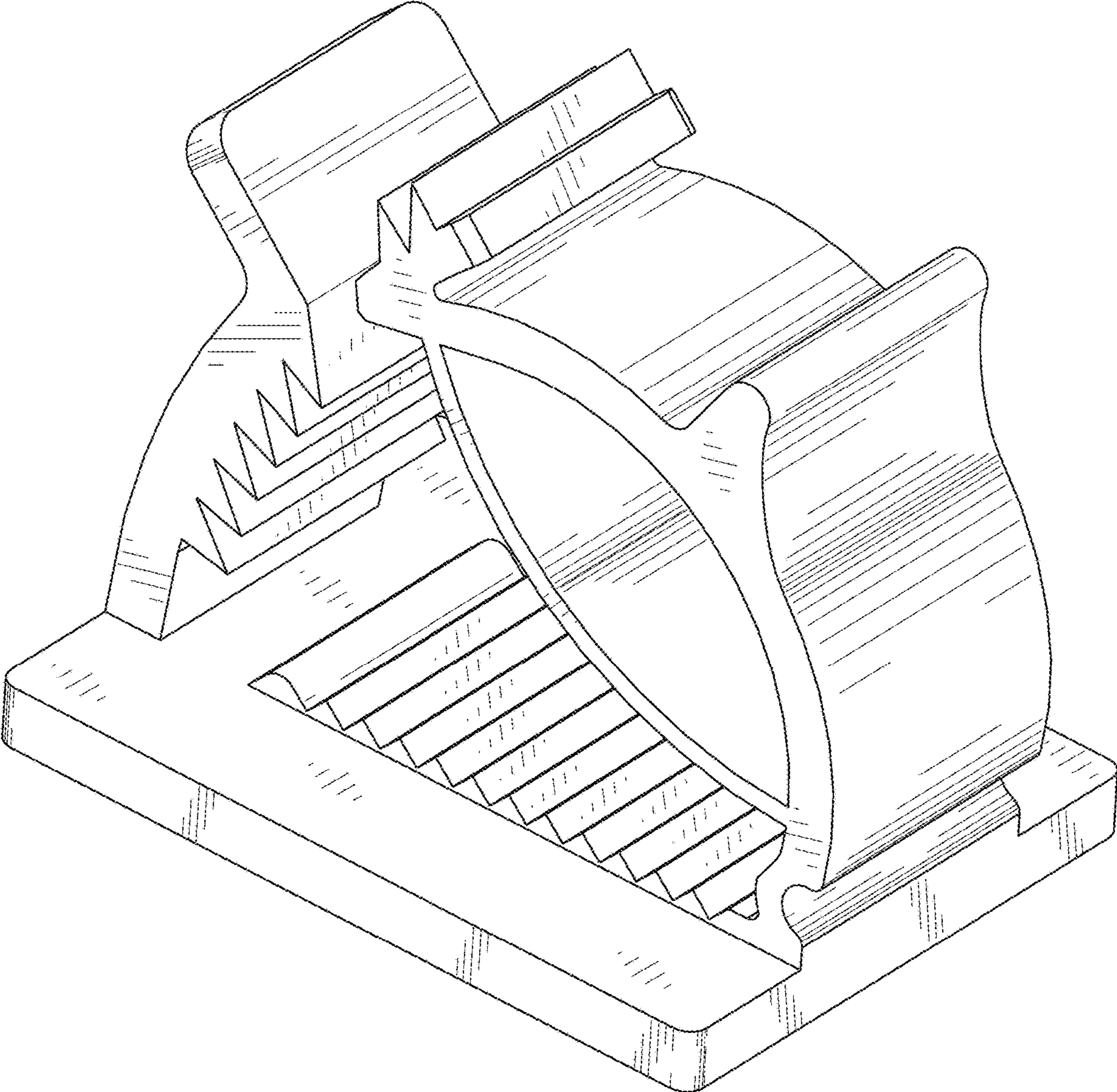


FIG. 7

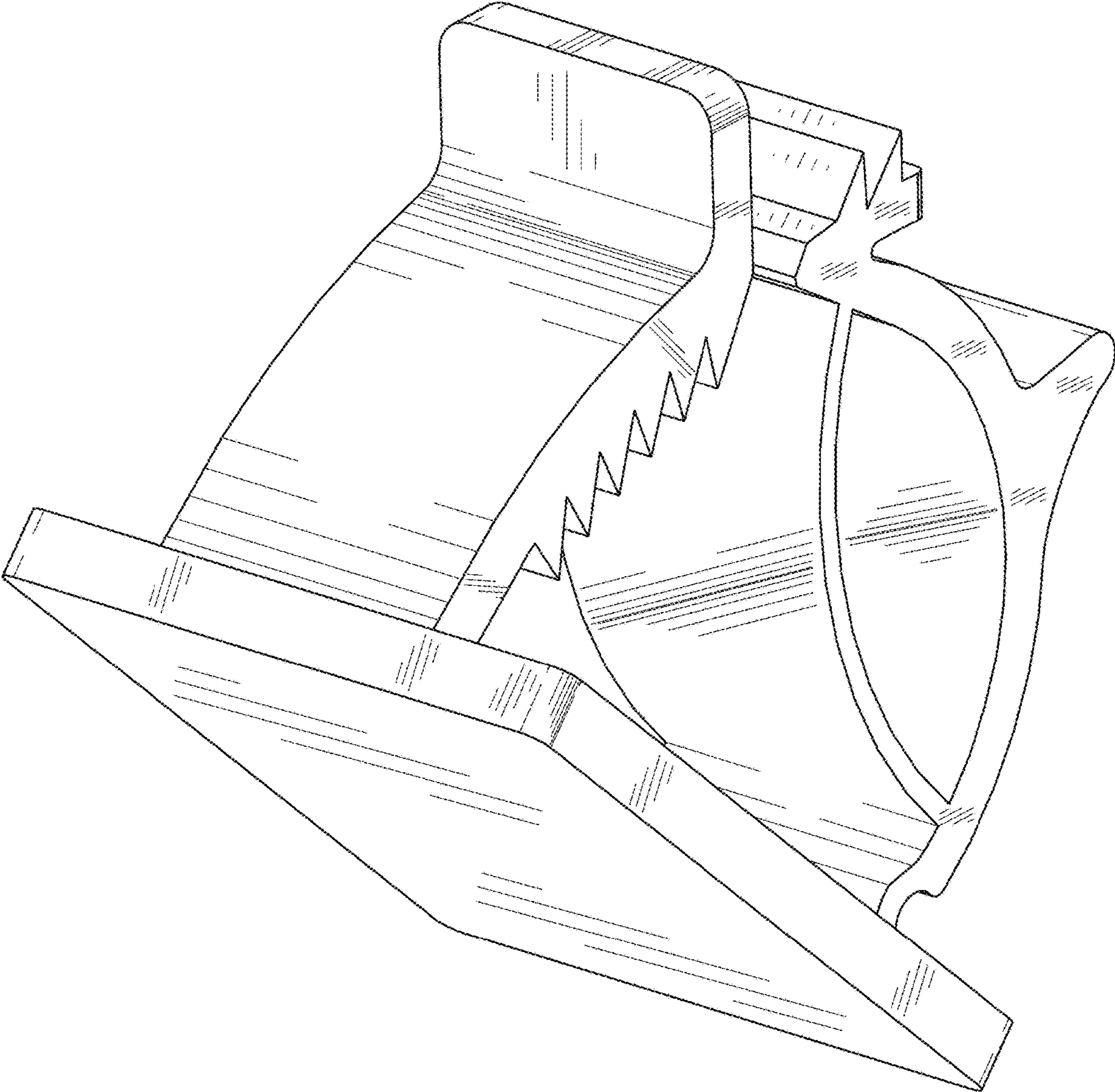


FIG. 8

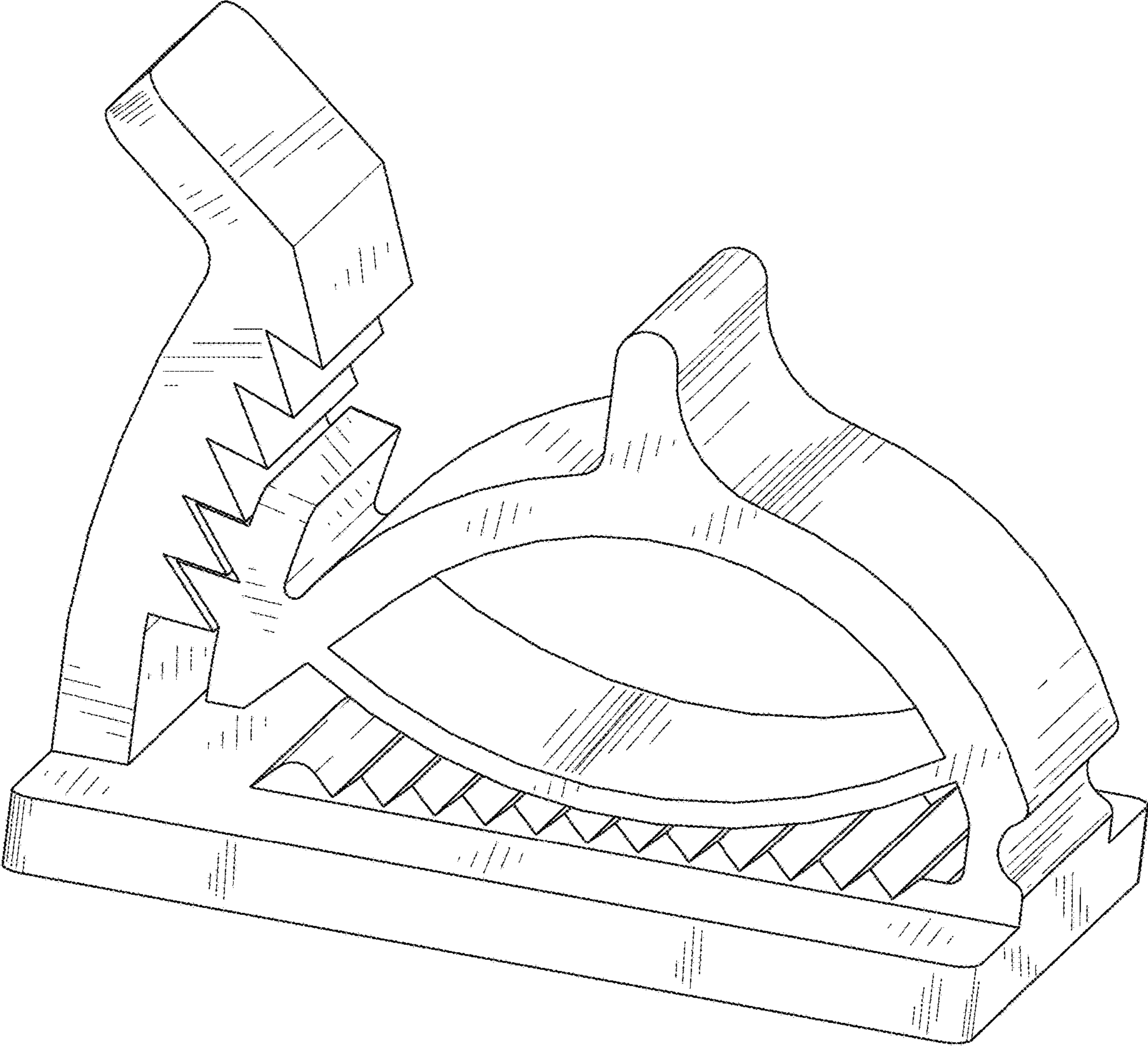


FIG. 9