



US00D939326S

(12) **United States Design Patent** (10) **Patent No.:** **US D939,326 S**
Lehle (45) **Date of Patent:** **** Dec. 28, 2021**

(54) **TWO PART CLIP**
(71) Applicant: **Helmut Franz Wilhelm Lehle,**
Johannesburg (ZA)
(72) Inventor: **Helmut Franz Wilhelm Lehle,**
Johannesburg (ZA)
(**) Term: **15 Years**
(21) Appl. No.: **29/735,453**
(22) Filed: **May 21, 2020**
(51) **LOC (13) Cl.** **08-05**
(52) **U.S. Cl.**
USPC **D8/354**
(58) **Field of Classification Search**
USPC D8/349, 353, 371, 390, 394, 395, 354,
D8/366, 382, 384
CPC A23P 10/10; A23G 3/56
See application file for complete search history.

D690,583 S * 10/2013 Sendra-Gonzalez .. F16M 13/02
D8/394
8,544,229 B2 * 10/2013 Kilgore E04F 15/02044
52/489.2
D732,009 S * 6/2015 Bak D14/229
D775,534 S * 1/2017 Turksu D10/31
D823,095 S * 7/2018 Stahl D8/354
D892,602 S * 8/2020 White D8/380
D911,159 S * 2/2021 Black D8/394

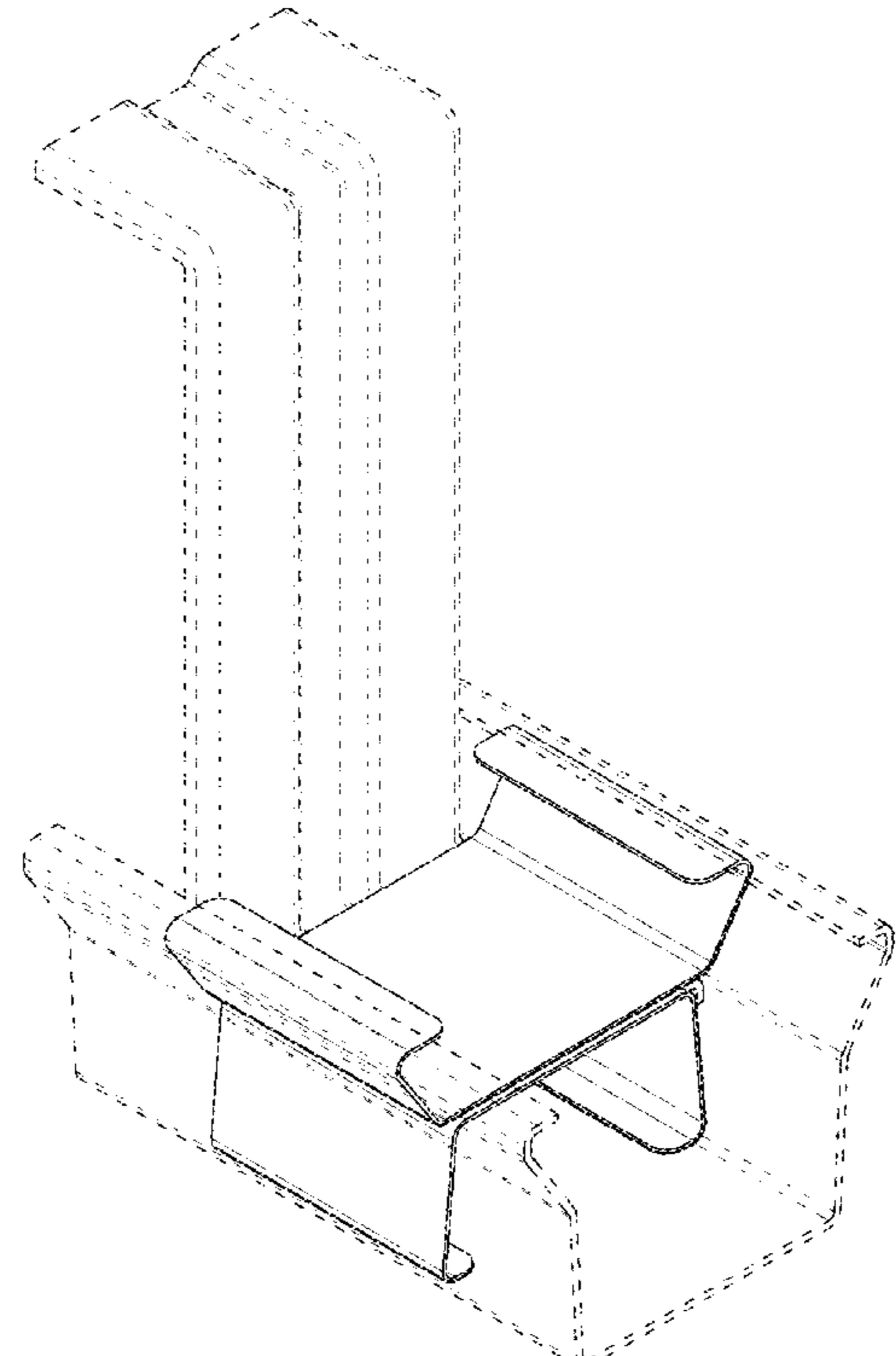
* cited by examiner
Primary Examiner — Keli L Hill
Assistant Examiner — Harold E Blackwell, II
(74) *Attorney, Agent, or Firm* — Tutunjian & Bitetto, P.C.

(57) **CLAIM**
The ornamental design for a two part clip, as shown and described.

(56) **References Cited**
U.S. PATENT DOCUMENTS
D260,481 S * 9/1981 Norcross D8/354
D276,272 S * 11/1984 Weissenburger D24/176
5,966,893 A * 10/1999 Quillin F16B 5/0028
52/282.2
D440,005 S * 4/2001 Blanton 24/16 R
6,857,240 B1 * 2/2005 MacAlister E04B 2/16
52/442
D659,522 S * 5/2012 Noturno F16B 5/0028
D8/382
D674,684 S * 1/2013 Noturno F16B 5/0028
D8/382

DESCRIPTION
FIG. 1 is a first top perspective view of the two part clip showing my new design;
FIG. 2 is a second top perspective view thereof;
FIG. 3 is an end view thereof;
FIG. 4 is a top view thereof;
FIG. 5 is a bottom view thereof;
FIG. 6 is a right side view thereof; and,
FIG. 7 is a left side thereof.
The broken lines in the drawings represent environmental structure and form no part of the claimed design.

1 Claim, 7 Drawing Sheets



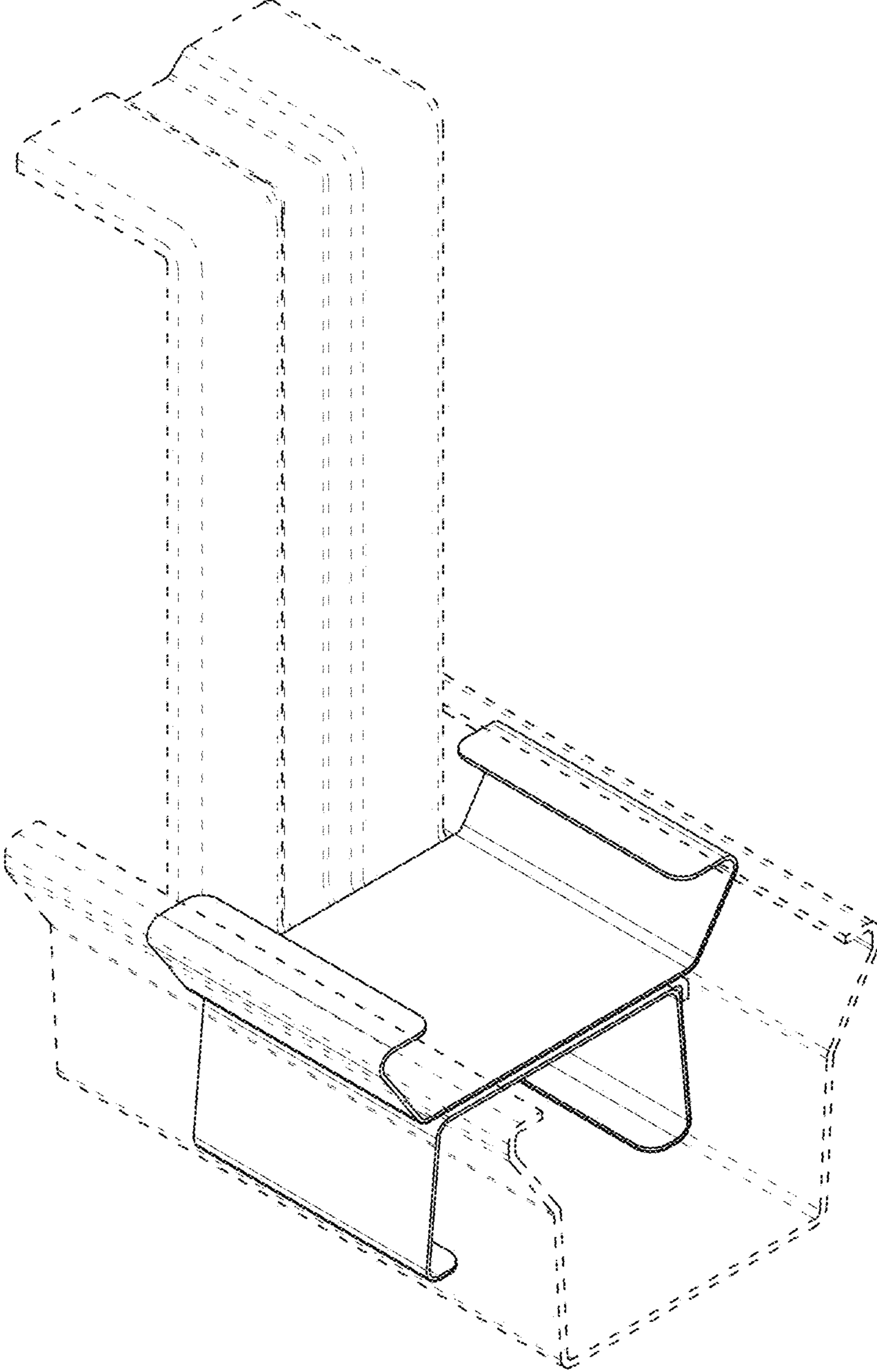


FIG. 1

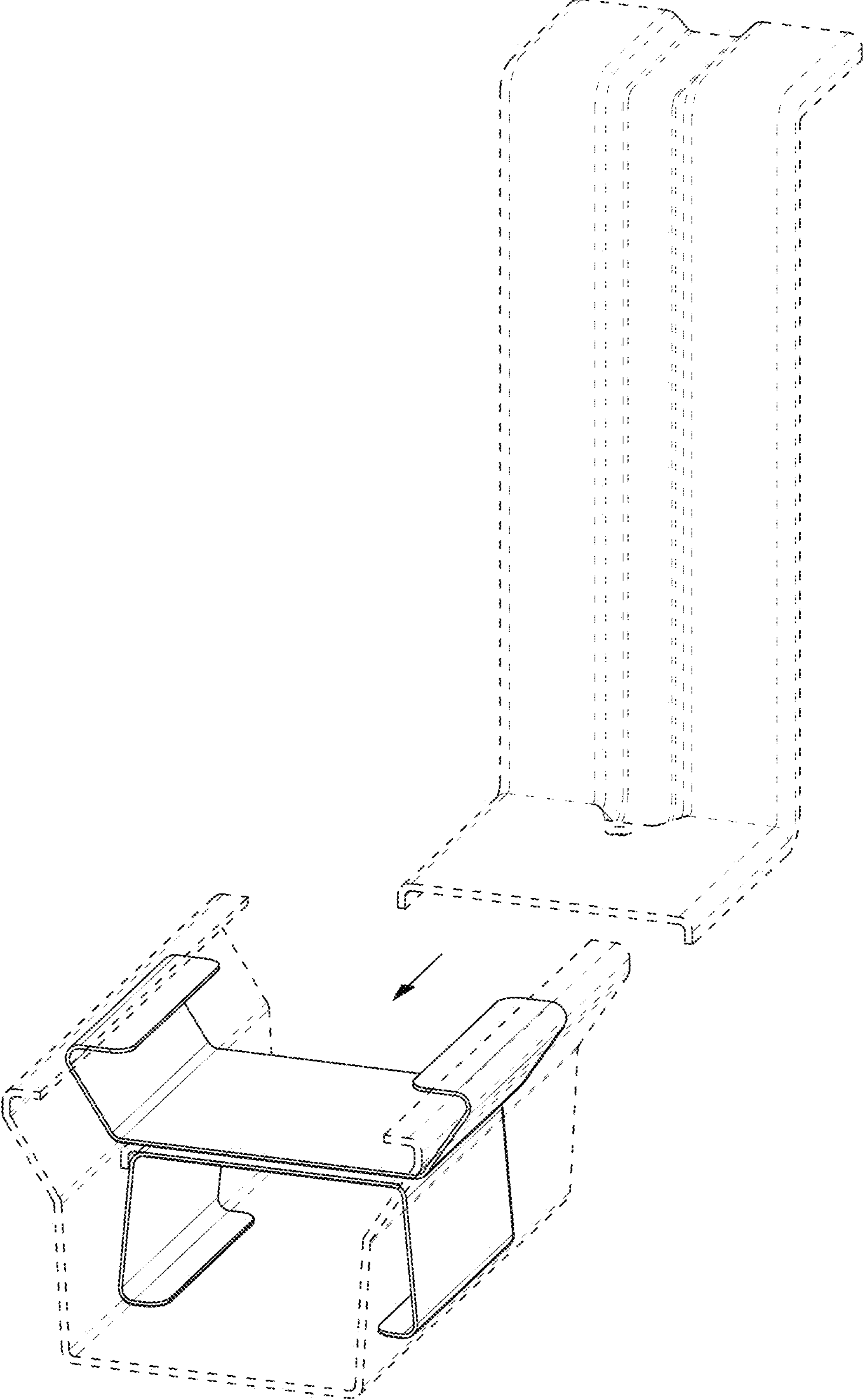


FIG. 2

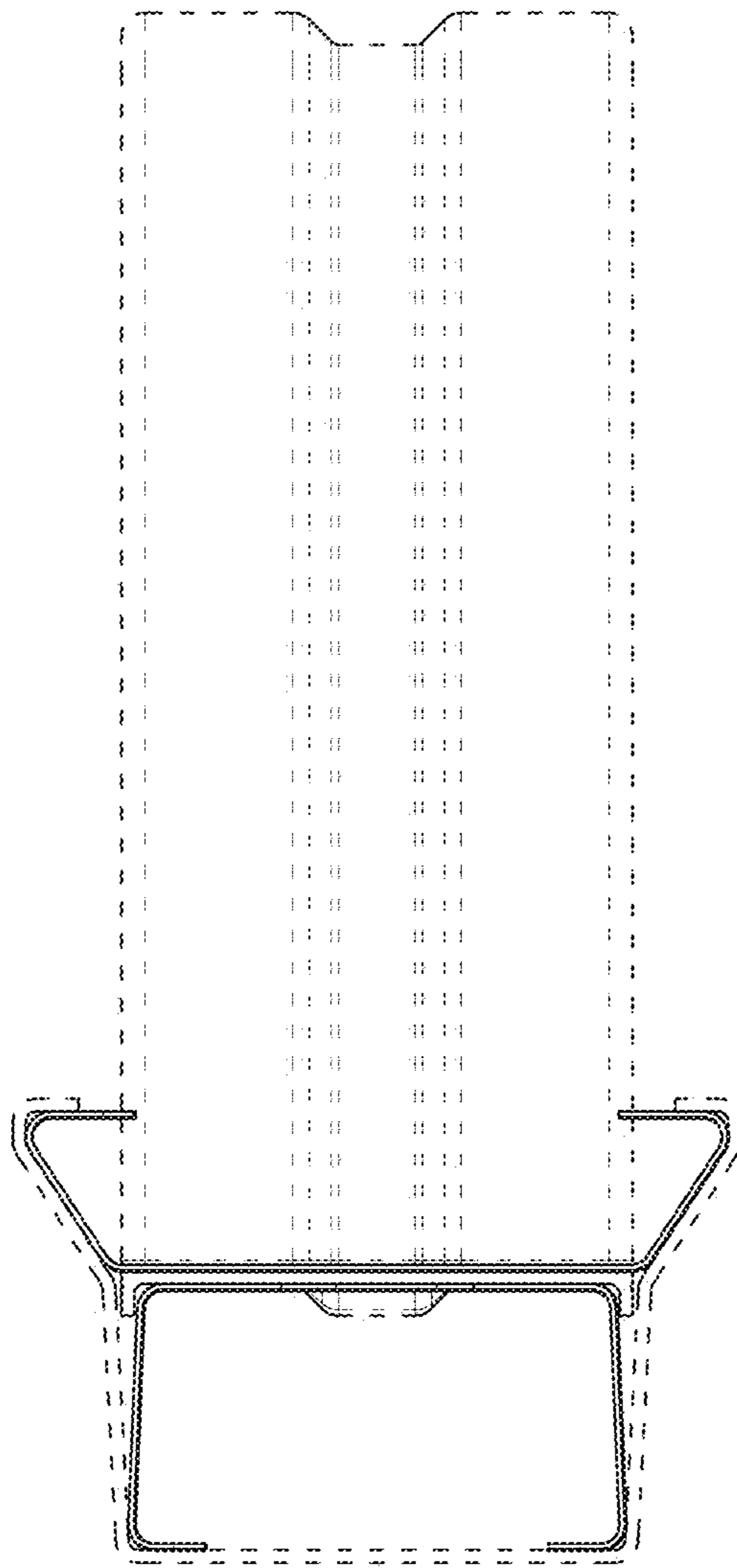


FIG. 3

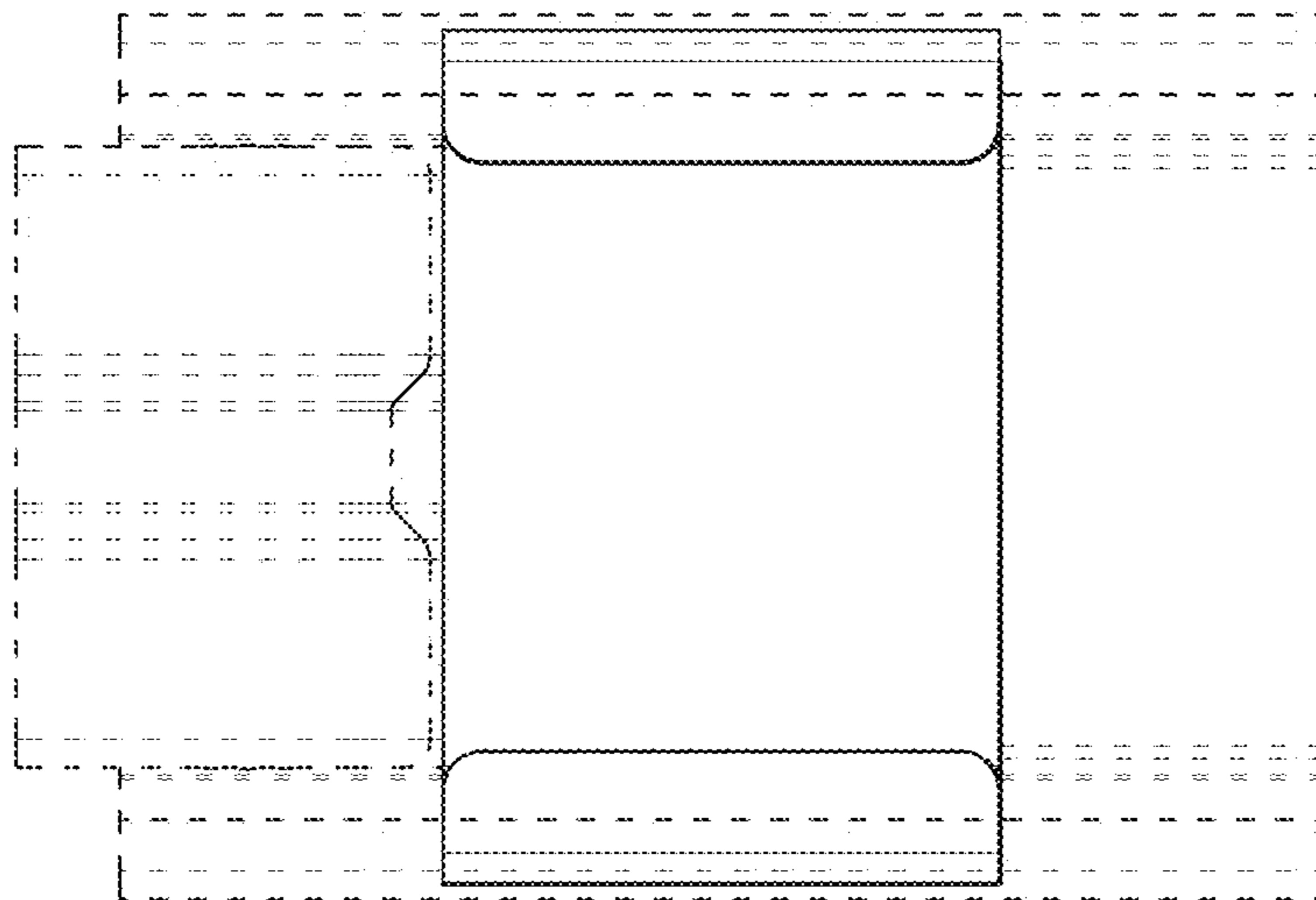


FIG. 4

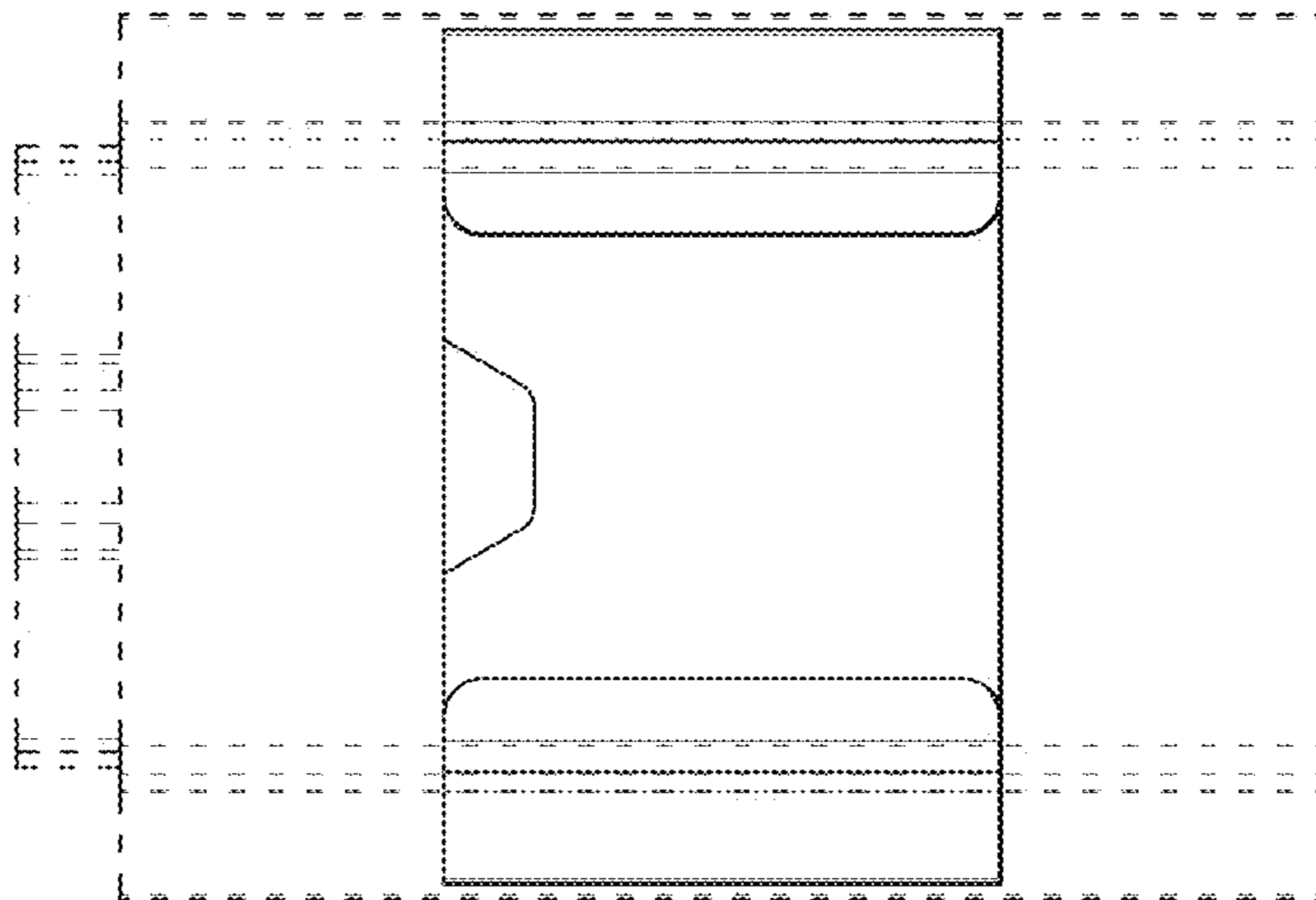


FIG. 5

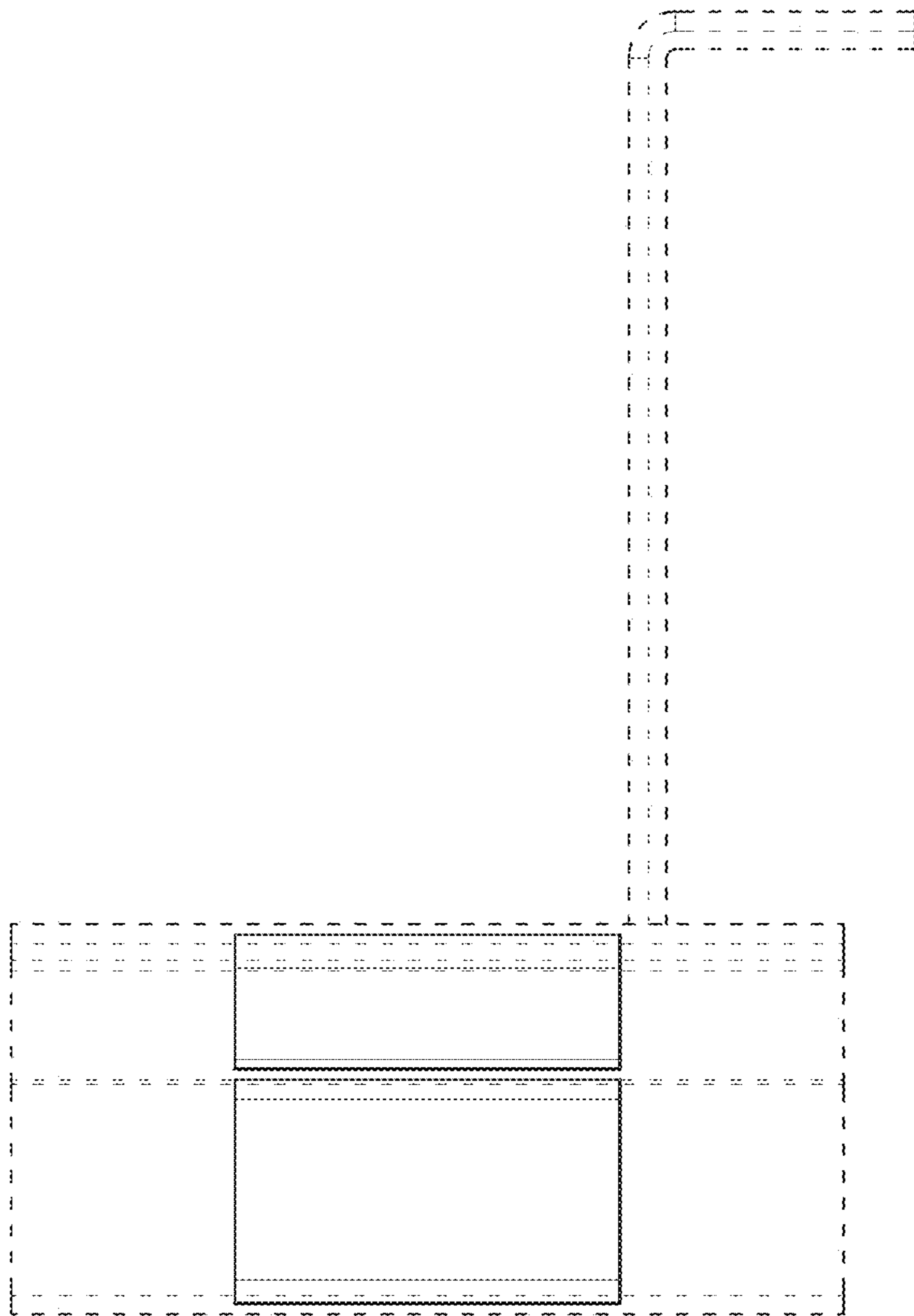


FIG. 6

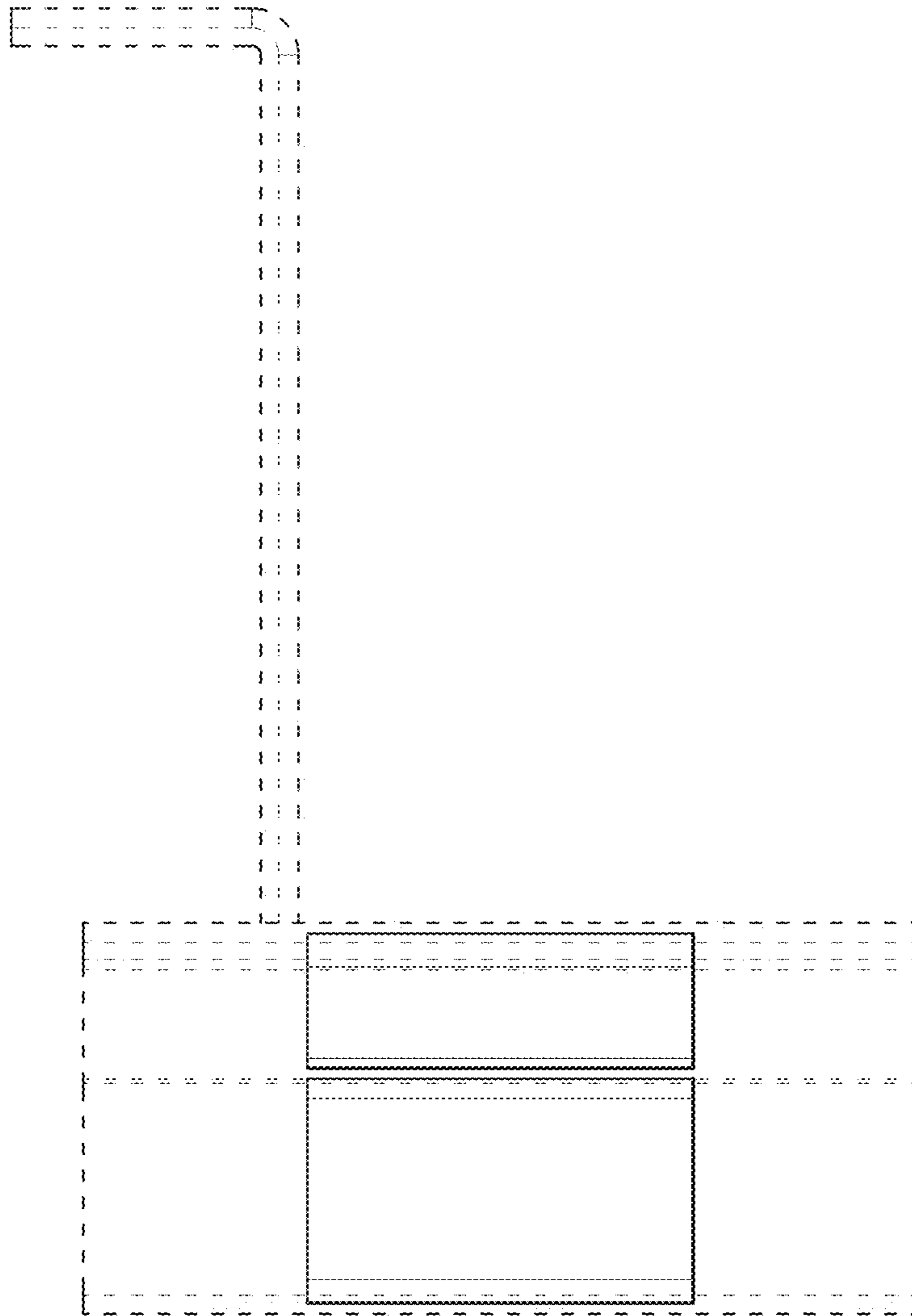


FIG. 7