

US00D939325S

(12) **United States Design Patent** (10) **Patent No.:** **US D939,325 S**  
**Bently et al.** (45) **Date of Patent:** **\*\* Dec. 28, 2021**

(54) **MOUNTING HOLDER**

(71) Applicants: **John F. Bently**, New Richland, MN (US); **James A. Roefer**, Sinton, TX (US)

(72) Inventors: **John F. Bently**, New Richland, MN (US); **James A. Roefer**, Sinton, TX (US)

(\*\*) Term: **15 Years**

(21) Appl. No.: **29/709,145**

(22) Filed: **Oct. 11, 2019**

(51) **LOC (13) Cl.** ..... **08-05**

(52) **U.S. Cl.**

USPC ..... **D8/354**

(58) **Field of Classification Search**

USPC ..... D16/237, 240, 242, 245; D8/354, 349, D8/352, 353, 380; D25/68, 133

CPC ..... G03B 17/04; G03B 17/56; G03B 17/561; H04N 5/2252

See application file for complete search history.

(56) **References Cited**

**U.S. PATENT DOCUMENTS**

D44,454 S *	8/1913	Small	D8/352
D209,142 S *	11/1967	Carlson	D8/353
D214,615 S *	7/1969	Patriquin	D8/353
D214,992 S *	8/1969	Kelch	D8/382
D697,127 S *	1/2014	O'Donnell	D16/242
8,947,590 B2 *	2/2015	Nunnink	G03B 17/14 348/374
D860,296 S *	9/2019	Lin	D16/242
2015/0195436 A1 *	7/2015	Samuels	G03B 17/08 348/220.1
2015/0263553 A1 *	9/2015	Fuller	F16B 2/22 320/114
2015/0286117 A1 *	10/2015	Sung	F16M 11/041 224/191
2017/0160624 A1 *	6/2017	Boushell	F16M 11/28
2018/0084160 A1 *	3/2018	Miyashita	G03B 17/04

2018/0302538 A1\* 10/2018 Chen ..... H04N 5/2253  
2019/0107767 A1\* 4/2019 Adachi ..... G03B 17/04  
2020/0285134 A1\* 9/2020 Greaves ..... G03B 17/56

(Continued)

**OTHER PUBLICATIONS**

Duct Cleaners Supply Viper Camera: Site Visited [Jun. 11, 2021, online]. Available from Internet URL: [http://www.ductcleanerssupply.com/Products\\_Detail.php?ProductID=228](http://www.ductcleanerssupply.com/Products_Detail.php?ProductID=228).\*

*Primary Examiner* — Janice Patyk

(74) *Attorney, Agent, or Firm* — Epiphany Law, LLC

(57) **CLAIM**

We claim an ornamental design for a mounting holder, as shown and described.

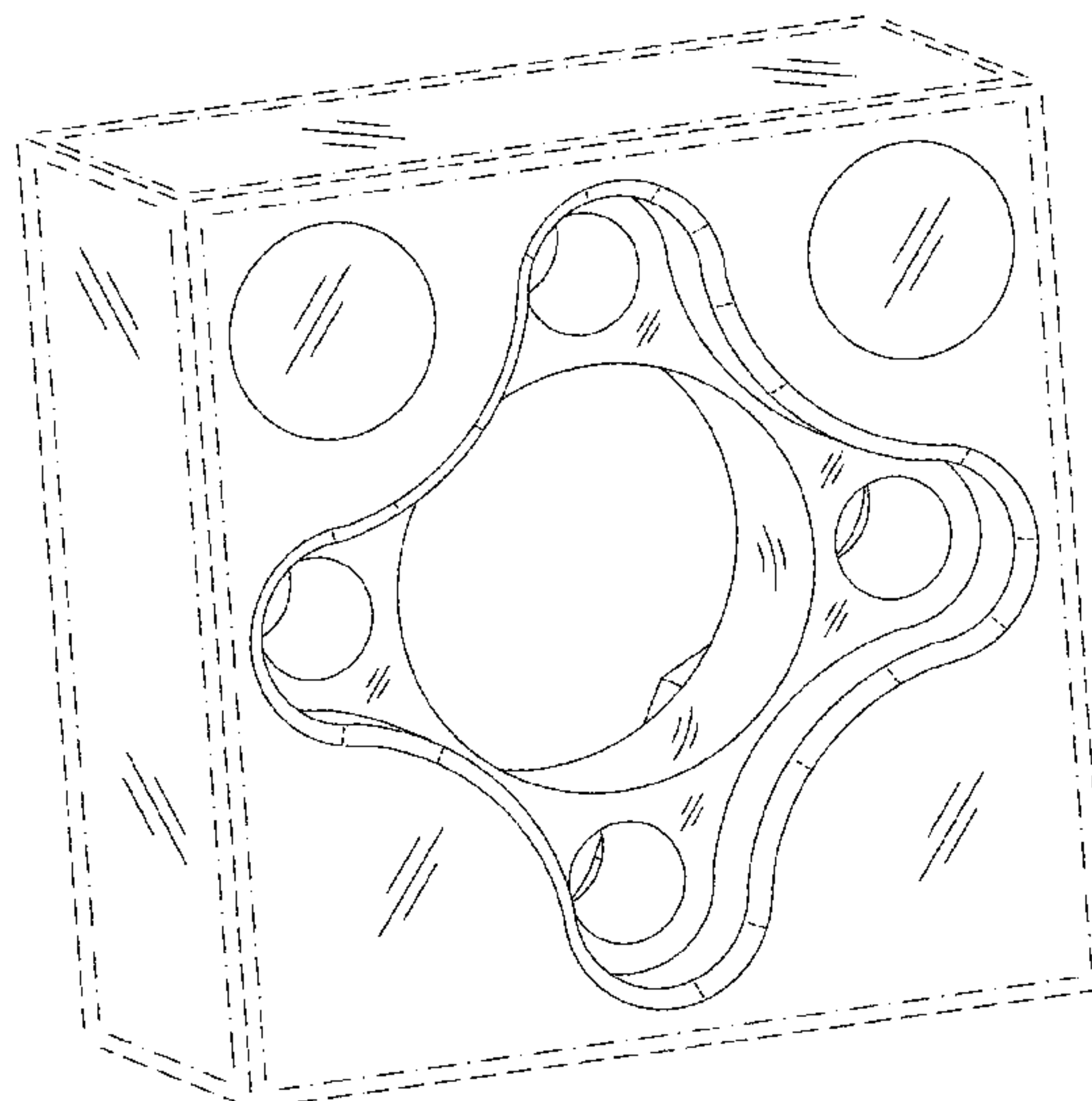
**DESCRIPTION**

FIG. 1 is a front perspective view of a mounting holder showing the claimed design; FIG. 2 is a rear perspective view thereof; FIG. 3 is a front view thereof; FIG. 4 is a rear view thereof; FIG. 5 is a top view thereof; FIG. 6 is a left view thereof; FIG. 7 is a right view of thereof; FIG. 8 is a bottom view thereof; and, FIG. 9 is a rear perspective of FIG. 1 shown in a position of use with exemplary environmental subject matter of a camera.

The evenly broken lines are included for the purpose of illustrating environmental subject matter of an exemplary camera and parts of the article that form no part of the claimed design. The dash-dot-dash lines represent the boundaries of the claim and form no part of the claimed design.

The broken lines shown in FIGS. 1-4 and 9 between the star-shaped outer and inner opening are included to show unclaimed space that form no part of the claim.

**1 Claim, 6 Drawing Sheets**



(56)

**References Cited**

U.S. PATENT DOCUMENTS

2020/0310228 A1\* 10/2020 Sue ..... H04N 5/22521  
2020/0344417 A1\* 10/2020 Xu ..... G03B 17/561  
2020/0363702 A1\* 11/2020 Nakamura ..... G03B 17/08  
2020/0379320 A1\* 12/2020 Fujimoto ..... H04N 5/225  
2021/0021801 A1\* 1/2021 Lee ..... G01R 33/072  
2021/0152750 A1\* 5/2021 Wakamatsu ..... H04N 5/247  
2021/0165304 A1\* 6/2021 Tseng ..... G03B 17/561

\* cited by examiner

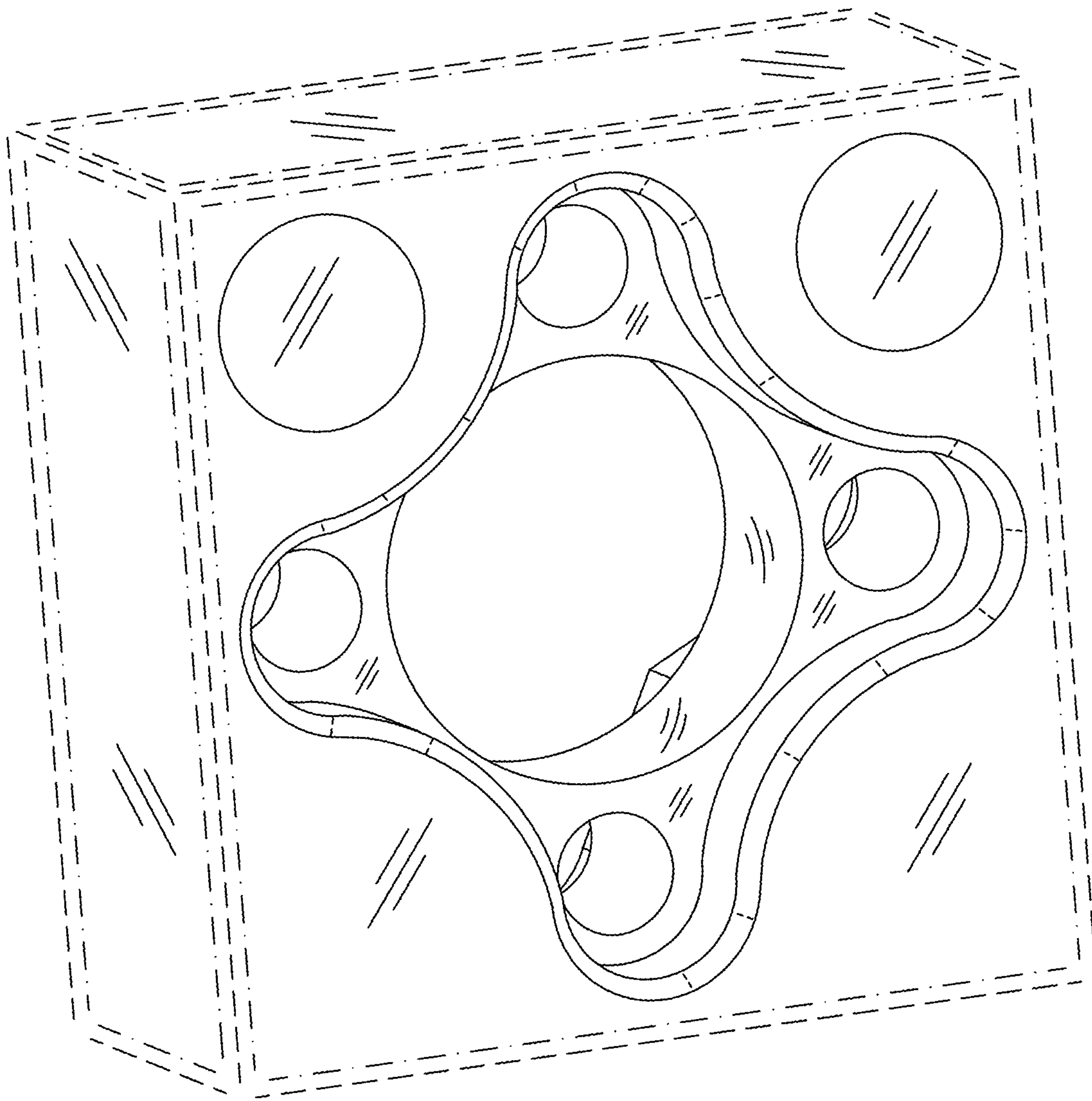


FIG. 1

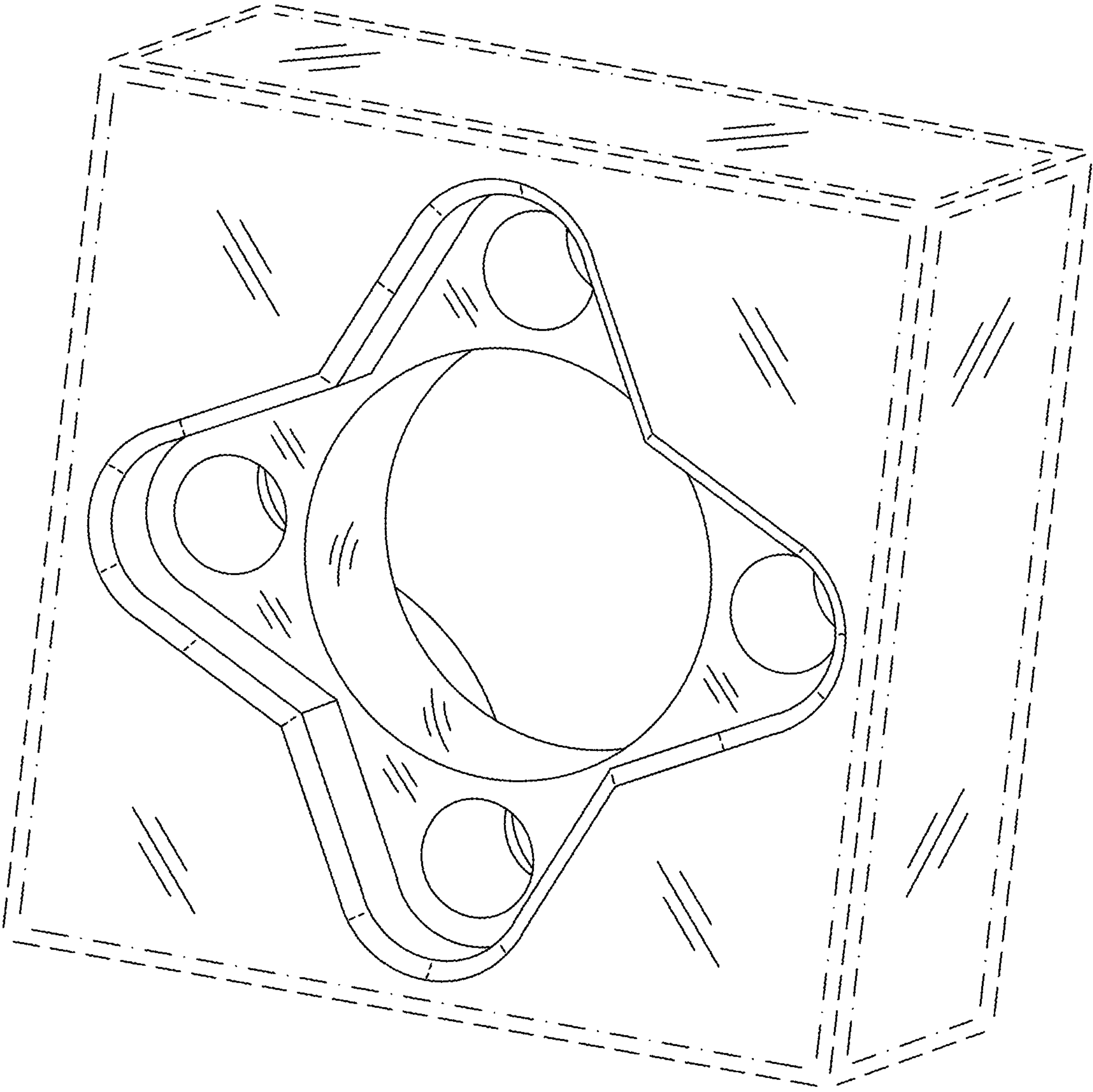


FIG. 2



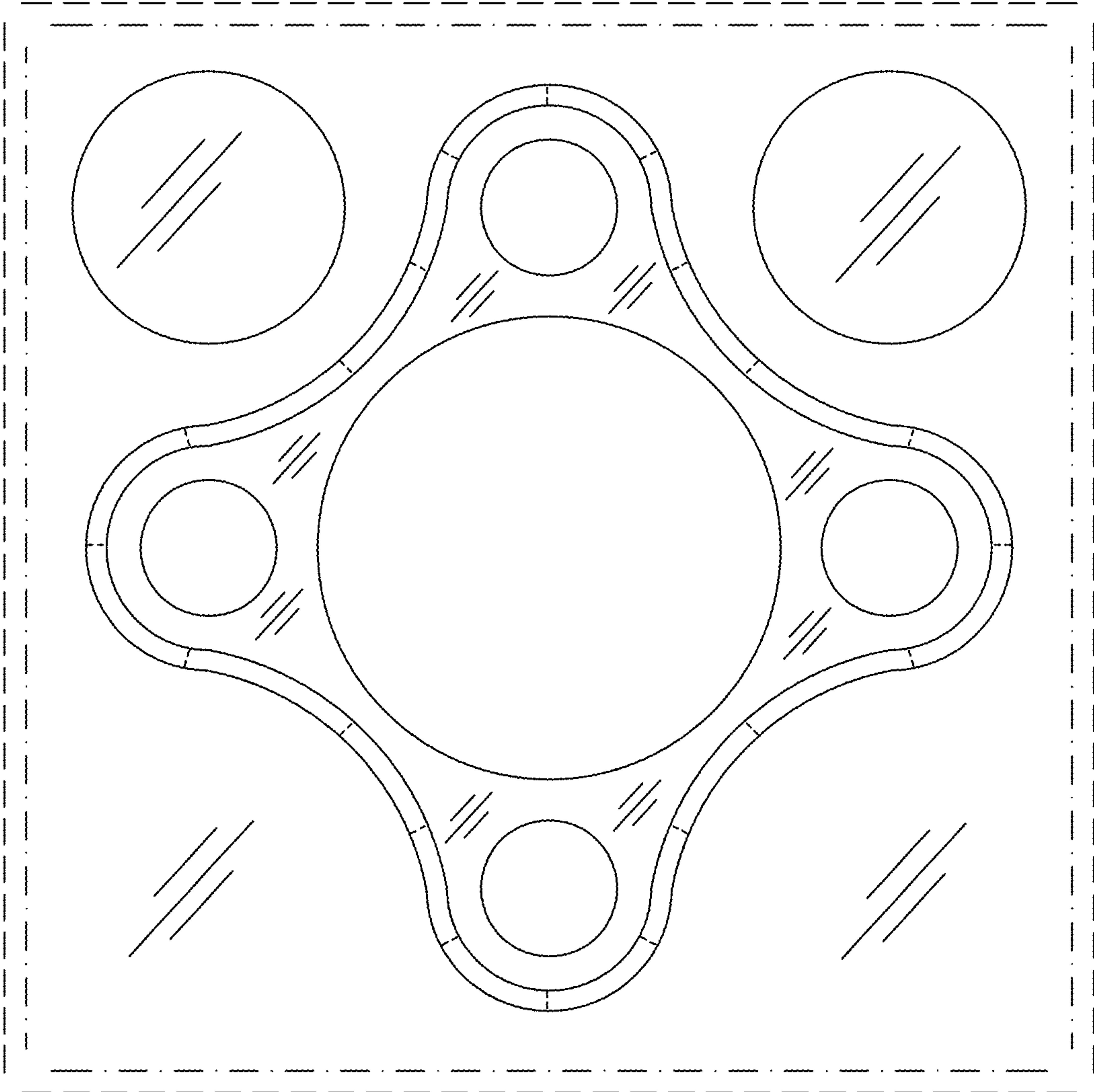


FIG. 3

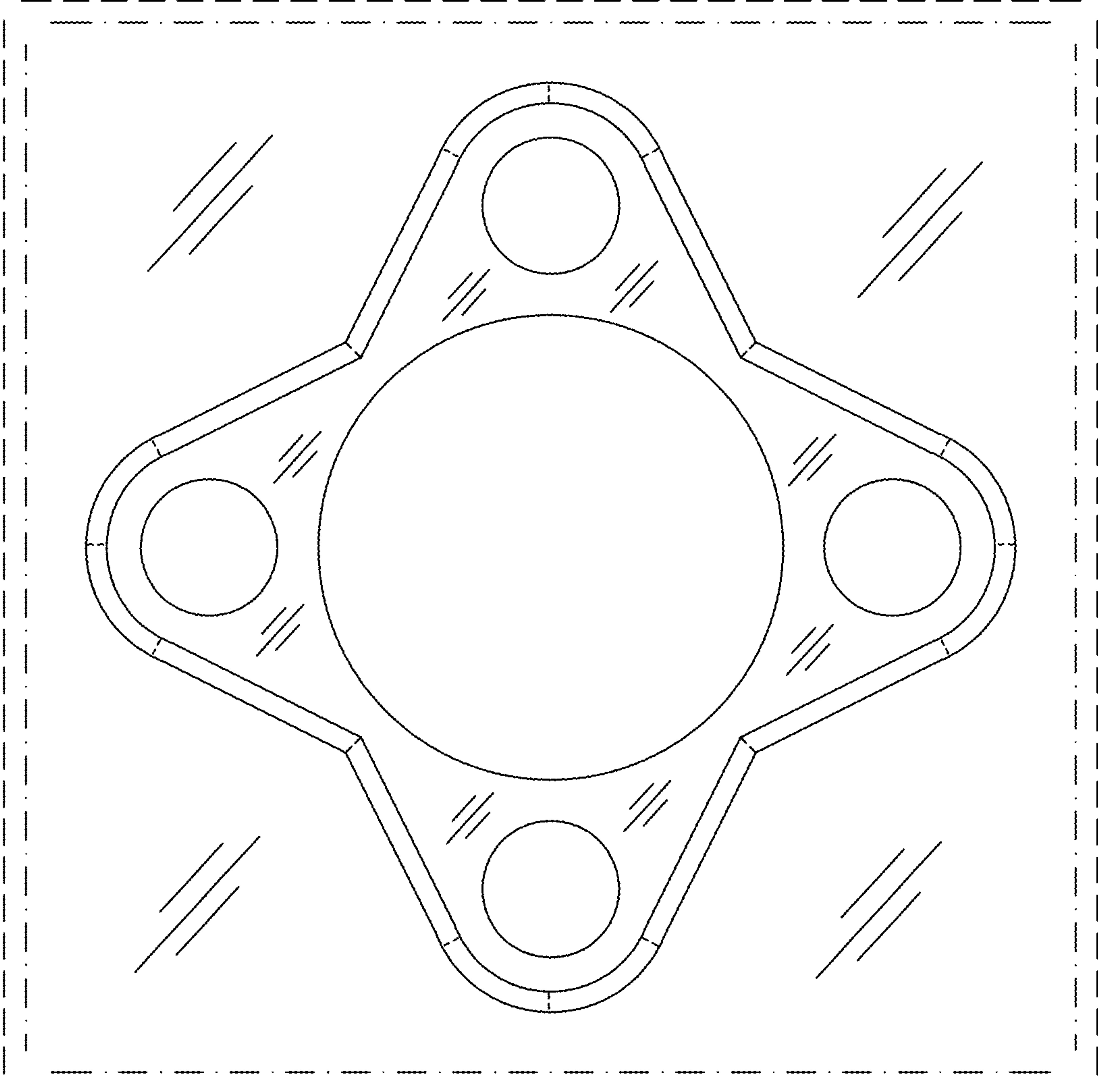


FIG. 4

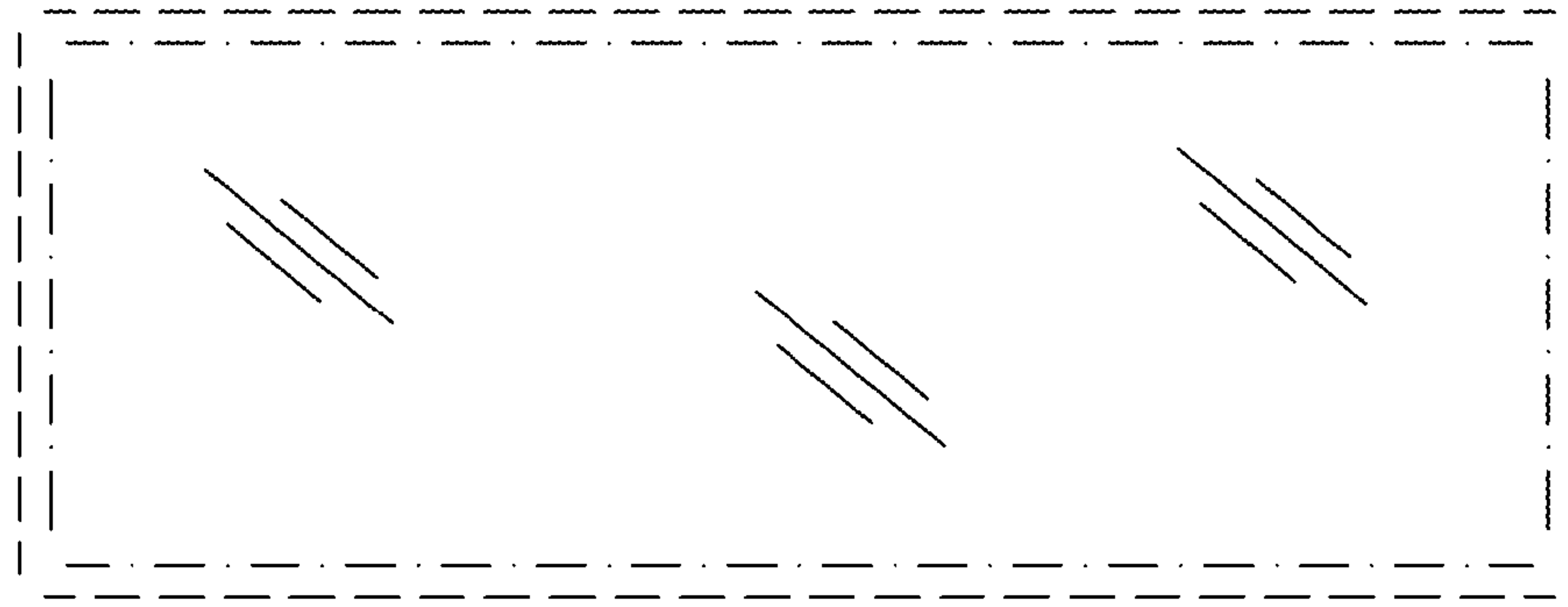


FIG. 5

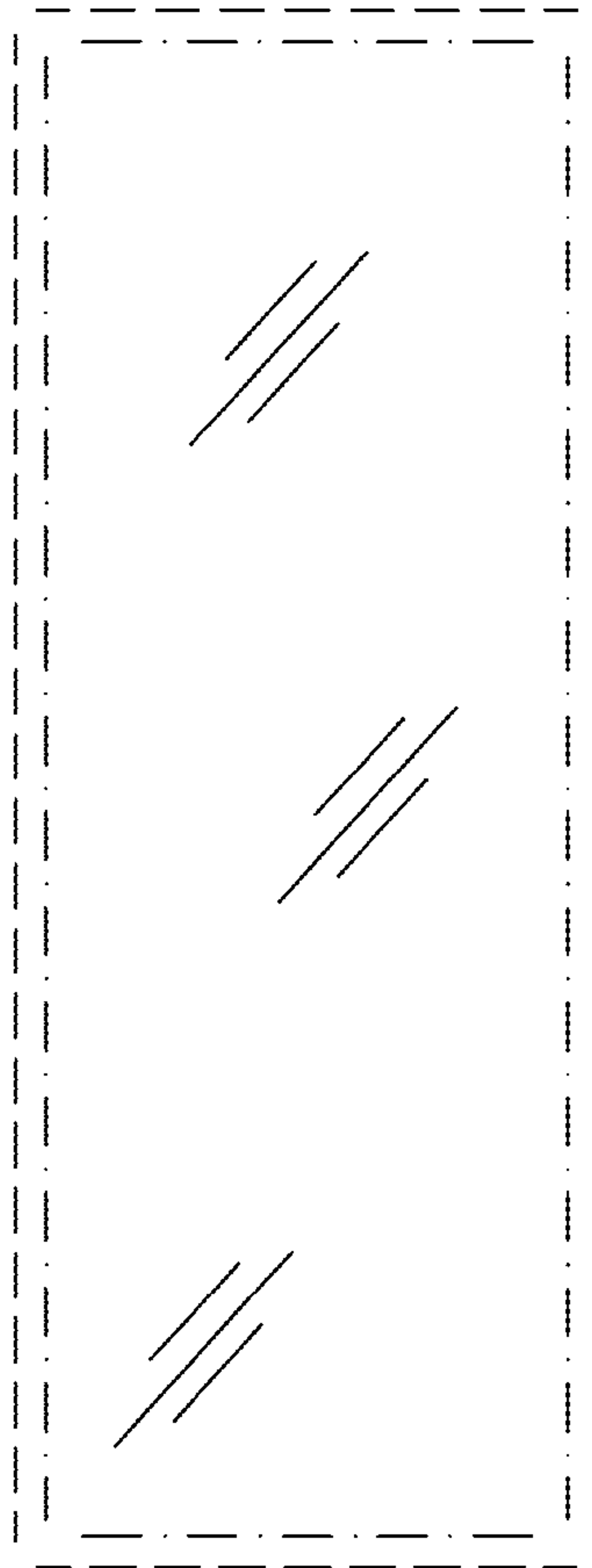


FIG. 6

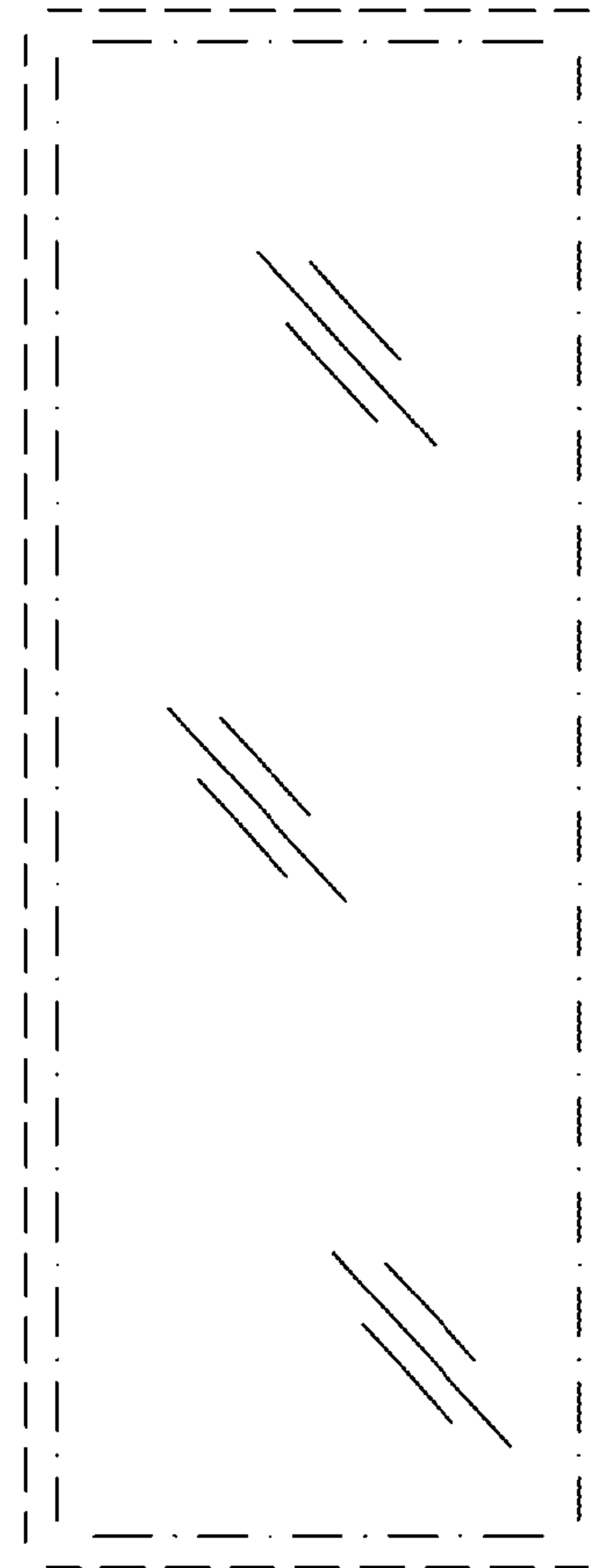


FIG. 7

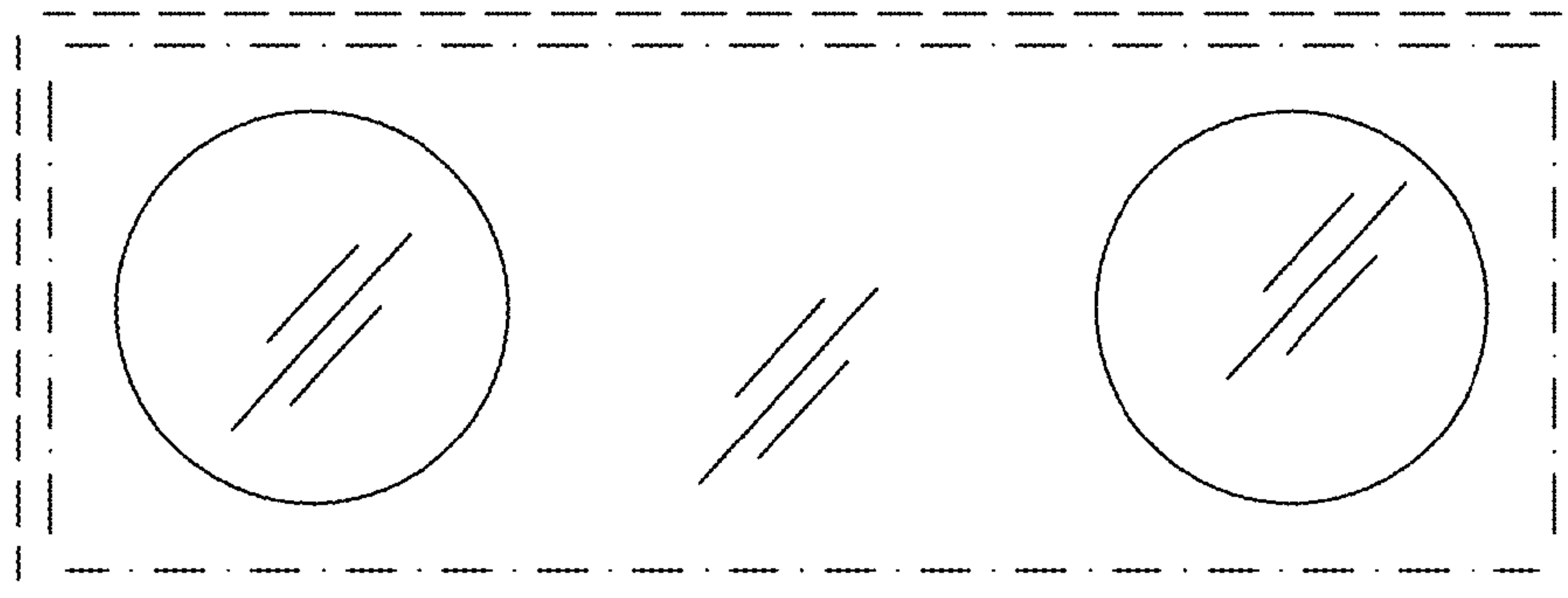


FIG. 8

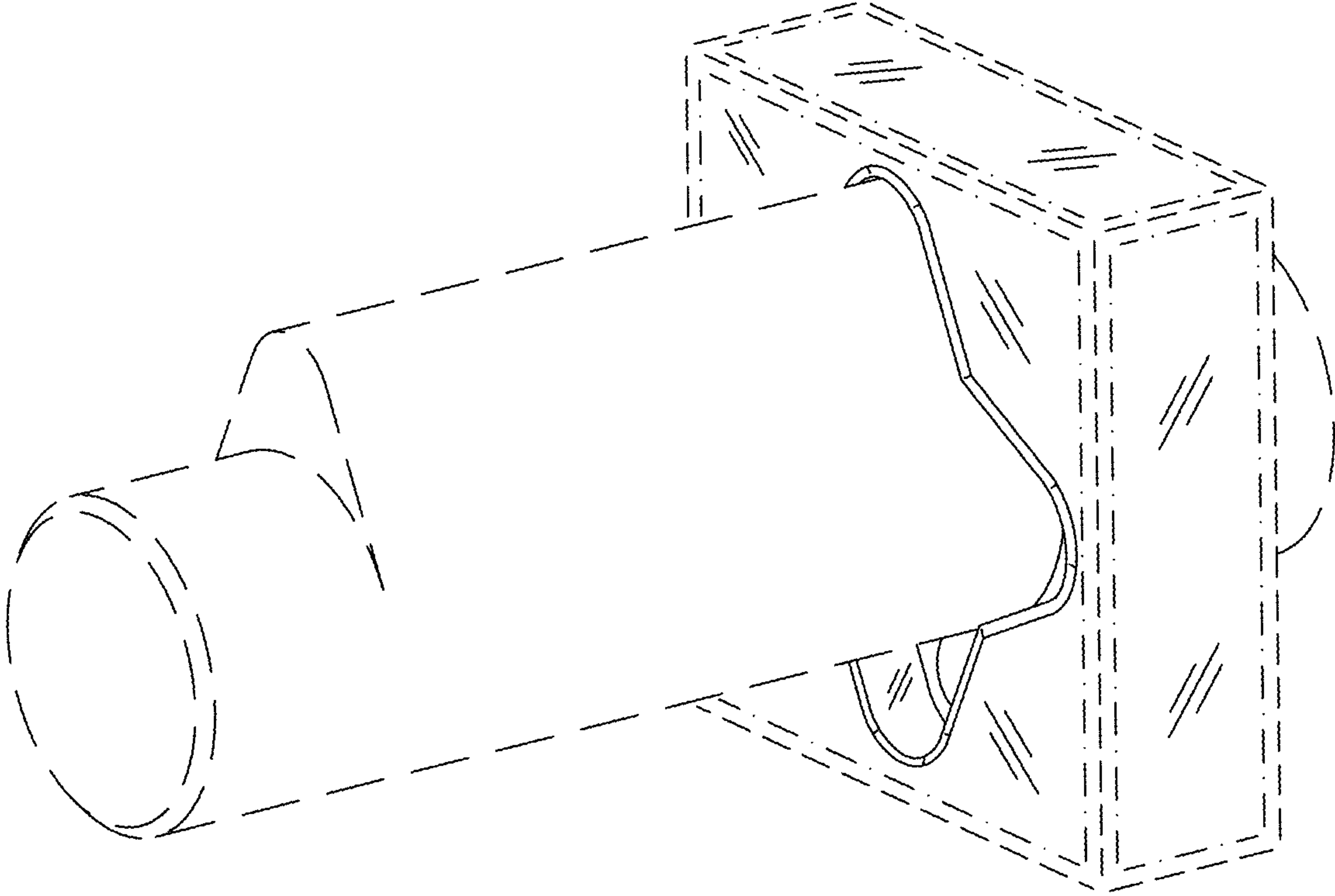


FIG. 9