

US00D939324S

(12) **United States Design Patent** (10) **Patent No.:** **US D939,324 S**
Lekkas (45) **Date of Patent:** **** Dec. 28, 2021**

(54) **BOAT LATCH**
(71) Applicant: **Dalex Products Pty Ltd**, Fitzroy (AU)
(72) Inventor: **Athan Lekkas**, Fitzroy (AU)
(73) Assignee: **DALEXT PRODUCTS PTY LTD.**
(**) Term: **15 Years**
(21) Appl. No.: **29/739,149**
(22) Filed: **Jun. 23, 2020**

4,623,161 A 11/1986 Sprangue
4,641,851 A 2/1987 Knies
5,263,733 A 11/1993 Kastenberger et al.
5,309,742 A * 5/1994 Lawrence B63H 20/02
70/14
D375,248 S * 11/1996 Bryant D8/344
5,599,035 A * 2/1997 Spence B60P 3/1066
280/414.1
5,683,214 A 11/1997 Jeffreys
5,895,185 A 4/1999 Spence
D468,994 S * 1/2003 Votruba D8/343
D525,859 S * 8/2006 Eichert D8/344
D577,571 S * 9/2008 Stevens D8/343

(30) **Foreign Application Priority Data**
Dec. 24, 2019 (AU) 201917437
(51) **LOC (13) Cl.** **08-07**
(52) **U.S. Cl.**
USPC **D8/343**
(58) **Field of Classification Search**
USPC D8/343
CPC B60P 3/1083; B60P 3/1066; B60P 3/1058;
B60P 3/079; E05B 73/007; E05B 73/0076
See application file for complete search history.

FOREIGN PATENT DOCUMENTS

AU 2002100481 11/2002
AU 2002300834 6/2003

* cited by examiner

Primary Examiner — Doris Clark
(74) *Attorney, Agent, or Firm* — Sand, Sebolt & Wernow
Co., LPA

(57) **CLAIM**

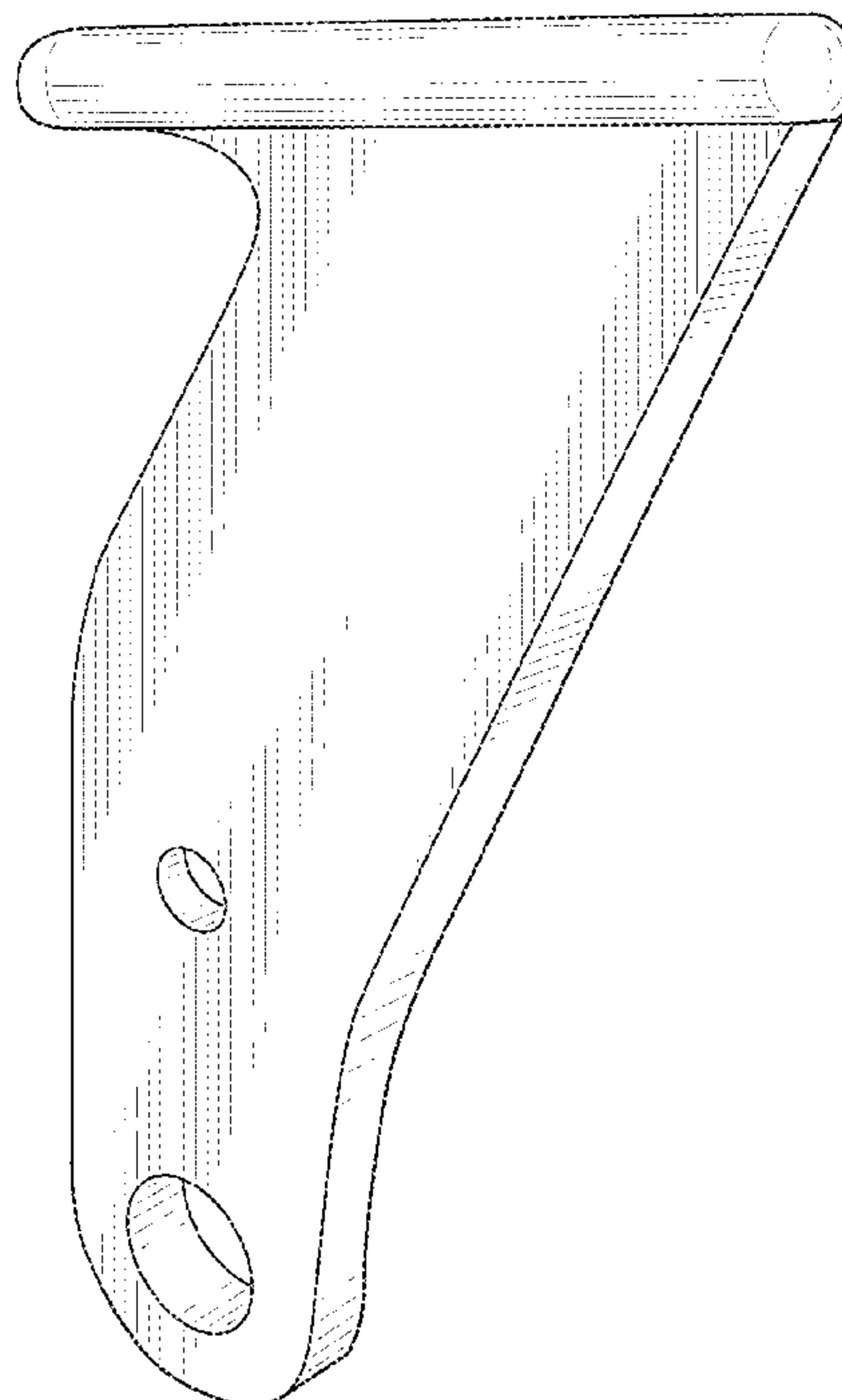
The ornamental design for a boat latch, as shown and described.

(56) **References Cited**
U.S. PATENT DOCUMENTS
2,570,332 A * 10/1951 Enrico E05B 73/0076
70/58
2,677,264 A * 5/1954 Hanaford, Jr. E05B 73/0076
70/230
2,726,532 A * 12/1955 Bonnell E05B 73/0076
70/58
3,893,312 A * 7/1975 Johnson E05B 73/0076
70/58
4,463,965 A 8/1984 Lawson

DESCRIPTION

FIG. 1 is a perspective view of a boat latch in accordance with my design;
FIG. 2 is a front elevation view thereof;
FIG. 3 is a top perspective view thereof;
FIG. 4 is a bottom perspective view thereof;
FIG. 5 is a right side perspective view thereof; and,
FIG. 6 is a left side perspective view thereof.

1 Claim, 6 Drawing Sheets



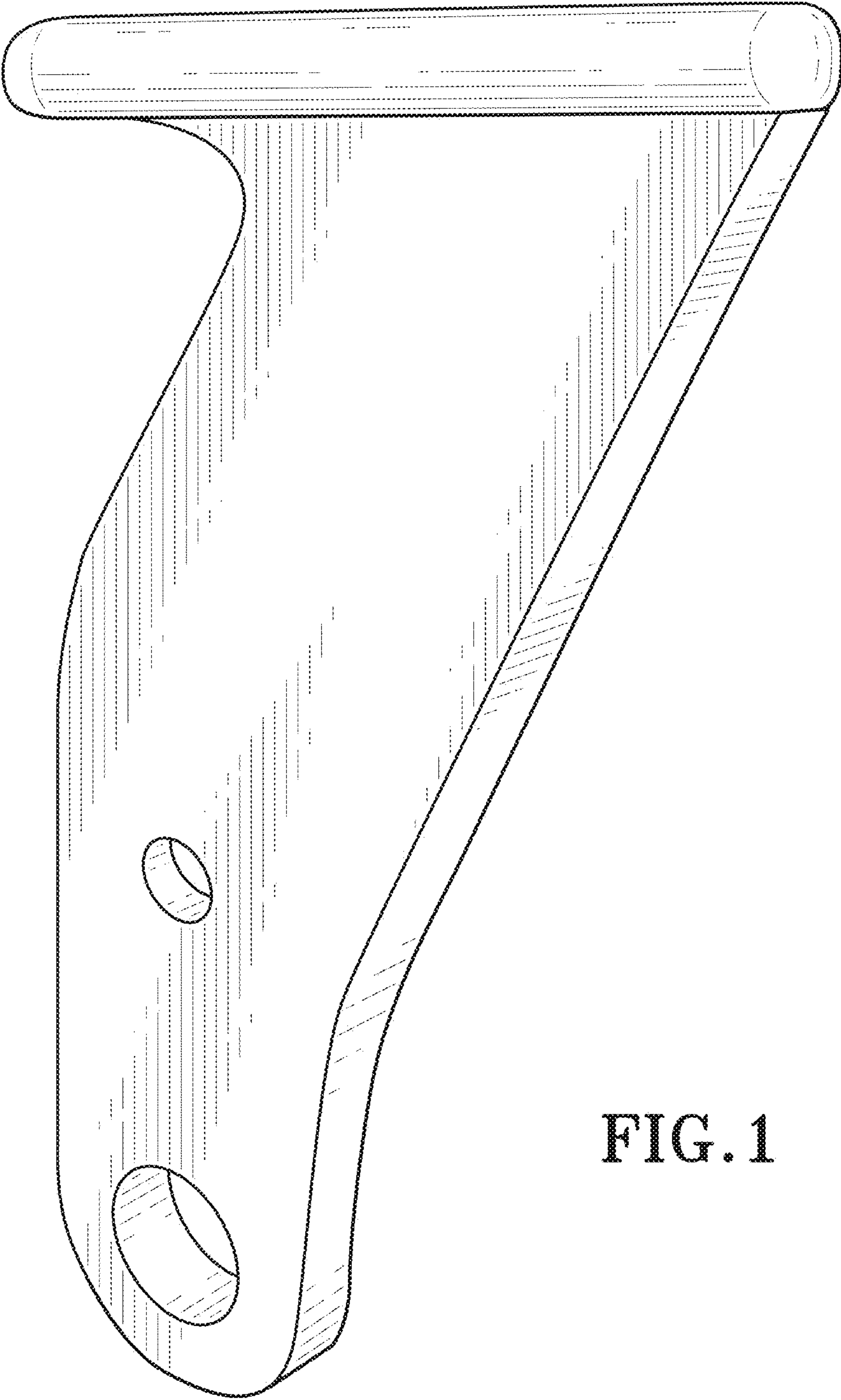


FIG. 1

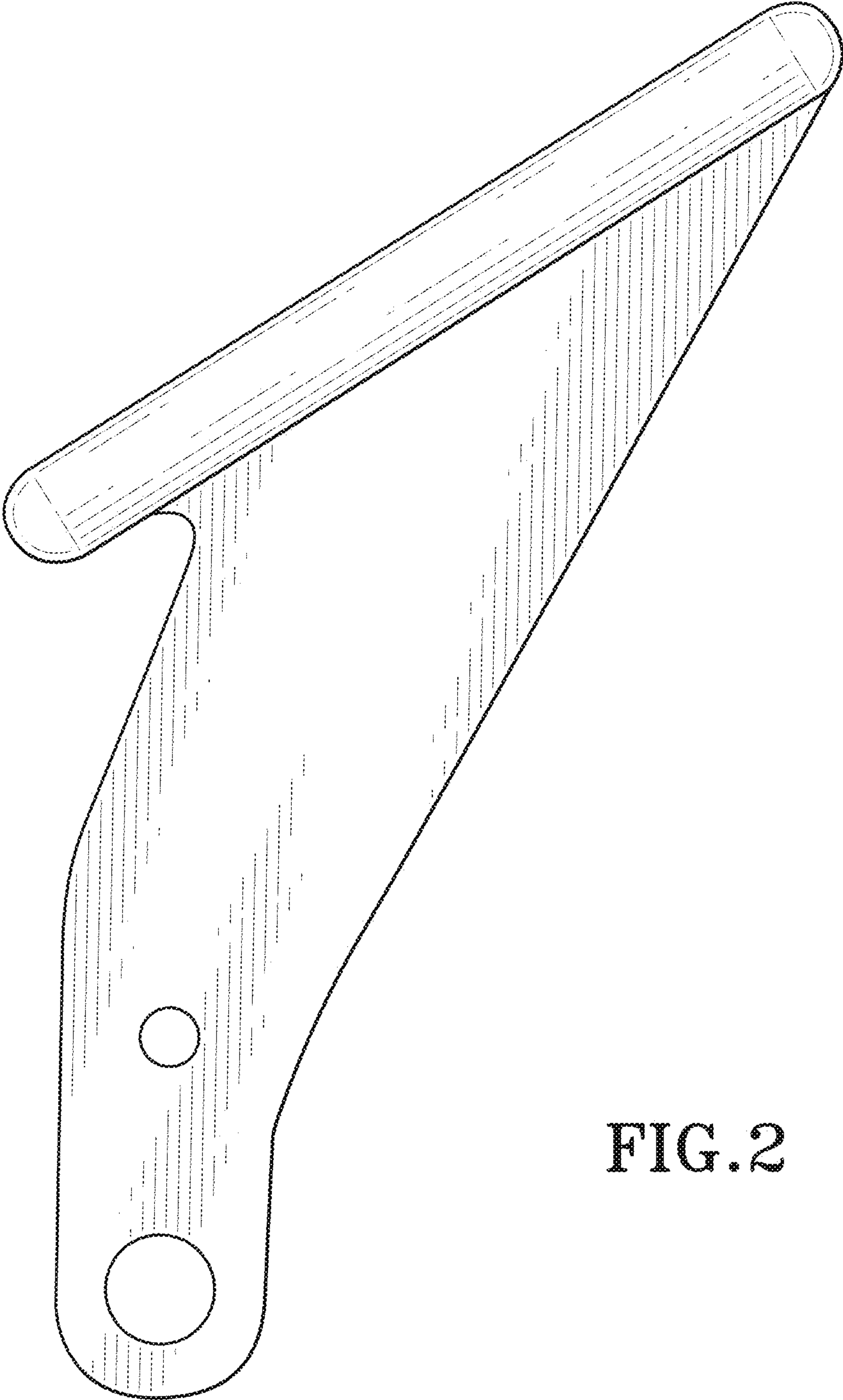


FIG. 2

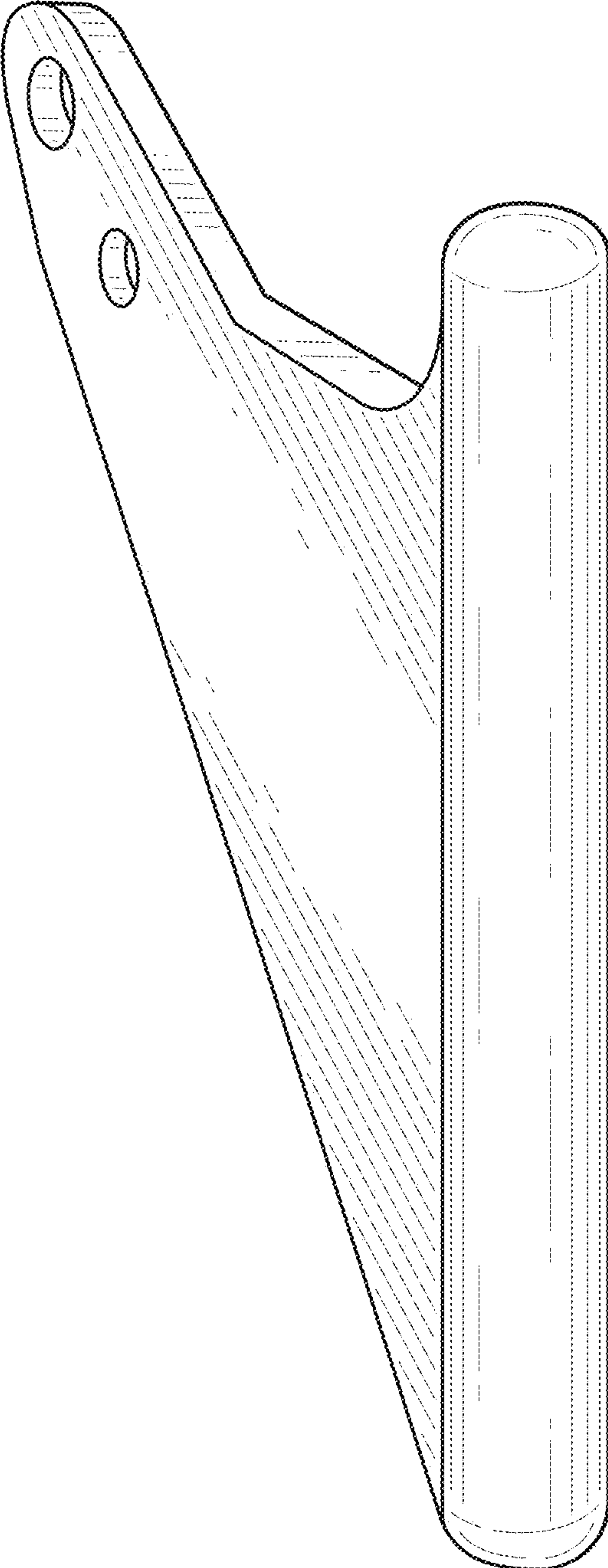


FIG. 3

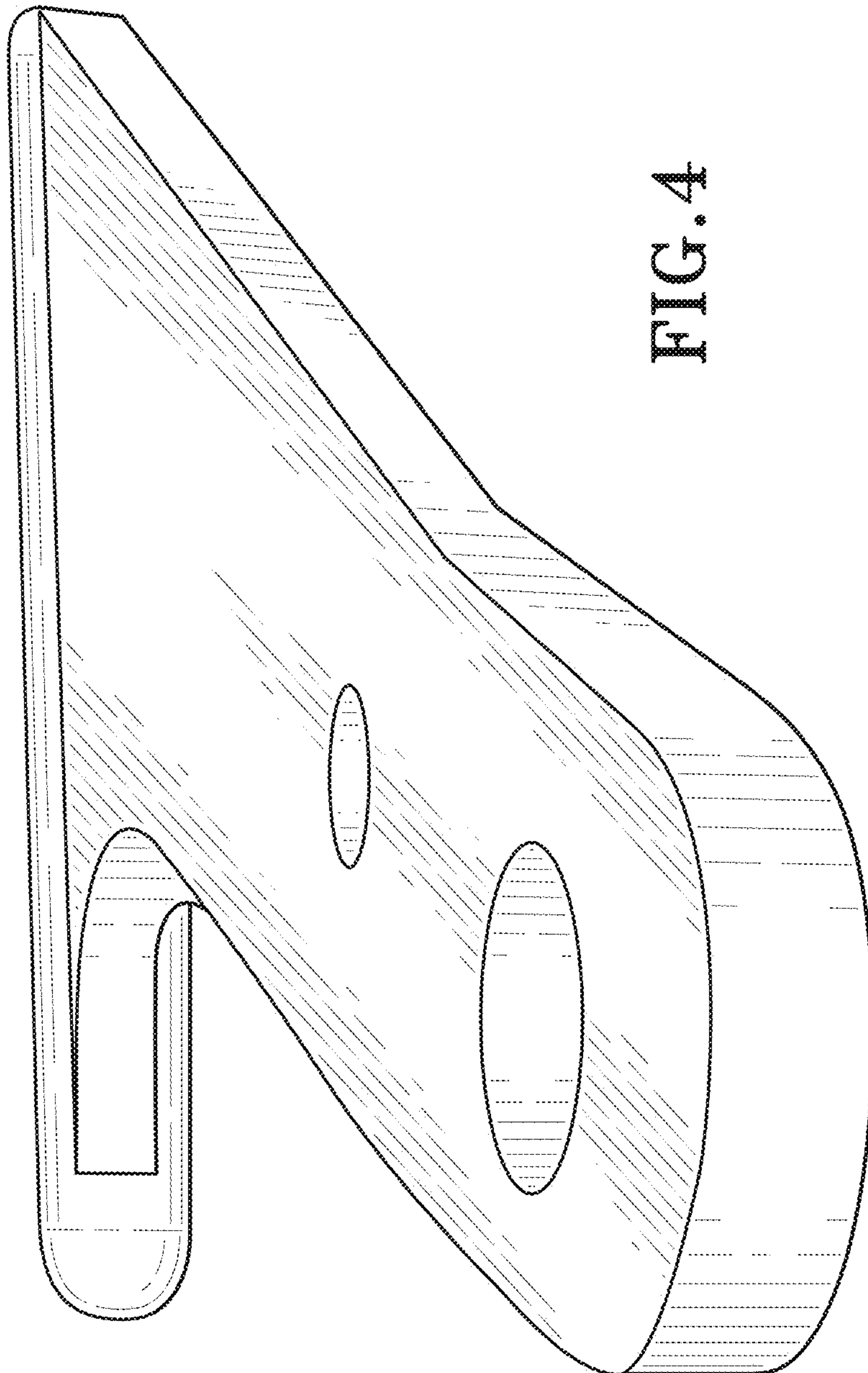


FIG. 4

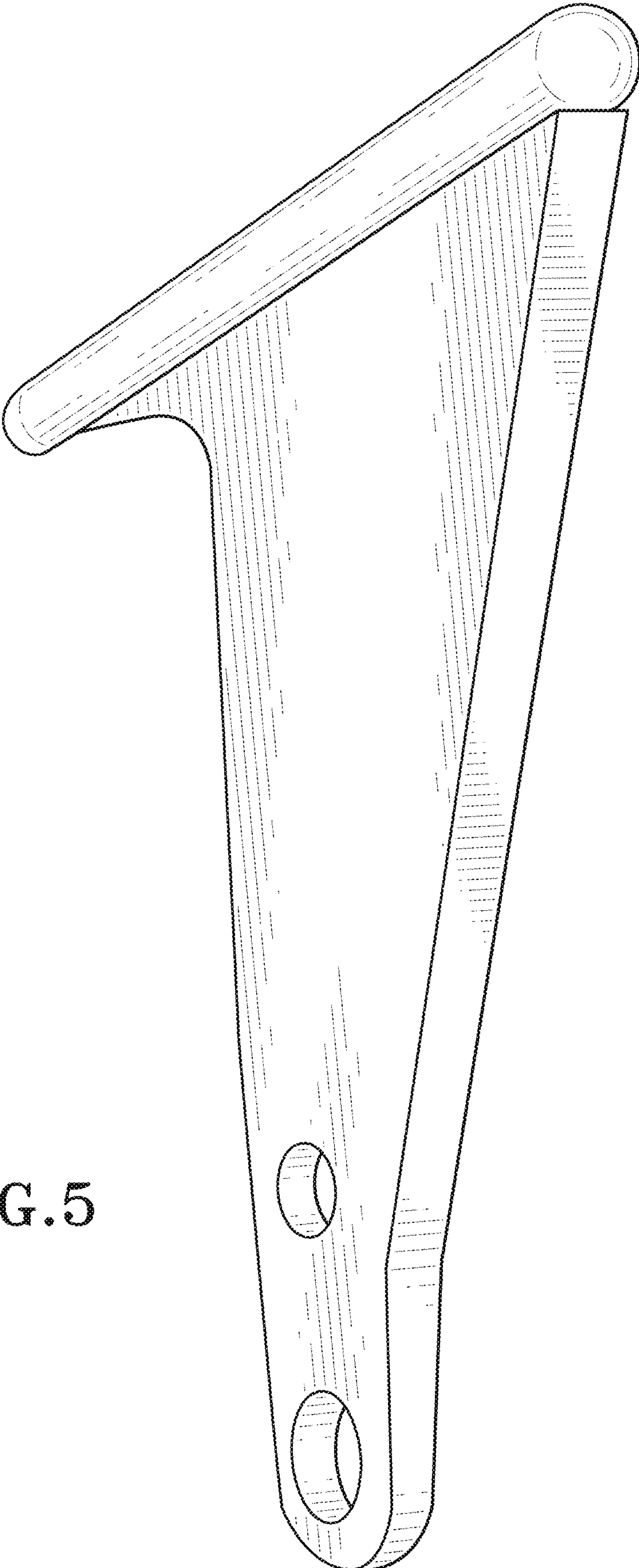


FIG. 5

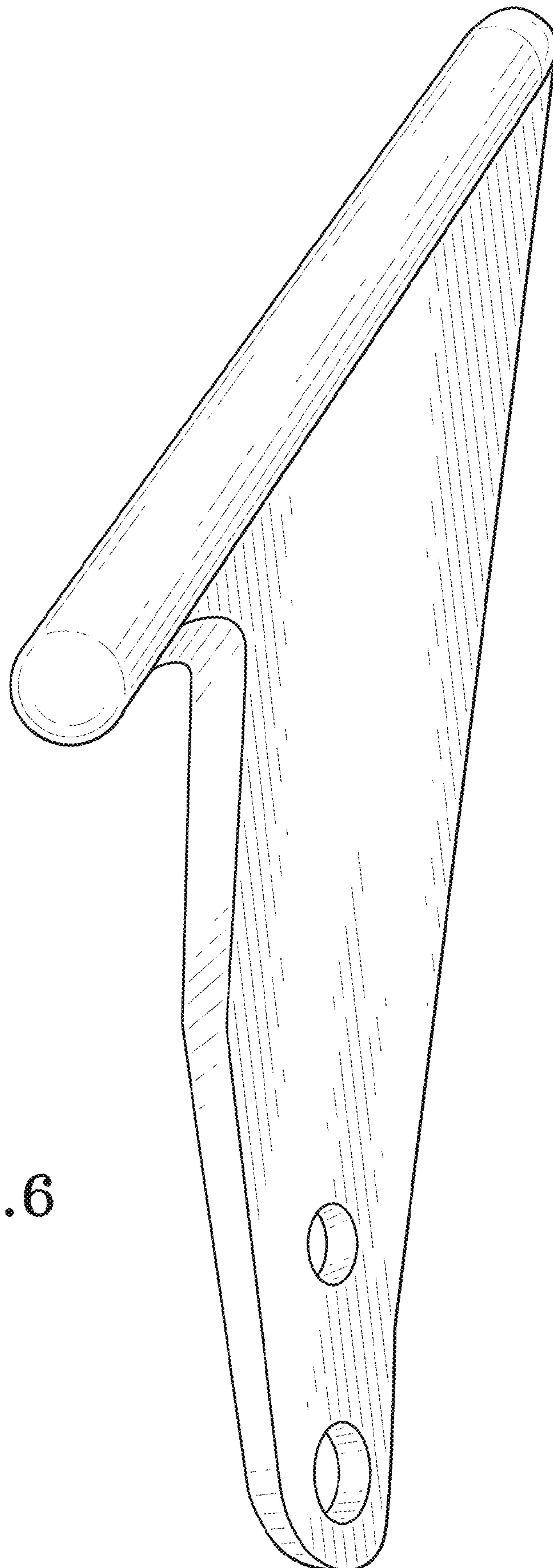


FIG. 6