



US00D939316S

(12) **United States Design Patent**  
**Roberts, III**

(10) **Patent No.:** **US D939,316 S**  
(45) **Date of Patent:** **\*\* Dec. 28, 2021**

- (54) **KNOB**
- (71) Applicant: **Schlage Lock Company LLC**, Carmel, IN (US)
- (72) Inventor: **Rockwood T. Roberts, III**, Carmel, IN (US)
- (73) Assignee: **Schlage Lock Company LLC**, Carmel, IN (US)
- (\*\*) Term: **15 Years**
- (21) Appl. No.: **29/747,329**
- (22) Filed: **Aug. 21, 2020**
- (51) **LOC (13) Cl.** ..... **08-06**
- (52) **U.S. Cl.**  
USPC ..... **D8/307**
- (58) **Field of Classification Search**  
USPC ..... D8/300, 307, 310; D7/393; D23/250, D23/252, 254  
CPC ... Y10T 292/57; Y10T 16/469; Y10T 292/82; Y10T 74/2084; Y10T 292/85; Y10T 16/458; Y10T 16/506; Y10T 70/5155; Y10T 16/46; Y10T 16/4559; Y10T 74/20828; Y10T 70/8541; Y10T 74/20612; Y10T 16/459; Y10T 16/487; Y10T 70/5389; Y10T 16/462; Y10T 16/4636; E05B 1/0007; E05B 3/00; Y10S 16/30; Y10S 292/53; Y10S 292/27  
See application file for complete search history.

4,766,642 A *	8/1988	Gaffney	.....	B25G 3/30
				16/441
4,790,208 A *	12/1988	Johnson	.....	G05G 1/12
				16/441
D299,198 S *	1/1989	Gregory	.....	D6/542
D327,530 S *	6/1992	Rawald	.....	D23/250
5,255,413 A *	10/1993	Sabo	.....	A47B 95/02
				16/417
D570,184 S *	6/2008	Ricereto	.....	D8/307
D579,303 S *	10/2008	Schneider	.....	D8/307
D718,603 S *	12/2014	Ramsland	.....	D8/307
D729,033 S *	5/2015	Zimmer	.....	D8/307
D833,249 S *	11/2018	Lowe	.....	D8/307
D922,850 S *	6/2021	Chen	.....	D8/302

\* cited by examiner

*Primary Examiner* — Lauren R Calve  
(74) *Attorney, Agent, or Firm* — Taft Stettinius & Hollister LLP

(57) **CLAIM**

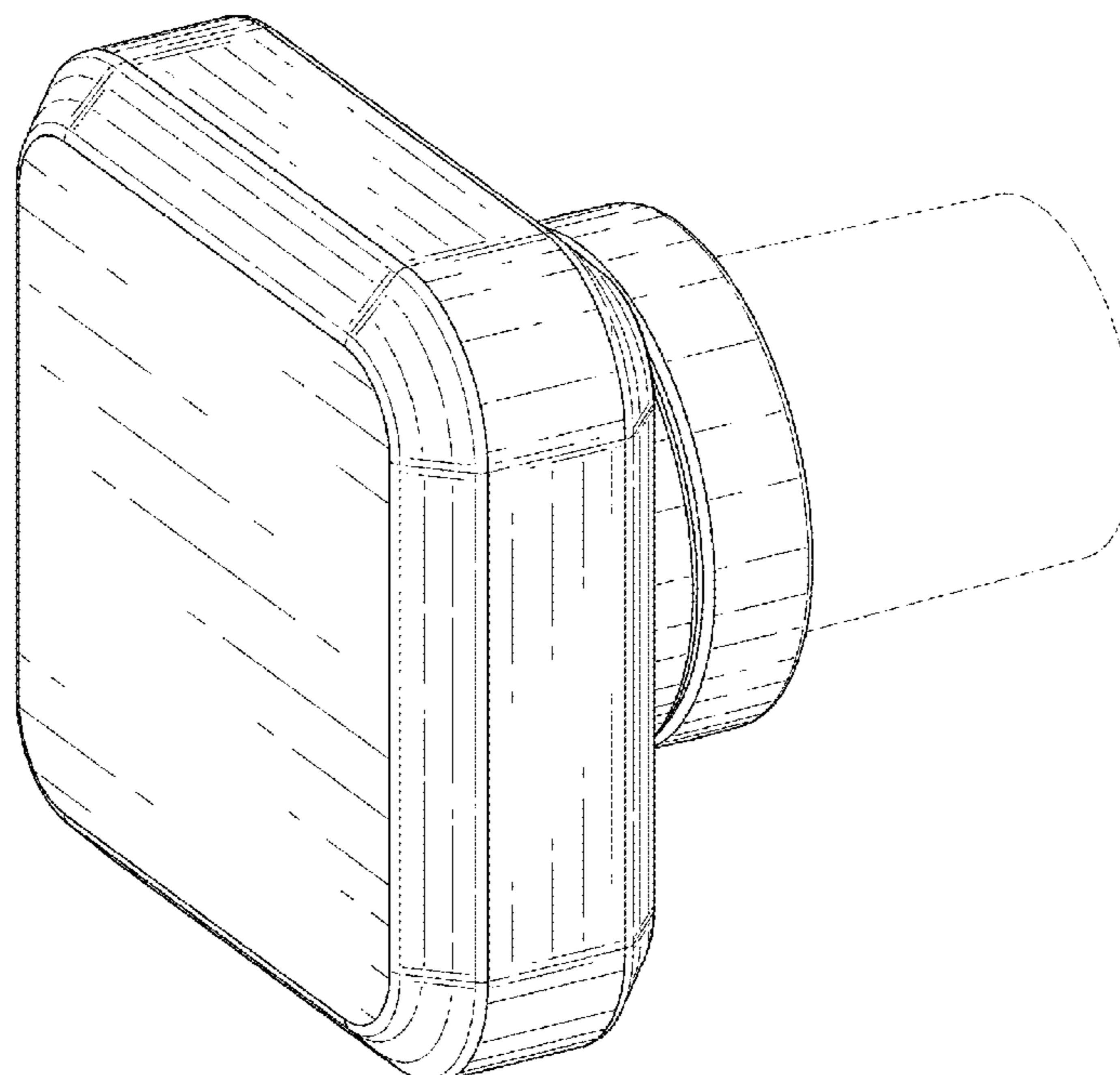
The ornamental design for a knob, as shown and described.

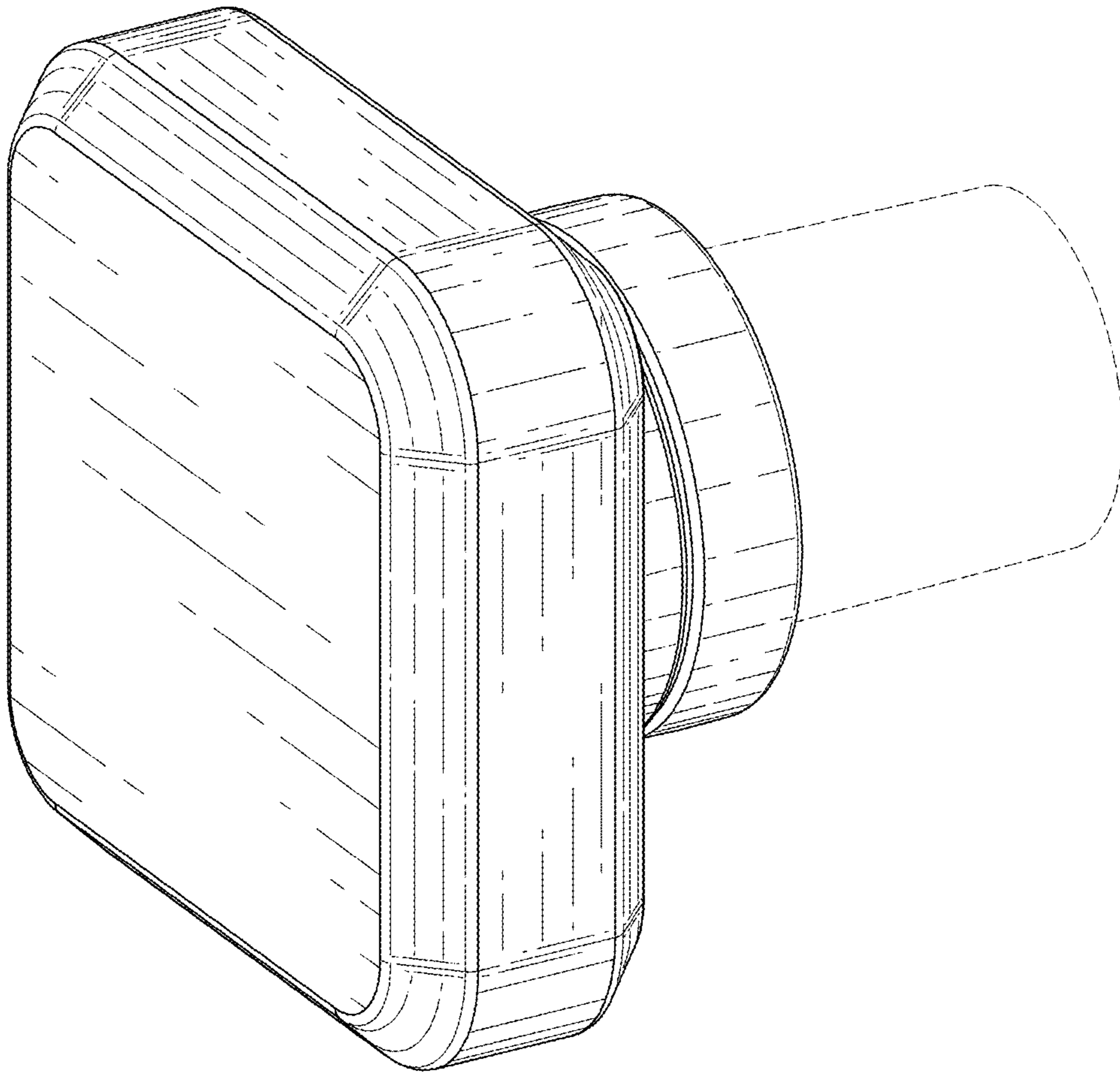
**DESCRIPTION**

FIG. 1 is a front, top, right side perspective view of a knob showing my new design;  
FIG. 2 is a rear, bottom, left side perspective view thereof;  
FIG. 3 is a front elevational view thereof;  
FIG. 4 is a top plan view thereof;  
FIG. 5 is a bottom plan view thereof;  
FIG. 6 is a right side elevational view thereof; and,  
FIG. 7 is a left side elevational view thereof.  
The broken lines in the drawing figures form no part of the claimed design.

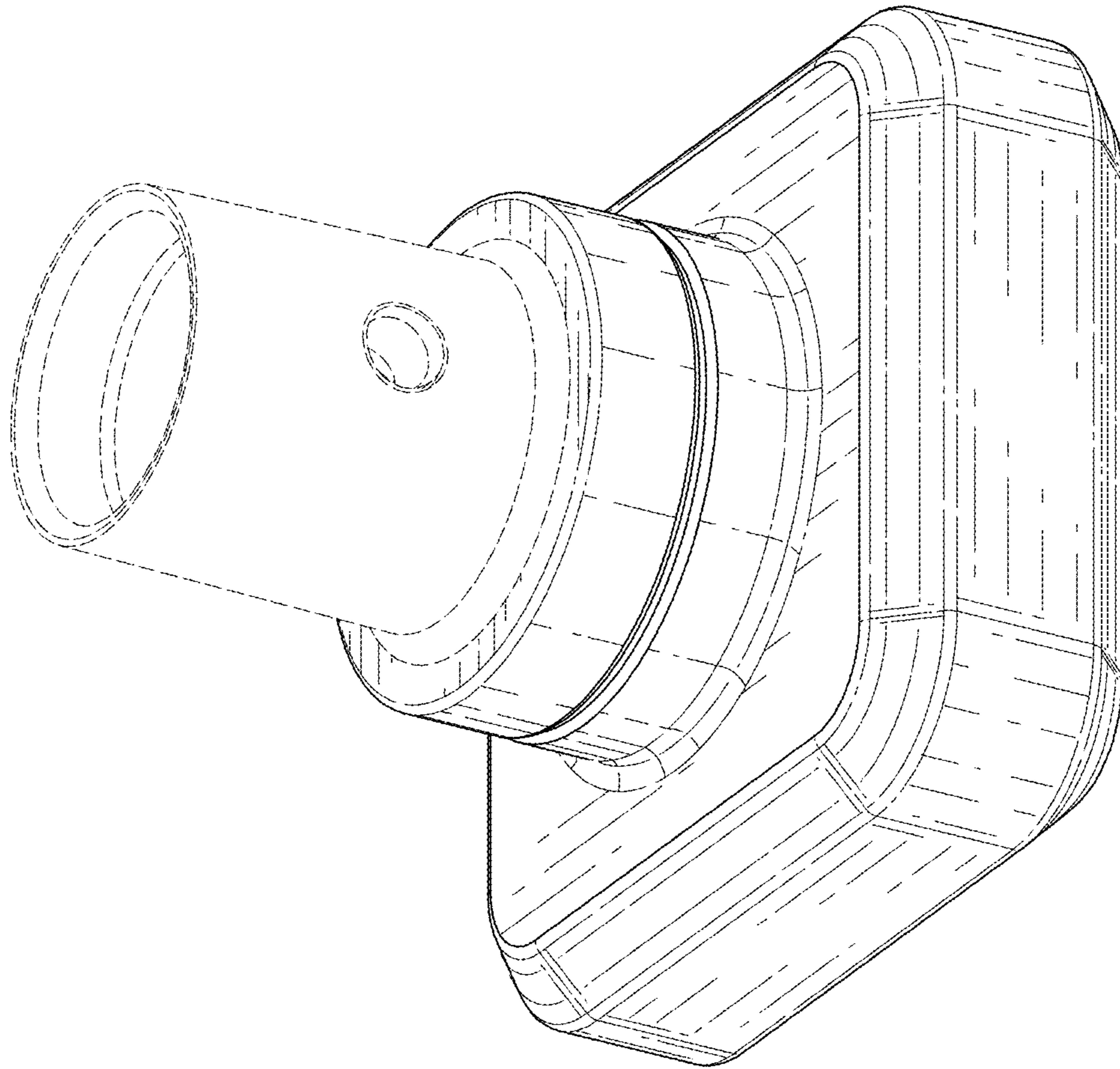
**1 Claim, 5 Drawing Sheets**

- (56) **References Cited**  
U.S. PATENT DOCUMENTS  
2,679,913 A \* 6/1954 Scott ..... E05B 1/0015  
403/273  
D224,225 S \* 7/1972 Doman ..... D23/250

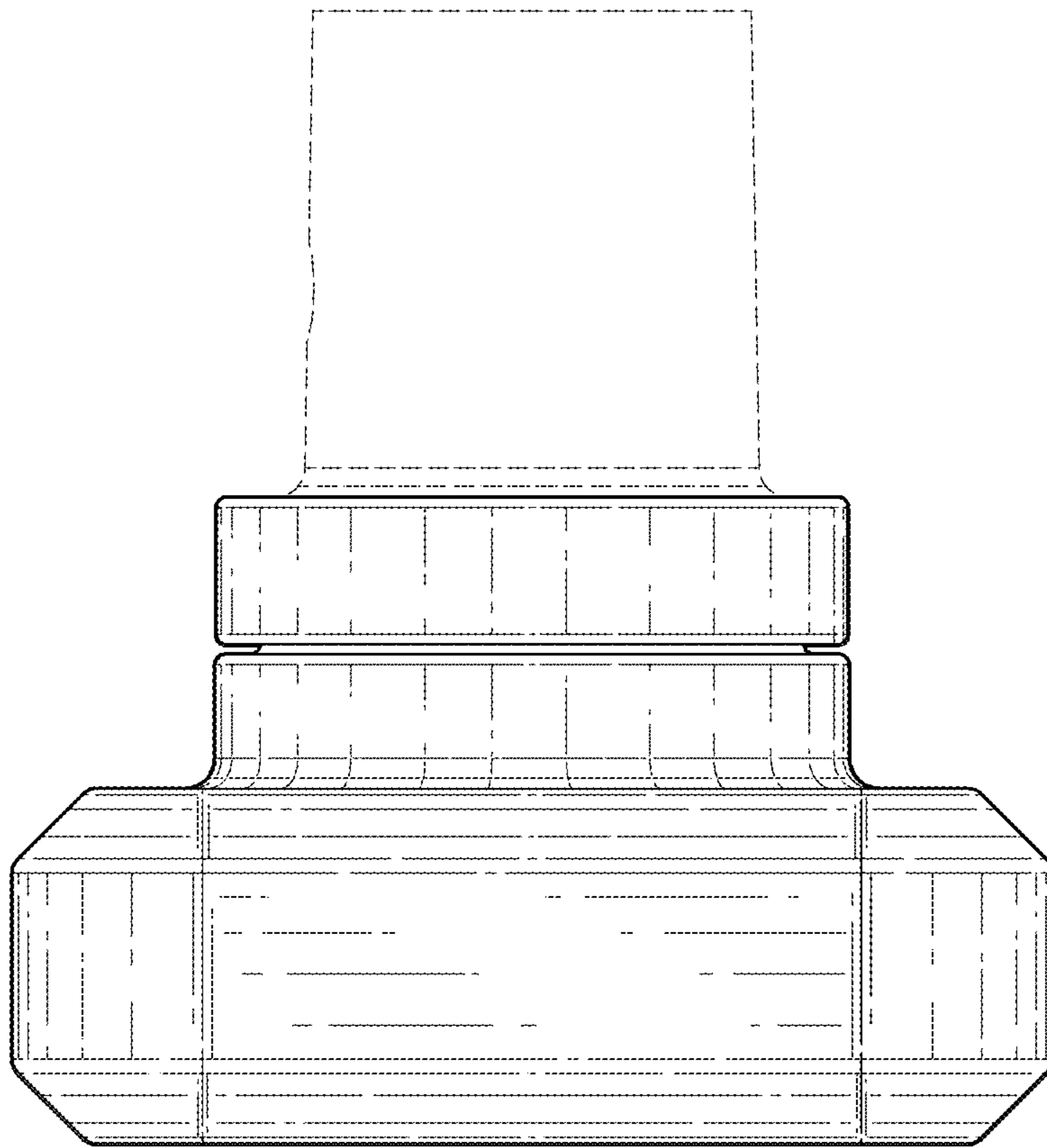




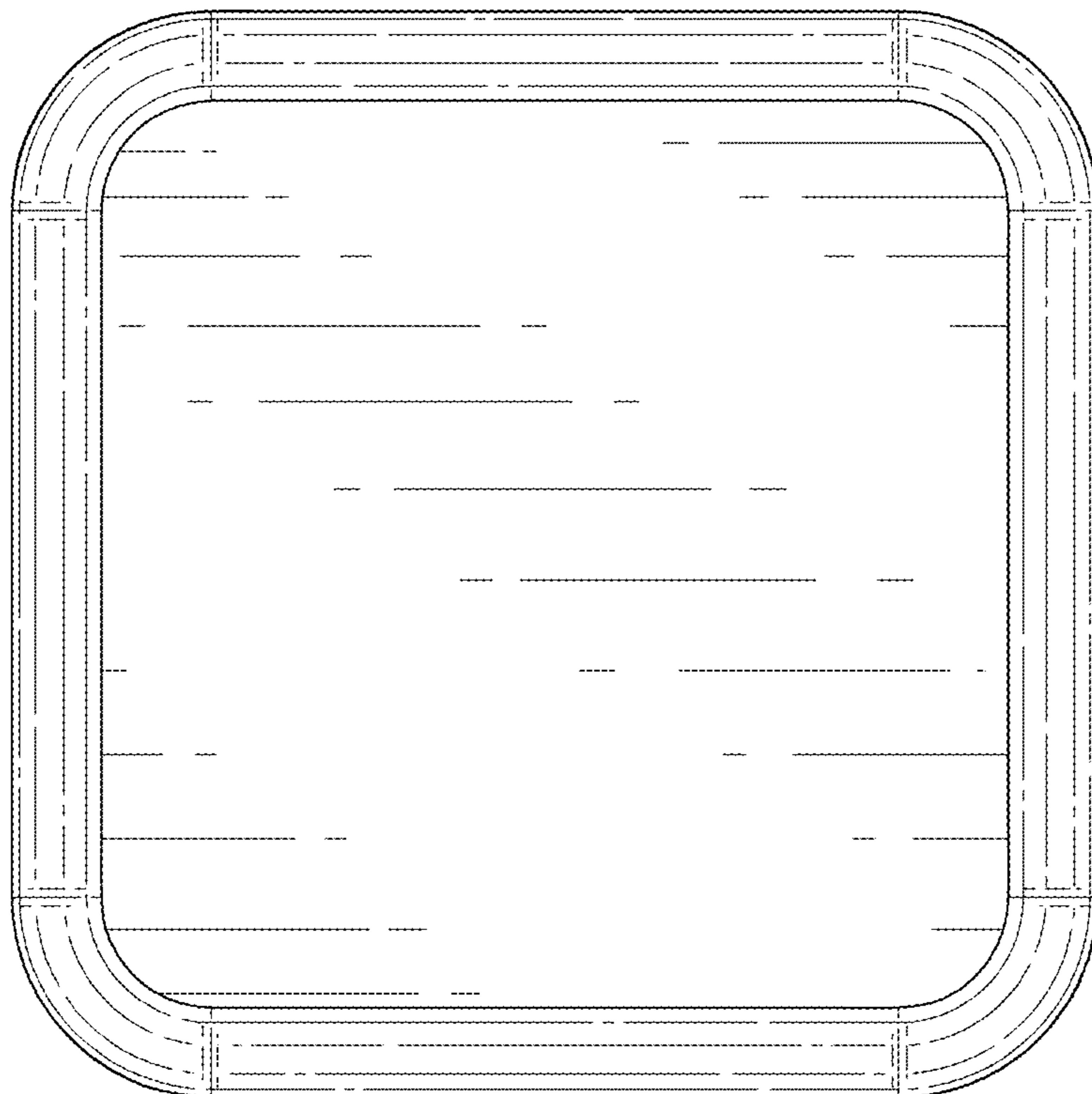
**Fig. 1**



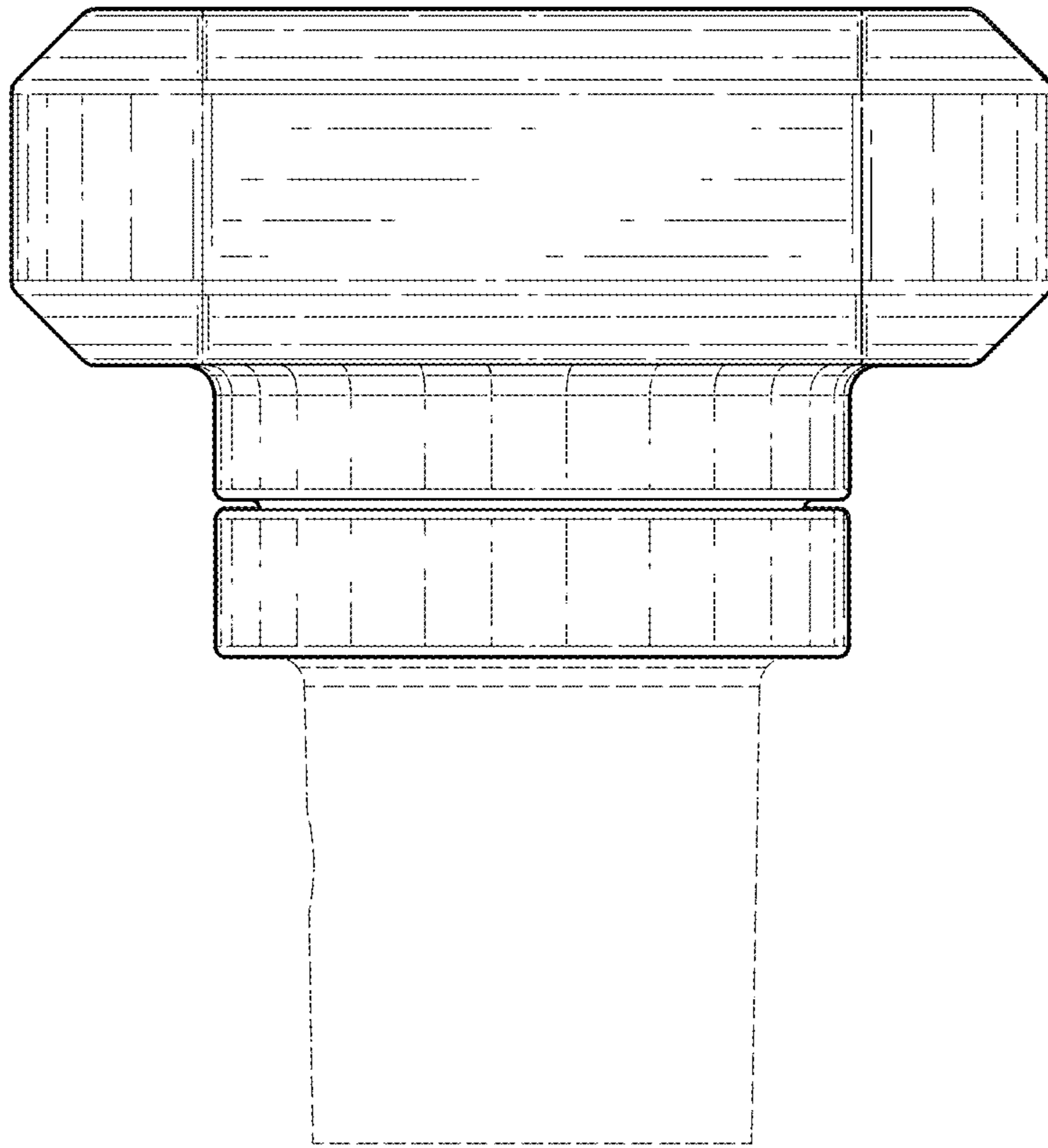
**Fig. 2**



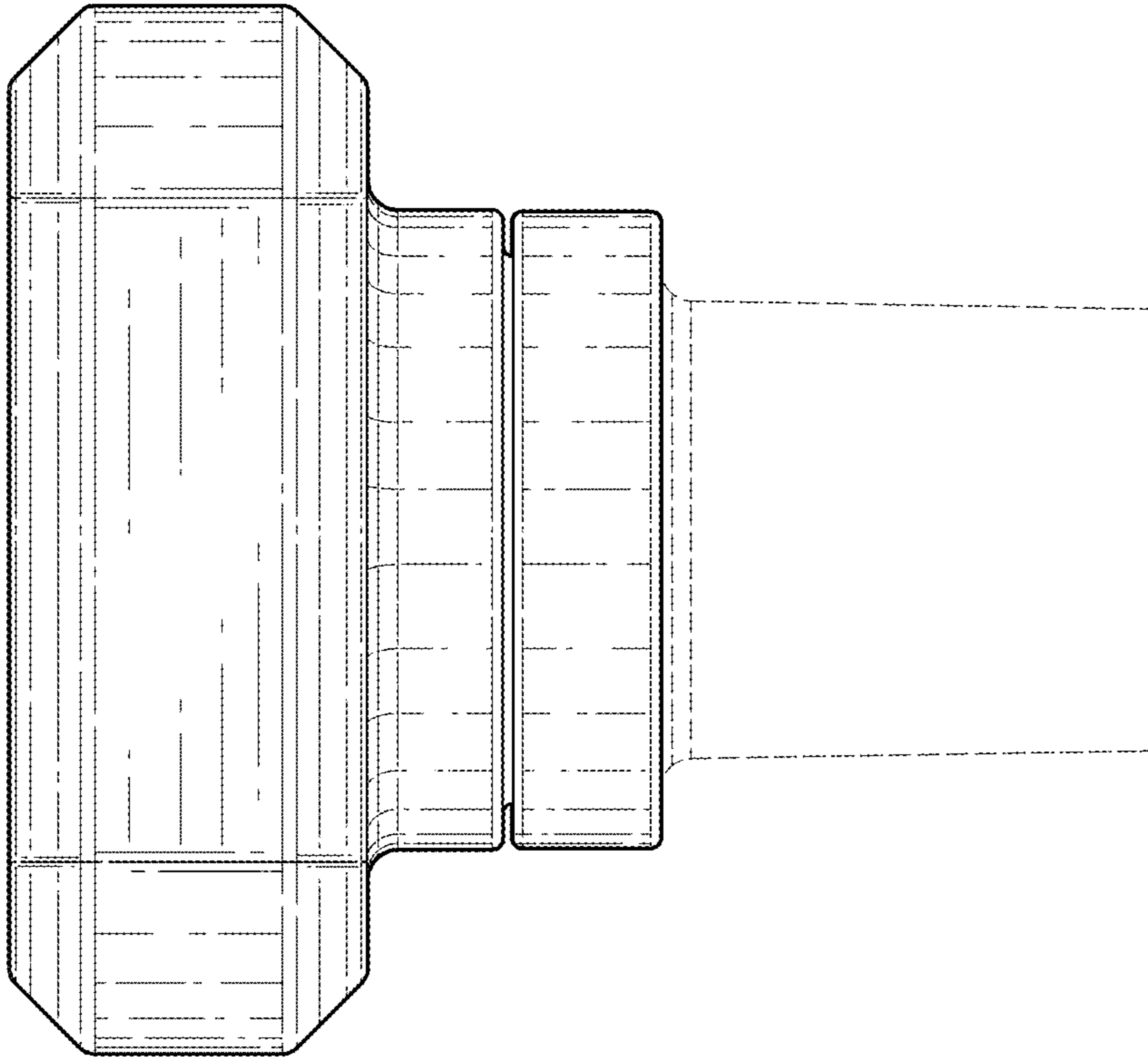
**Fig. 4**



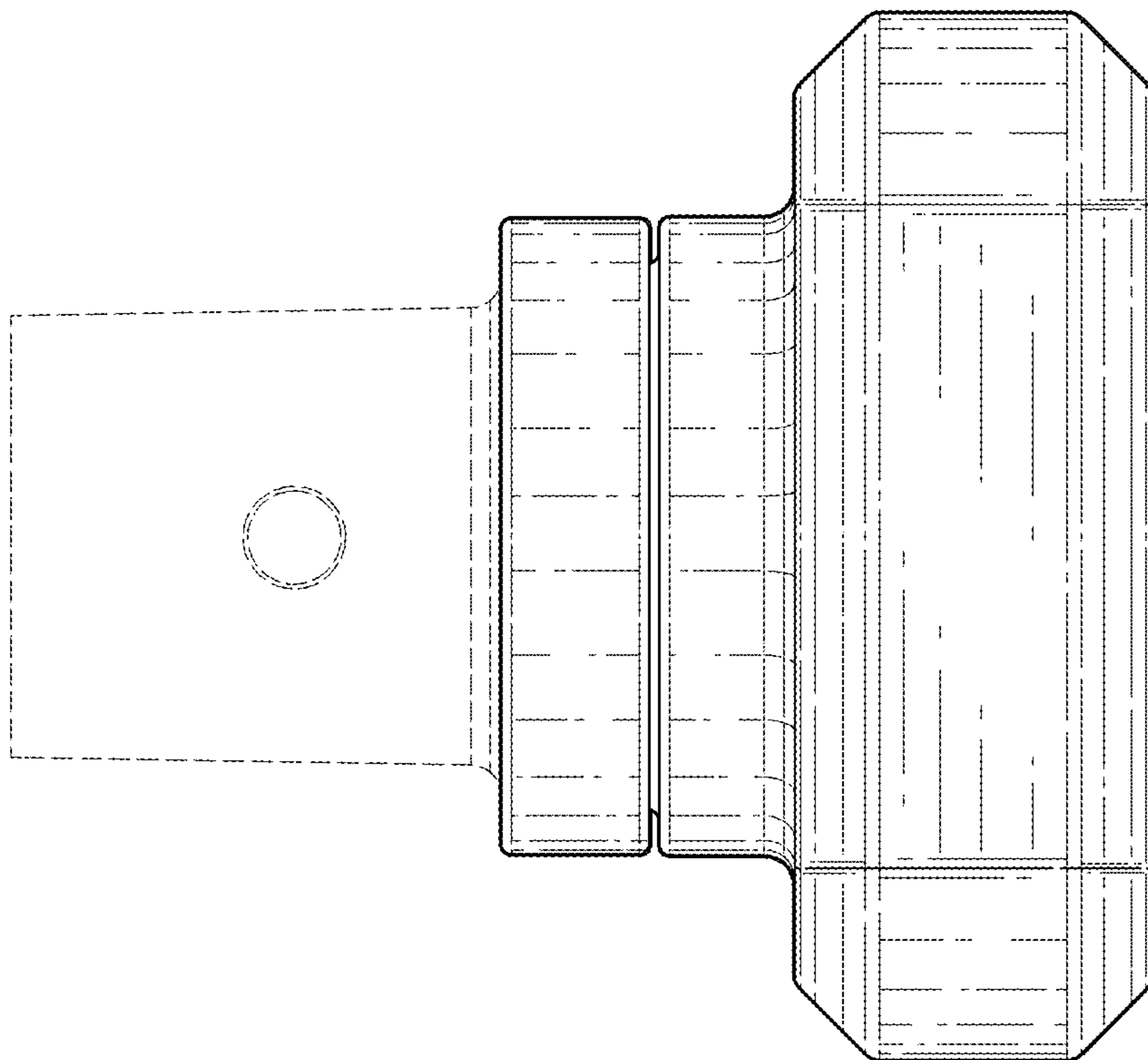
**Fig. 3**



**Fig. 5**



**Fig. 6**



**Fig. 7**